



US00D737184S

(12) **United States Design Patent**
Oosuda et al.

(10) **Patent No.:** **US D737,184 S**

(45) **Date of Patent:** **** Aug. 25, 2015**

(54) **STEERING WHEEL UNIT FOR AN
AUTOMOBILE**

(71) Applicant: **Nissan Motor Co., Ltd.**, Yokohama,
Kanagawa (JP)

(72) Inventors: **Takashi Oosuda**, Kanagawa (JP);
Yosuke Takaki, Kanagawa (JP)

(73) Assignee: **Nissan Motor Co., Ltd.**, Yokohama (JP)

(**) Term: **14 Years**

(21) Appl. No.: **29/476,505**

(22) Filed: **Dec. 13, 2013**

(30) **Foreign Application Priority Data**

Jun. 19, 2013 (JP) 2013-013823

(51) **LOC (10) Cl.** **12-16**

(52) **U.S. Cl.**
USPC **D12/175**

(58) **Field of Classification Search**
USPC D12/174, 175, 176, 177, 192, 345;
D21/385, 477, 566, 333; D14/401,
D14/414; 296/70; 219/204; 74/558.5, 558,
74/552, 492; 280/731, 750, 775;
200/61.57, 61.55; 180/9.38, 402;
463/36
CPC B60R 16/037; B62D 1/00; B62D 1/02;
B62D 1/04; B62D 1/16; B62D 5/003
See application file for complete search history.

(56) **References Cited**

U.S. PATENT DOCUMENTS

D297,028 S * 8/1988 McCann D21/566
D316,879 S * 5/1991 Shulman et al. D14/414
D328,315 S * 7/1992 Shulman D14/414
D380,503 S * 7/1997 Tyler D21/385
D395,464 S * 6/1998 Shiibashi et al. D21/385

D406,804 S * 3/1999 Sacco et al. D12/175
D423,433 S * 4/2000 Micelli et al. D12/192
D433,077 S * 10/2000 Yamazaki D21/477
6,494,287 B2 * 12/2002 Nigrin et al. 180/402
D470,445 S * 2/2003 Wiedeman et al. D12/175
D497,365 S * 10/2004 Hussaini et al. D14/414
D510,896 S * 10/2005 Hoelzel et al. D12/175
D522,516 S * 6/2006 Hussaini et al. D14/414
D568,409 S * 5/2008 Ikeda et al. D21/333
D569,773 S * 5/2008 Niebuhr D12/177
D573,198 S * 7/2008 Bramfitt D21/333

(Continued)

FOREIGN PATENT DOCUMENTS

JP D1086961 S 10/2000
JP D1092346 S 12/2000

(Continued)

Primary Examiner — Eric Goodman

Assistant Examiner — Clese Moore, Jr.

(74) *Attorney, Agent, or Firm* — Global IP Counselors, LLP

(57) **CLAIM**

The ornamental design for a steering wheel unit for an automobile, as shown and described.

DESCRIPTION

FIG. 1 is a front elevational view of a steering wheel unit for an automobile in accordance with our new design;
FIG. 2 is a rear elevational view thereof;
FIG. 3 is a top plan view thereof;
FIG. 4 is a bottom plan view thereof;
FIG. 5 is a left side elevational view thereof;
FIG. 6 is a right side elevational view thereof;
FIG. 7 is a front perspective view thereof; and,
FIG. 8 is a rear perspective view thereof.
The broken lines shown in FIGS. 2, 4 and 8 are boundary lines and form no part of the claimed design. The area circumscribed by these boundary lines has been removed from the disclosure and does not illustrate a part of the steering unit.

1 Claim, 8 Drawing Sheets



(56)

References Cited

FOREIGN PATENT DOCUMENTS

U.S. PATENT DOCUMENTS

D578,940	S *	10/2008	Tsay et al.	D12/175
7,441,799	B2 *	10/2008	Enders et al.	280/731
D624,865	S *	10/2010	Figueiredo	D12/345
D633,853	S *	3/2011	Aruga et al.	D12/345
D657,923	S *	4/2012	Dammkoehler	D32/28
D658,719	S *	5/2012	Ikeda et al.	D21/333
D679,228	S *	4/2013	Balko et al.	D12/175
D695,839	S *	12/2013	Lin	D21/333
9,016,723	B2 *	4/2015	Zeinar et al.	280/779
2005/0121889	A1 *	6/2005	Enders et al.	280/731
2006/0258452	A1 *	11/2006	Hsu	463/36
2014/0217691	A1 *	8/2014	Zeinar et al.	280/93.5

JP	D1155916	S	10/2002
JP	D1157078	S	11/2002
JP	D1216998	S	9/2004
JP	D1217746	S	9/2004
JP	D1218255	S	9/2004
JP	D1279408	S	8/2006
JP	D1340040	S	9/2008
JP	D1369193	S	9/2009
JP	D1384143	S	4/2010
JP	D1440760	S	5/2012
JP	D1479655	S	9/2013
JP	D1491703	S	3/2014
JP	D1503260	S	7/2014

* cited by examiner

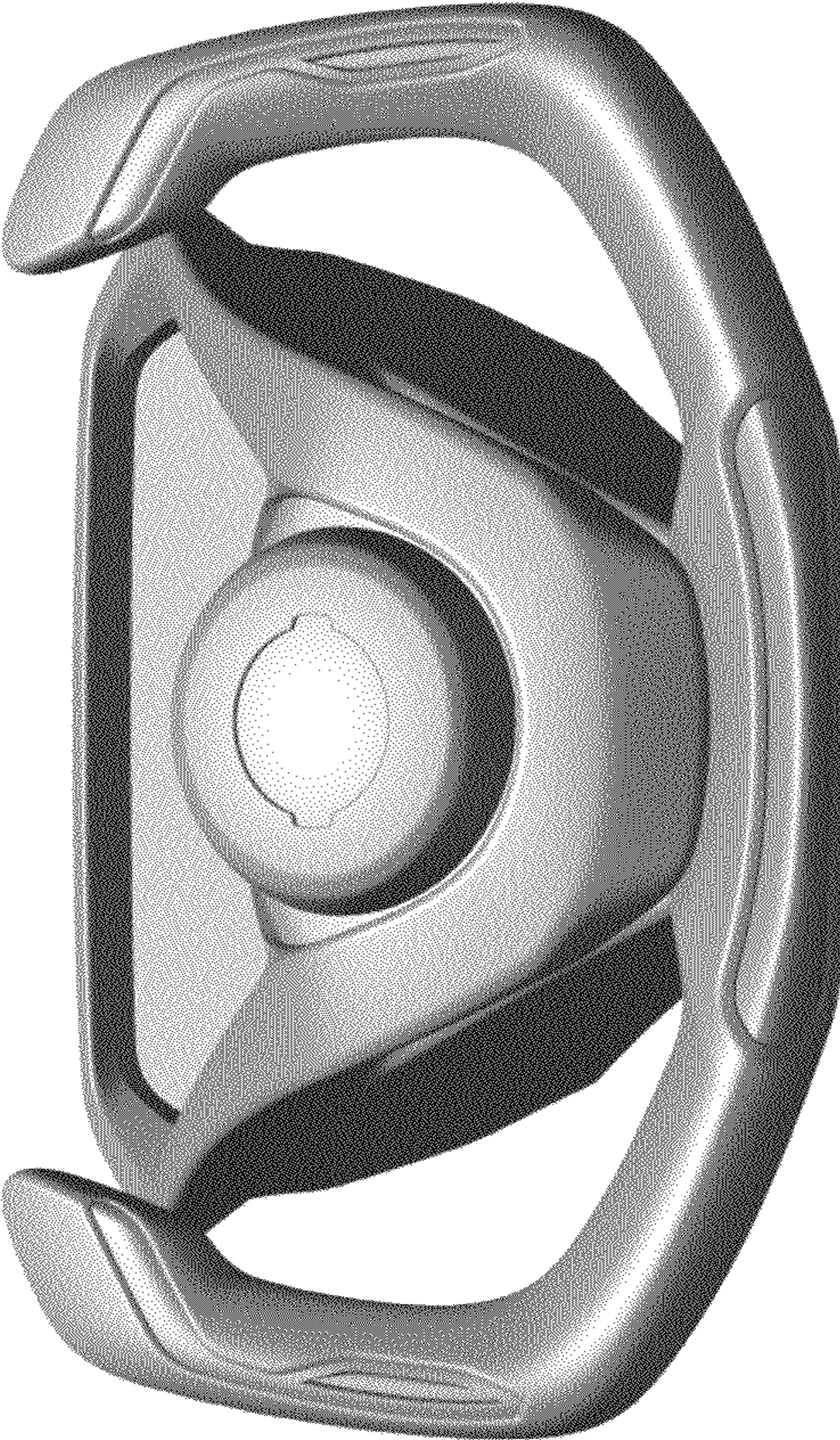


FIG. 1

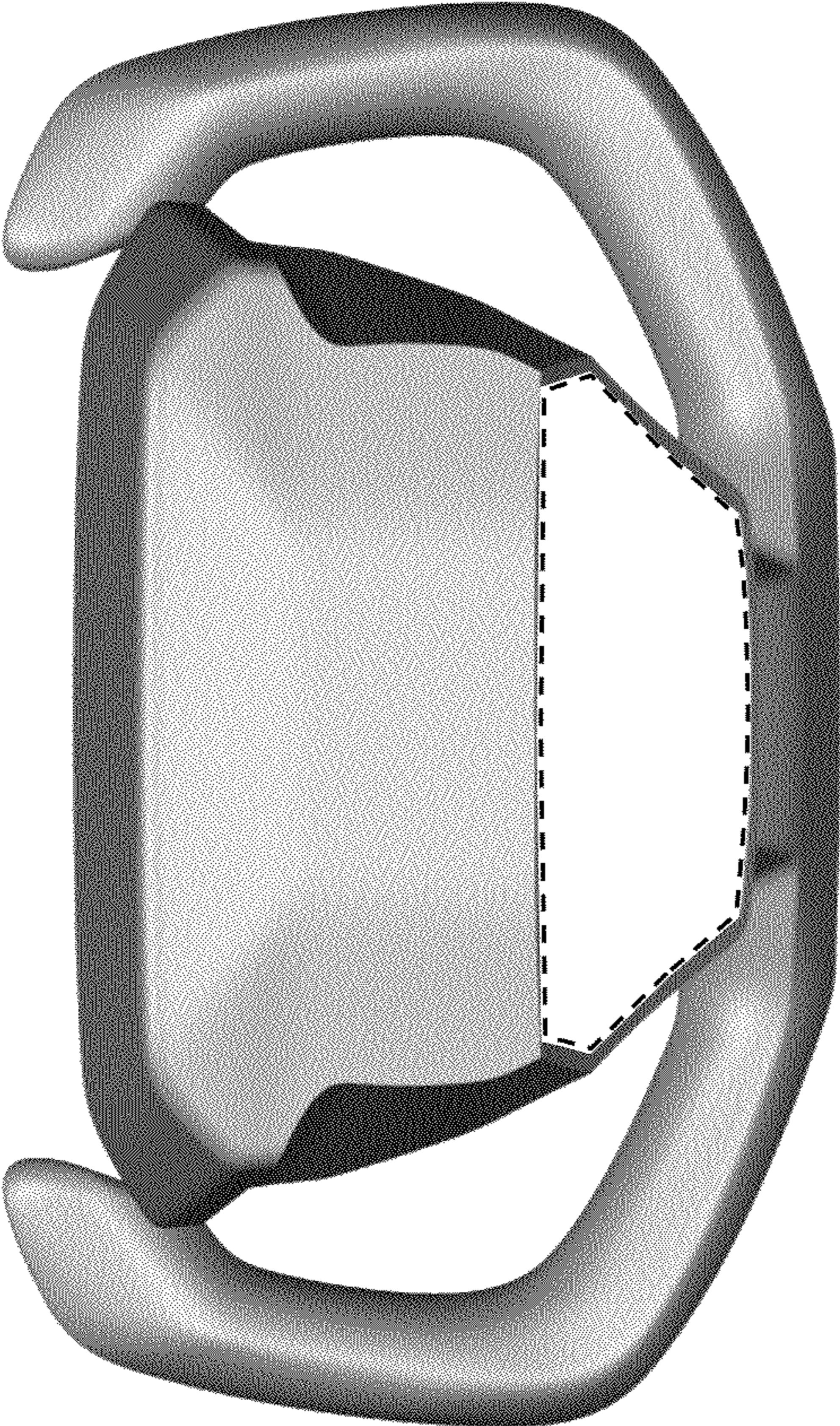


FIG. 2

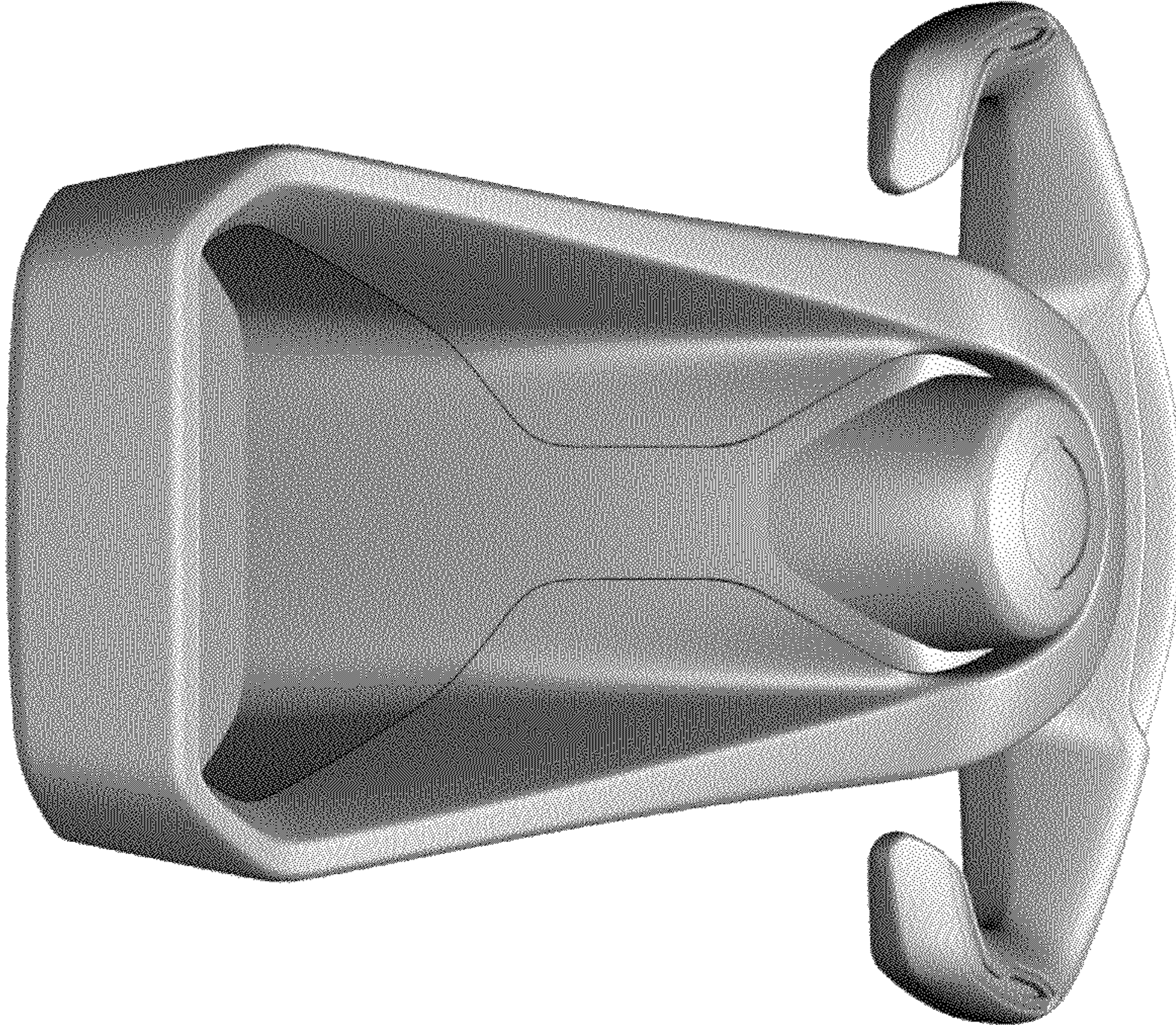


FIG. 3

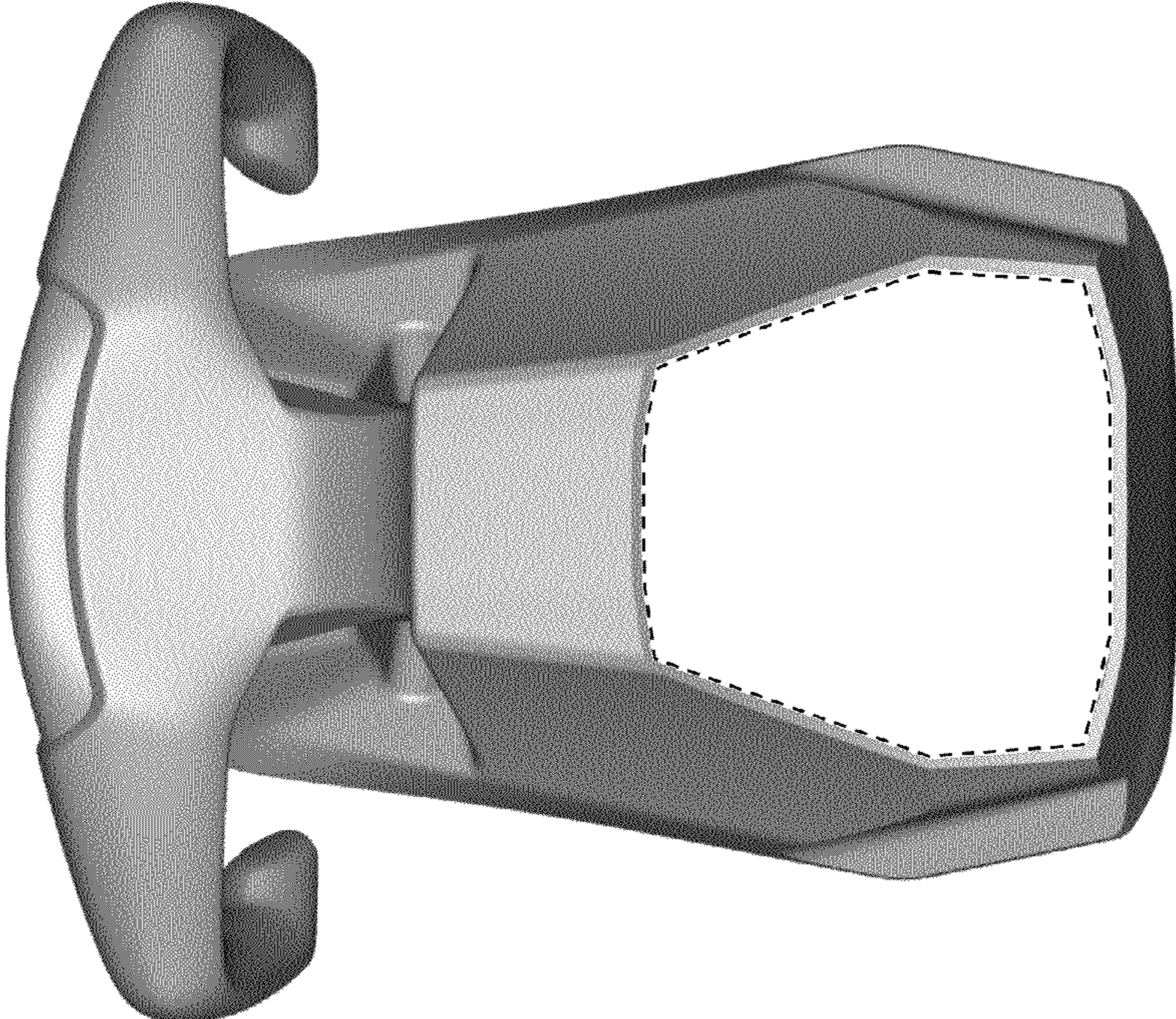


FIG. 4

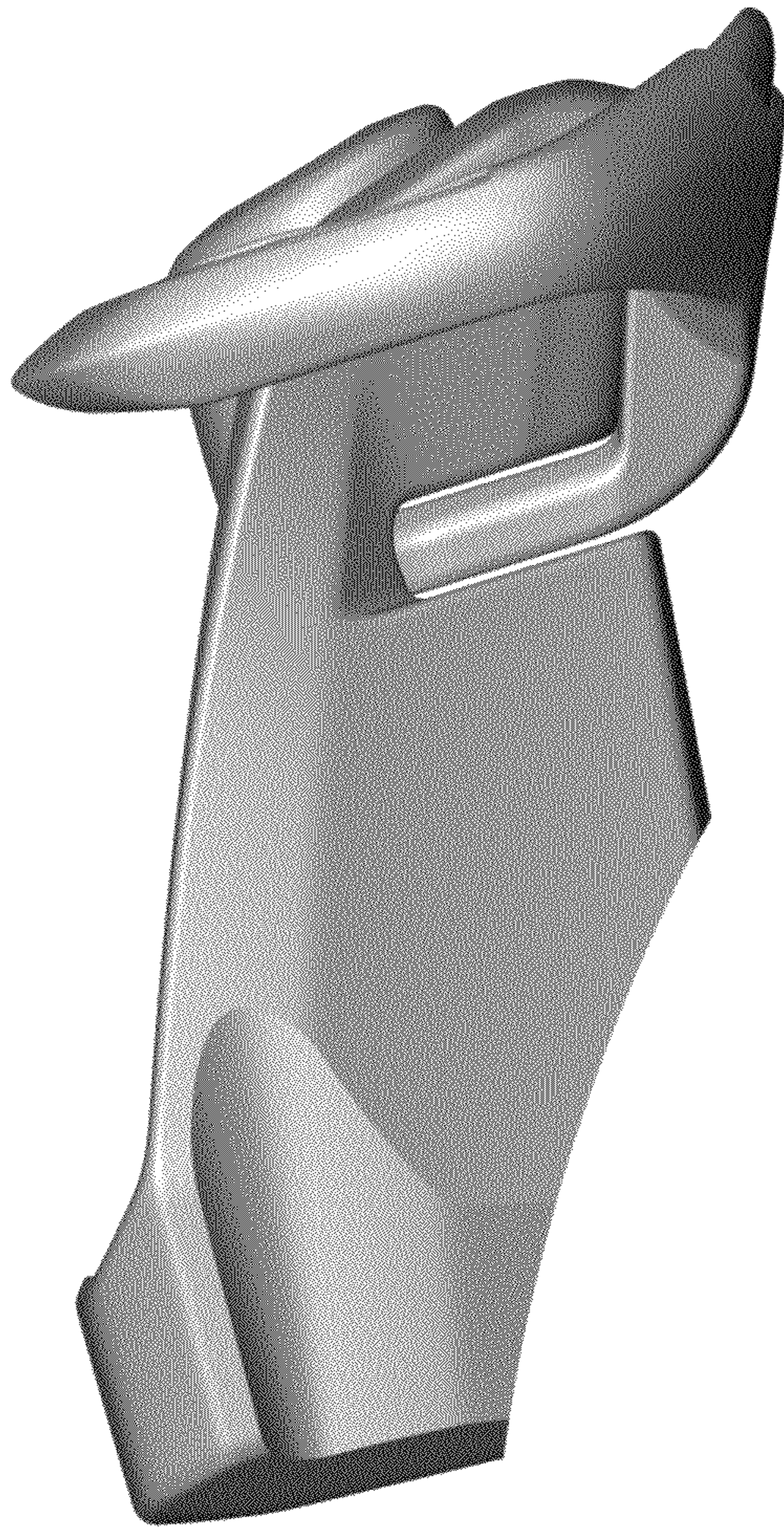


FIG. 5



FIG. 6



FIG. 7

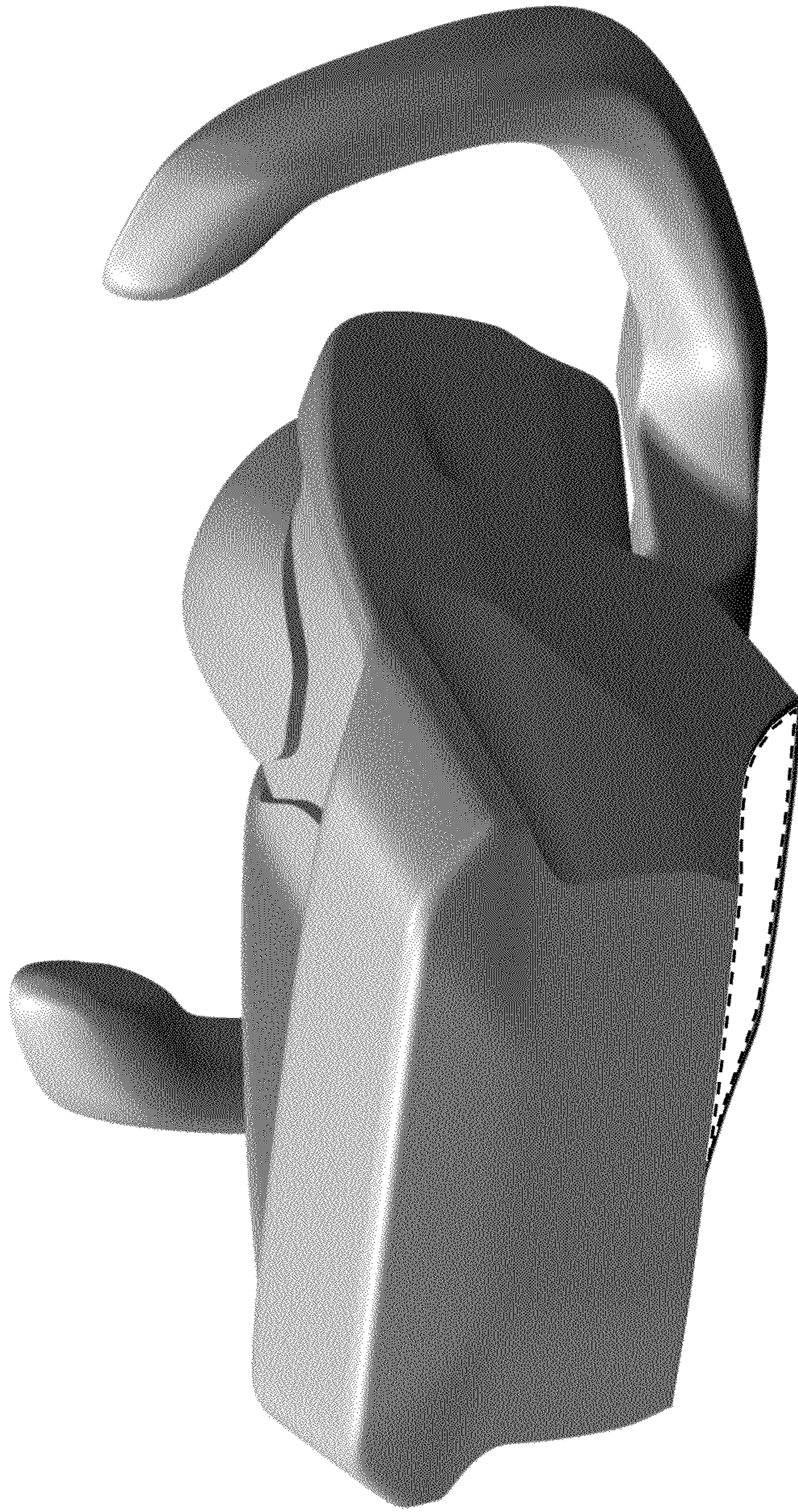


FIG. 8