



US00D737182S

(12) **United States Design Patent**  
**Takei et al.**

(10) **Patent No.:** **US D737,182 S**

(45) **Date of Patent:** **\*\* Aug. 25, 2015**

- (54) **BUMPER FOR AN AUTOMOBILE**
- (71) Applicants: **Tatsuya Takei**, Toyota (JP); **Pansoo Kwon**, Okazaki (JP)
- (72) Inventors: **Tatsuya Takei**, Toyota (JP); **Pansoo Kwon**, Okazaki (JP)
- (73) Assignee: **Toyota Jidosha Kabushiki Kaisha** (JP)
- (\*\*) Term: **14 Years**
- (21) Appl. No.: **29/481,192**
- (22) Filed: **Feb. 3, 2014**
- (30) **Foreign Application Priority Data**
  - Aug. 9, 2013 (JP) ..... 2013-018304
  - Aug. 9, 2013 (JP) ..... 2013-018305
  - Aug. 9, 2013 (JP) ..... 2013-018310
- (51) **LOC (10) Cl.** ..... **12-16**
- (52) **U.S. Cl.**
  - USPC ..... **D12/169**
- (58) **Field of Classification Search**
  - USPC ..... D12/169, 216, 90-92, 86, 171, 196,  
D12/163; 293/102, 113, 115, 117, 120;  
296/180.1, 180.2
  - CPC ..... B60R 19/02; B60R 19/04; B62D 25/08
  - See application file for complete search history.

- D666,129 S \* 8/2012 Iida et al. .... D12/163
- D667,353 S \* 9/2012 Tomatsu ..... D12/169
- D680,472 S \* 4/2013 Kido et al. .... D12/163
- D696,611 S \* 12/2013 Kwon et al. .... D12/169
- D697,458 S \* 1/2014 Won ..... D12/169
- D710,265 S \* 8/2014 Sakae et al. .... D12/169
- D715,709 S \* 10/2014 Matsumoto et al. .... D12/169

**OTHER PUBLICATIONS**

Lexus, LF-LC Concept (2012) <[http://www.netcarshow.com/lexus/2012-lf-lc\\_concept/](http://www.netcarshow.com/lexus/2012-lf-lc_concept/)>, available at least as early as May 16, 2013.  
 Hyundai, Hyundai HND-9 Concept (2013) <[http://www.netcarshow.com/hyundai/2013-hnd-9\\_concept/](http://www.netcarshow.com/hyundai/2013-hnd-9_concept/)>, available at least as early as May 16, 2013.  
 Infiniti, Emerg-E Concept (2012) <[http://www.netcarshow.com/infiniti/2012-emerg-e\\_concept/](http://www.netcarshow.com/infiniti/2012-emerg-e_concept/)>, available at least as early as May 16, 2013.

(Continued)

*Primary Examiner* — Melody N Brown  
 (74) *Attorney, Agent, or Firm* — Saidman DesignLaw Group, LLC

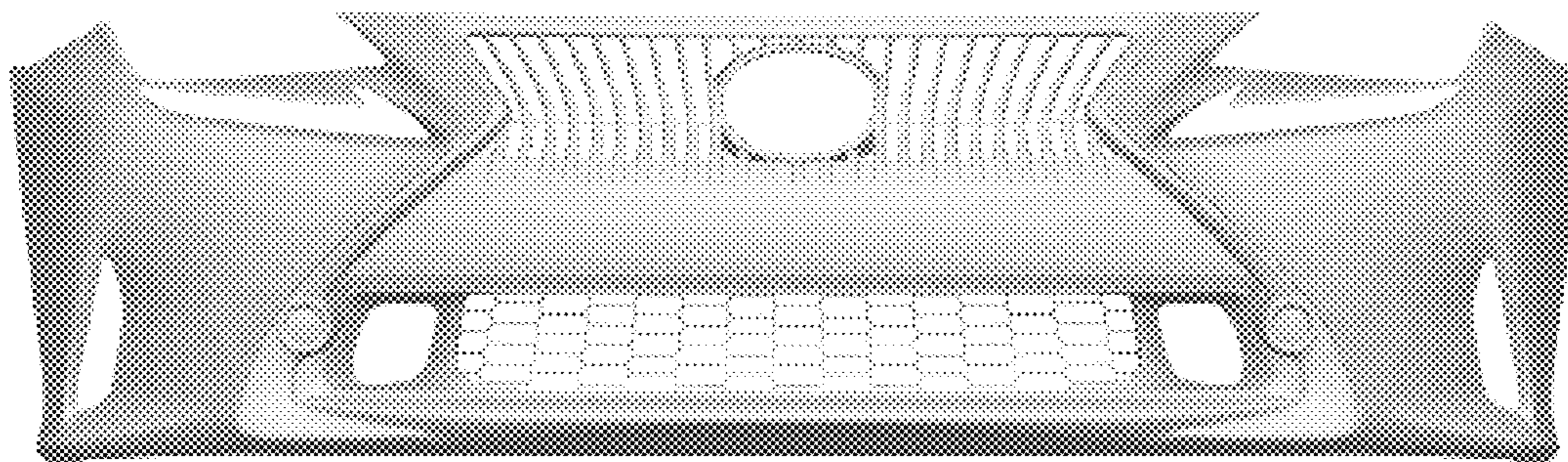
(57) **CLAIM**  
 The ornamental design for a bumper for an automobile, as shown and described.

**DESCRIPTION**

FIG. 1 is a perspective view of a bumper for an automobile showing our new design;  
 FIG. 2 is a front view thereof;  
 FIG. 3 is a rear view thereof;  
 FIG. 4 is a top view thereof;  
 FIG. 5 is a bottom view thereof; and,  
 FIG. 6 is a right side view thereof, the left side view being a mirror image.  
 The drawings include shadows and reflections, which indicate contour not surface ornamentation.

**1 Claim, 2 Drawing Sheets**

- (56) **References Cited**
  - U.S. PATENT DOCUMENTS**
  - D619,514 S \* 7/2010 Syouji et al. .... D12/169
  - D620,850 S \* 8/2010 Sakae et al. .... D12/169
  - D637,533 S \* 5/2011 Miyazawa et al. .... D12/169
  - D640,614 S \* 6/2011 Kumai et al. .... D12/169
  - D640,958 S \* 7/2011 Yokoi et al. .... D12/169
  - D664,904 S \* 8/2012 Koyama et al. .... D12/169



(56)

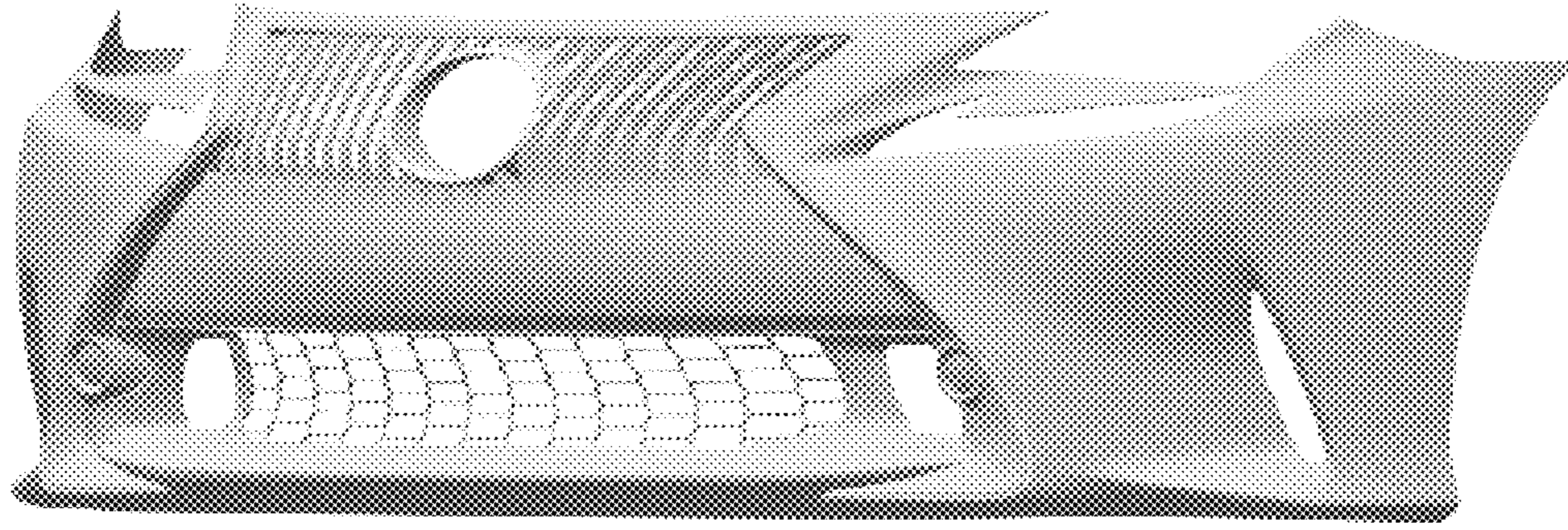
**References Cited**

OTHER PUBLICATIONS

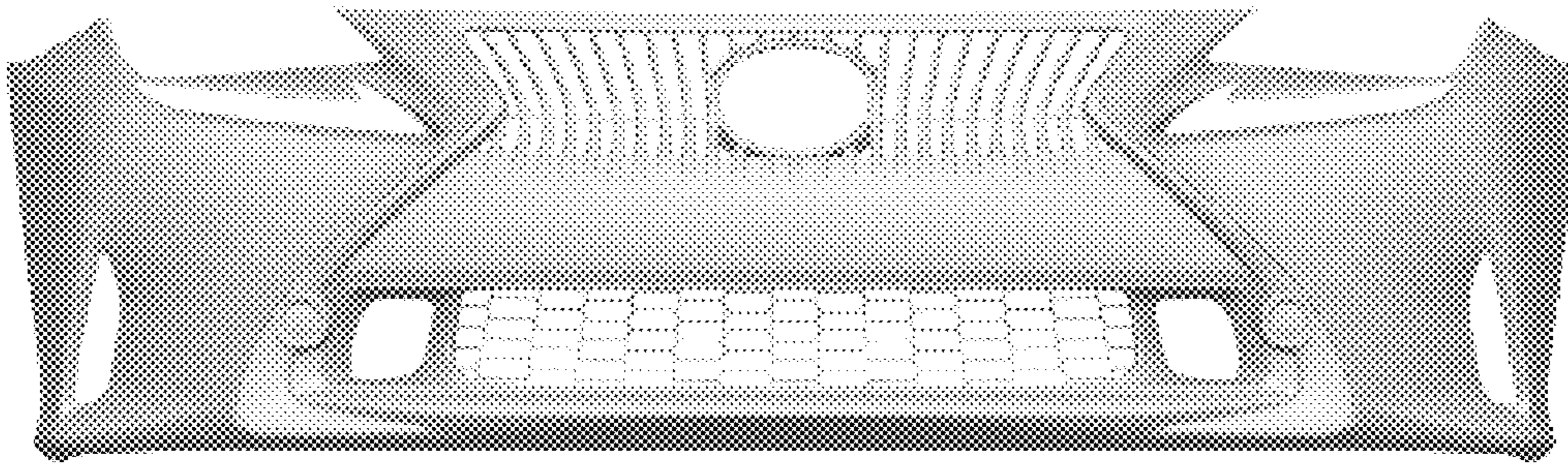
Lexus, Lexus IS US-Version (2014) <[http://www.netcarshow.com/lexus/2014-is\\_us-version/](http://www.netcarshow.com/lexus/2014-is_us-version/)>, available at least as early as May 21, 2013.

Lexus, Lexus LF-CC Concept (2012) <[http://www.netcarshow.com/lexus/2012-lf-cc\\_concept/](http://www.netcarshow.com/lexus/2012-lf-cc_concept/)>, available at least as early as May 16, 2013.

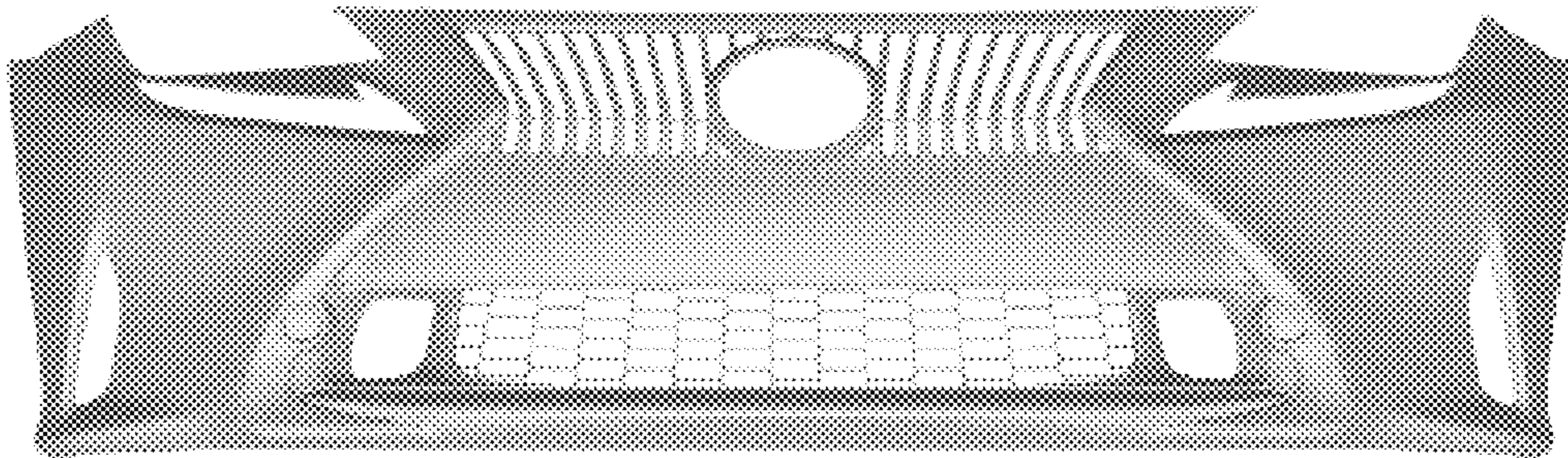
\* cited by examiner



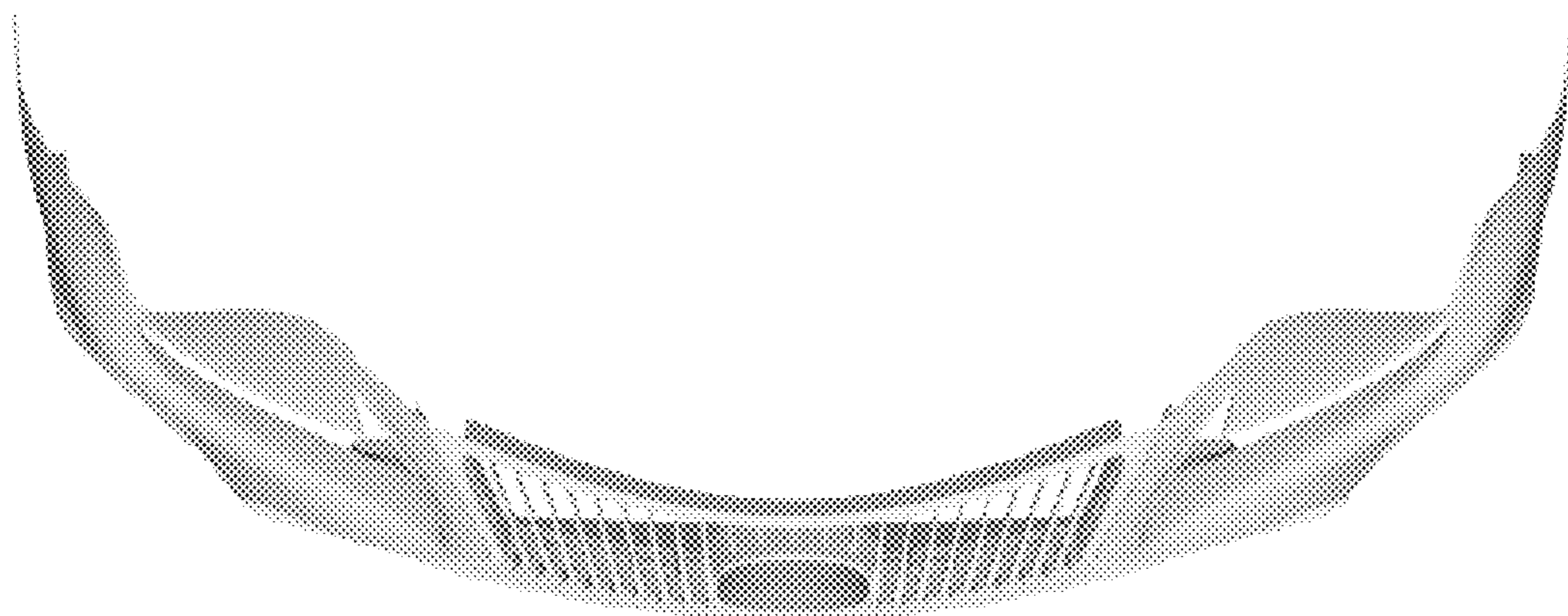
*Fig. 1*



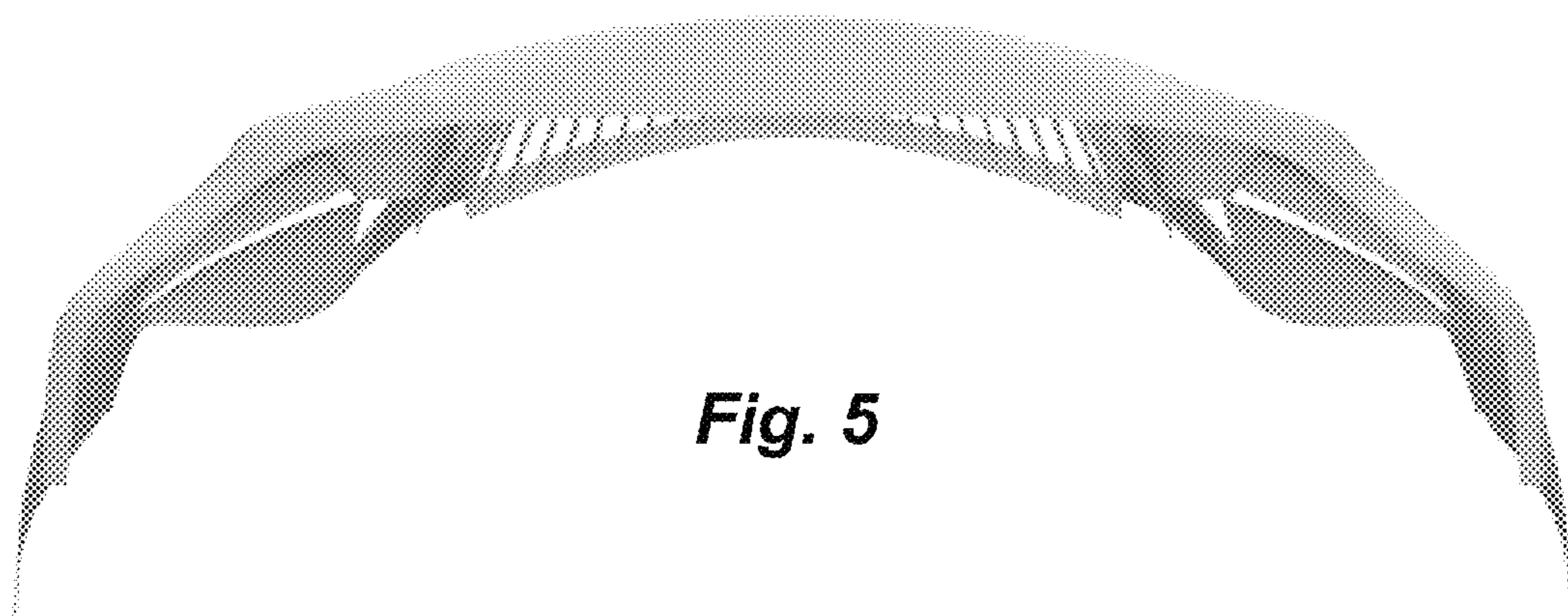
*Fig. 2*



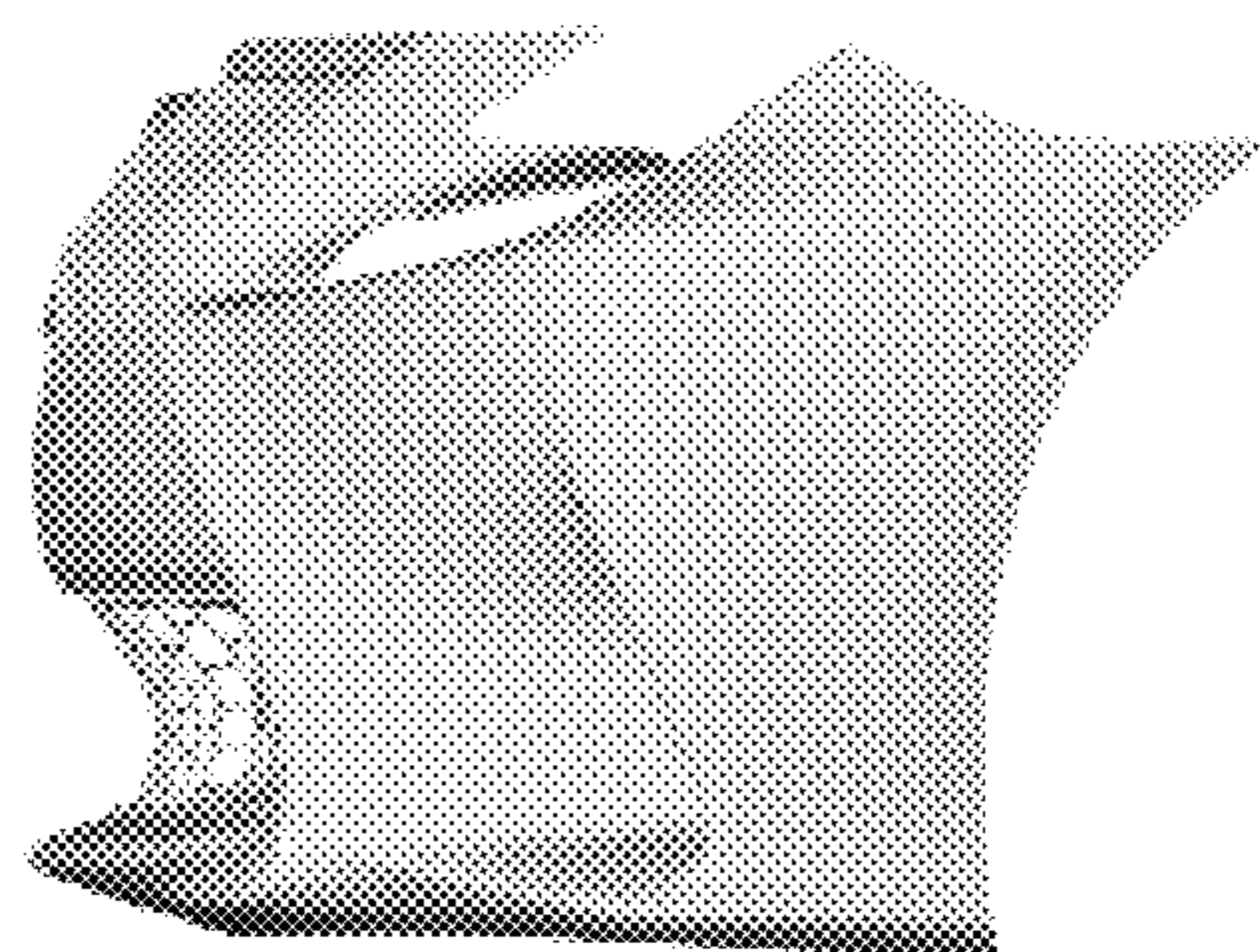
*Fig. 3*



*Fig. 4*



*Fig. 5*



*Fig. 6*