



US00D737181S

(12) **United States Design Patent**  
**Smith et al.**

(10) **Patent No.:** **US D737,181 S**

(45) **Date of Patent:** **\*\* Aug. 25, 2015**

(54) **BULL BAR**  
(71) Applicant: **ARB Corporation Limited**, Kilsyth, Vic (AU)  
(72) Inventors: **Gavin Smith**, Kilsyth (AU); **Joe Leban**, Kilsyth (AU)  
(73) Assignee: **ARB CORPORATION LIMITED**, Kilsyth (AU)

(\*\*) Term: **14 Years**

(21) Appl. No.: **29/477,179**

(22) Filed: **Dec. 19, 2013**

(30) **Foreign Application Priority Data**

Oct. 28, 2013 (AU) ..... 15508/2013

(51) **LOC (10) Cl.** ..... **12-16**

(52) **U.S. Cl.**  
USPC ..... **D12/169**

(58) **Field of Classification Search**  
USPC ..... D12/86, 163, 169, 170, 171, 172, 216;  
180/68.4, 68.6; 293/102, 103, 115,  
293/120, 121, 144; 296/180.1, 180.2  
CPC .... B60R 19/02; B60R 19/52; B60R 2019/522  
See application file for complete search history.

(56) **References Cited**

**U.S. PATENT DOCUMENTS**

D291,075 S \* 7/1987 Kitahashi ..... D12/169  
D300,128 S \* 3/1989 Brennan ..... D12/169  
D318,835 S \* 8/1991 Partin ..... D12/169  
D360,865 S \* 8/1995 Hanson ..... D12/169

D375,067 S \* 10/1996 Bronstein ..... D12/169  
D431,506 S \* 10/2000 Runfolo ..... D12/169  
D432,469 S \* 10/2000 Nelson ..... D12/169  
D455,684 S \* 4/2002 McGuiness ..... D12/171  
D455,988 S \* 4/2002 McGuiness ..... D12/171  
D590,752 S \* 4/2009 Williams et al. .... D12/169  
D713,305 S \* 9/2014 Sperling et al. .... D12/169  
2006/0181088 A1 \* 8/2006 Cobble et al. .... 293/115  
2009/0302623 A1 \* 12/2009 Finney ..... 293/115

**FOREIGN PATENT DOCUMENTS**

AU 2012247050 A1 \* 5/2013 ..... B60R 19/54

\* cited by examiner

*Primary Examiner* — Philip S Hyder

*Assistant Examiner* — Darlington Ly

(74) *Attorney, Agent, or Firm* — Davis Wright Tremaine LLP; Heather M. Colburn

(57) **CLAIM**

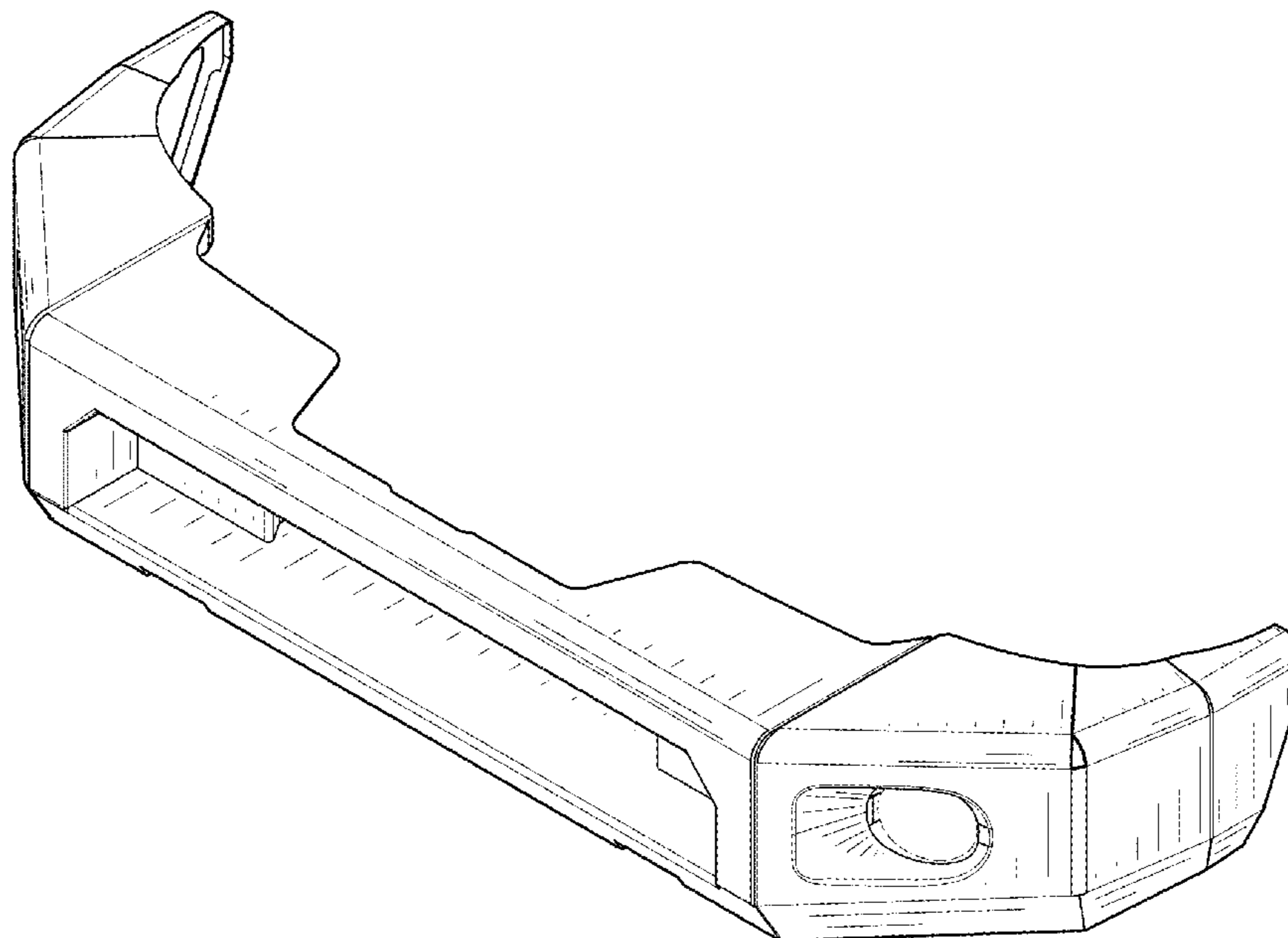
The ornamental design for a bull bar, as shown and described.

**DESCRIPTION**

FIG. 1 is a front elevation view of a bull bar showing our new design;  
FIG. 2 is a top plan view thereof;  
FIG. 3 is a left side elevation view thereof, wherein the opposing right-side is a mirror image;  
FIG. 4 is a front and left-side perspective view thereof;  
FIG. 5 is a front and left-side perspective view thereof, wherein a wing portion is detached; and,  
FIG. 6 is a front and left-side perspective view thereof, wherein the left wing portion and a right wing portion are removed.

The broken lines shown in the drawings illustrate portions of the bull bar that forms no part of claimed design.

**1 Claim, 6 Drawing Sheets**



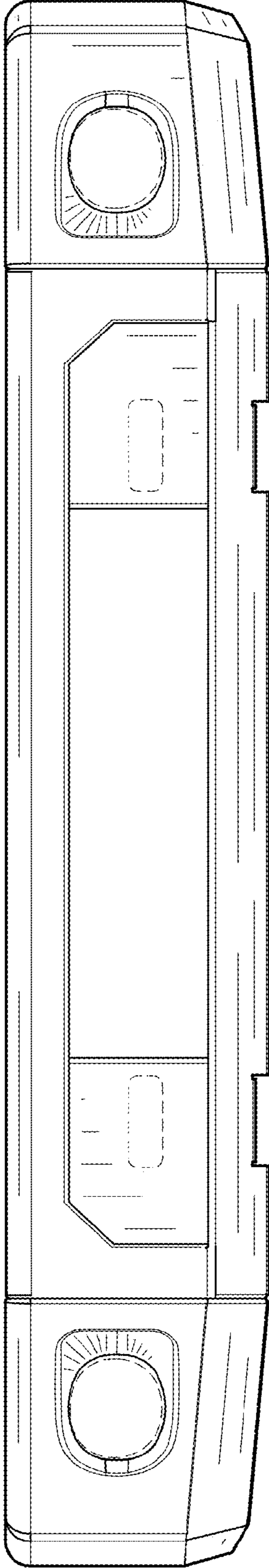


FIG.1

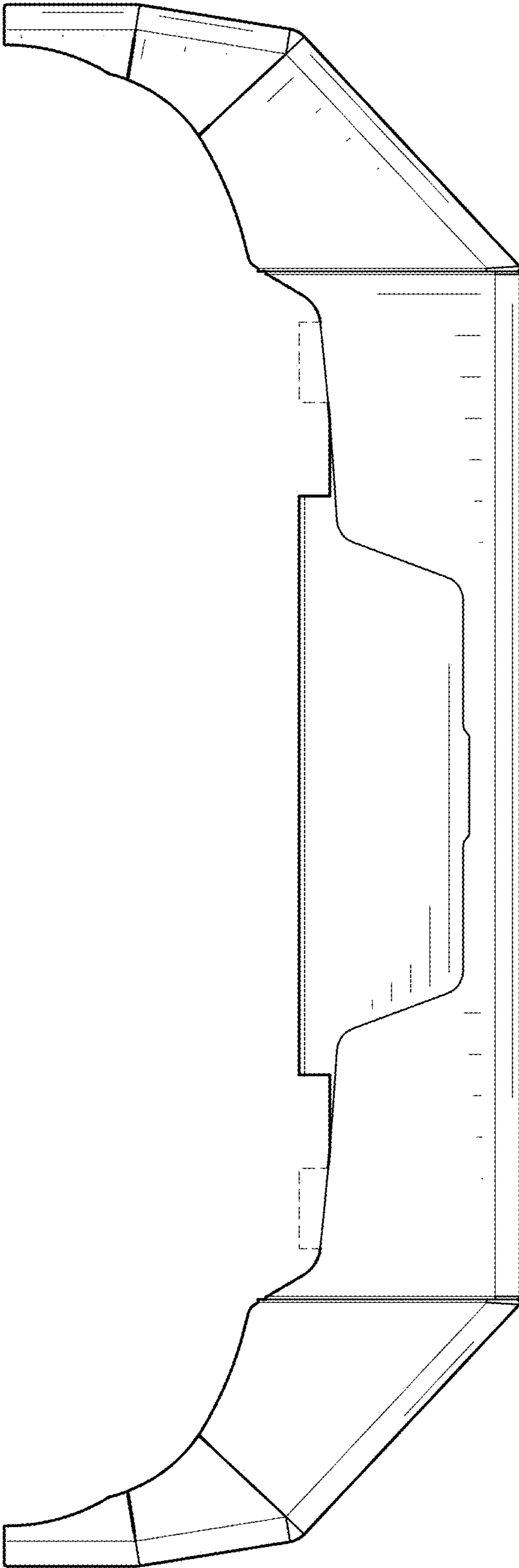


FIG. 2

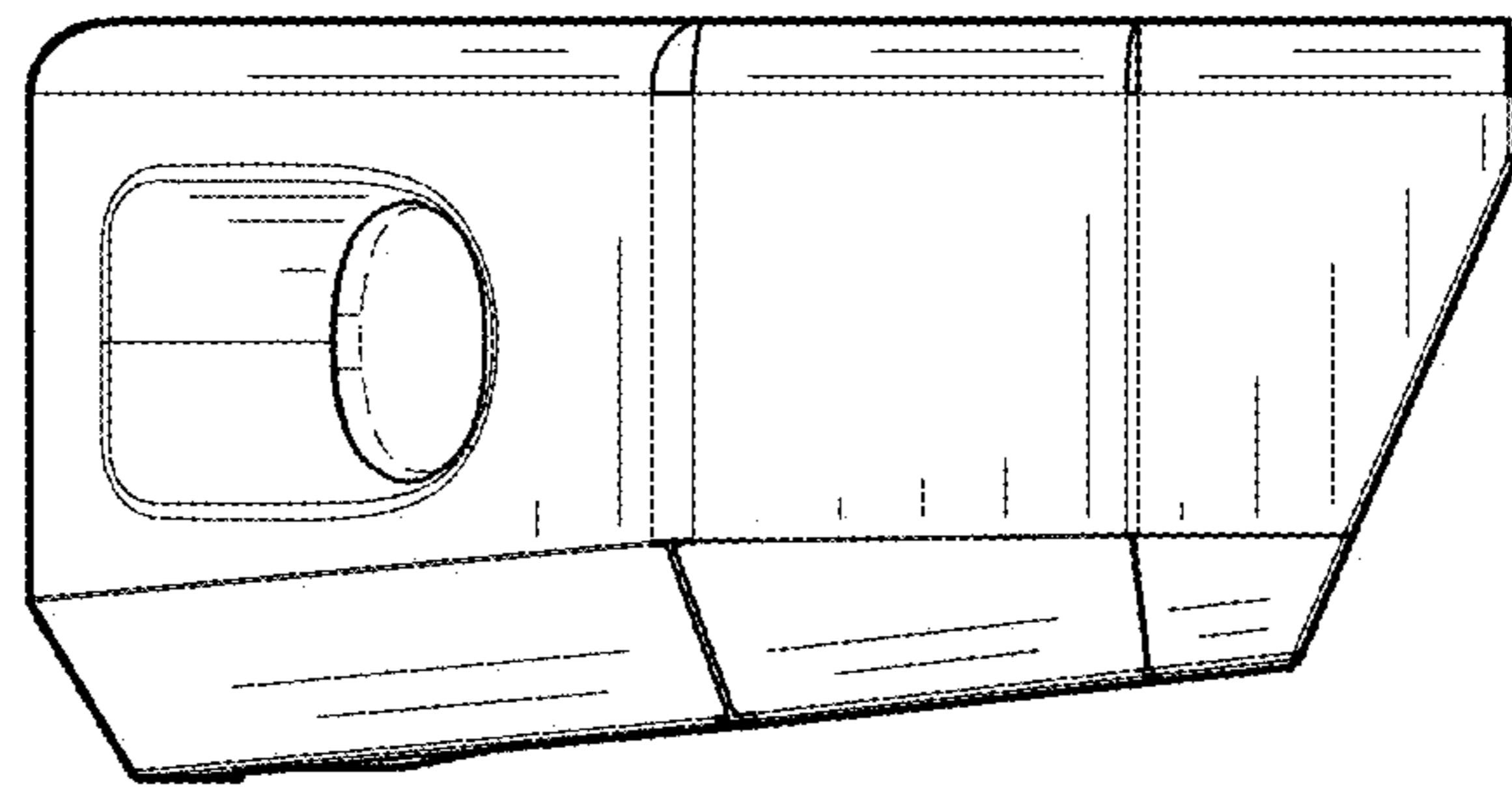


FIG.3

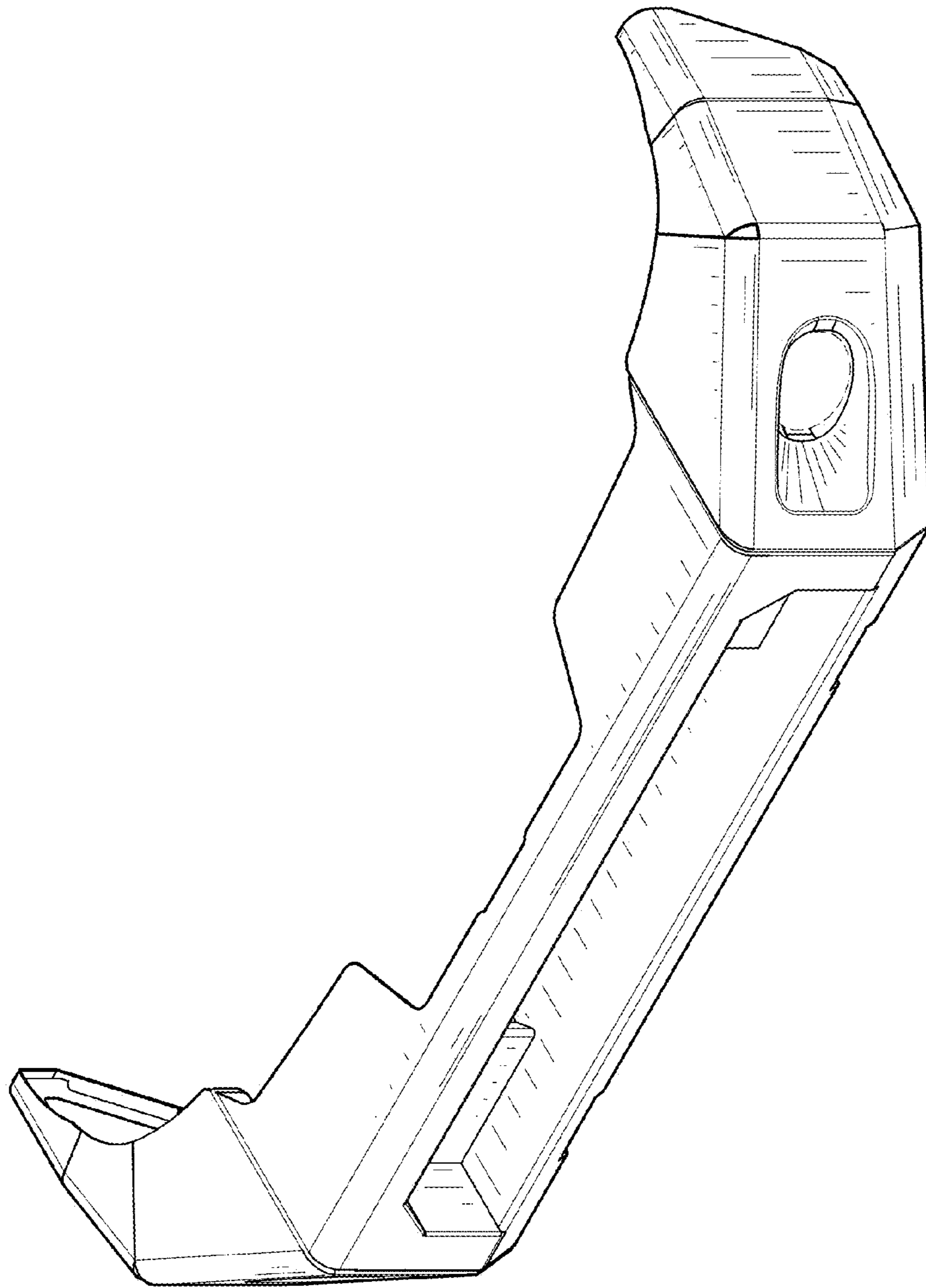


FIG. 4

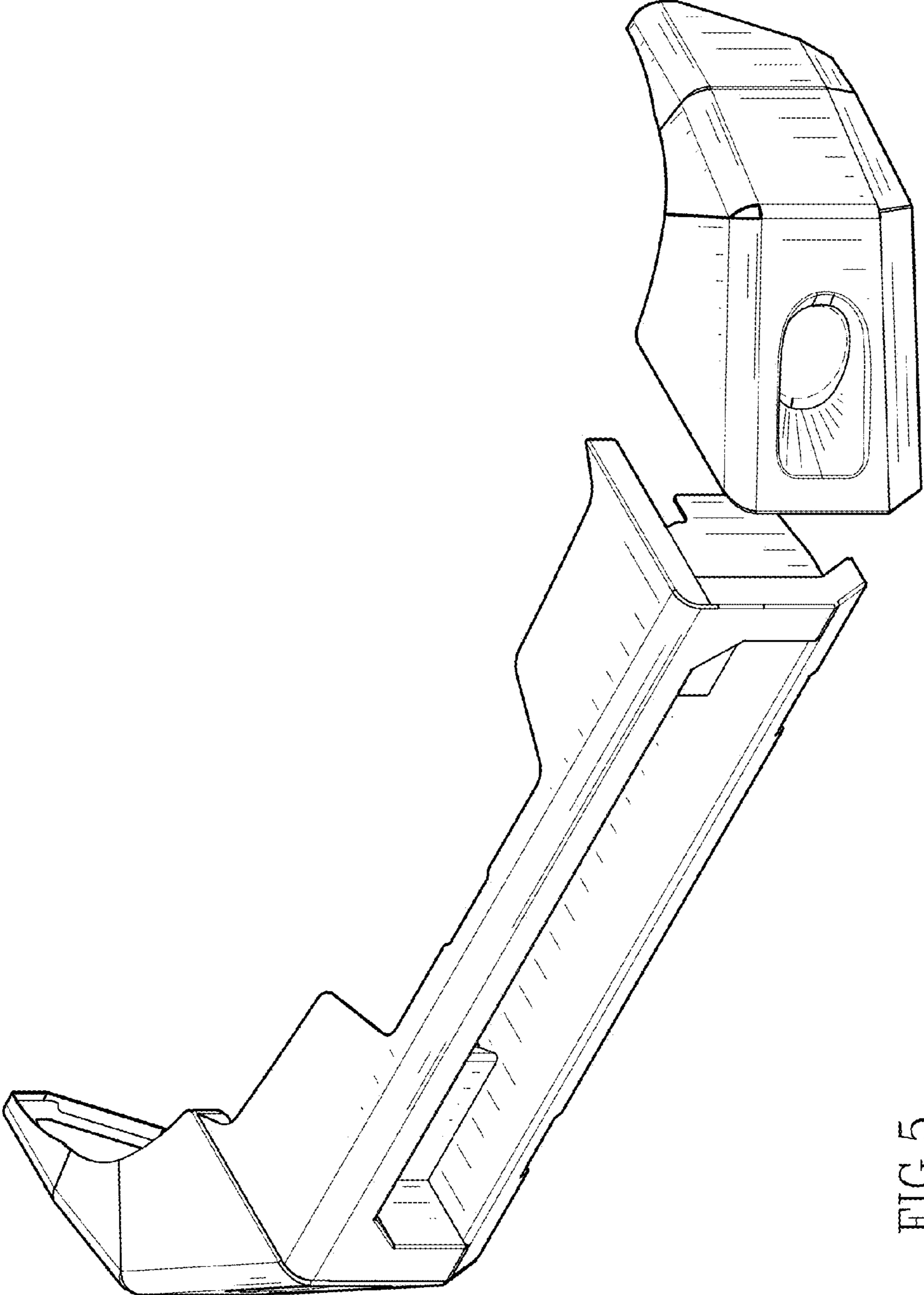


FIG. 5



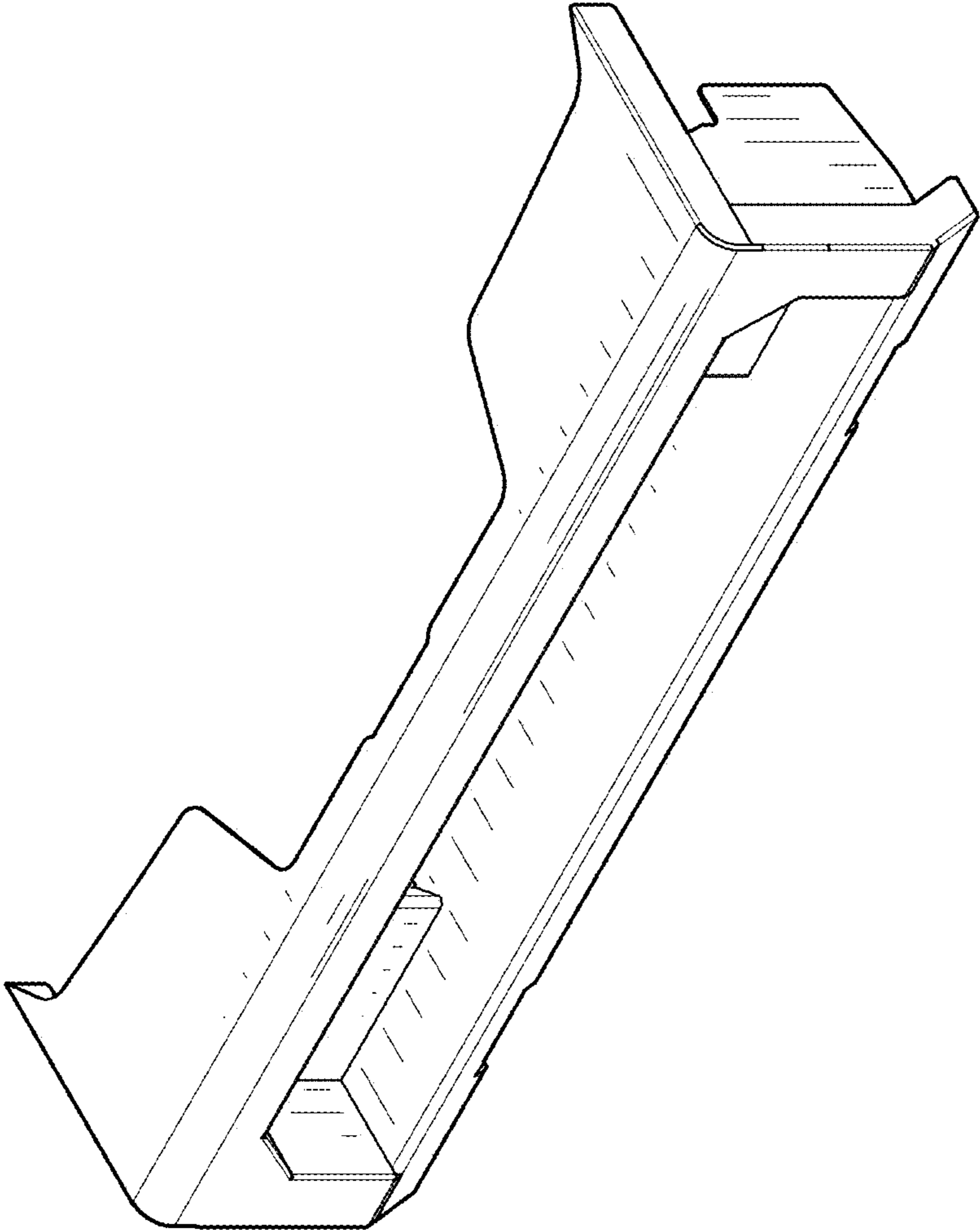


FIG. 6