



US00D737180S

(12) **United States Design Patent**
Gholston et al.

(10) **Patent No.:** **US D737,180 S**
(45) **Date of Patent:** **** Aug. 25, 2015**

(54) **ADJUSTABLE CONVERTIBLE BICYCLE CANOPY**

(71) Applicants: **Michelle Gholston**, Bakersfield, CA (US); **Darnell Gholston**, Bakersfield, CA (US)

(72) Inventors: **Michelle Gholston**, Bakersfield, CA (US); **Darnell Gholston**, Bakersfield, CA (US)

(**) Term: **14 Years**

(21) Appl. No.: **29/463,691**

(22) Filed: **Feb. 7, 2014**

(51) **LOC (10) Cl.** **12-11**

(52) **U.S. Cl.**
USPC **D12/114**

(58) **Field of Classification Search**
USPC D12/111, 122-127; 474/77, 80, 116, 474/118, 152, 155-158, 160-164, 202; 280/288.4, 304.3, 304.4; 74/594.2
CPC F16H 7/06; F16H 55/30; F16H 55/303; F16F 55/12; B62M 9/105
See application file for complete search history.

(56) **References Cited**

U.S. PATENT DOCUMENTS

3,284,130	A *	11/1966	Michael	296/78.1
D246,838	S *	1/1978	Boudreau	D12/133
4,440,436	A *	4/1984	Giddens et al.	296/107.08
4,560,196	A *	12/1985	Carter, Sr.	296/102
D284,844	S *	7/1986	Russell	D12/402
5,072,987	A *	12/1991	Allen	296/107.09
5,277,213	A *	1/1994	Mitchell	135/88.02
5,791,718	A *	8/1998	Boutin	296/78.1

(Continued)

FOREIGN PATENT DOCUMENTS

CN	201343102	Y *	1/2009	B62J 23/00
JP	2004314920	A *	1/2004	B62J 17/08

(Continued)

OTHER PUBLICATIONS

Xu, Ken. "Veltop Classic Portable Canopies Helps Biker Avoid Soaked by Rain." Hardware Sphere., May 10, 2011 [online], [retrieved on Aug. 26, 2014]. Retrieved from the Internet <URL: <http://www.hardwareSphere.com/2011/05/10/veltop-classic-portable-canopies-helps-biker-avoid-soaked-by-rain/>>.*

(Continued)

Primary Examiner — Philip S Hyder

Assistant Examiner — Darlington Ly

(57) **CLAIM**

We claim the ornamental design for an adjustable convertible bicycle canopy, as shown and described.

DESCRIPTION

FIG. 1. is a front perspective view of our new and original ornamental design for an adjustable convertible bicycle canopy.

FIG. 2 is a right side elevation view thereof;

FIG. 3 is a top plan view thereof;

FIG. 4 is a bottom plan view thereof;

FIG. 5 is a left side, top, and front isomeric view thereof;

FIG. 6 is a right side, bottom, and rear isometric view thereof;

FIG. 7 is left side, top and rear isometric view thereof;

FIG. 8 is a left side, bottom, and rear isomeric view thereof;

FIG. 9 is a left side, bottom and front isometric view thereof;

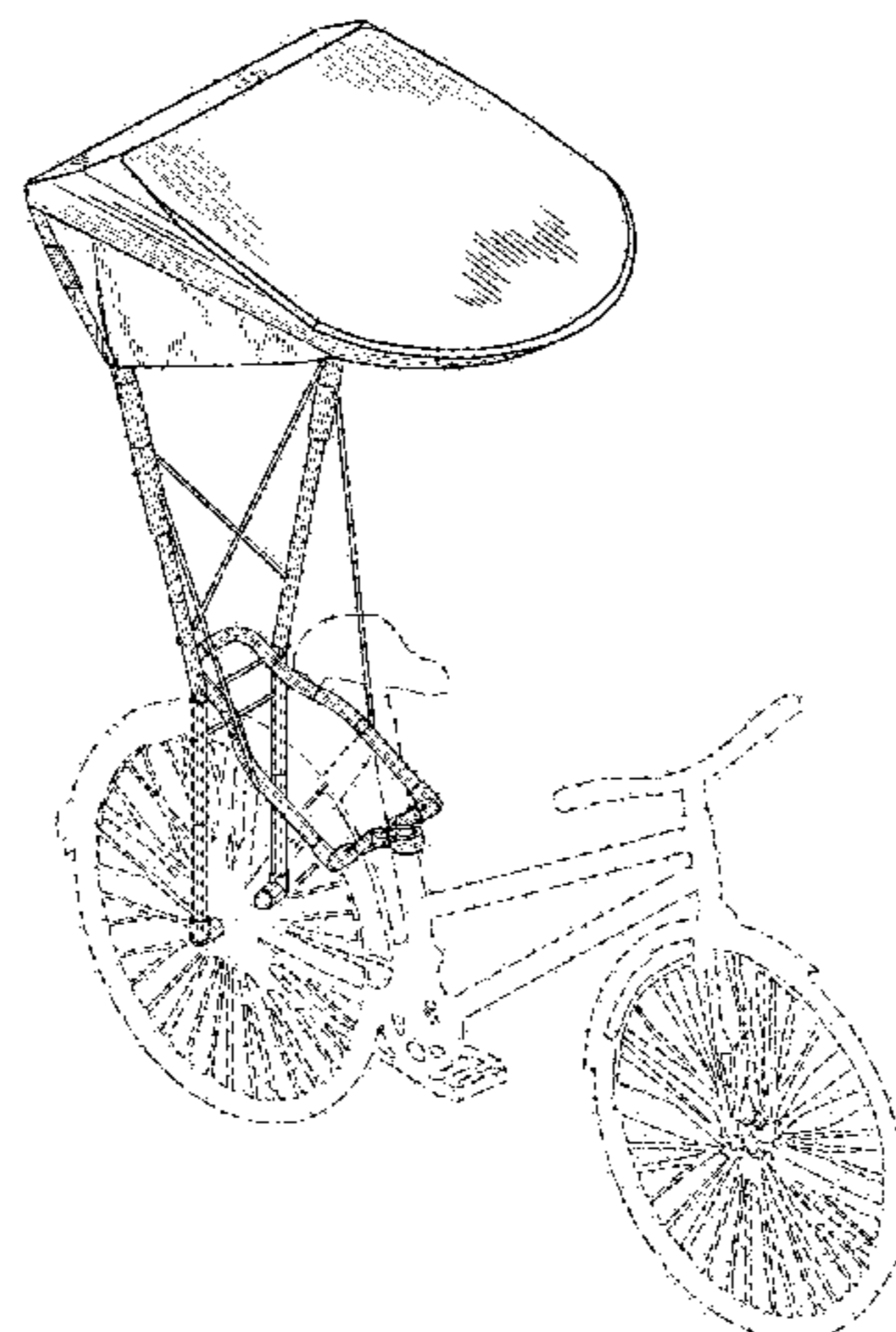
and,

FIG. 10 is a left side, top, and front isometric view thereof, wherein the adjustable convertible bicycle canopy is shown as used and installed on a bicycle.

The cross hatching in the drawings is representing the webbing material used in the canopy.

The broken line showing the bicycle in FIG. 10 is included for the purpose of illustrating environmental structure and forms no part of the claimed design.

1 Claim, 5 Drawing Sheets



(56)

References Cited

OTHER PUBLICATIONS

U.S. PATENT DOCUMENTS

5,904,392 A * 5/1999 Mainwal 296/78.1
5,975,614 A * 11/1999 Mc Grue 296/78.1
D587,634 S * 3/2009 Myers D12/129
D682,747 S * 5/2013 McAlister et al. D12/114
2009/0160149 A1* 6/2009 Roth 280/47.38

FOREIGN PATENT DOCUMENTS

JP 2004330884 A * 1/2004 B62J 17/08
JP 2011121378 A * 6/2011 B62J 17/00

Buczynski, Beth. "May Is Bike Month: Stay Dry With the Veltop Canopy." Crisp Green., May 20, 2011 [online], [retrieved on Aug. 26, 2014]. Retrieved from the Internet <URL: <http://crispgreen.com/2011/05/may-is-bike-month-bike-canopy/>>.*

* cited by examiner

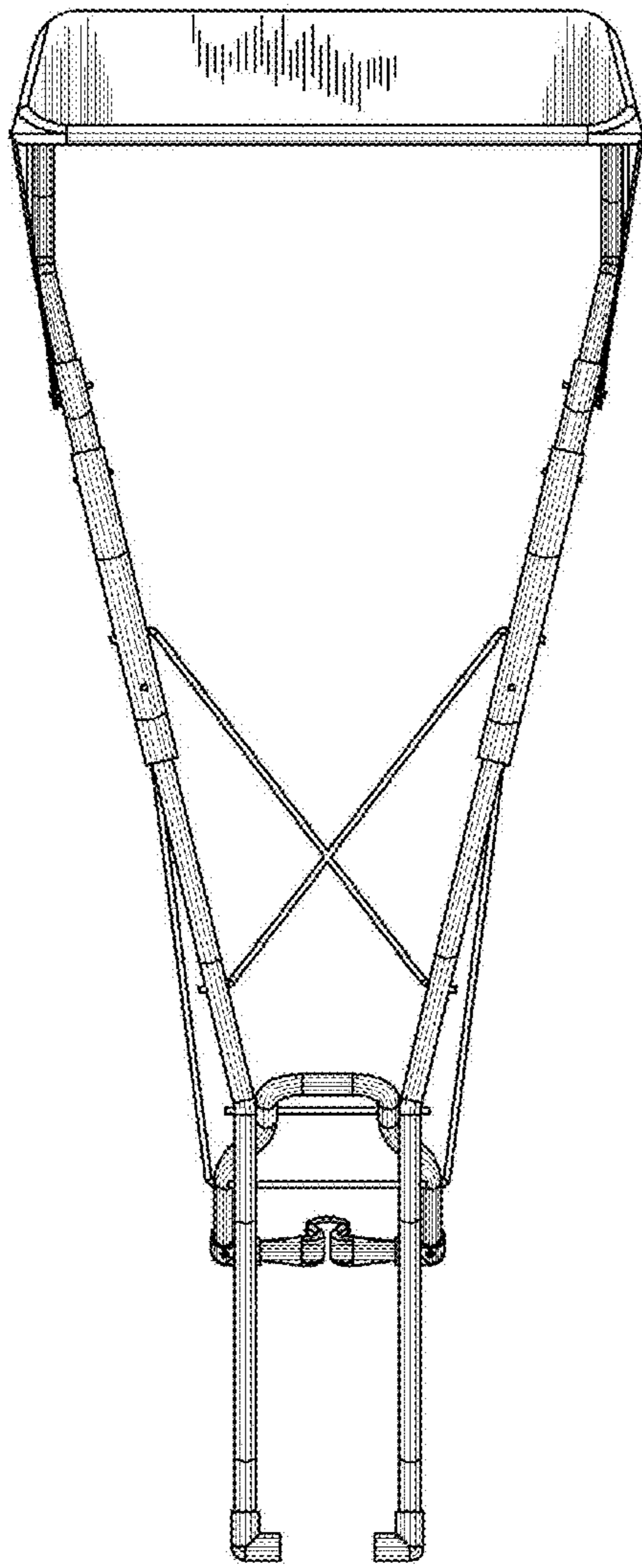


Fig. 1

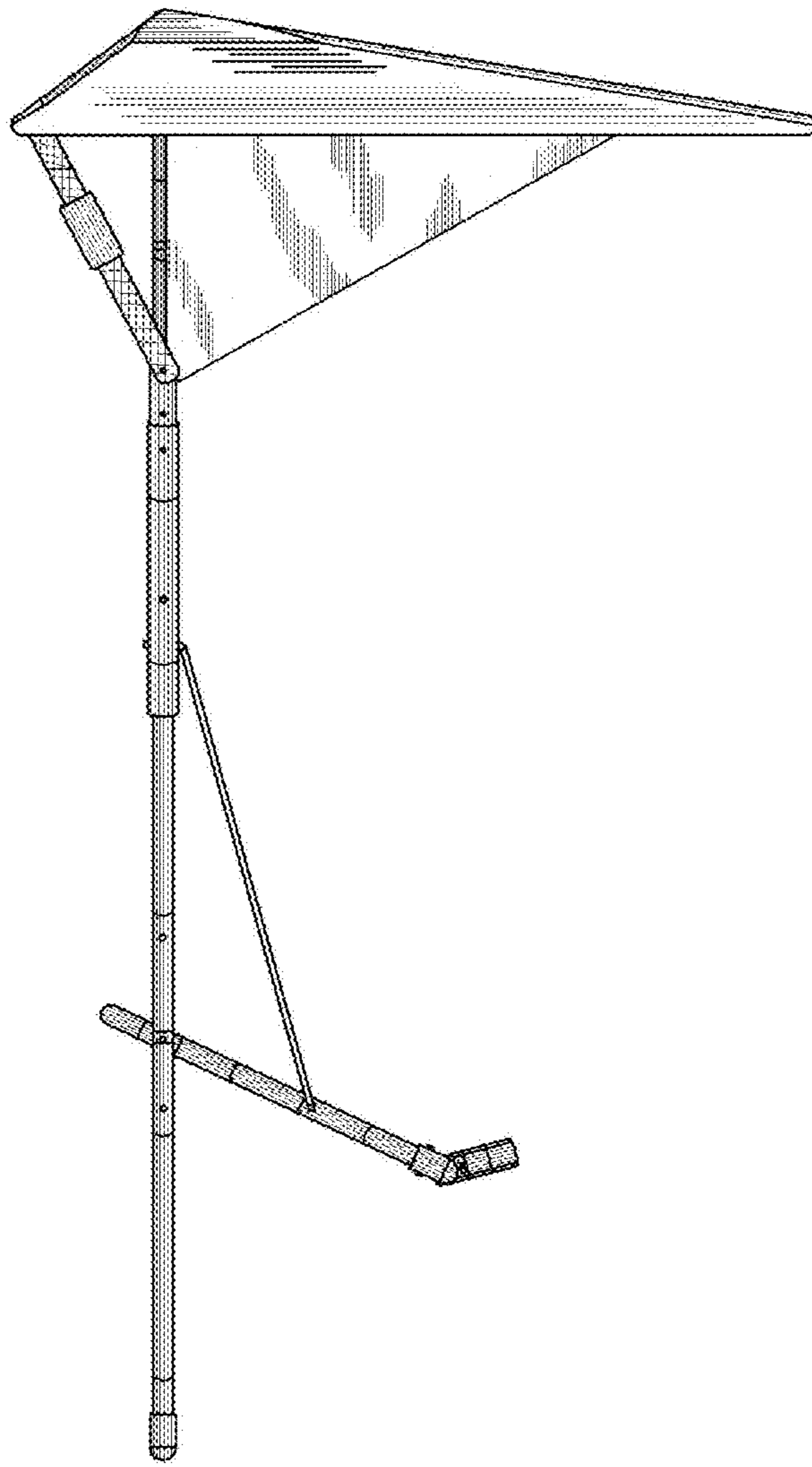


Fig. 2

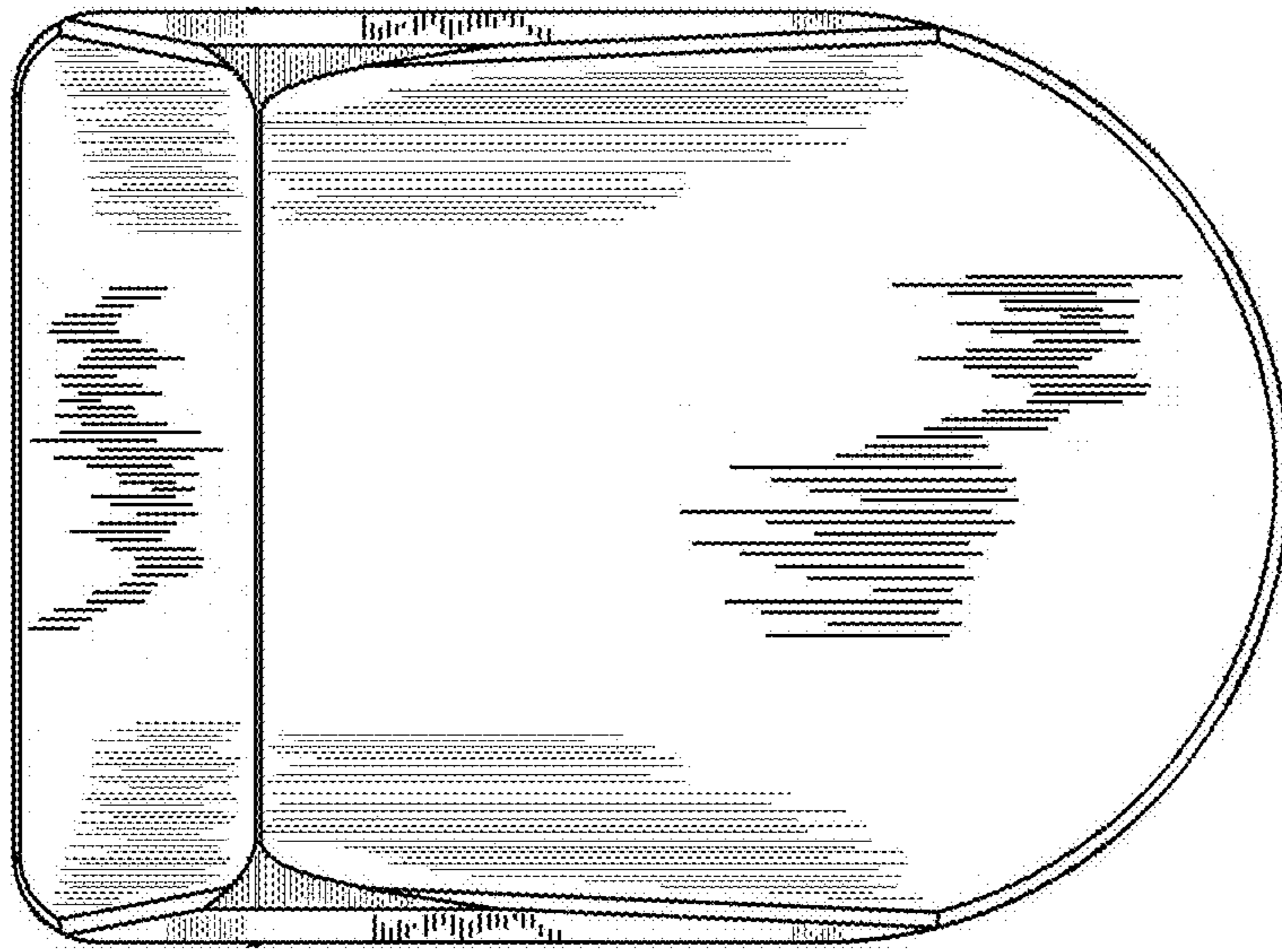


Fig. 3

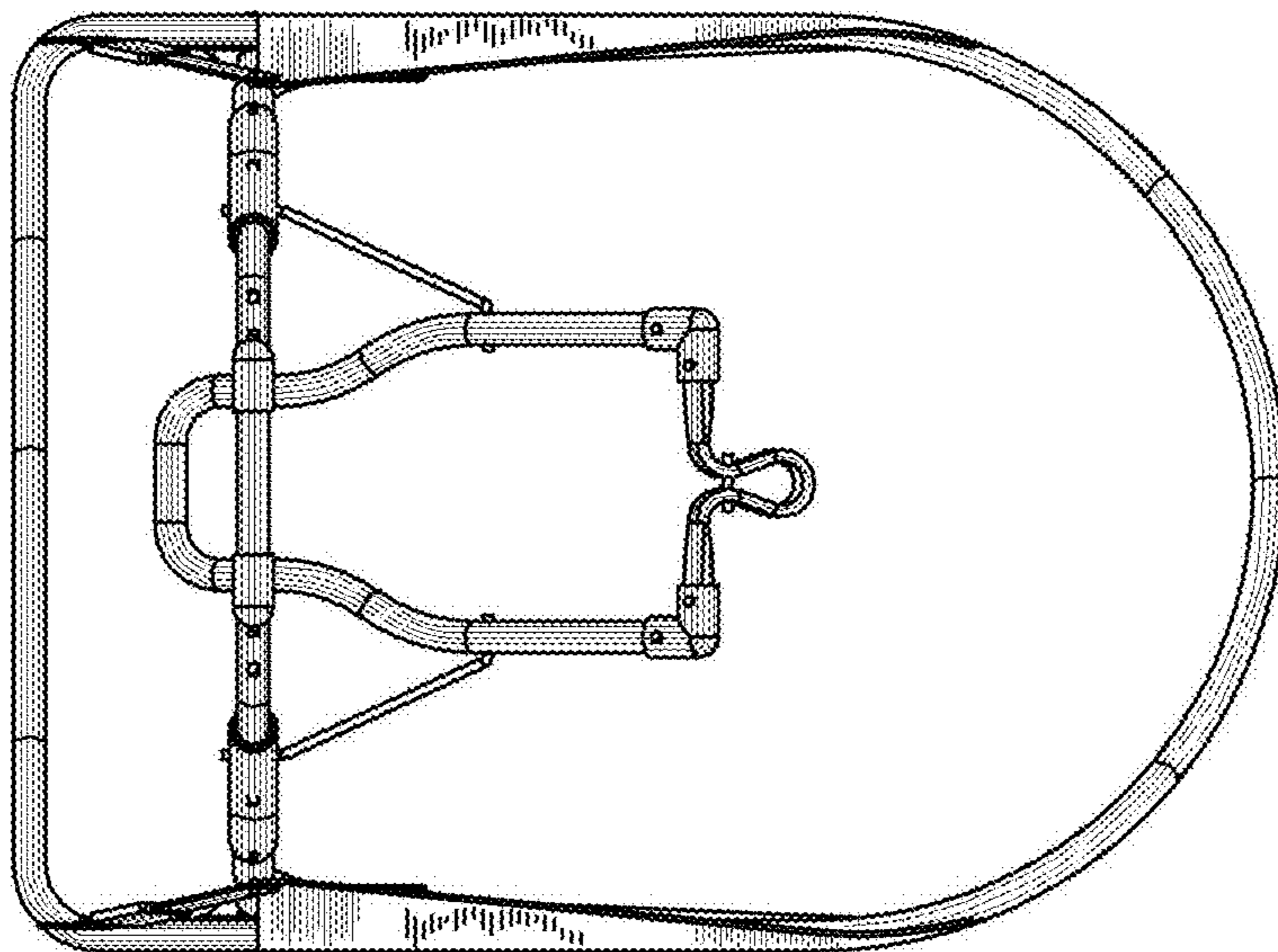


Fig. 4

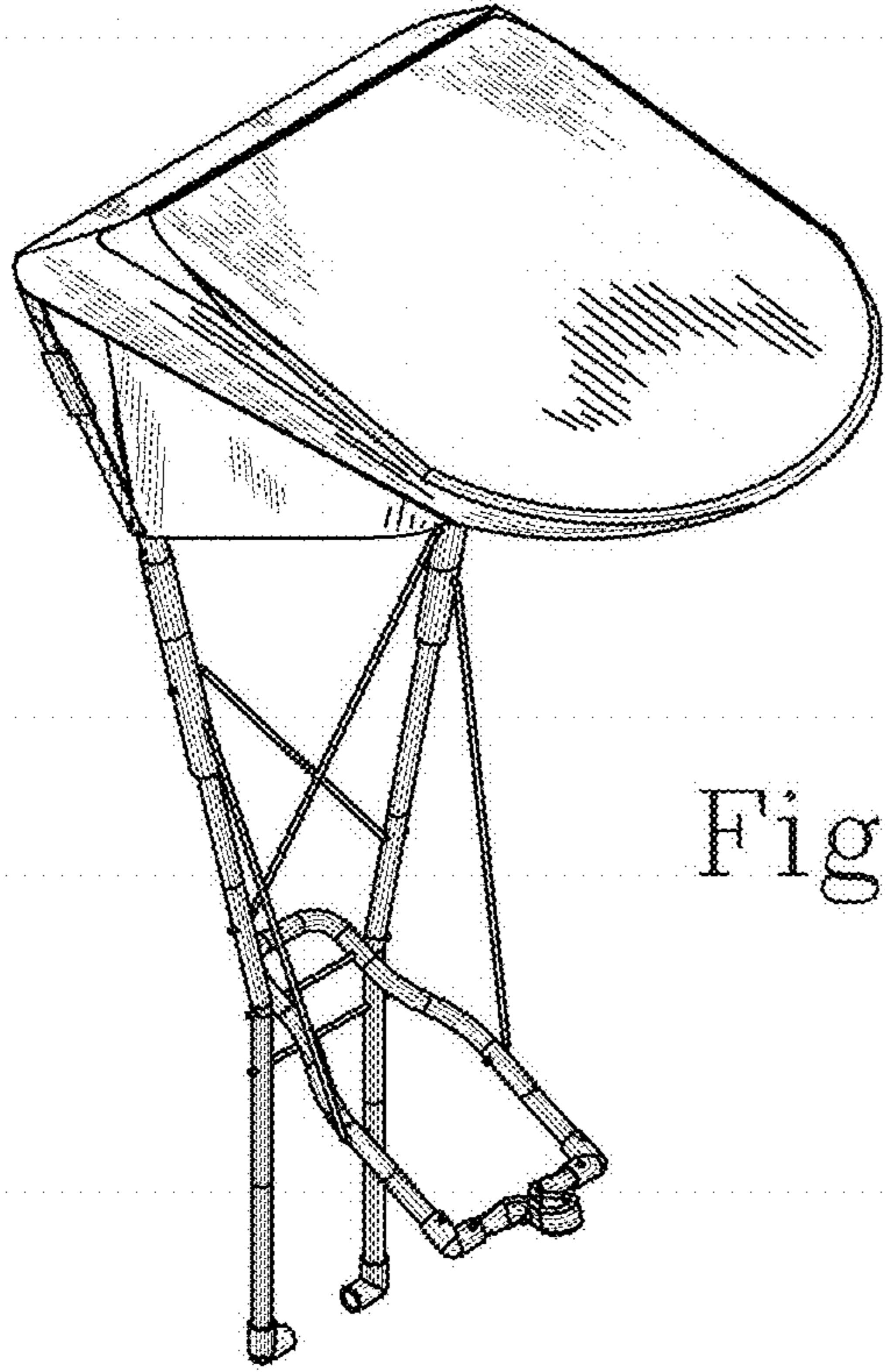


Fig. 5

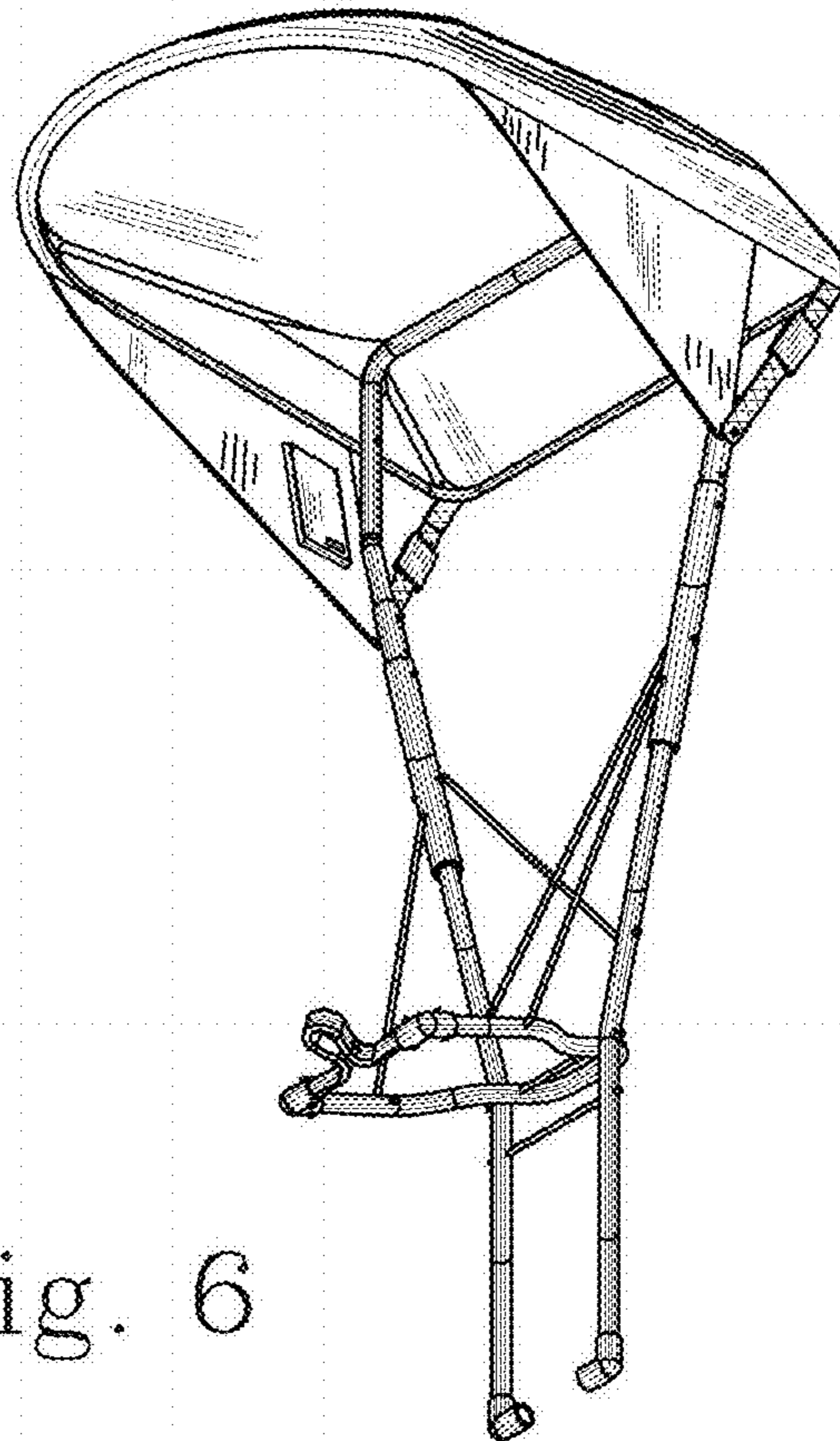


Fig. 6

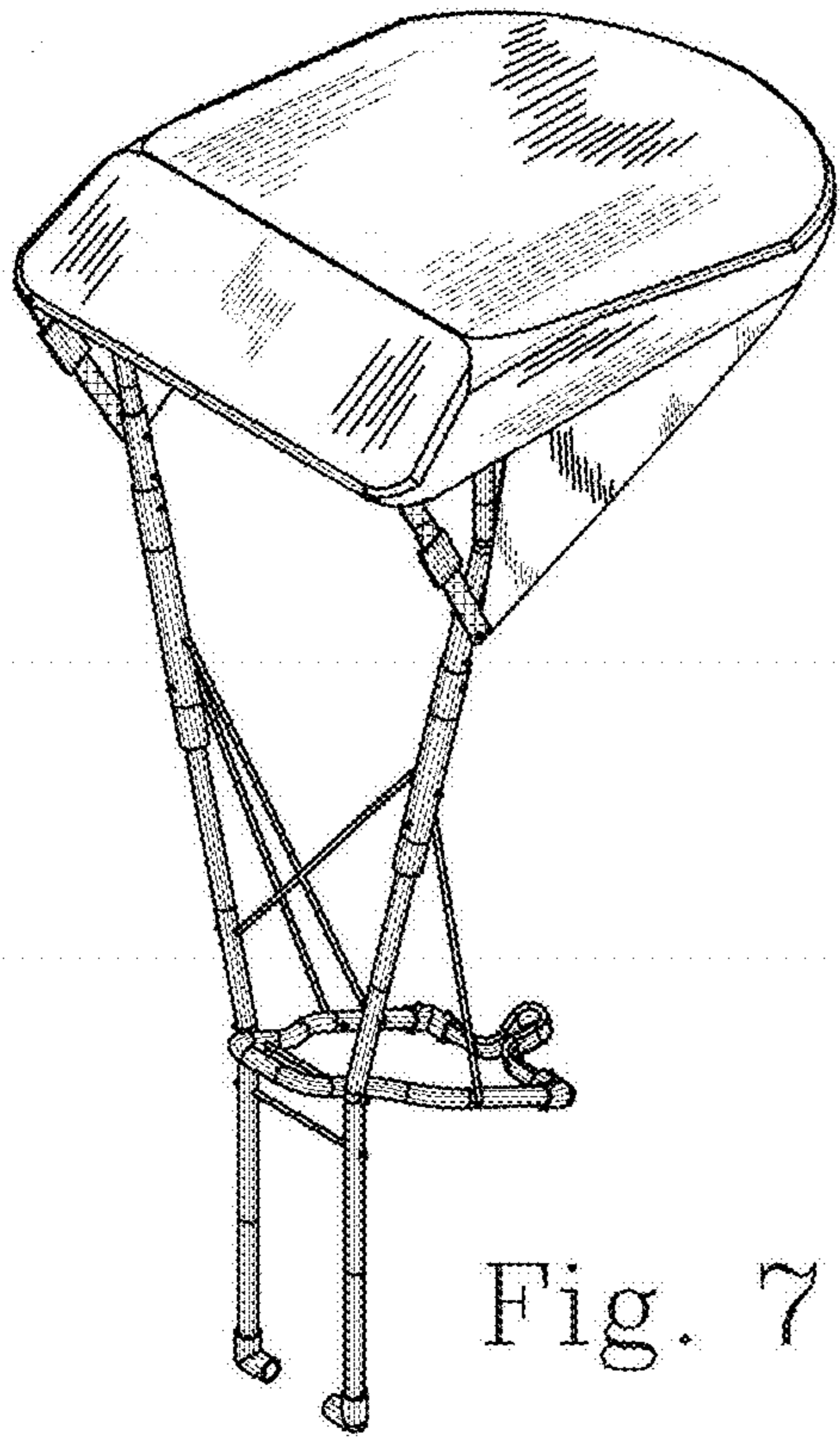


Fig. 7

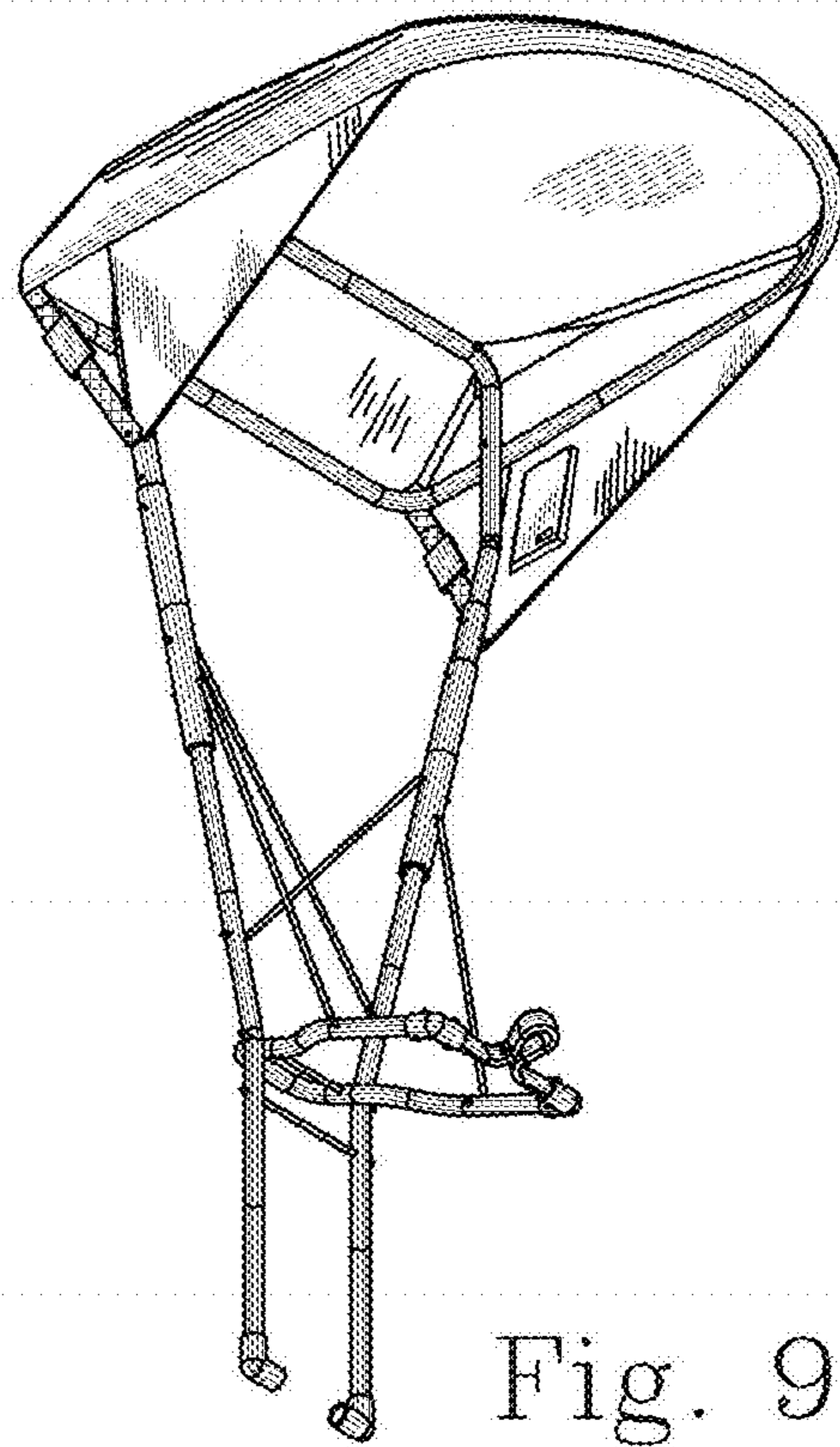


Fig. 9

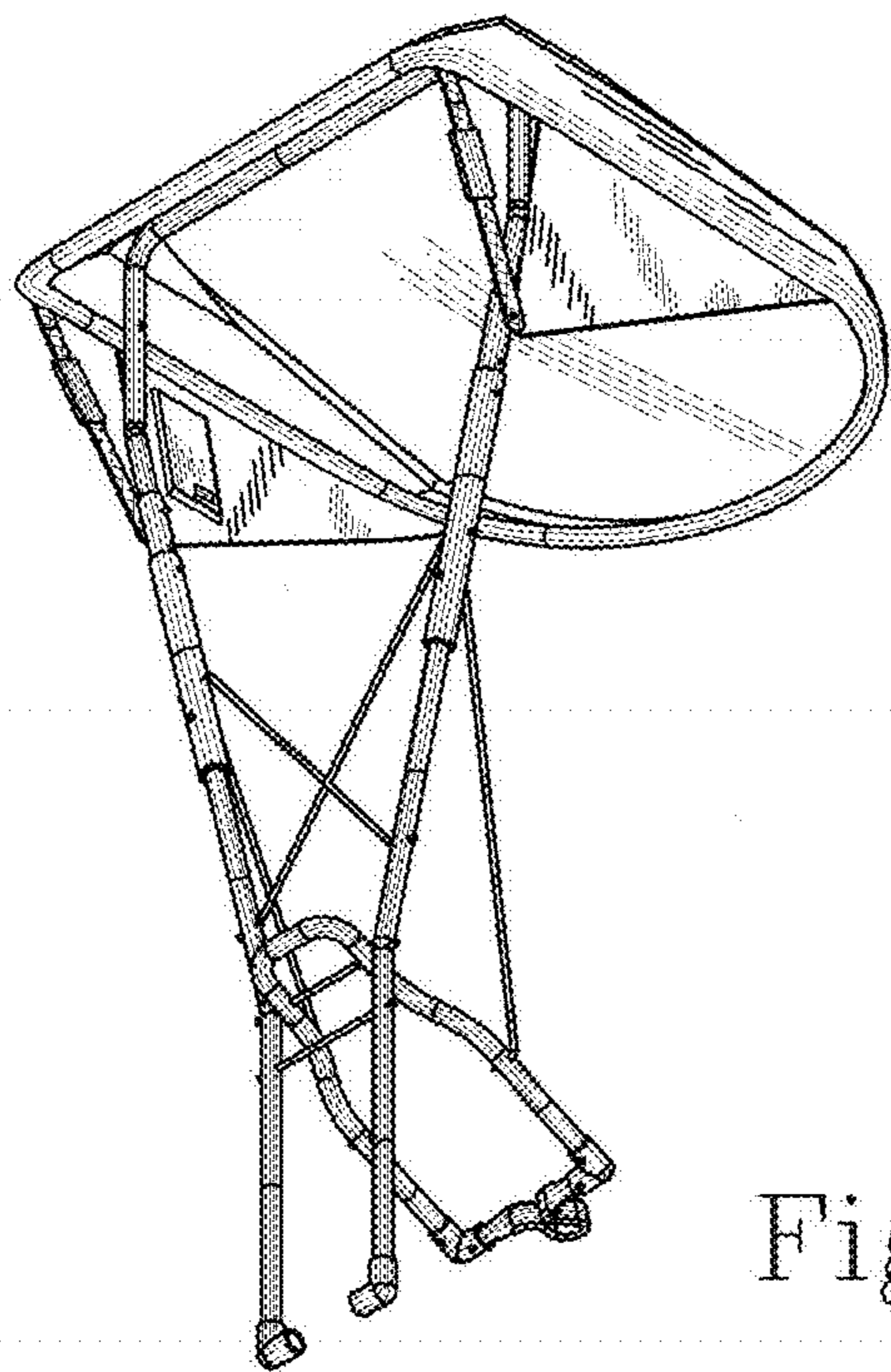


Fig. 8

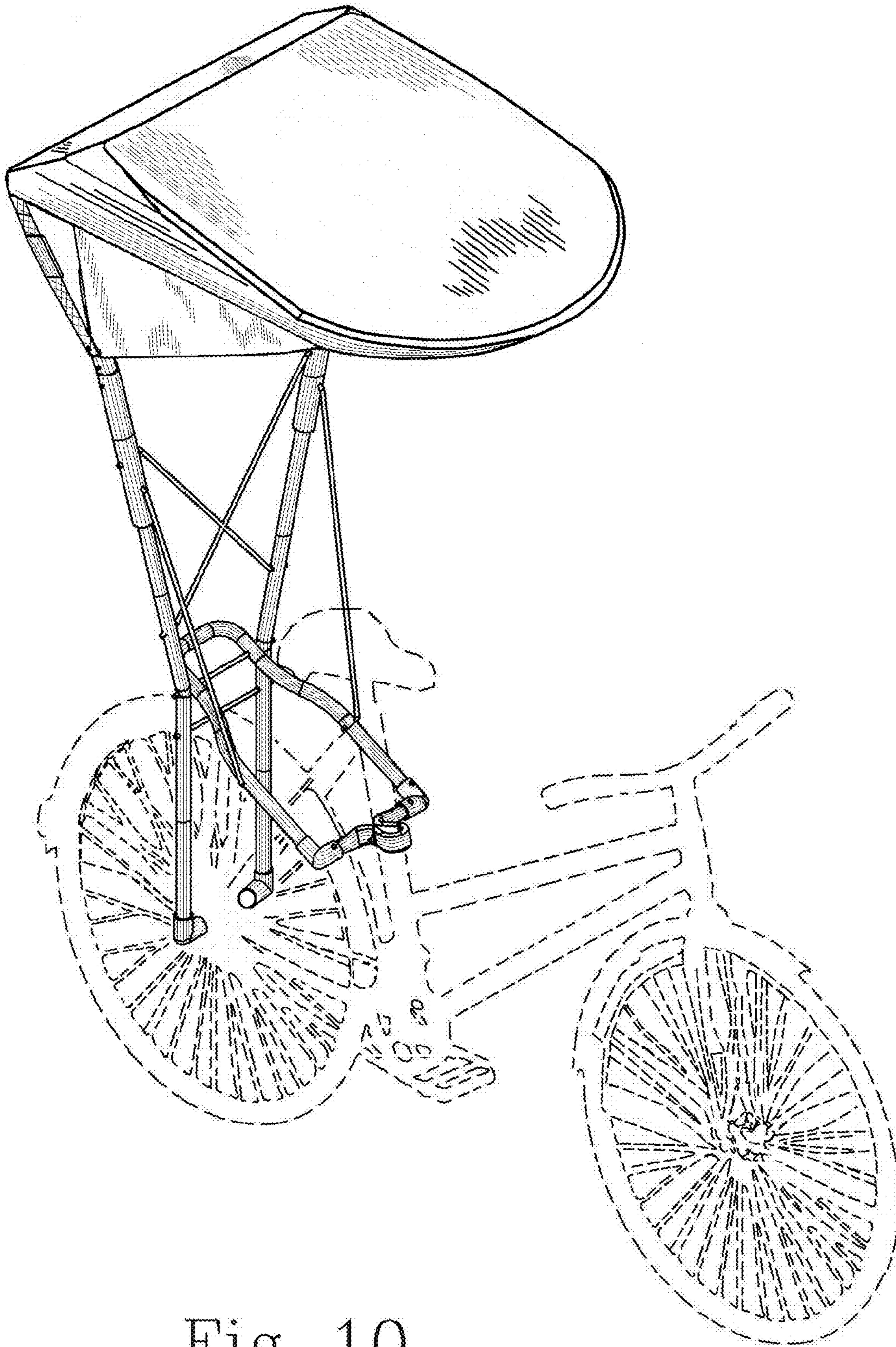


Fig. 10