



US00D737177S

(12) **United States Design Patent**  
**Watanabe**

(10) **Patent No.:** **US D737,177 S**

(45) **Date of Patent:** **\*\* Aug. 25, 2015**

(54) **AUTOMOBILE AND/OR REPLICA THEREOF**

(56)

**References Cited**

(71) Applicant: **Honda Motor Co., Ltd.**, Tokyo (JP)

(72) Inventor: **Takayuki Watanabe**, Wako (JP)

(73) Assignee: **Honda Motor Co., Ltd.**, Tokyo (JP)

(\*\*) Term: **14 Years**

(21) Appl. No.: **29/492,848**

(22) Filed: **Jun. 3, 2014**

(30) **Foreign Application Priority Data**

Dec. 6, 2013 (JP) ..... 2013-028767

(51) **LOC (10) Cl.** ..... **12-08**

(52) **U.S. Cl.**  
USPC ..... **D12/92**

(58) **Field of Classification Search**  
USPC ..... D12/86, 90-92; D21/421, 433, 434;  
296/181.1, 181.5  
CPC ..... B62D 35/00; B62D 25/00; B62D 25/06;  
B62D 25/08; B62D 33/00

See application file for complete search history.

U.S. PATENT DOCUMENTS

D667,343	S	*	9/2012	Fukui et al.	.....	D12/92
D667,344	S	*	9/2012	Matsuno et al.	.....	D12/92
D667,345	S	*	9/2012	Tanai et al.	.....	D12/92
D667,756	S	*	9/2012	Asakura et al.	.....	D12/92
D672,689	S	*	12/2012	Kubota et al.	.....	D12/92
D684,898	S	*	6/2013	Minami	.....	D12/92
D704,598	S	*	5/2014	Mueller	.....	D12/92
D722,920	S	*	2/2015	Minami et al.	.....	D12/92

\* cited by examiner

*Primary Examiner* — Melody N Brown

(74) *Attorney, Agent, or Firm* — Plumsea Law Group, LLC

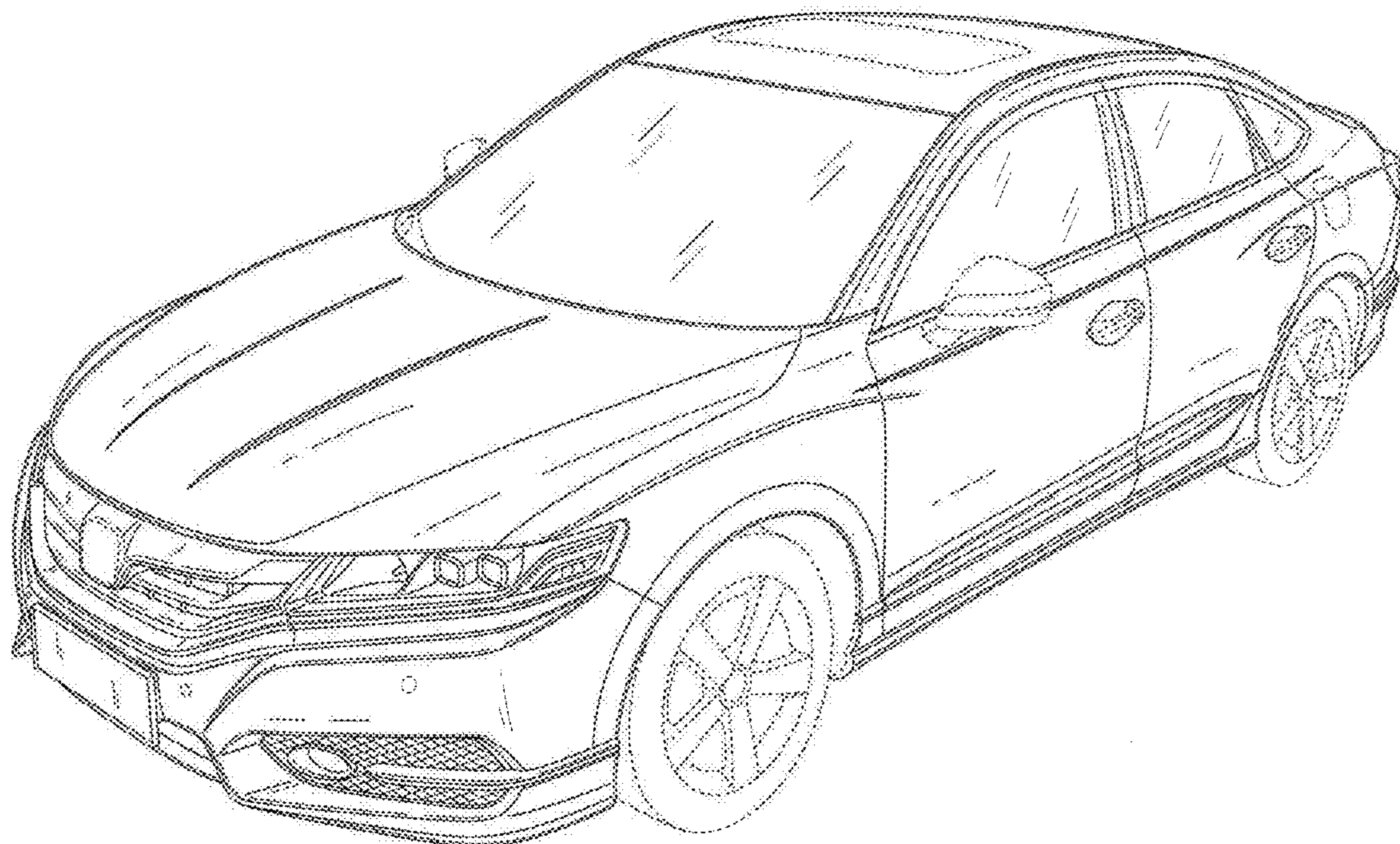
(57) **CLAIM**

The ornamental design for, an automobile and/or replica thereof, as shown and described.

**DESCRIPTION**

FIG. 1 is a front and right side view of an automobile and/or replica thereof, showing our new design;  
FIG. 2 is a rear and right side perspective view thereof;  
FIG. 3 is a front elevation view thereof;  
FIG. 4 is a rear elevation view thereof;  
FIG. 5 is a top plan view thereof;  
FIG. 6 is a right side elevation view thereof; and,  
FIG. 7 is a left side elevation view thereof.  
The broken lines are for illustrative purposes only and form no part of the claimed design.

**1 Claim, 7 Drawing Sheets**





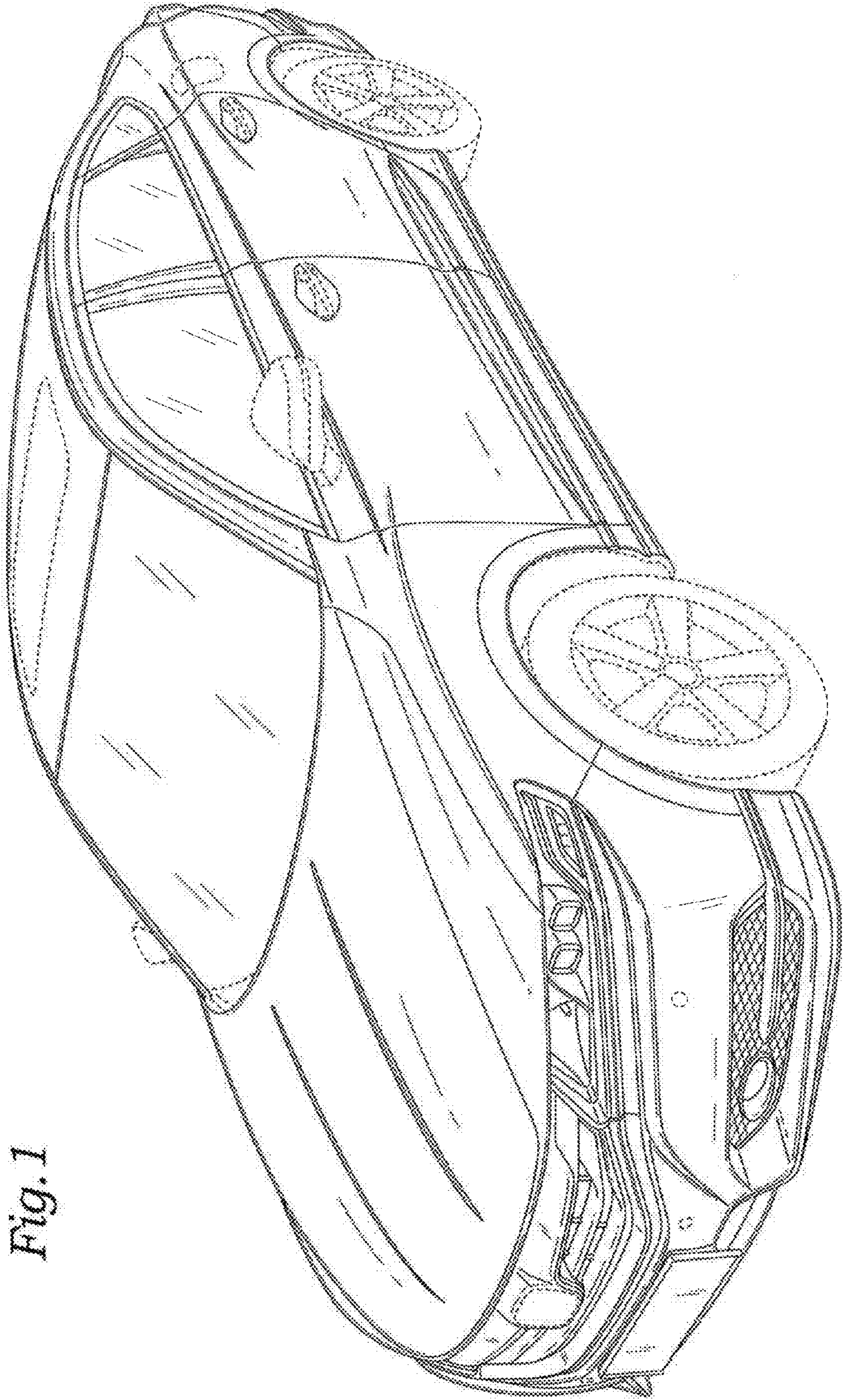


Fig. 1



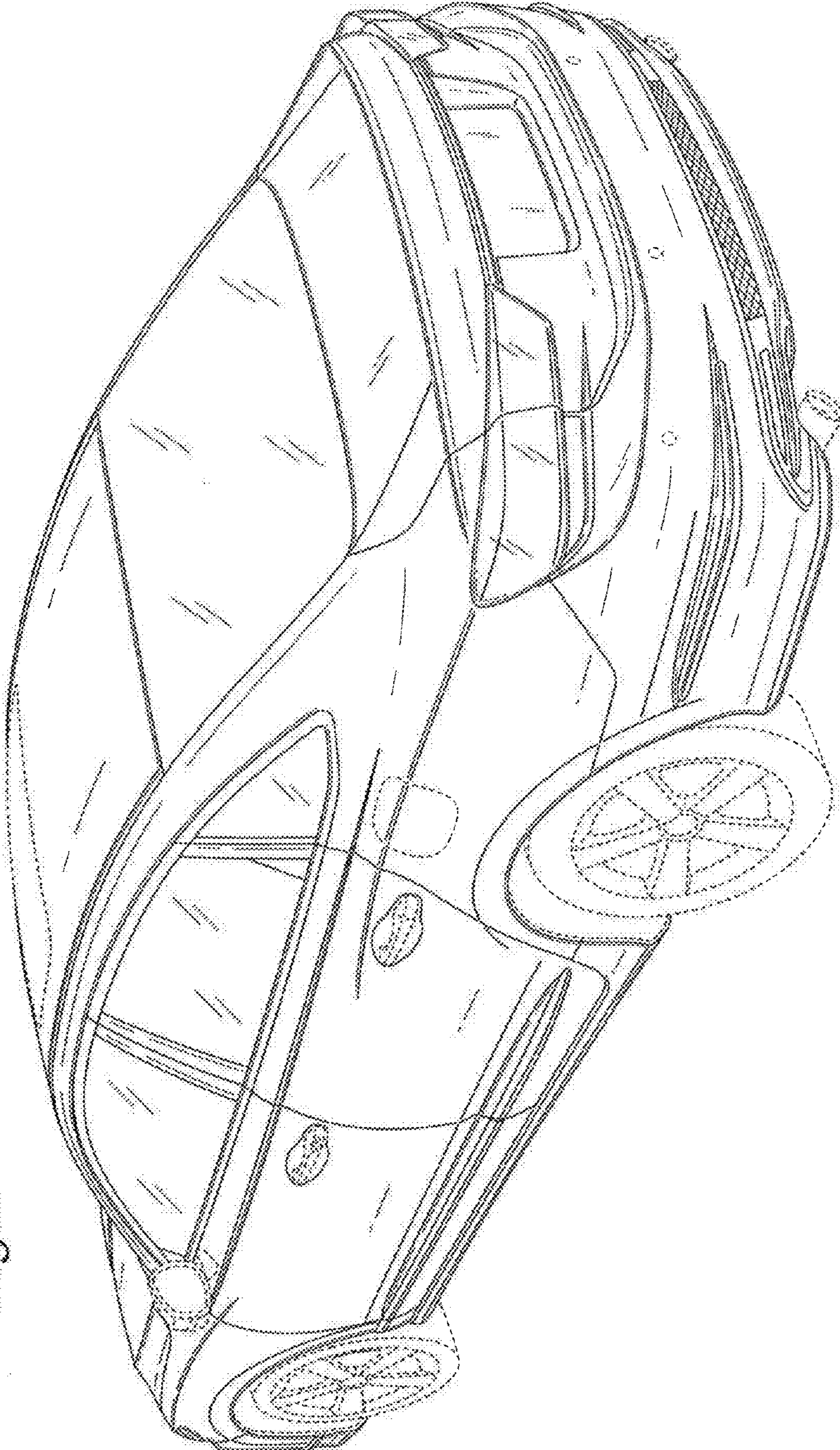


Fig. 2

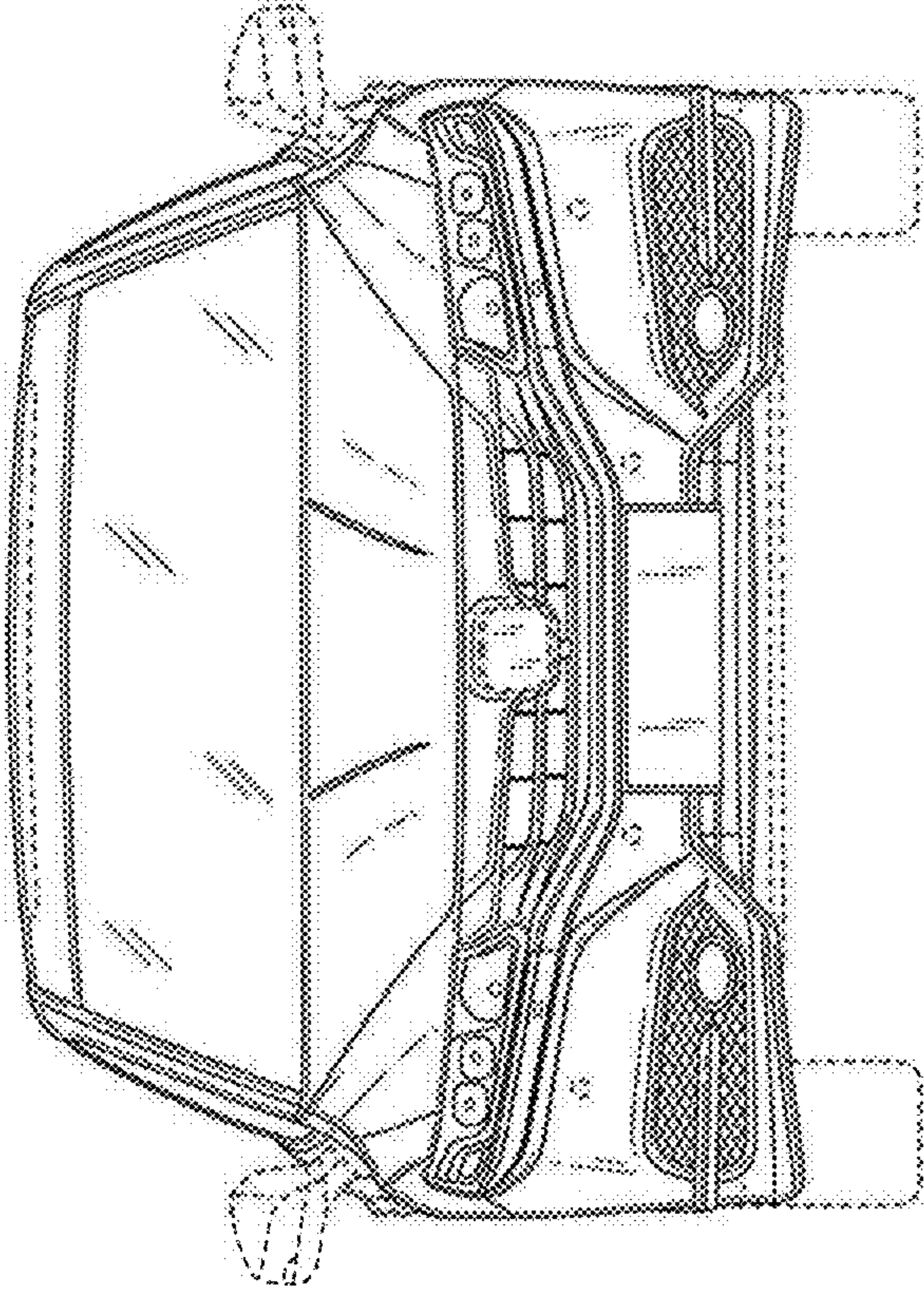


Fig. 3



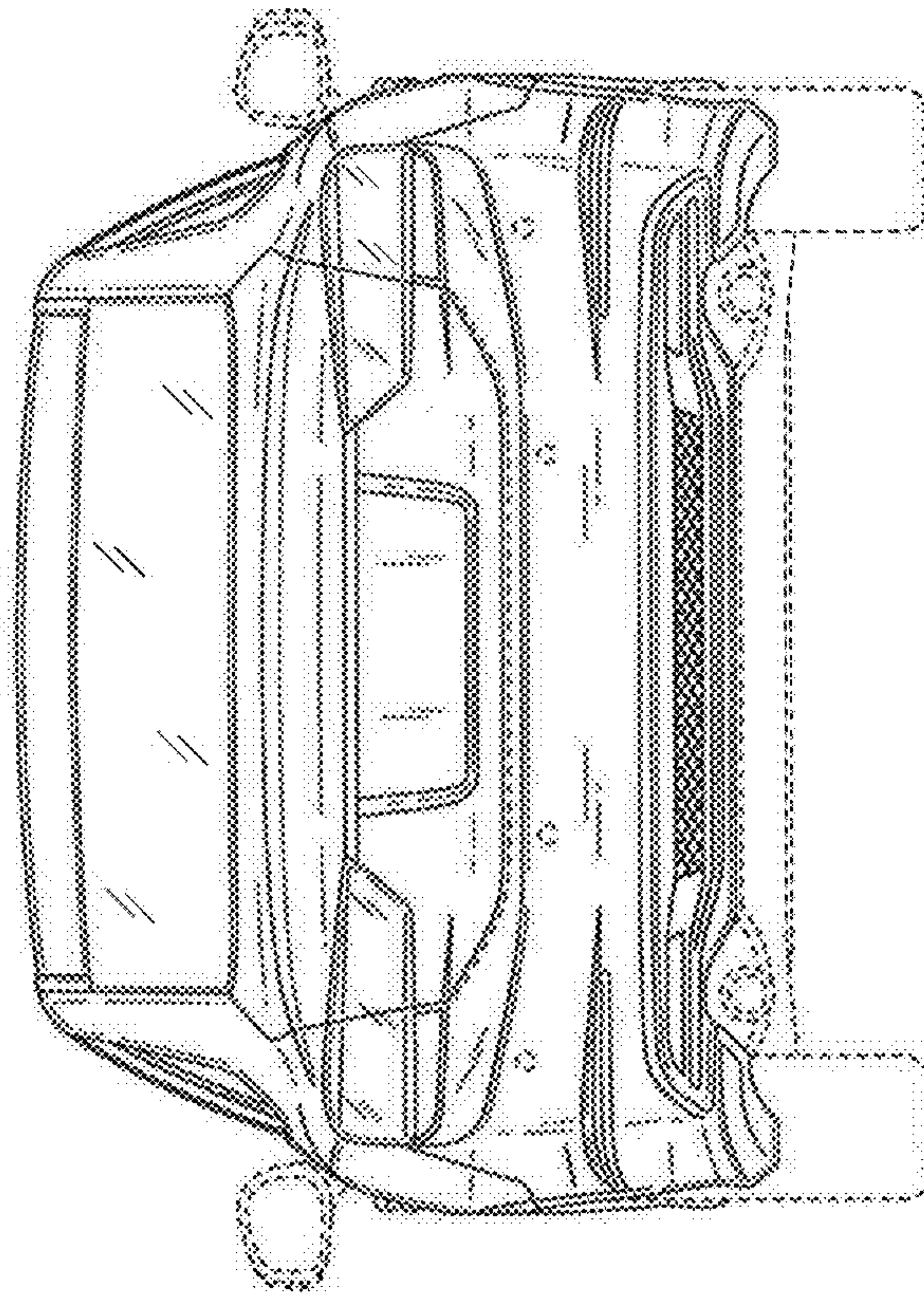


Fig. 4

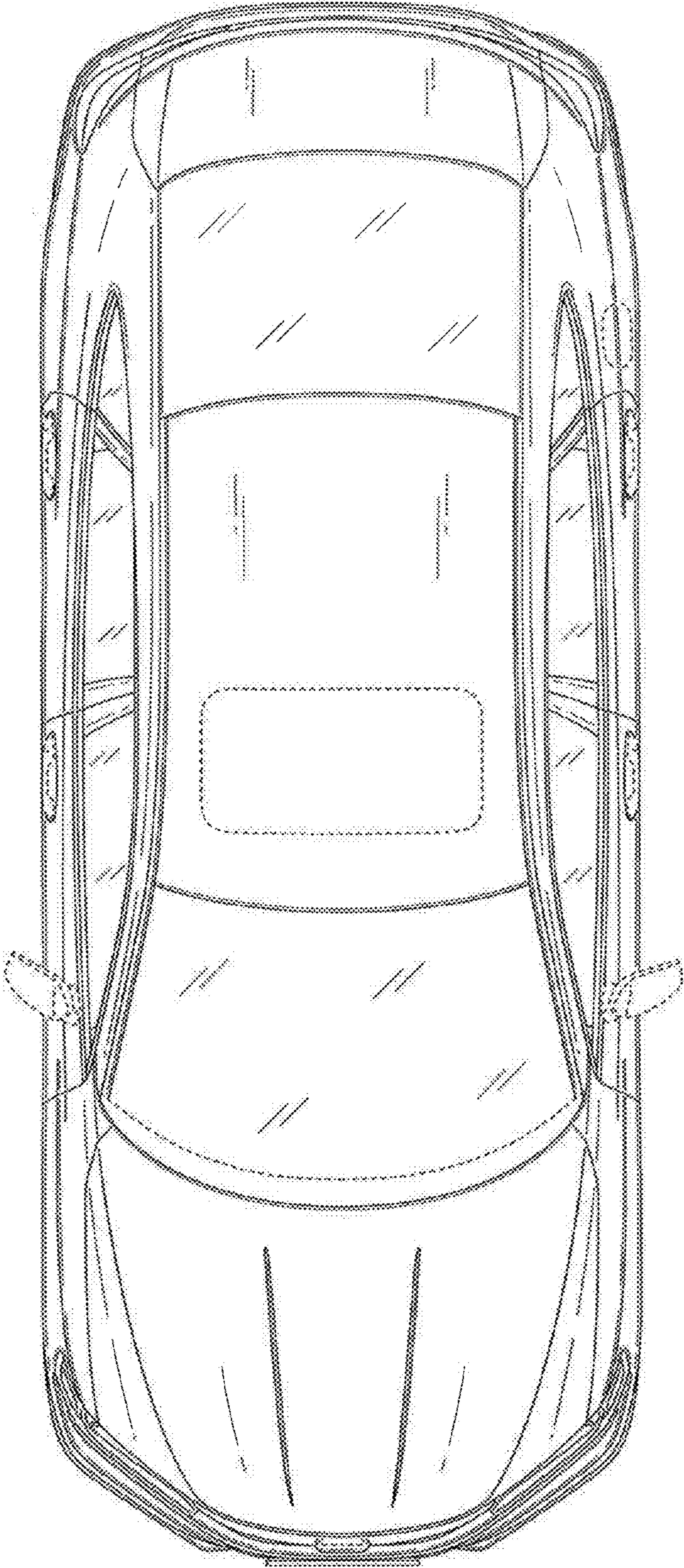


Fig. 5



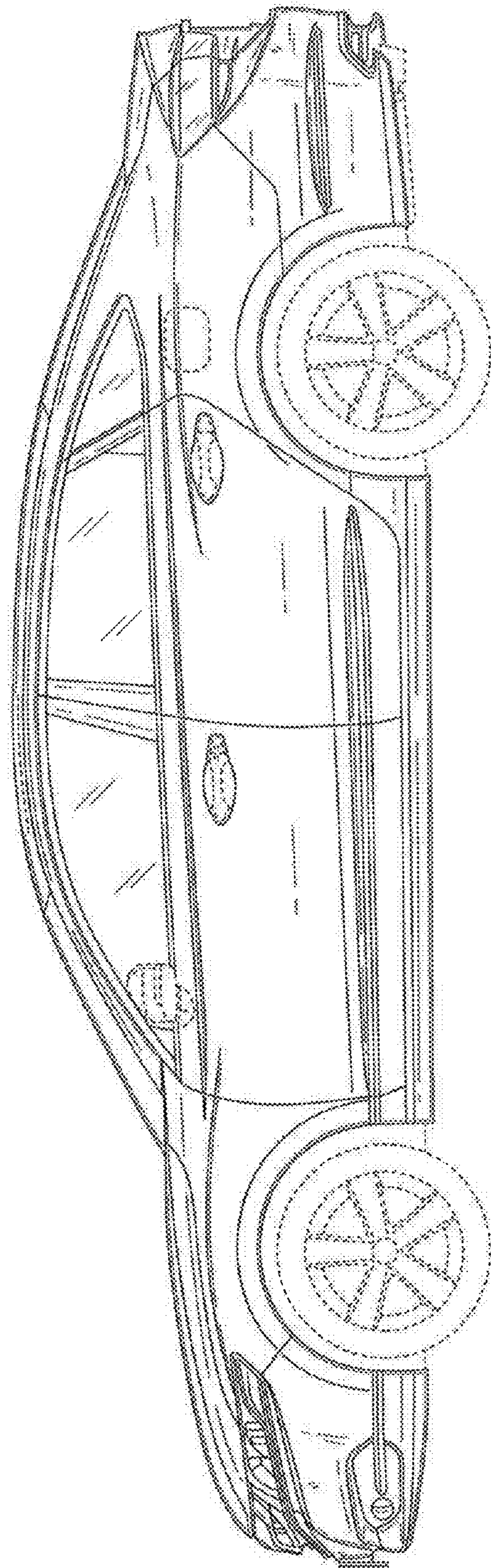


Fig. 6

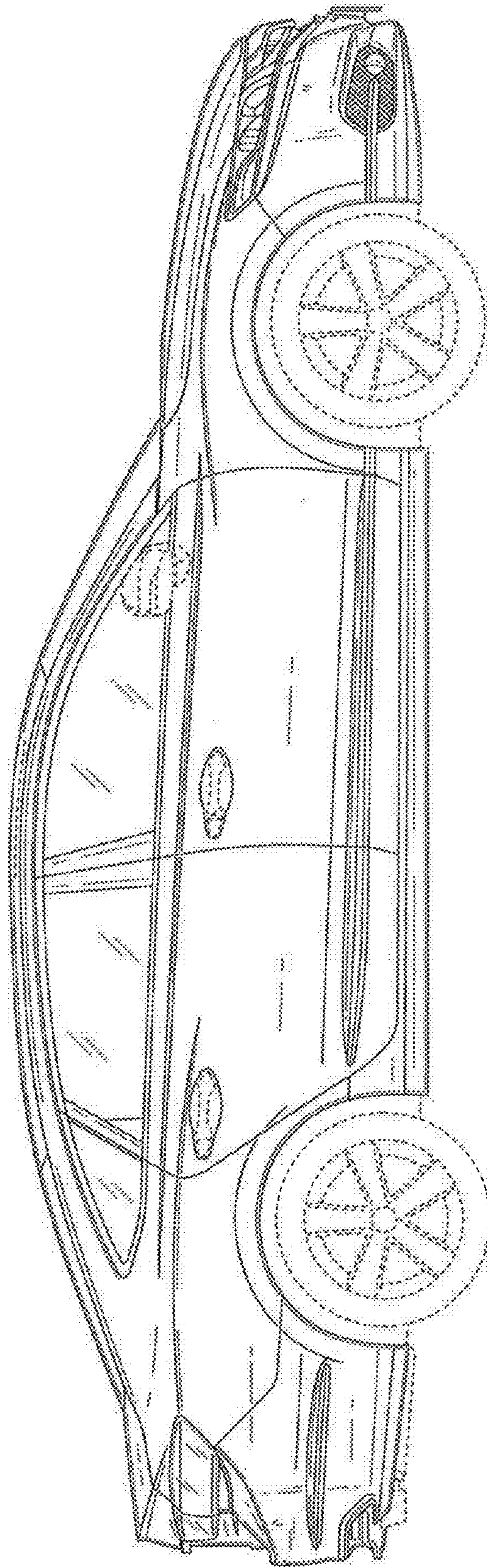


Fig. 7