

US00D737172S

(12) **United States Design Patent**  
**Calkin**

(10) **Patent No.:** **US D737,172 S**

(45) **Date of Patent:** **\*\* Aug. 25, 2015**

(54) **WATER-FILLABLE HUMAN BODY SIMULATOR**

(71) Applicant: **Skedco, Inc.**, Tualatin, OR (US)

(72) Inventor: **Carston R. Calkin**, Tualatin, OR (US)

(73) Assignee: **Skedco, Inc.**, Tualatin, OR (US)

(\*\*) Term: **14 Years**

(21) Appl. No.: **29/469,874**

(22) Filed: **Oct. 15, 2013**

(51) **LOC (10) Cl.** ..... **11-02**

(52) **U.S. Cl.**  
USPC ..... **D11/160**

(58) **Field of Classification Search**  
USPC ..... D11/160; D99/3, 99; D21/623, 781,  
D21/788, 798, 803, 808; D19/62; 446/26,  
446/27, 28, 97, 156, 159, 186, 267;  
473/441-445; 434/268

See application file for complete search history.

(56) **References Cited**

U.S. PATENT DOCUMENTS

875,954	A *	1/1908	Rouech et al. ....	446/372
D71,917	S *	1/1927	Kotolidis et al. ....	D21/398
D216,116	S *	11/1969	Holman et al. ....	D99/3
D285,952	S *	9/1986	Morgan .....	D21/623
D410,986	S *	6/1999	Luedke et al. ....	D21/798
D415,200	S *	10/1999	Carpenter et al. ....	D19/62
D429,500	S *	8/2000	Brault et al. ....	D19/62
D457,216	S *	5/2002	Friar .....	D21/808
6,438,853	B1 *	8/2002	Gordon et al. ....	33/2 R
D645,524	S *	9/2011	Maalouf .....	D21/623
D665,865	S *	8/2012	Goolie et al. ....	D21/803
D678,444	S *	3/2013	Jordan .....	D21/788
D679,769	S *	4/2013	Staten et al. ....	D21/788
2002/0191669	A1 *	12/2002	Fan et al. ....	374/45

(Continued)

FOREIGN PATENT DOCUMENTS

DE 10 2009 056 156 A1 6/2011  
WO WO 2010/101535 A1 9/2010

OTHER PUBLICATIONS

Skedco Patient Simulator Training Aide, Skedco, Stretchers, Rescue Catalog, rocknrescue.com, Searched Jan. 13, 2015, <http://www.rocknrescue.com/acatalog/Skedco-Patient-Simulator-Training-Aide.html>.\*

Skedco Patient Simulators, Hazmat, Products, skedco.com, Searched Jan. 13, 2015, <http://skedco.com/product/skedco-patient-simulators-average-size/>.\*

(Continued)

*Primary Examiner* — John Windmuller

*Assistant Examiner* — Steven Czyz

(74) *Attorney, Agent, or Firm* — Stoel Rives LLP; Robert R. Teel

(57) **CLAIM**

I claim the ornamental design for a water-fillable human body simulator, as shown and described.

**DESCRIPTION**

FIG. 1 is an isometric view of a water-fillable human body simulator.

FIG. 2 is a rear elevation view of the water-fillable human body simulator of FIG. 1.

FIG. 3 is a front elevation view of the water-fillable human body simulator of FIG. 1.

FIG. 4 is a left side elevation view of the water-fillable human body simulator of FIG. 1. A right side elevation view is a mirror image of the left side elevation view.

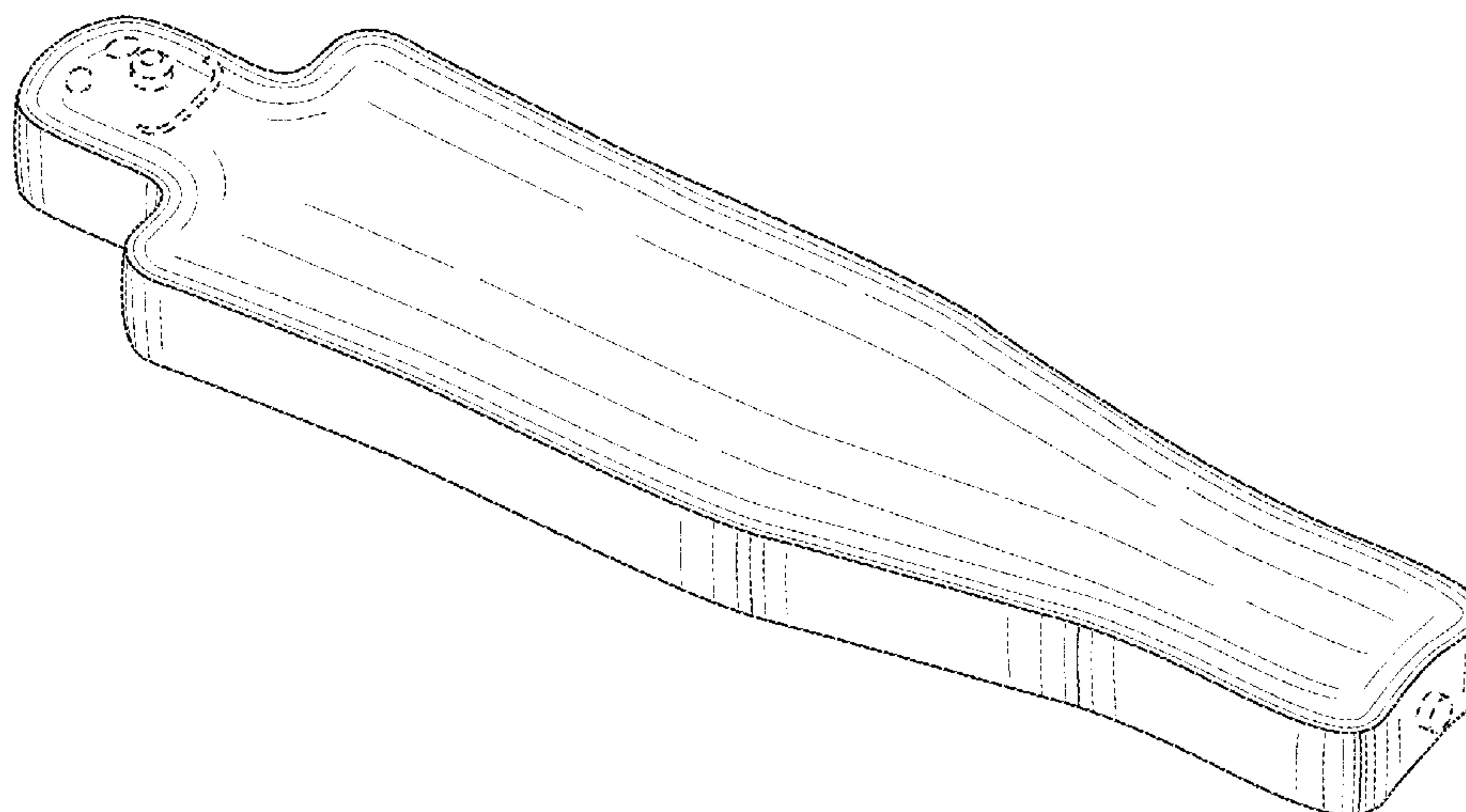
FIG. 5 is a top plan view of the water-fillable human body simulator of FIG. 1.

FIG. 6 is a bottom plan view of the water-fillable human body simulator of FIG. 1; and,

FIG. 7 is an isometric view of the water-fillable human body simulator of FIG. 1 deployed in a rescue stretcher.

The broken lines are included for the purpose of illustrating environment and portions of the article that form no part of the claimed design.

**1 Claim, 4 Drawing Sheets**



(56)

**References Cited**

U.S. PATENT DOCUMENTS

2004/0101814	A1 *	5/2004	Morris et al. ....	434/268
2005/0100872	A1 *	5/2005	Hoster .....	434/262
2006/0003301	A1 *	1/2006	Biggins .....	434/267
2007/0131043	A1 *	6/2007	Frost .....	73/866.4
2011/0152014	A1 *	6/2011	Staten et al. ....	473/445
2012/0285905	A1 *	11/2012	Engum et al. ....	211/1.57

OTHER PUBLICATIONS

ETD Technical Trading, "ETD—Technical Trading—StarBart-, Bart-, BigBart-Ballast-Manikins, SAE J826 H-Point-Manikin—ATD Crash-Test-Dummies (Crash-Test-Figures)", [http://web.archive.org/web/20130702183614/http://ballast-test-dummies.com/uk/uk\\_k04\\_bigbart.html](http://web.archive.org/web/20130702183614/http://ballast-test-dummies.com/uk/uk_k04_bigbart.html), archived Jul. 2, 2013.

Calkin, U.S. Appl. No. 14/506,474, filed Oct. 3, 2014, titled Human Body Simulator for Transport Litter Testing and Training.

\* cited by examiner

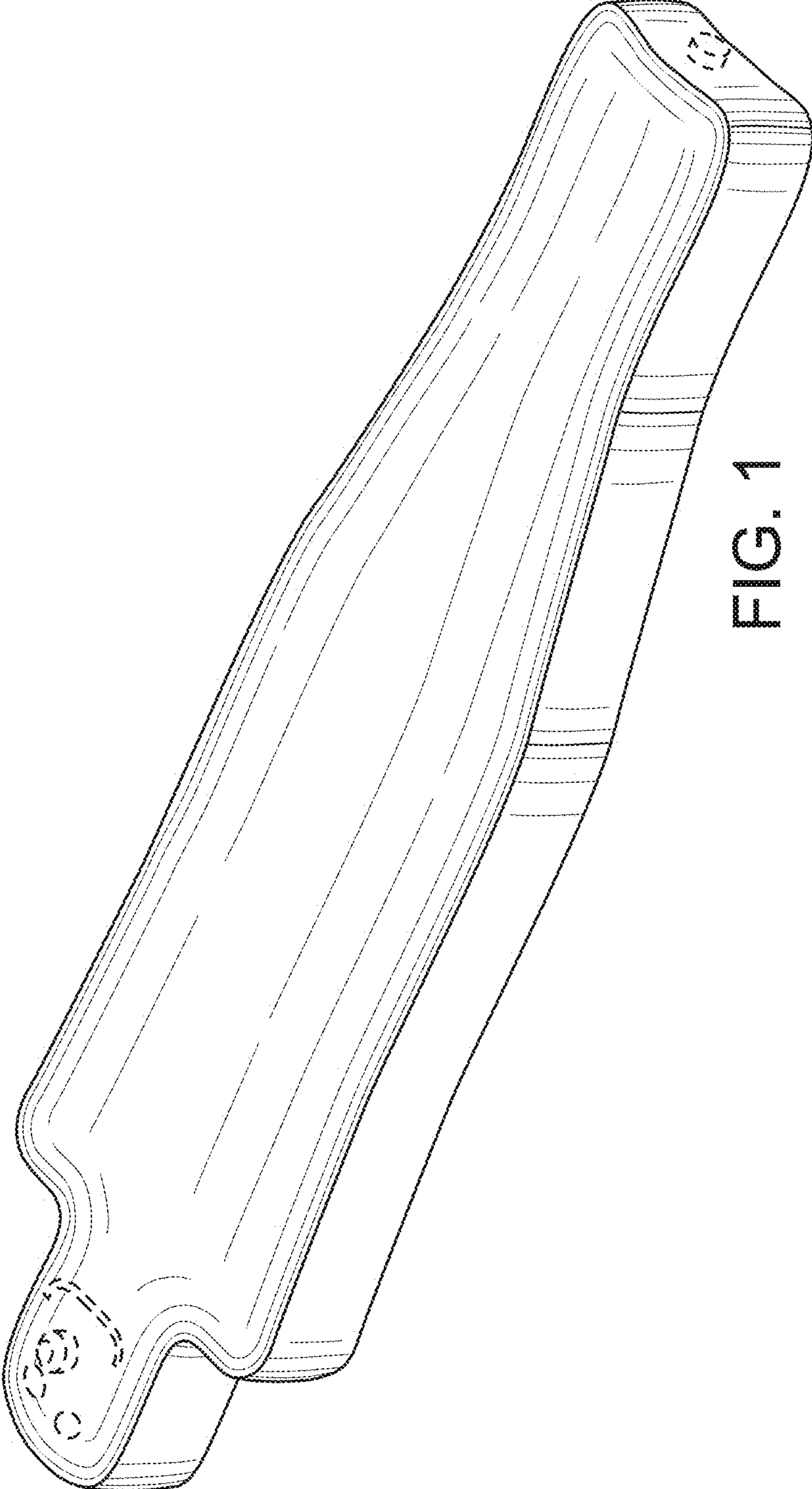


FIG. 1

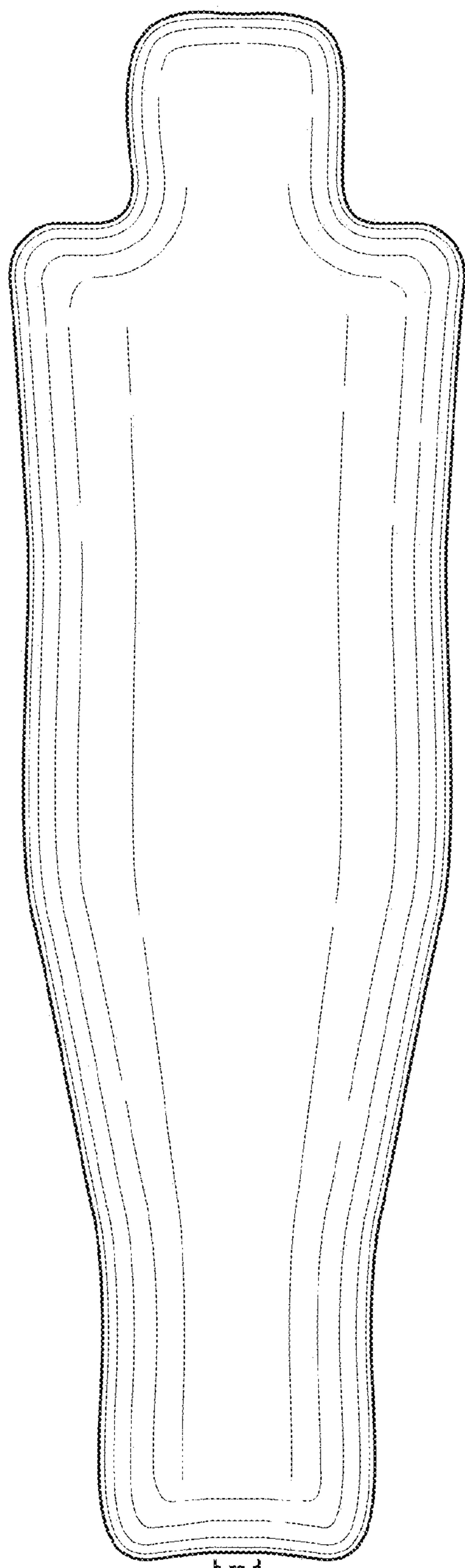


FIG. 2

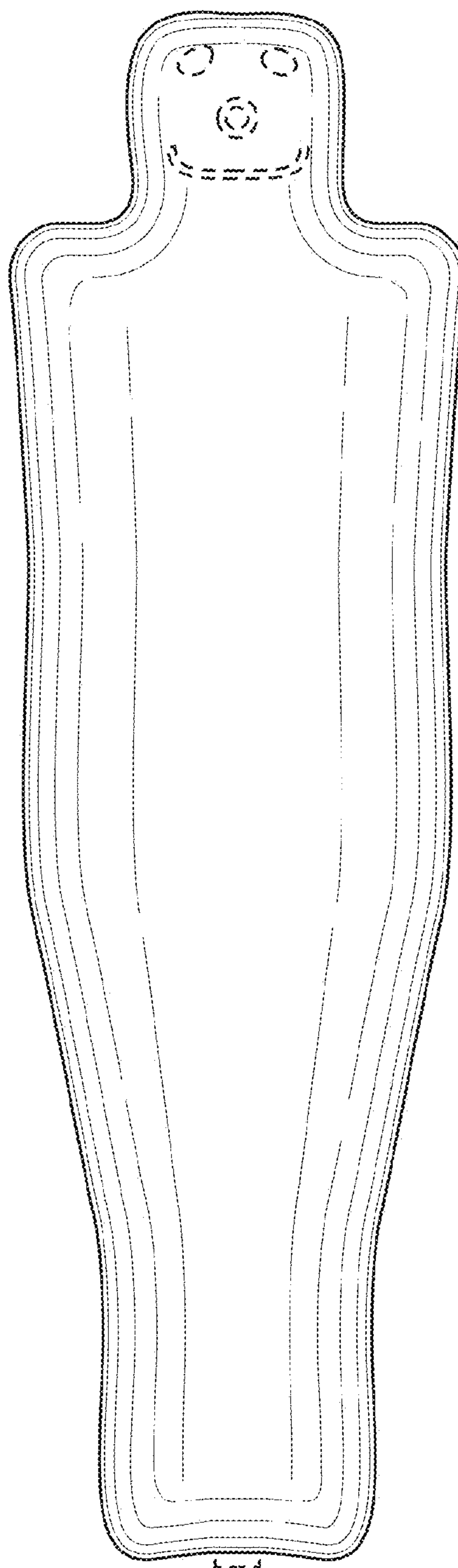


FIG. 3



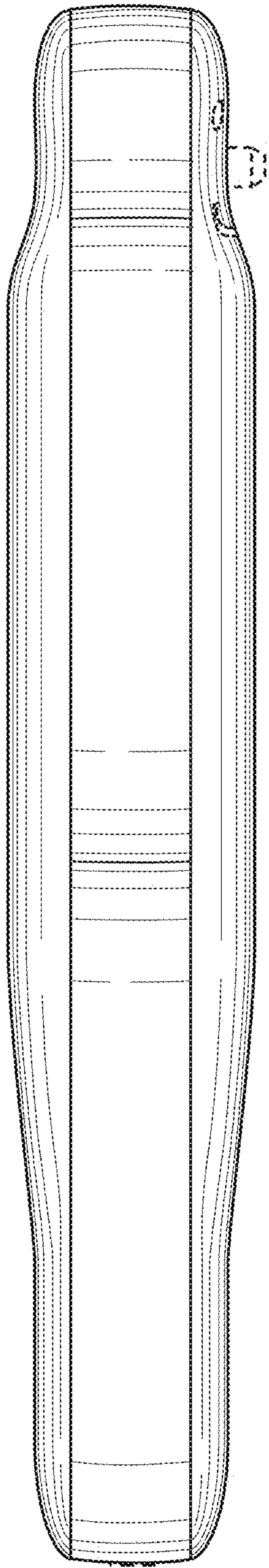


FIG. 4

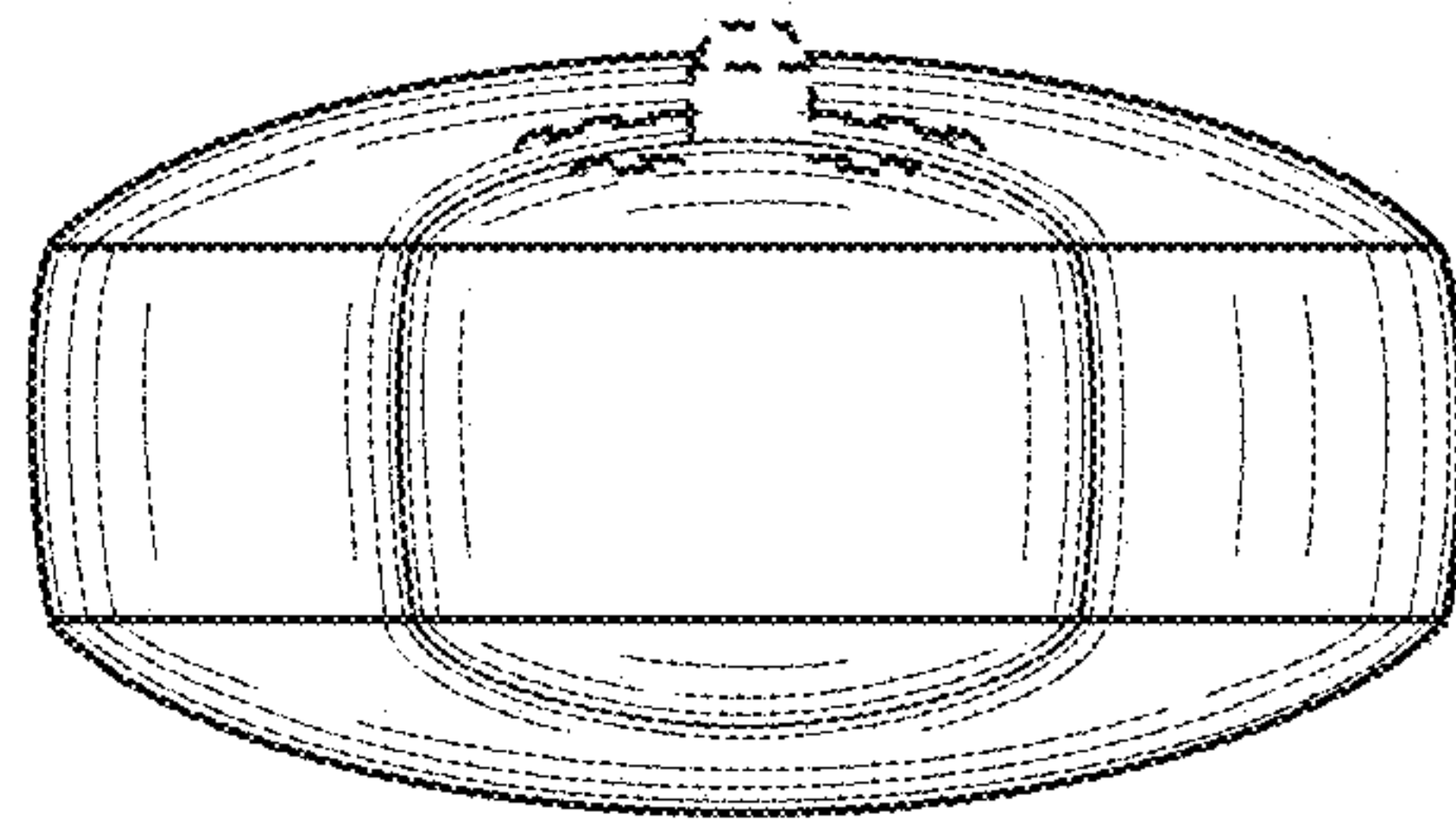


FIG. 5

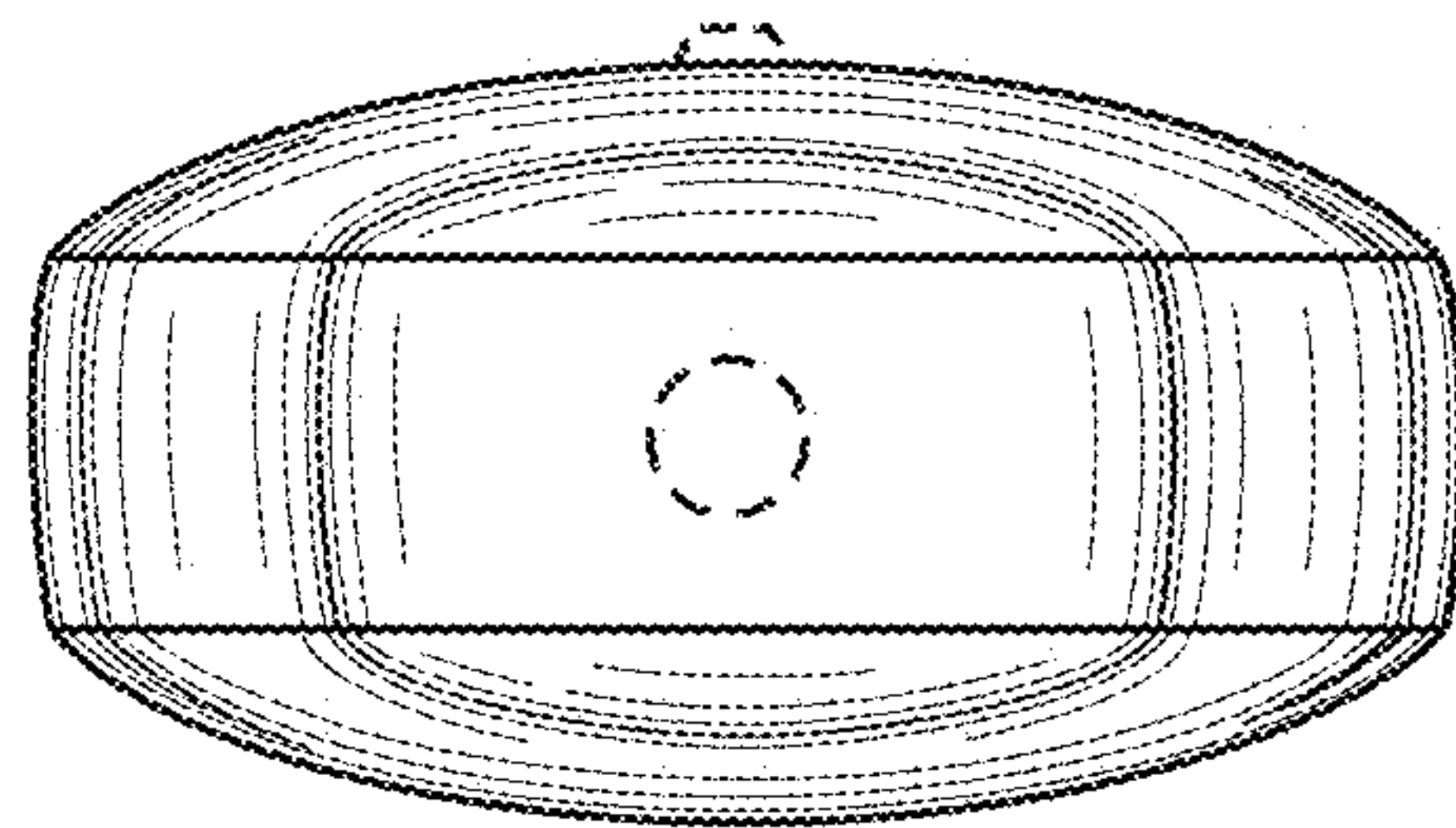


FIG. 6

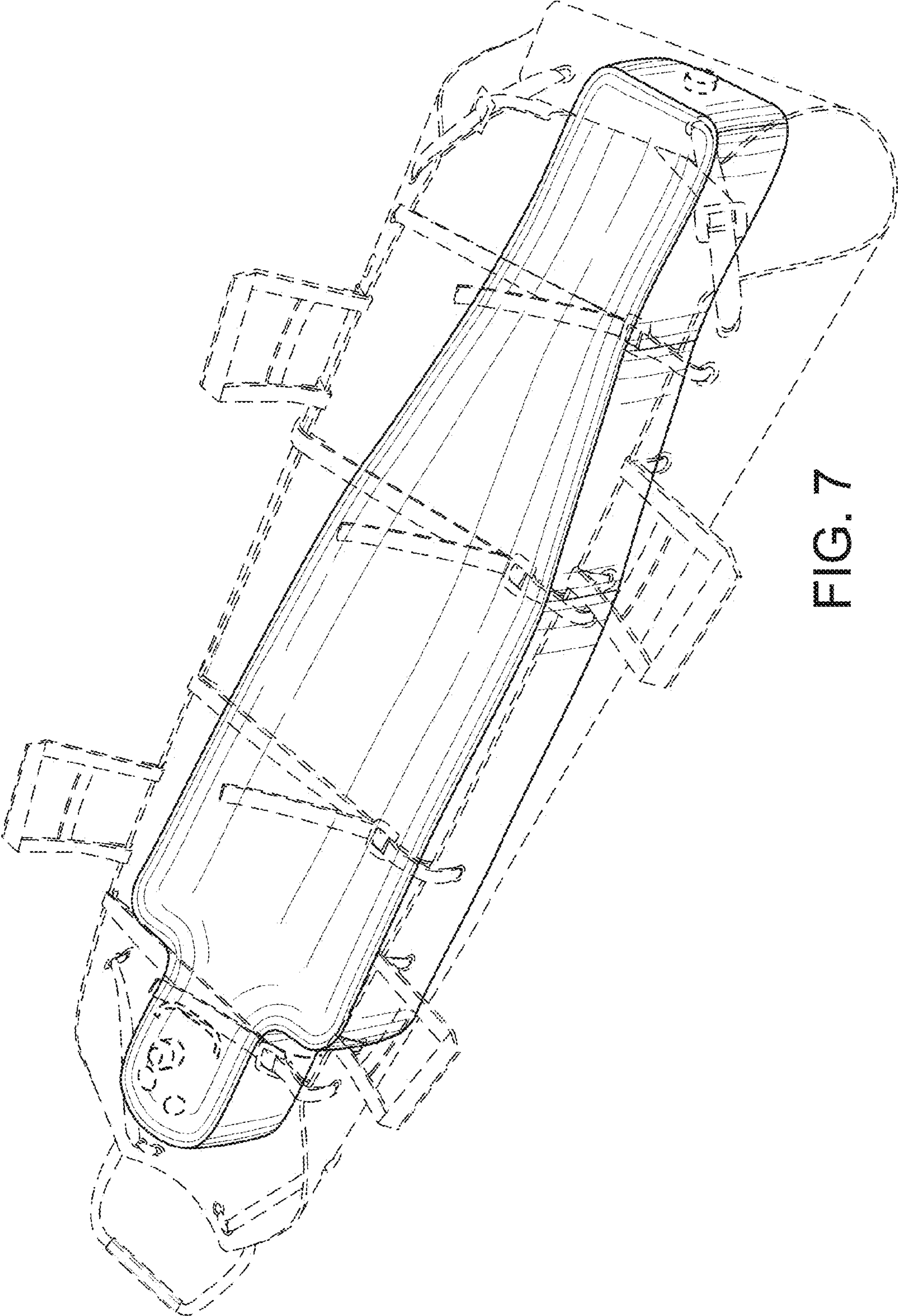


FIG. 7