



US00D737171S

(12) **United States Design Patent**
Walter et al.

(10) **Patent No.:** **US D737,171 S**

(45) **Date of Patent:** **** *Aug. 25, 2015**

(54) **TREE SKIRT**

(71) Applicants: **Camille D Walter**, St. Louis, MO (US);
Angela J Anderson, St. Louis, MO
(US); **Deborah K Baker**, Denver, CO
(US); **Jessica L Kreager**, Cedar Park,
TX (US)

(72) Inventors: **Camille D Walter**, St. Louis, MO (US);
Angela J Anderson, St. Louis, MO
(US); **Deborah K Baker**, Denver, CO
(US); **Jessica L Kreager**, Cedar Park,
TX (US)

(*) Notice: This patent is subject to a terminal dis-
claimer.

(**) Term: **14 Years**

(21) Appl. No.: **29/506,427**

(22) Filed: **Oct. 15, 2014**

(51) **LOC (10) Cl.** **11-05**

(52) **U.S. Cl.**
USPC **D11/130**

(58) **Field of Classification Search**
USPC D11/117, 118, 121, 125, 130, 130.1,
D11/131, 142, 143, 144, 152, 153, 154,
D11/164; D2/500, 502, 600, 602, 609, 775,
D2/861; 2/116, 129, 131; 428/7, 8, 9, 12,
428/18, 19, 20, 66.6; 206/423; 47/40.5
See application file for complete search history.

(56) **References Cited**

U.S. PATENT DOCUMENTS

| | | | | | | |
|-----------|---|---|--------|--------------|-------|-----------|
| 1,853,164 | A | * | 4/1932 | Block | | 362/134 |
| 2,044,192 | A | * | 6/1936 | Templin, Jr. | | 47/40.5 |
| D108,297 | S | * | 2/1938 | Pitt | | D11/130.1 |
| D115,902 | S | * | 8/1939 | Barton | | D11/130.1 |
| D188,862 | S | * | 9/1960 | Krastel | | D11/130.1 |

| | | | | | | |
|----------|---|---|---------|----------------|-------|-----------|
| D229,758 | S | * | 1/1974 | Bartel | | D11/130 |
| D269,571 | S | * | 7/1983 | Geshwind | | D11/130.1 |
| D280,979 | S | * | 10/1985 | Groth | | D11/130 |
| D307,729 | S | * | 5/1990 | Zonni | | D11/130.1 |
| D329,208 | S | * | 9/1992 | Bowling et al. | | D11/130.1 |
| D330,875 | S | * | 11/1992 | Boucher | | D11/130.1 |
| D346,344 | S | * | 4/1994 | Vincent | | D11/130 |
| D354,930 | S | * | 1/1995 | Rush et al. | | D11/130.1 |
| D366,008 | S | * | 1/1996 | Newcomer | | D11/130.1 |
| D370,185 | S | * | 5/1996 | Grimm et al. | | D11/130.1 |
| D373,327 | S | * | 9/1996 | Rush et al. | | D11/130.1 |
| D374,195 | S | * | 10/1996 | Wright et al. | | D11/130.1 |
| D418,082 | S | * | 12/1999 | Baumann et al. | | D11/130.1 |
| D450,621 | S | * | 11/2001 | Boucher | | D11/130.1 |
| D572,167 | S | * | 7/2008 | Boucher | | D11/130.1 |
| D609,602 | S | * | 2/2010 | Krize | | D11/130 |
| D651,938 | S | * | 1/2012 | Christie | | D11/164 |
| D670,597 | S | * | 11/2012 | Krizan | | D11/130 |

* cited by examiner

Primary Examiner — Elizabeth J Oswecki

(74) *Attorney, Agent, or Firm* — Dentons US LLP; Brian R. McGinley; Michael J. DeBono

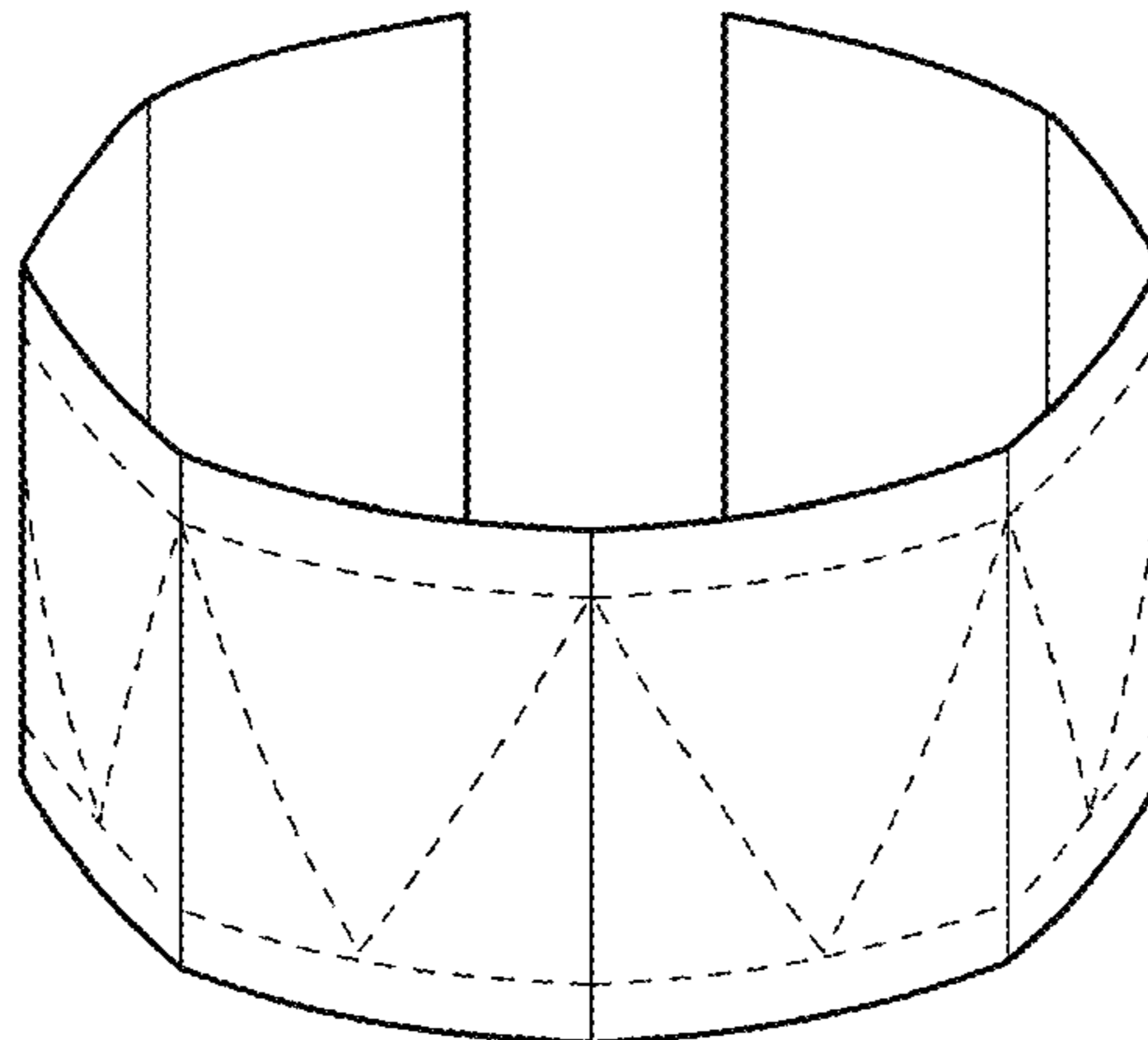
(57) **CLAIM**

The ornamental design for a tree skirt, as shown and described.

DESCRIPTION

FIG. 1 is a front, perspective view of a tree skirt showing our new design;
FIG. 2 is a front, elevational view thereof;
FIG. 3 is a top, plan view thereof;
FIG. 4 is a rear, perspective view thereof;
FIG. 5 is an alternate rear, perspective view thereof shown with overlapping end portions;
FIG. 6 is a front, perspective, exploded view thereof;
FIG. 7 is a top, plan, exploded view thereof;
FIG. 8 is a bottom, plan, exploded view thereof;
FIG. 9 is a first side, elevational view thereof; and,
FIG. 10 is a second side, elevational view thereof.

1 Claim, 3 Drawing Sheets



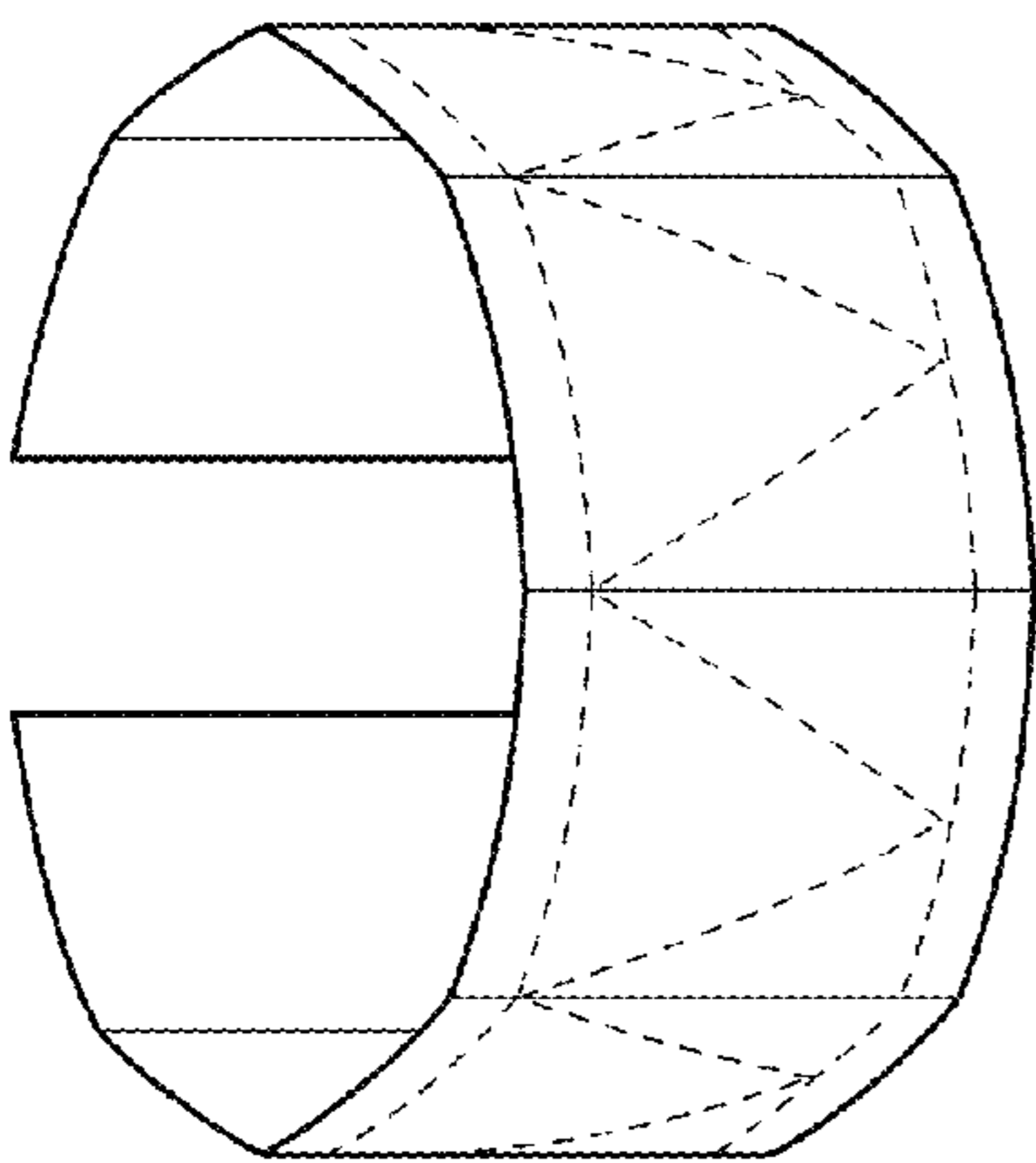


Figure 1

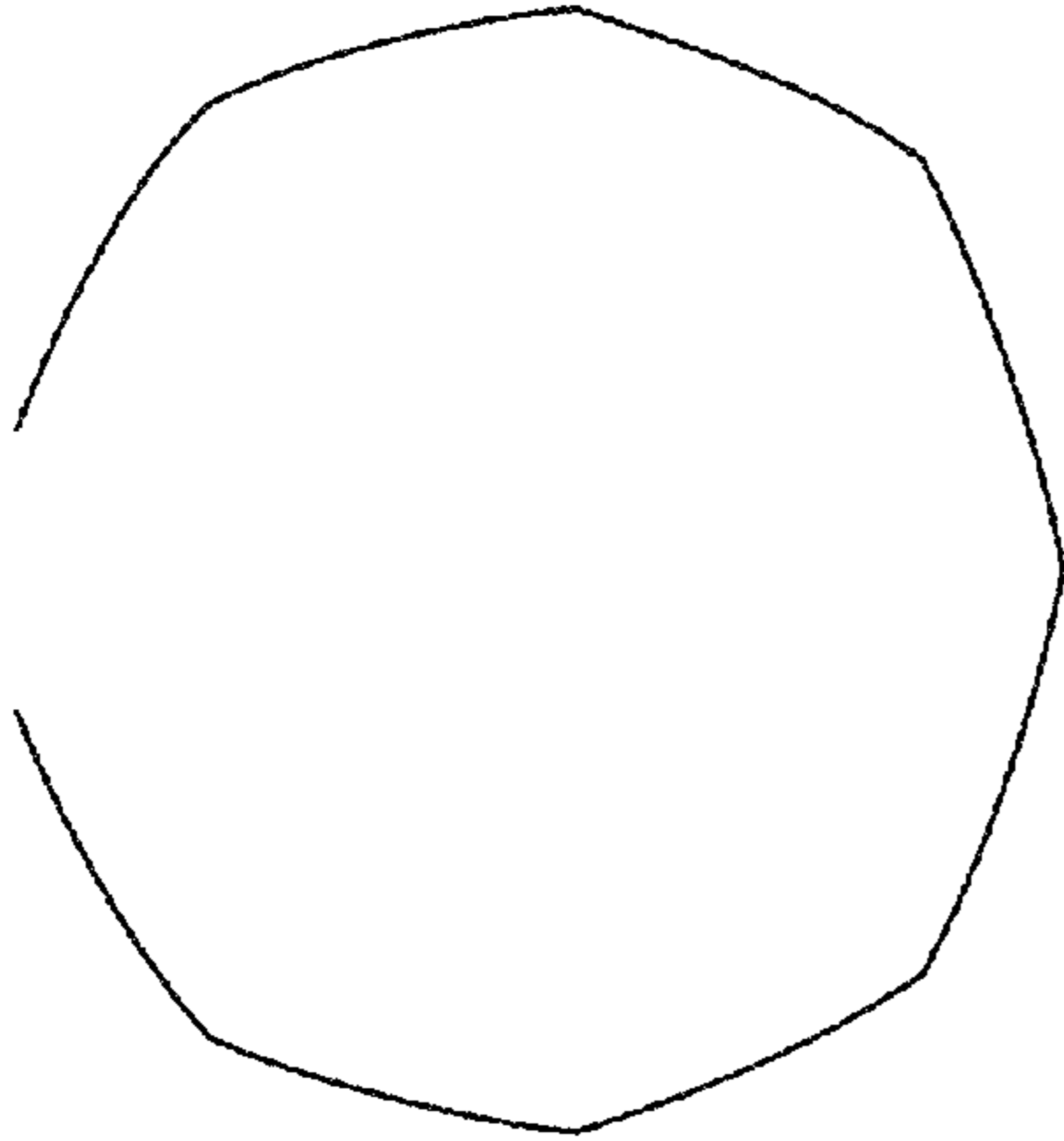


Figure 3

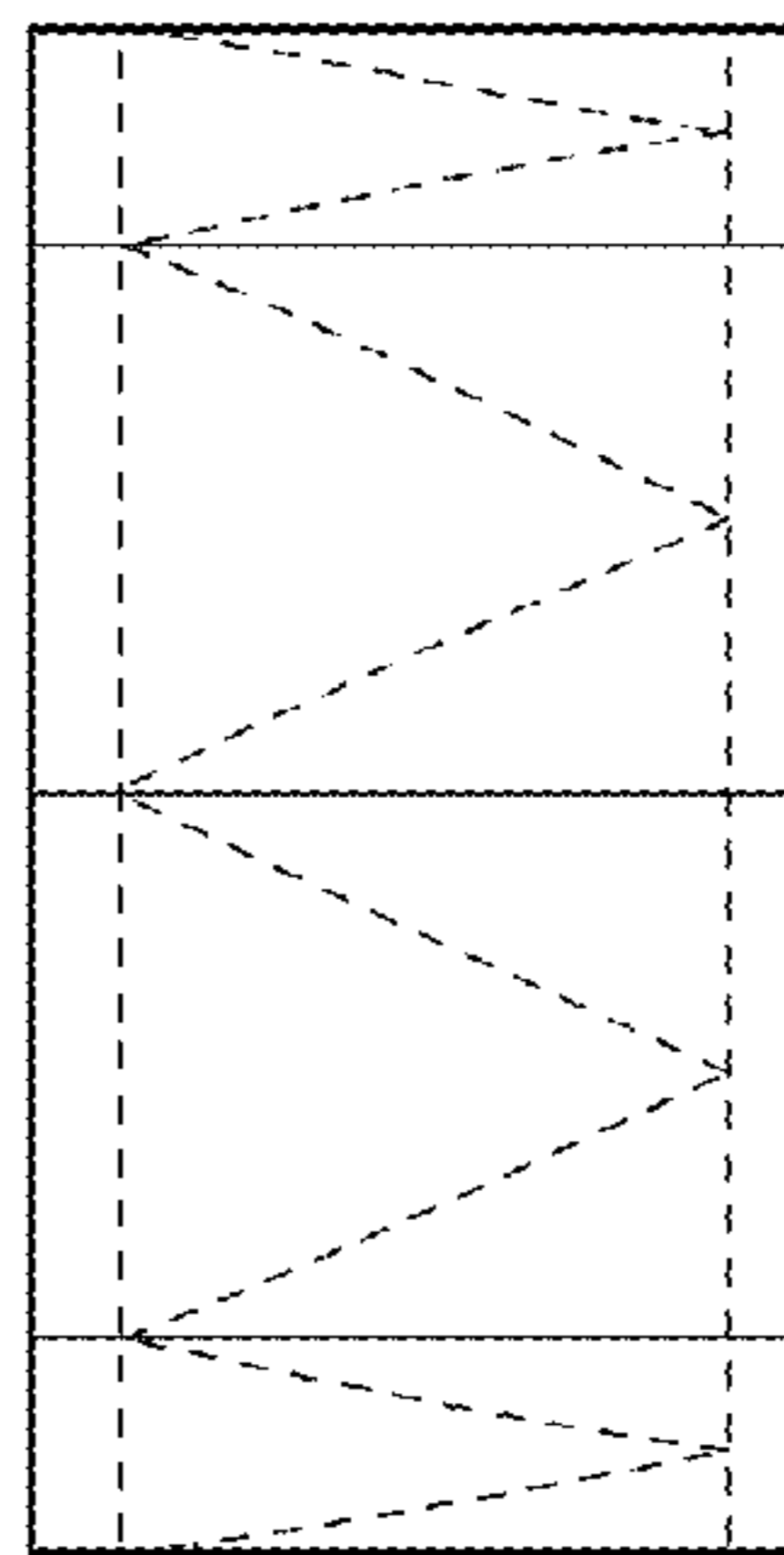


Figure 2

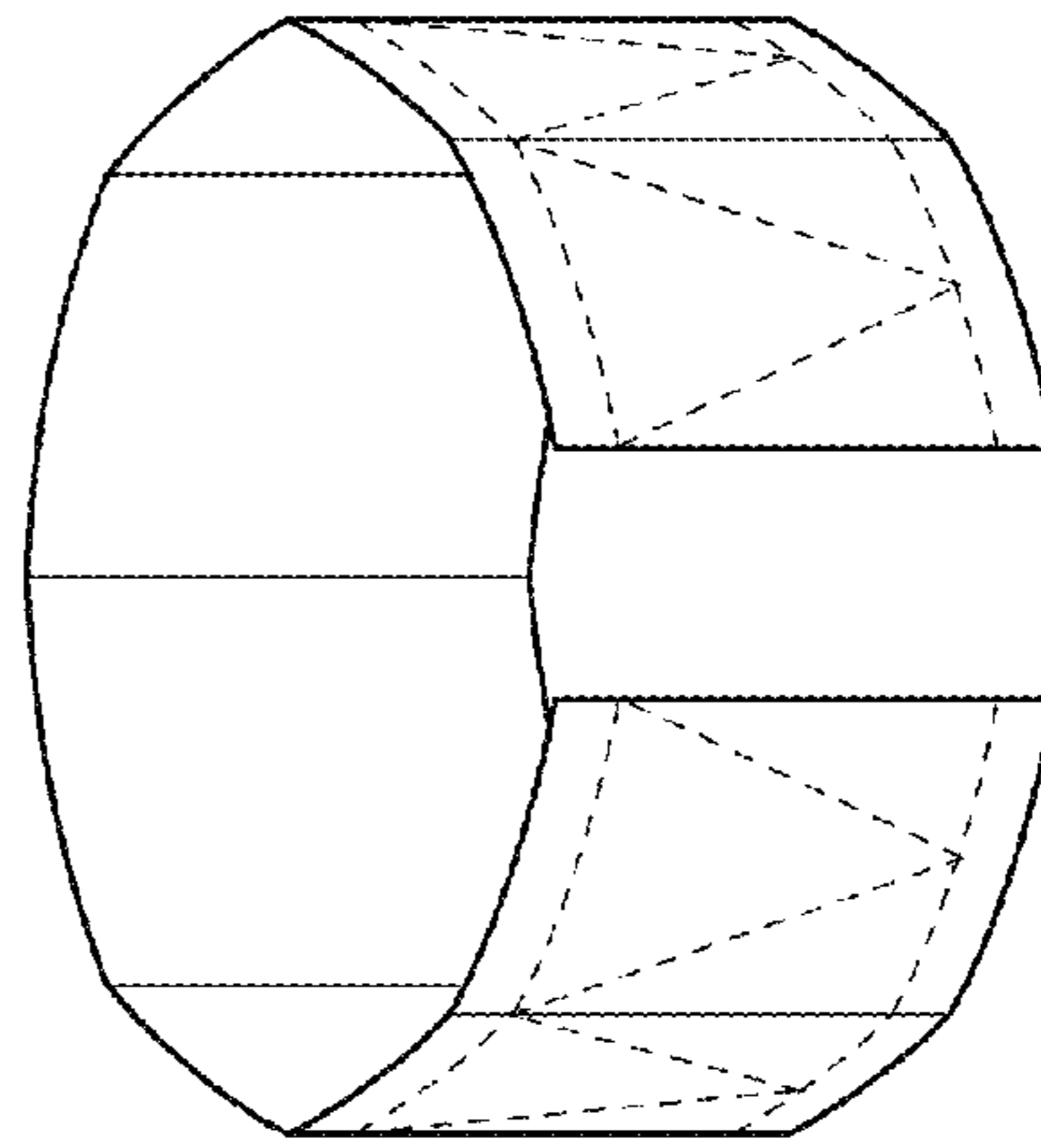


Figure 4

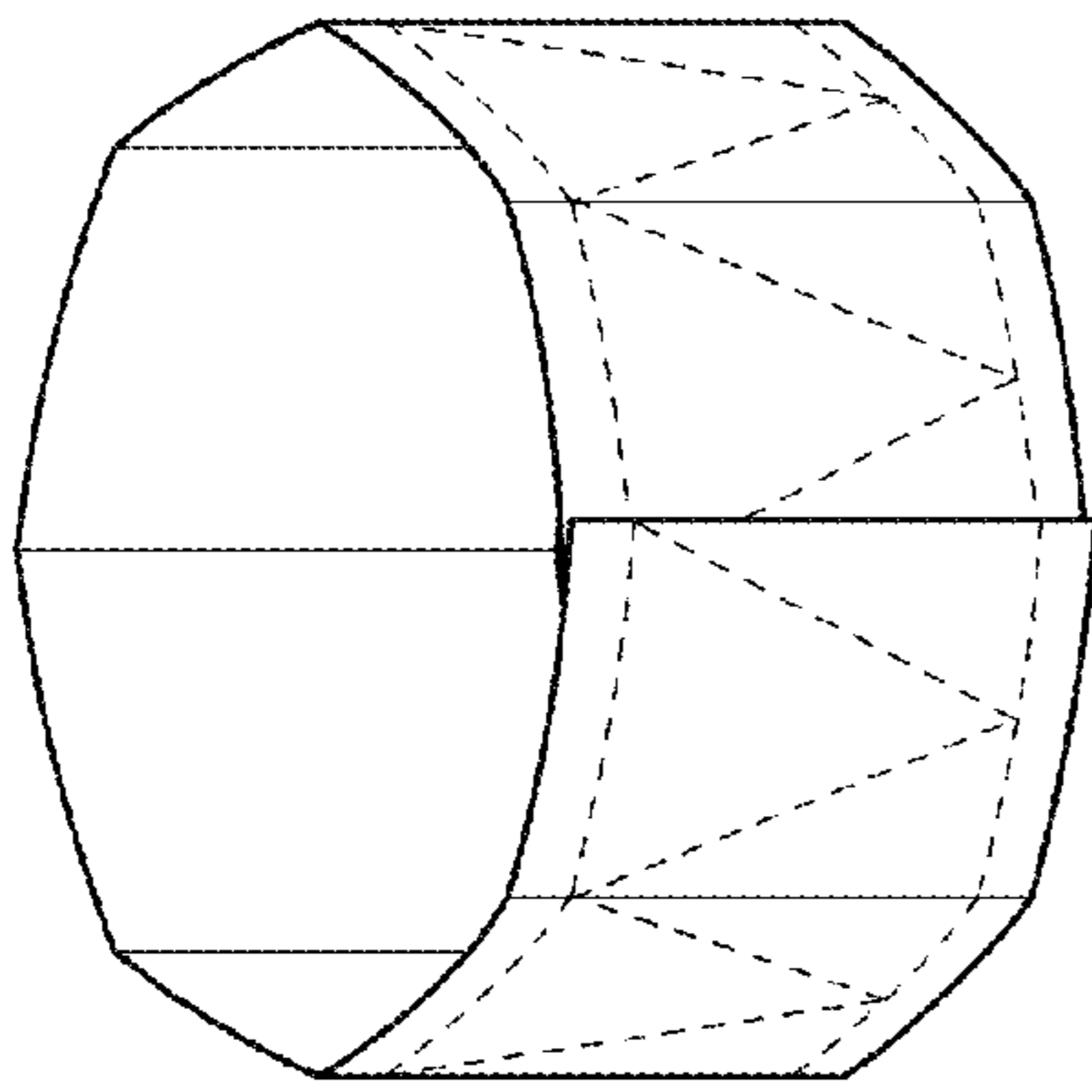


Figure 5

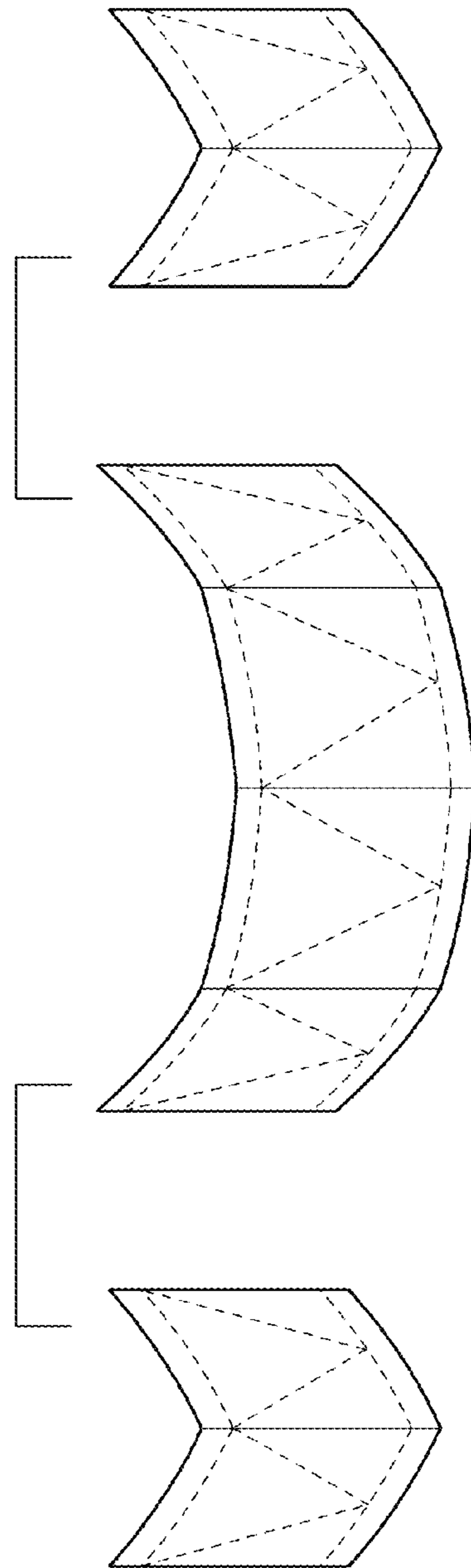


Figure 6



Figure 7

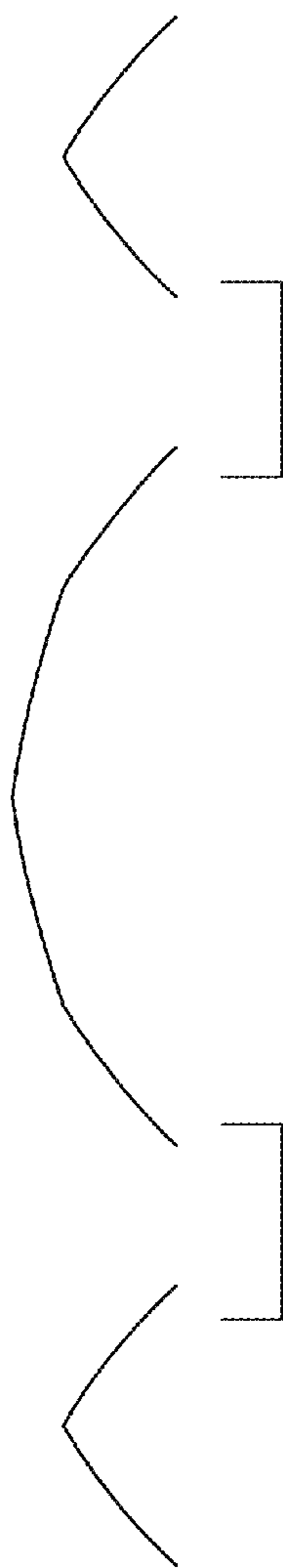


Figure 8



Figure 9

Figure 10