



US00D737170S

(12) **United States Design Patent**
Lafond

(10) **Patent No.:** **US D737,170 S**

(45) **Date of Patent:** **** Aug. 25, 2015**

(54) **CLASP**

(71) Applicant: **Pur Noisetier, Inc.**, Sherbrooke (CA)

(72) Inventor: **Patrick Lafond**, Sherbrooke (CA)

(73) Assignee: **PUR NOISETIER, INC.**, Sherbrooke, Quebec (CA)

(**) Term: **14 Years**

(21) Appl. No.: **29/482,746**

(22) Filed: **Feb. 21, 2014**

(30) **Foreign Application Priority Data**

Aug. 21, 2013 (CA) 152592

(51) **LOC (10) Cl.** **11-01**

(52) **U.S. Cl.**
USPC **D11/87**

(58) **Field of Classification Search**
USPC D11/1-2, 7, 40-44, 46-49, 53, 56, 57,
D11/59-61, 63, 65, 79-83, 86-87, 89-90,
D11/91-92, 99, 101, 106, 114-116,
D11/200-201; 63/18-20

CPC A44C 5/02
See application file for complete search history.

(56) **References Cited**

U.S. PATENT DOCUMENTS

D130,442 S * 11/1941 Goodman D11/87
3,765,064 A * 10/1973 Hooper et al. 24/658

5,008,984 A * 4/1991 Levy 24/303
5,317,789 A * 6/1994 Levy 24/303
D561,636 S * 2/2008 Khubani D11/87
D601,915 S * 10/2009 Heroux D11/87
7,690,088 B2 * 4/2010 Kogen 24/303

* cited by examiner

Primary Examiner — Zenia Bennett

(74) *Attorney, Agent, or Firm* — Muncy, Geissler, Olds & Lowe, P.C.

(57) **CLAIM**

The ornamental design for a clasp, as shown and described.

DESCRIPTION

FIG. 1 is a front, right perspective view of a clasp showing my new design;

FIG. 2 is a front, left perspective view of the clasp in an open configuration;

FIG. 3 is a front, elevational view of the clasp;

FIG. 4 is a rear, elevational view of the clasp;

FIG. 5 is a left side view of the clasp;

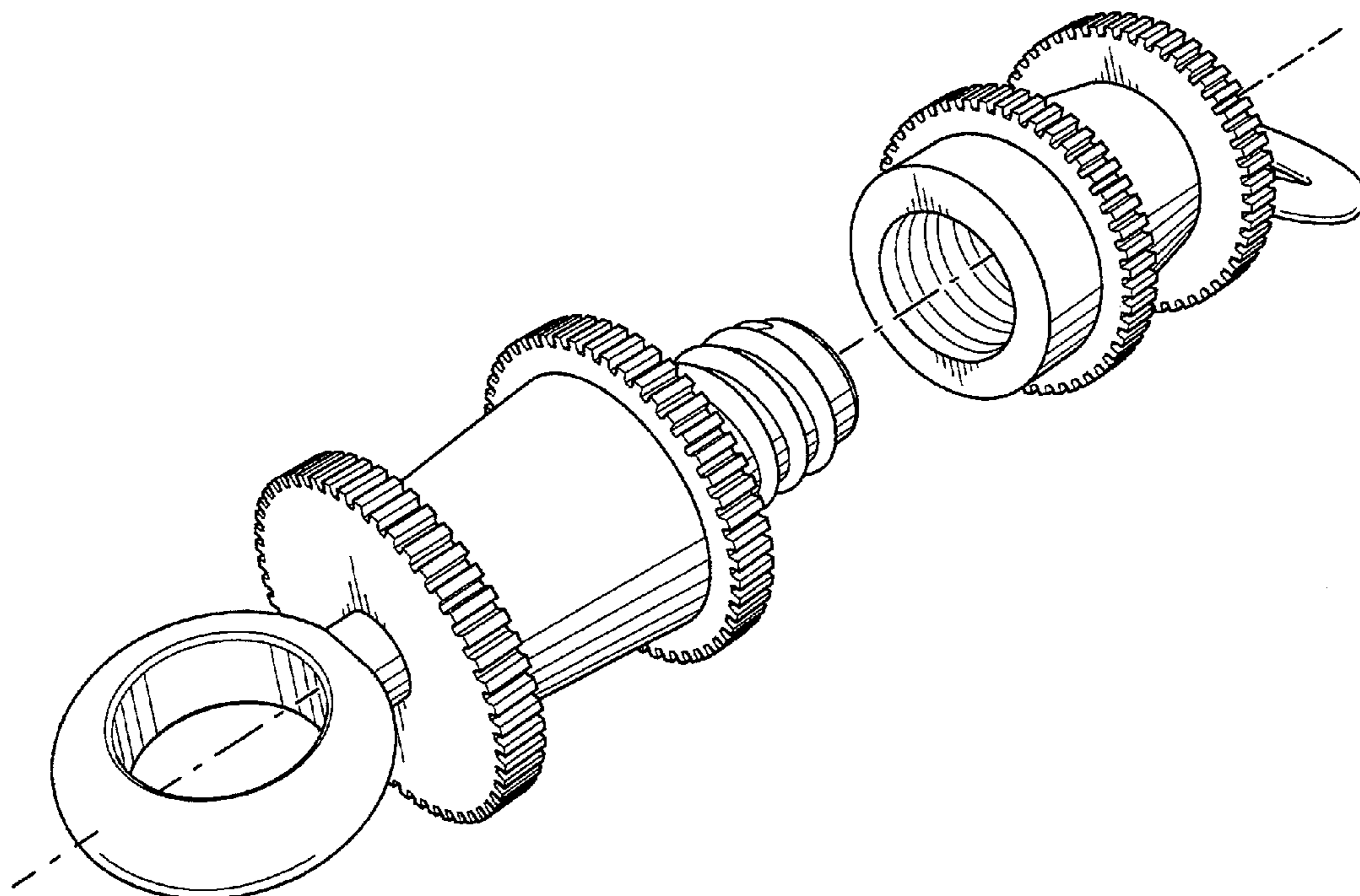
FIG. 6 is a right side view of the clasp;

FIG. 7 is a top plan view of the clasp, the bottom plan view being a mirror image; and,

FIG. 8 is a top plan view of a second embodiment of the clasp; the bottom plan view being a mirror image; the front, elevational view matching FIG. 3, the rear elevational view matching FIG. 4 except for the hook at the end of the loop; the left side view matching FIG. 5 and the right side view matching FIG. 6 except for the hook at the end of the loop.

The loop on the right side of the clasp in both the first and second embodiments having an indeterminate diameter.

1 Claim, 4 Drawing Sheets



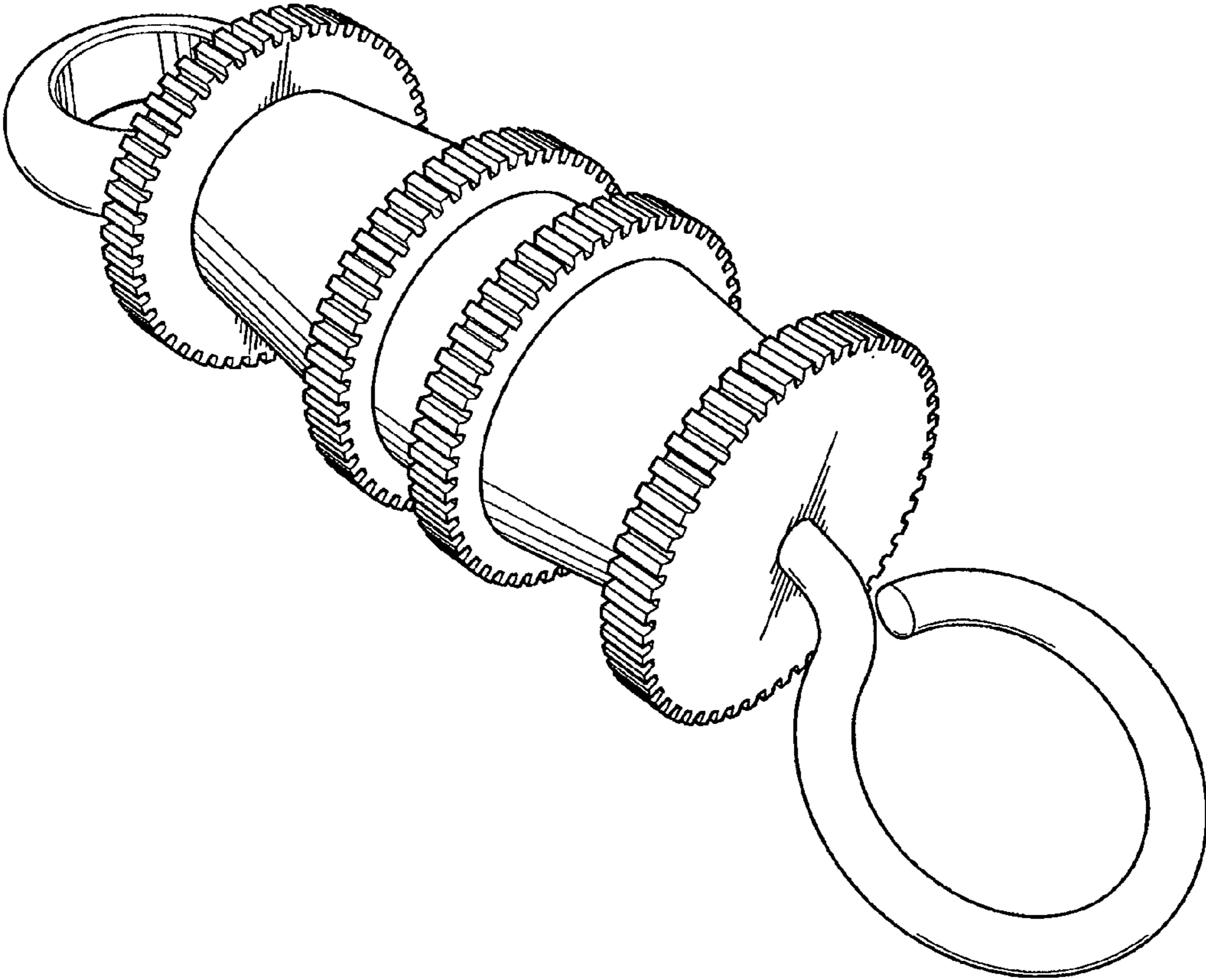


FIG.1

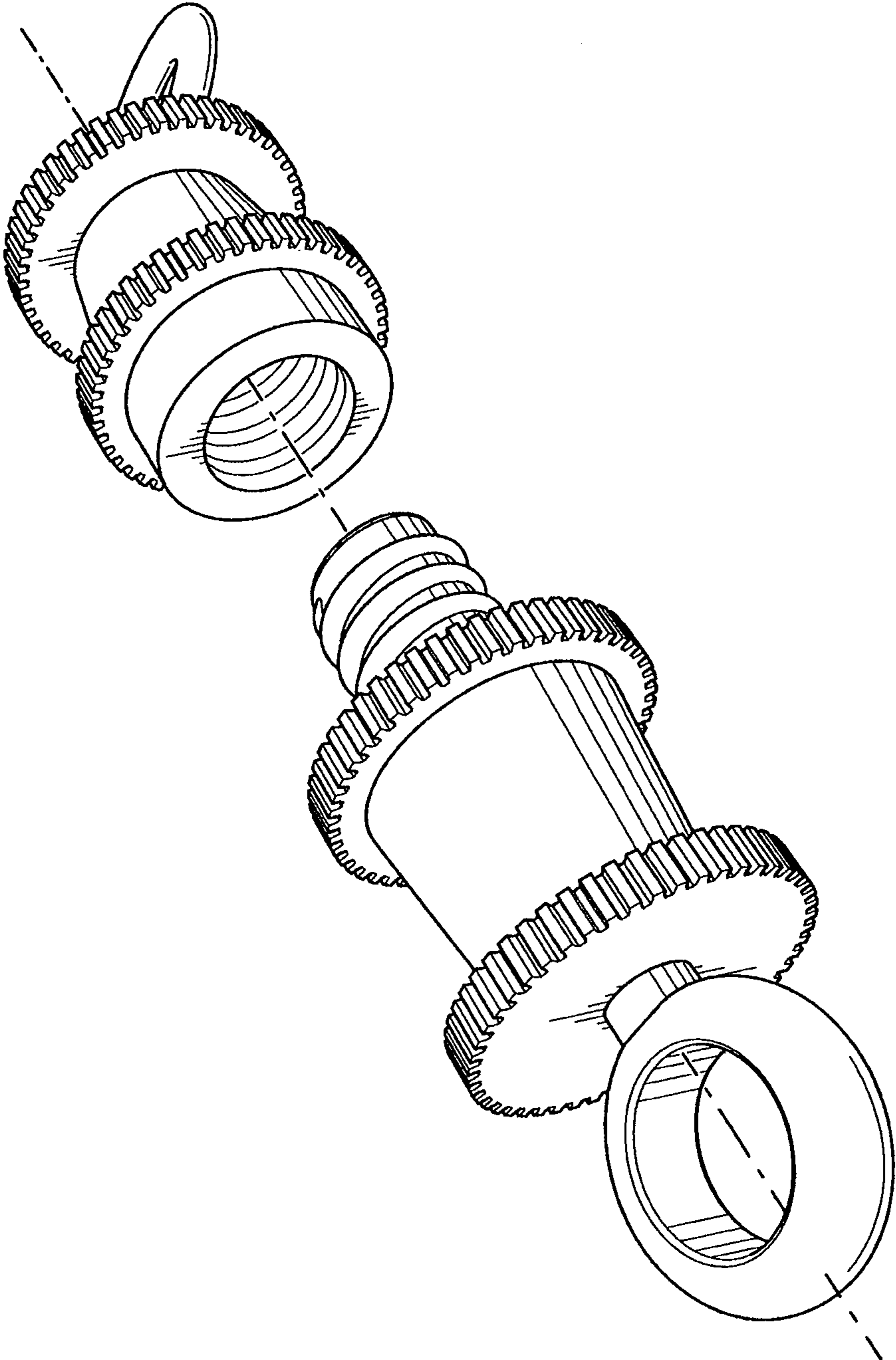


FIG. 2

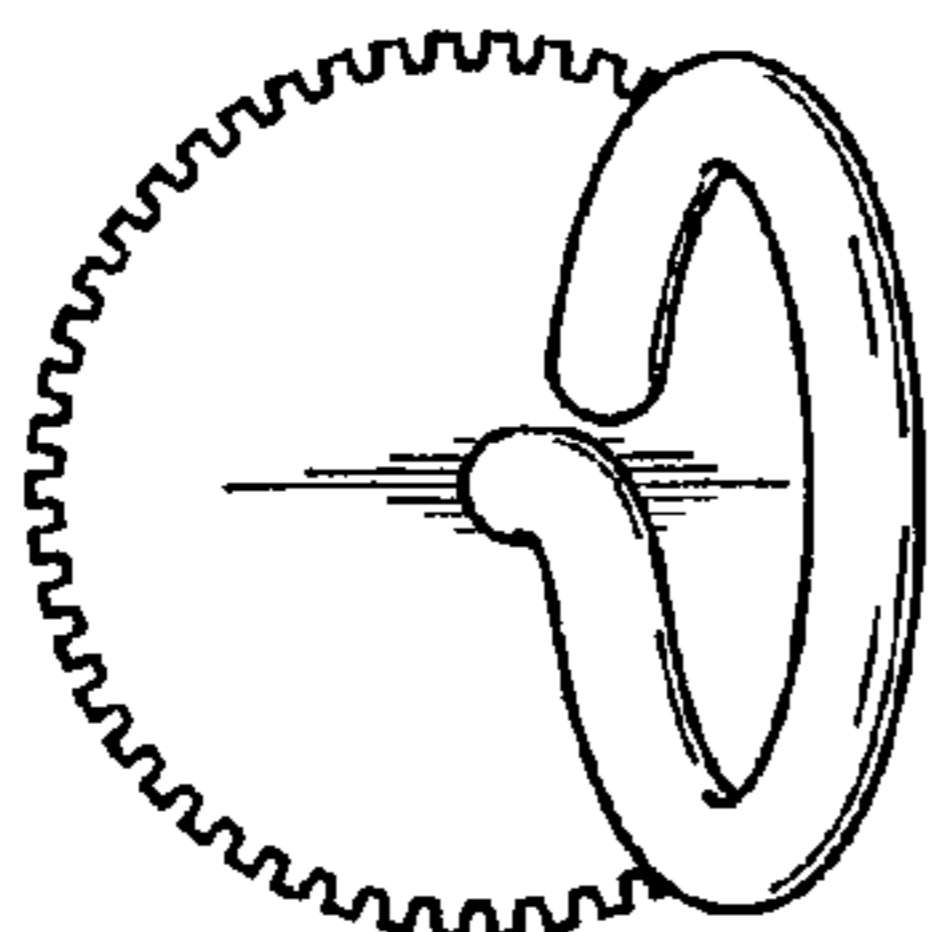


FIG. 6

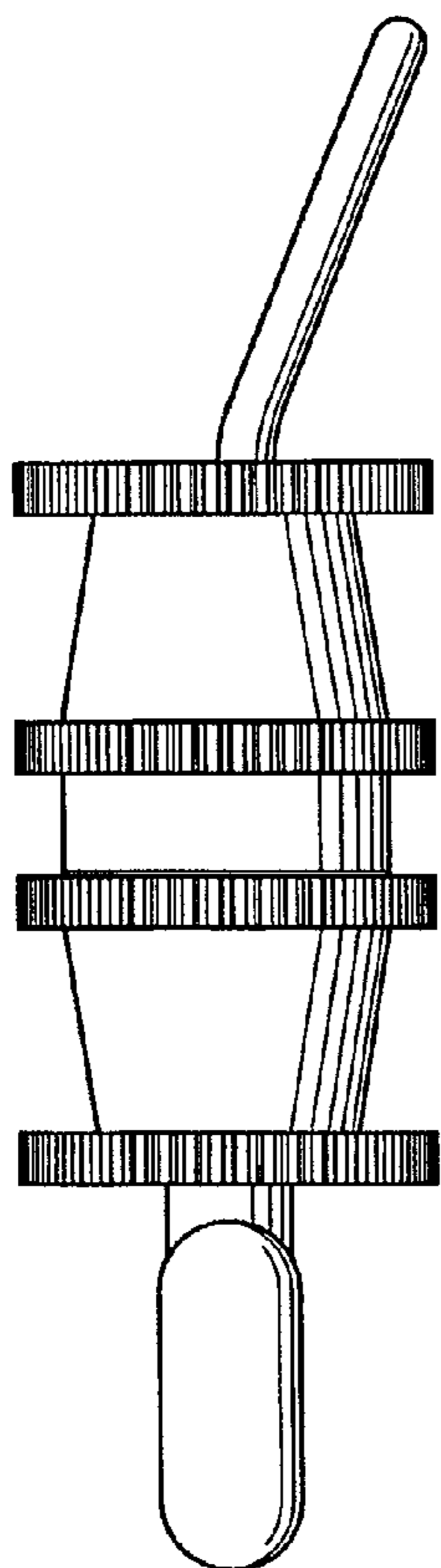


FIG. 3

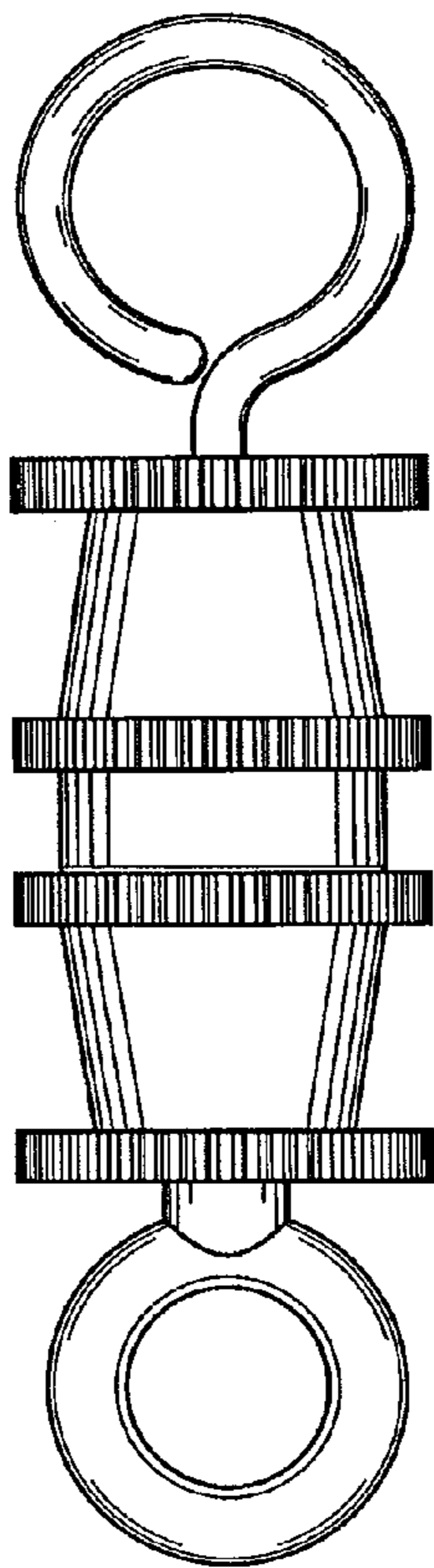


FIG. 7

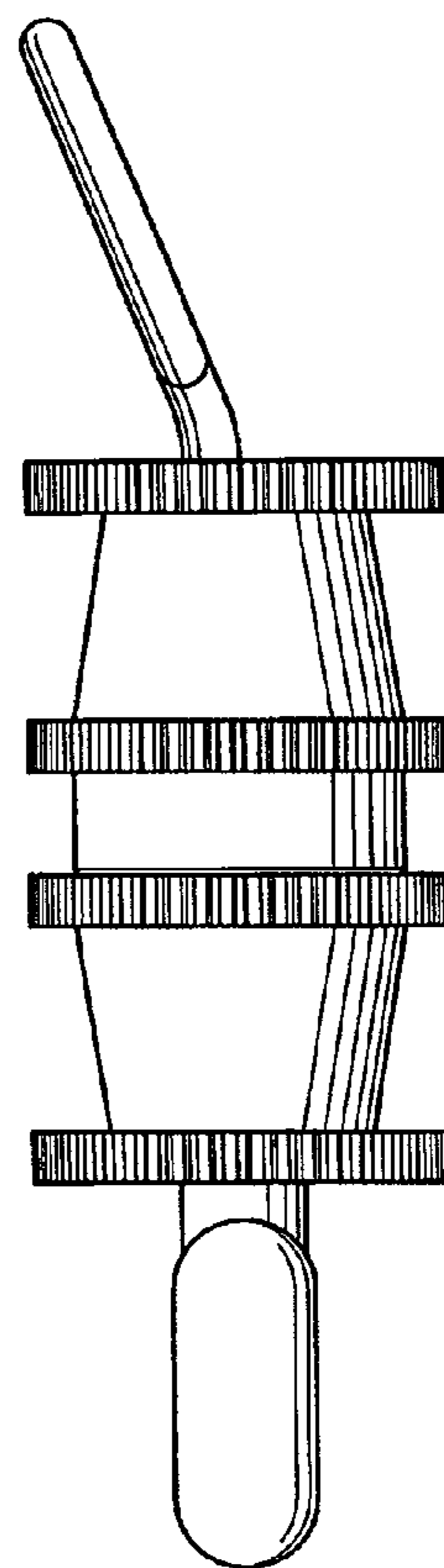


FIG. 4

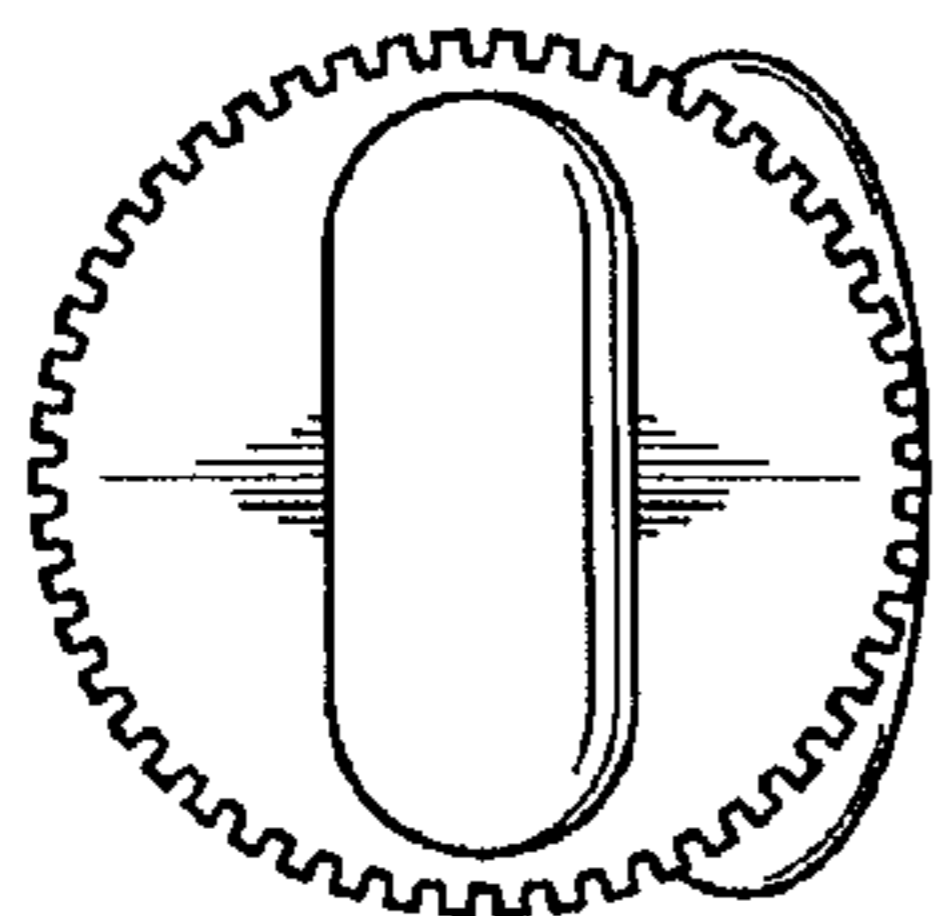


FIG. 5

Figure 8

