



US00D737169S

(12) **United States Design Patent**
Hirschorn

(10) **Patent No.:** **US D737,169 S**

(45) **Date of Patent:** **** Aug. 25, 2015**

(54) **MONEY CLIP**

(71) Applicant: **Robert Daniel Hirschorn**, Mississauga
(CA)

(72) Inventor: **Robert Daniel Hirschorn**, Mississauga
(CA)

(**) Term: **14 Years**

(21) Appl. No.: **29/489,579**

(22) Filed: **Apr. 30, 2014**

(51) **LOC (10) Cl.** **11-01**

(52) **U.S. Cl.**
USPC **D11/78.1**

(58) **Field of Classification Search**
USPC D11/200-220, 78.1, 222; D20/22;
D3/215, 247, 249; D8/394, 395; 24/60,
24/455, 485, 563, 564, 72.1, 49.1, 52,
24/166.4, 66.13, 56.3; D2/609, 639;
2/232; D32/61
CPC A44B 6/00; A44B 21/00; A44B 9/12
See application file for complete search history.

(56) **References Cited**

U.S. PATENT DOCUMENTS

1,857,488 A * 5/1932 Weeks 24/563
D239,147 S * 3/1976 Karlsen D11/215
D363,453 S * 10/1995 Herdt D11/78.1

6,457,218 B1 * 10/2002 Lawrence 24/563
D581,311 S * 11/2008 Cornett D11/78.1
D677,193 S * 3/2013 MacDonald D11/78.1
D710,741 S * 8/2014 Hirschorn D11/78.1

* cited by examiner

Primary Examiner — Ralf Seifert

(74) *Attorney, Agent, or Firm* — Gulf Coast Intellectual
Property Group

(57) **CLAIM**

The ornamental design for the money clip, as shown and
described.

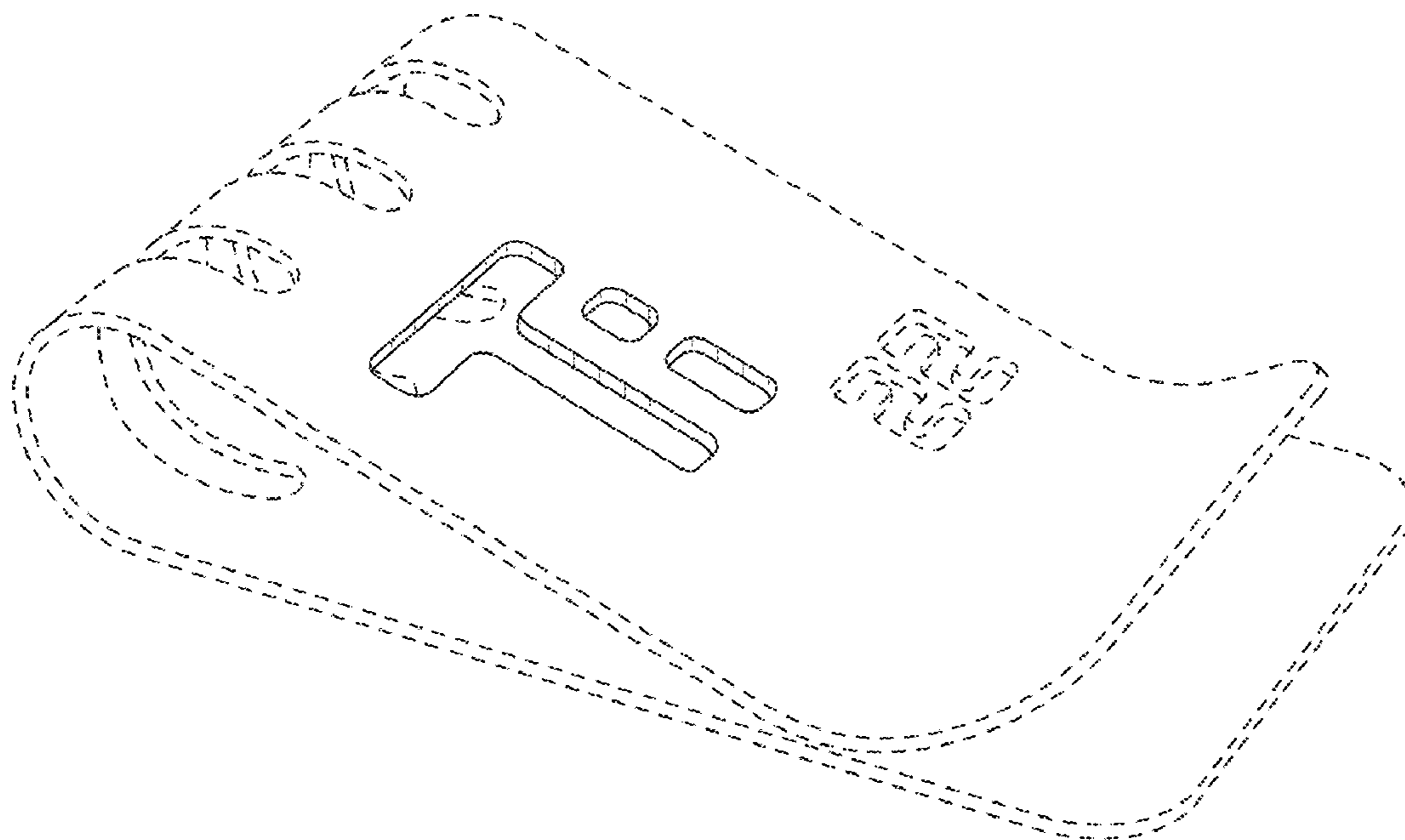
DESCRIPTION

This application is related to, and is a continuation application
of, U.S. Design application Ser. No. 29/486,687 filed on Apr.
1, 2014, the content of the application being hereby incorpo-
rated by reference.

FIG. 1 is a perspective view of the present invention; and
FIG. 2 is a bottom view of the present invention; and
FIG. 3 is a top view of the present invention; and
FIG. 4 is a right side of the present invention; and
FIG. 5 is a left side view of the present invention; and
FIG. 6 is a front view of the present invention; and,
FIG. 7 is a rear view of the present invention.

Wherein the dotted lines herein are illustrated for purpose of
use and environment and form no part of the claimed inven-
tion.

1 Claim, 2 Drawing Sheets



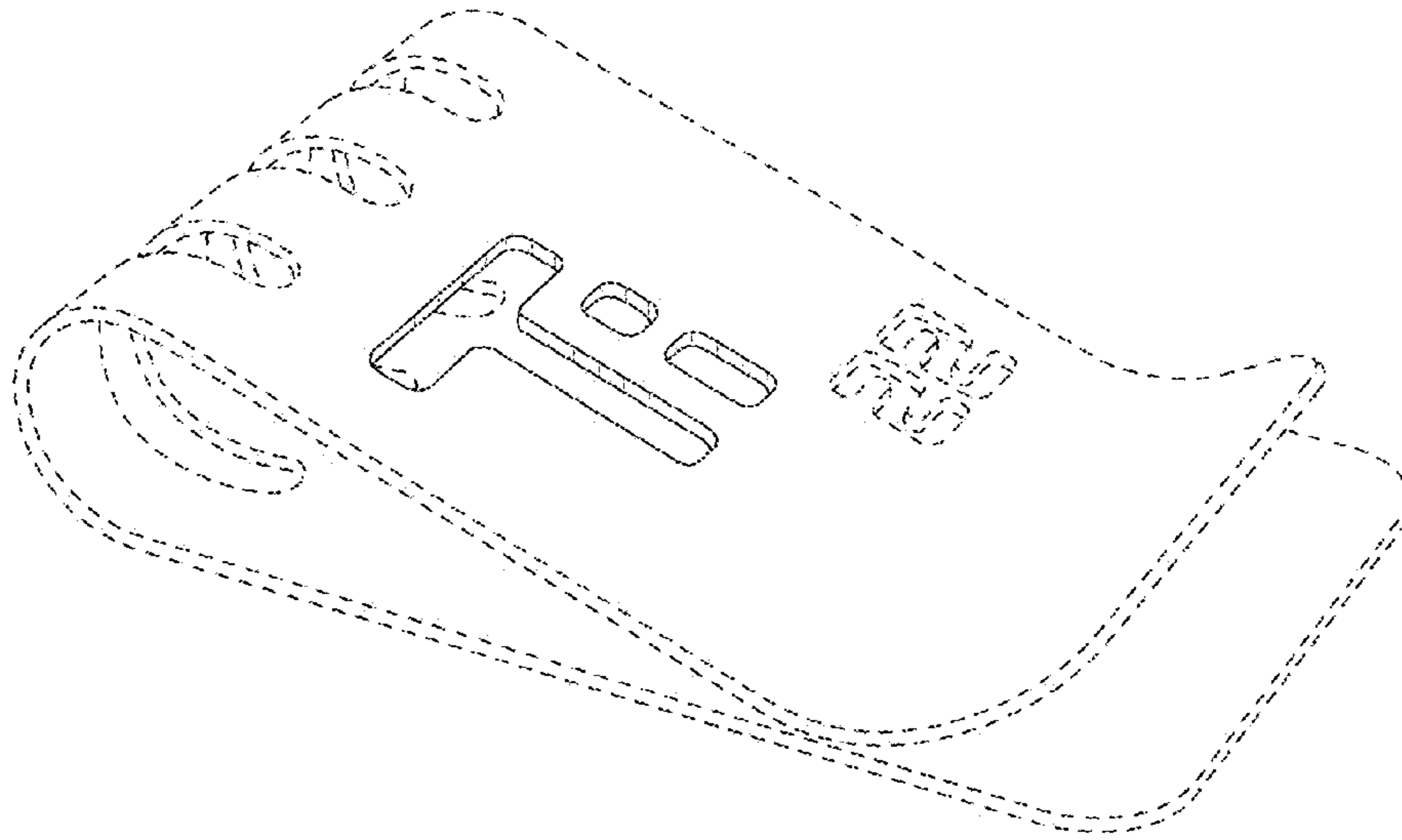


FIG. 1

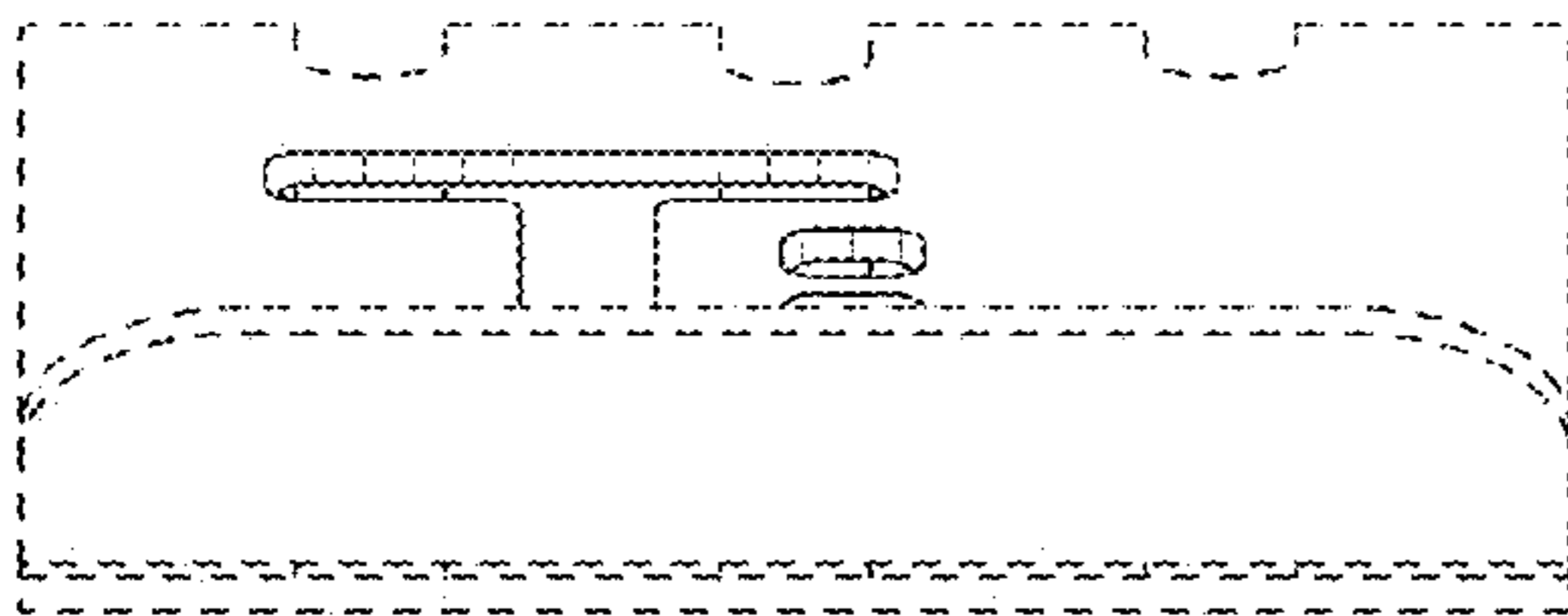


FIG. 2

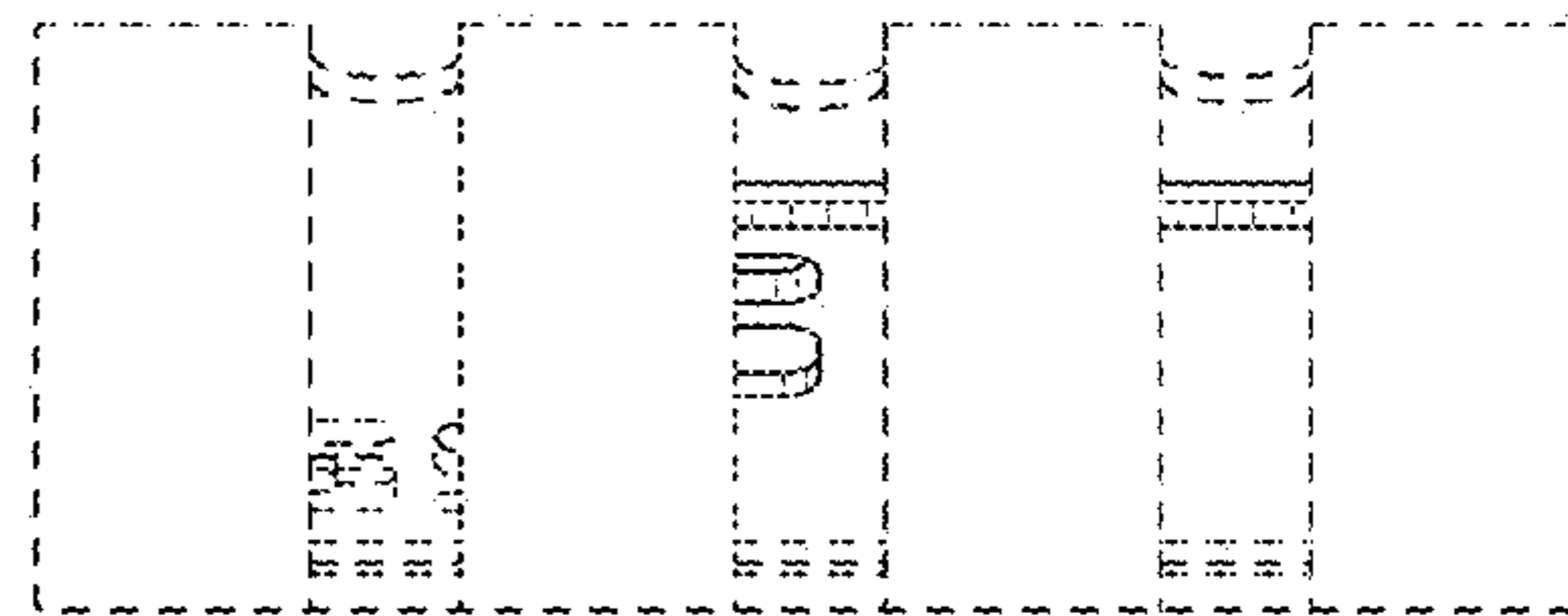


FIG. 3

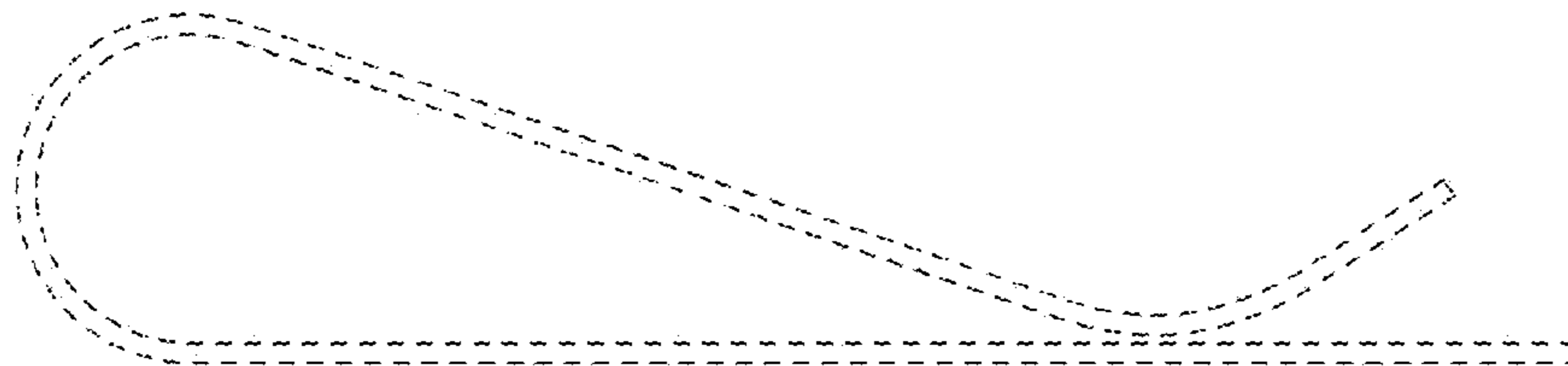


FIG. 4

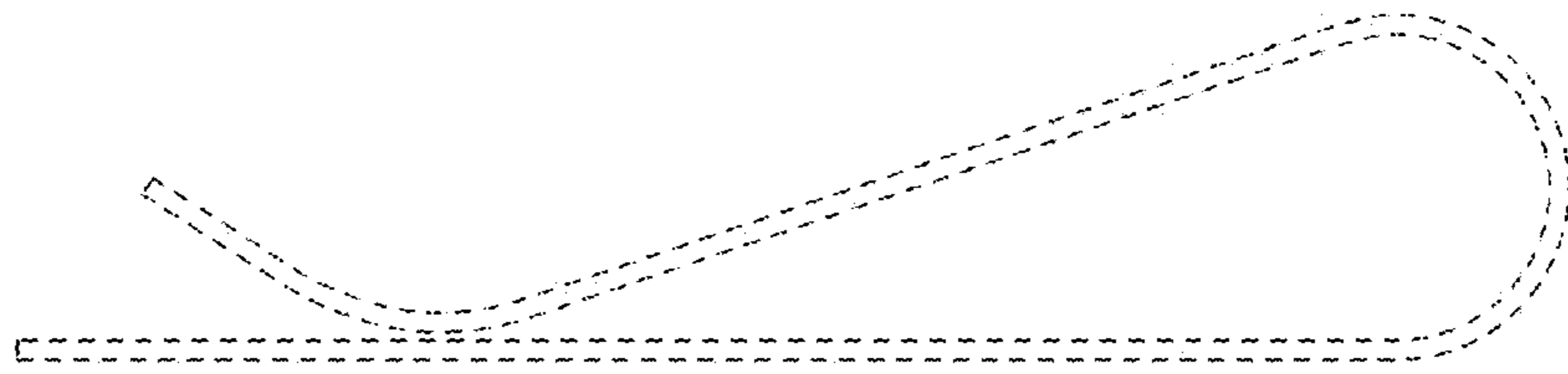


FIG. 5

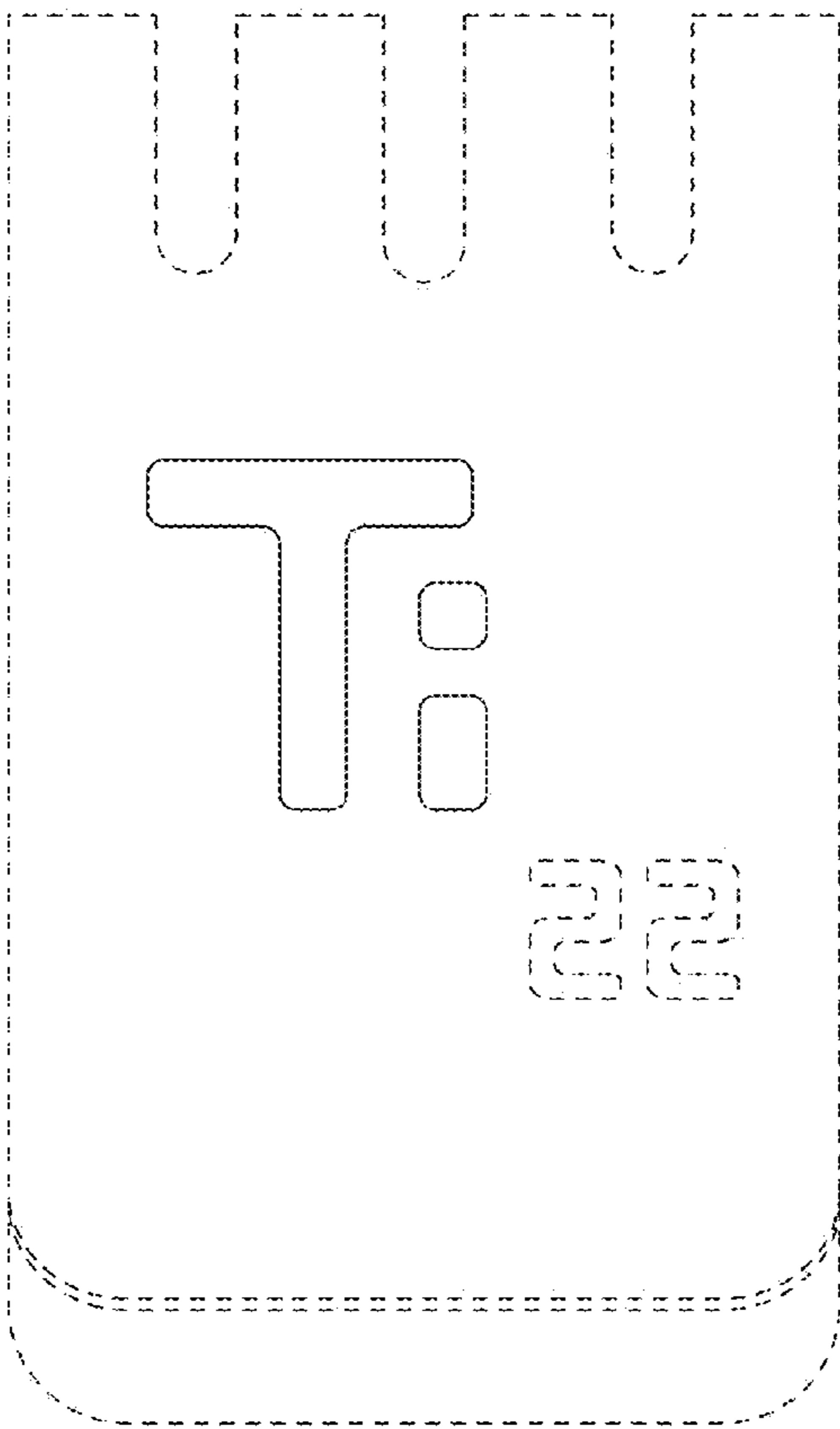


FIG. 6

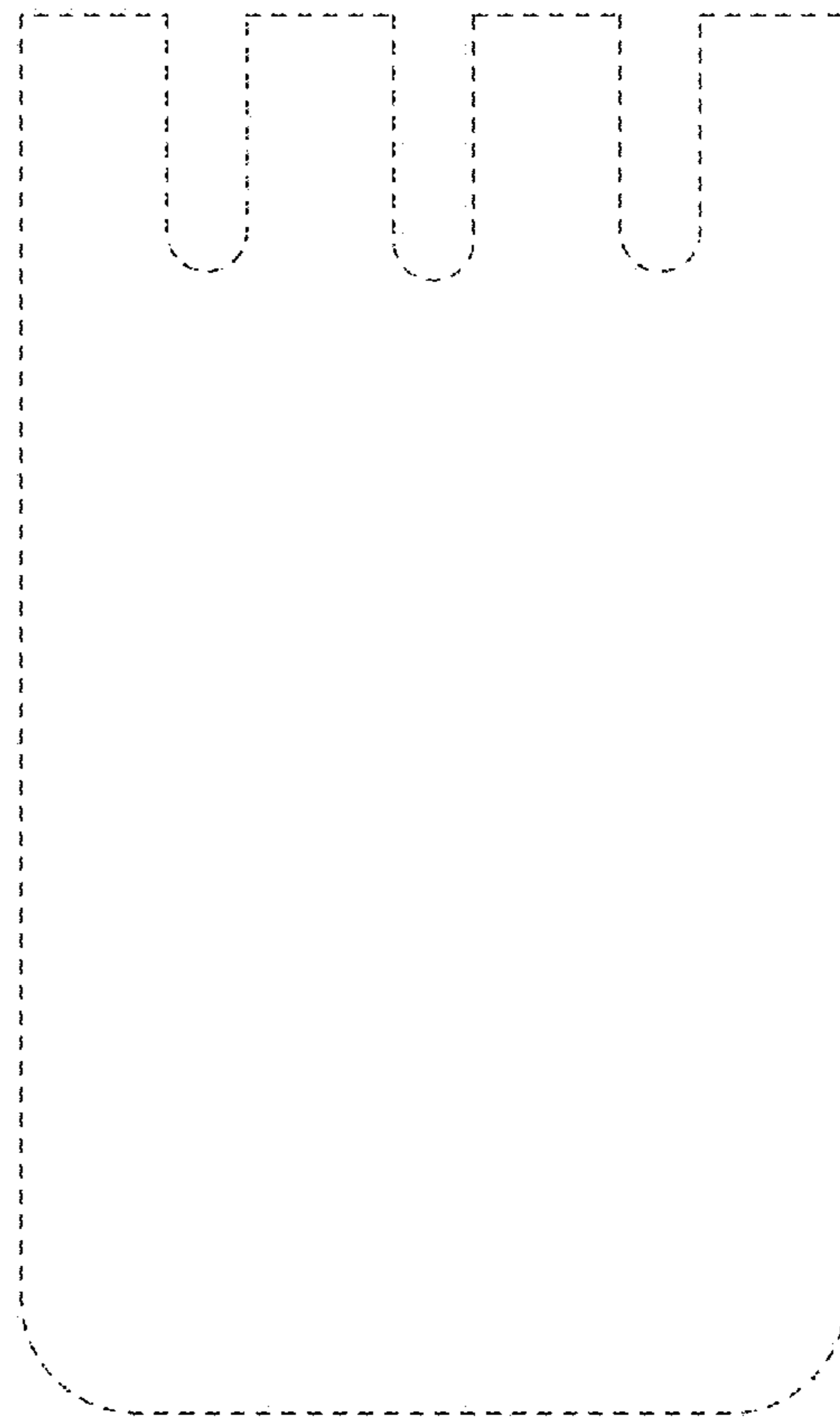


FIG. 7