



US00D737166S

(12) **United States Design Patent**  
**Aumiller et al.**

(10) **Patent No.:** **US D737,166 S**  
(45) **Date of Patent:** **\*\* Aug. 25, 2015**

- (54) **BAND FOR AN ELECTRONIC DEVICE**
- (71) Applicant: **SAMSUNG ELECTRONICS CO., LTD.**, Suwon-si (KR)
- (72) Inventors: **Curtis Aumiller**, San Jose, CA (US);  
**Pranav Mistry**, Cupertino, CA (US);  
**Chengyuan Wei**, Dalian (CN)
- (73) Assignee: **SAMSUNG ELECTRONICS CO., LTD.**, Suwon Si (KR)
- (\*\*) Term: **14 Years**
- (21) Appl. No.: **29/453,858**
- (22) Filed: **May 3, 2013**

|              |    |   |         |                     |       |         |
|--------------|----|---|---------|---------------------|-------|---------|
| D495,972     | S  | * | 9/2004  | Pettingill          | ..... | D11/220 |
| D566,580     | S  | * | 4/2008  | Giorgio             | ..... | D10/32  |
| D604,643     | S  | * | 11/2009 | Ahlstrom            | ..... | D10/31  |
| 7,654,732    | B2 | * | 2/2010  | Burton et al.       | ..... | 368/282 |
| D612,269     | S  | * | 3/2010  | Leung               | ..... | D10/32  |
| D625,203     | S  | * | 10/2010 | Giannini            | ..... | D10/32  |
| D632,612     | S  | * | 2/2011  | Shani et al.        | ..... | D11/216 |
| D635,472     | S  | * | 4/2011  | Dalla Libera et al. | ..... | D10/32  |
| D640,948     | S  | * | 7/2011  | Quigley             | ..... | D11/3   |
| D650,705     | S  | * | 12/2011 | Blank               | ..... | D10/32  |
| D653,968     | S  | * | 2/2012  | Blank               | ..... | D10/32  |
| D667,340     | S  | * | 9/2012  | LeRoux              | ..... | D11/220 |
| D675,111     | S  | * | 1/2013  | Yurman              | ..... | D10/32  |
| D675,123     | S  | * | 1/2013  | Nunez               | ..... | D11/3   |
| D677,595     | S  | * | 3/2013  | Hinskens            | ..... | D10/128 |
| D678,816     | S  | * | 3/2013  | Chan                | ..... | D11/220 |
| D699,143     | S  | * | 2/2014  | Xu                  | ..... | D11/3   |
| 2009/0175135 | A1 | * | 7/2009  | Moore et al.        | ..... | 368/282 |
| 2012/0234044 | A1 | * | 9/2012  | Matysik             | ..... | 63/15   |

\* cited by examiner

**Related U.S. Application Data**

- (63) Continuation of application No. 29/449,607, filed on Mar. 15, 2013, now Pat. No. Des. 718,170.
- (51) **LOC (10) Cl.** ..... **11-01**
- (52) **U.S. Cl.**  
USPC ..... **D11/3**
- (58) **Field of Classification Search**  
USPC ..... D11/1-27, 216, 220; 63/1.11, 1.12, 63/1.13, 1.14, 12, 3, 3.1, 3.2, 4, 5.1, 7, 11, 63/15, 15.3, 32, 33, 34, 38, 41; 368/276-278, 281-283; D10/30-32; D14/144, 344  
See application file for complete search history.

*Primary Examiner* — Cynthia Ramirez

*Assistant Examiner* — Llorellys Martinez-Rivera

(74) *Attorney, Agent, or Firm* — Sughrue Mion, PLLC

(57) **CLAIM**

The ornamental design for a band for an electronic device, as shown and described.

**DESCRIPTION**

FIG. 1 is a top front perspective view of a band for an electronic device showing our new design;  
 FIG. 2 is a front elevational view thereof;  
 FIG. 3 is a rear elevational view thereof;  
 FIG. 4 is a left side elevational view thereof;  
 FIG. 5 is a right side elevational view thereof;  
 FIG. 6 is a top plan view thereof;  
 FIG. 7 is a bottom plan view thereof; and,  
 FIG. 8 is an additional top front perspective view thereof showing the connection of the present band with an electronic device.

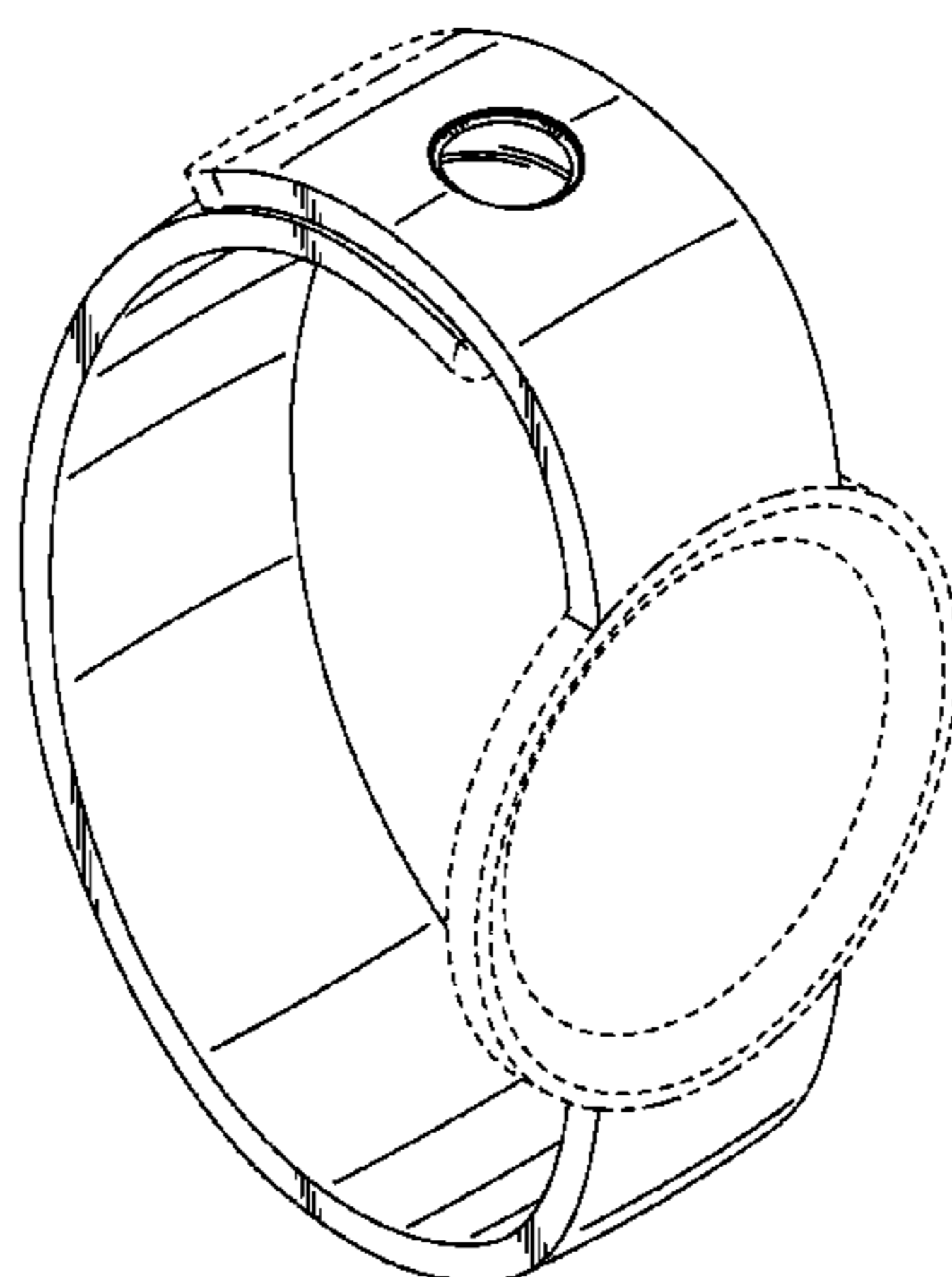
The broken lines depict environmental subject matter only and form no part of the claimed design.

**1 Claim, 5 Drawing Sheets**

(56) **References Cited**

U.S. PATENT DOCUMENTS

|           |   |   |         |            |       |         |
|-----------|---|---|---------|------------|-------|---------|
| 1,239,405 | A | * | 9/1917  | Kopetschny | ..... | 63/19   |
| 1,383,104 | A | * | 6/1921  | Grossman   | ..... | 63/1.14 |
| 2,473,226 | A | * | 6/1949  | Sheldon    | ..... | 224/219 |
| D197,559  | S | * | 2/1964  | Sutz       | ..... | D11/220 |
| 4,958,279 | A | * | 9/1990  | Proellochs | ..... | 368/282 |
| D329,210  | S | * | 9/1992  | Cullmann   | ..... | D11/216 |
| D335,263  | S | * | 5/1993  | Willis     | ..... | D11/3   |
| D335,476  | S | * | 5/1993  | Stathis    | ..... | D11/216 |
| D351,558  | S | * | 10/1994 | Moon       | ..... | D10/32  |
| D455,356  | S | * | 4/2002  | Saffer     | ..... | D10/32  |



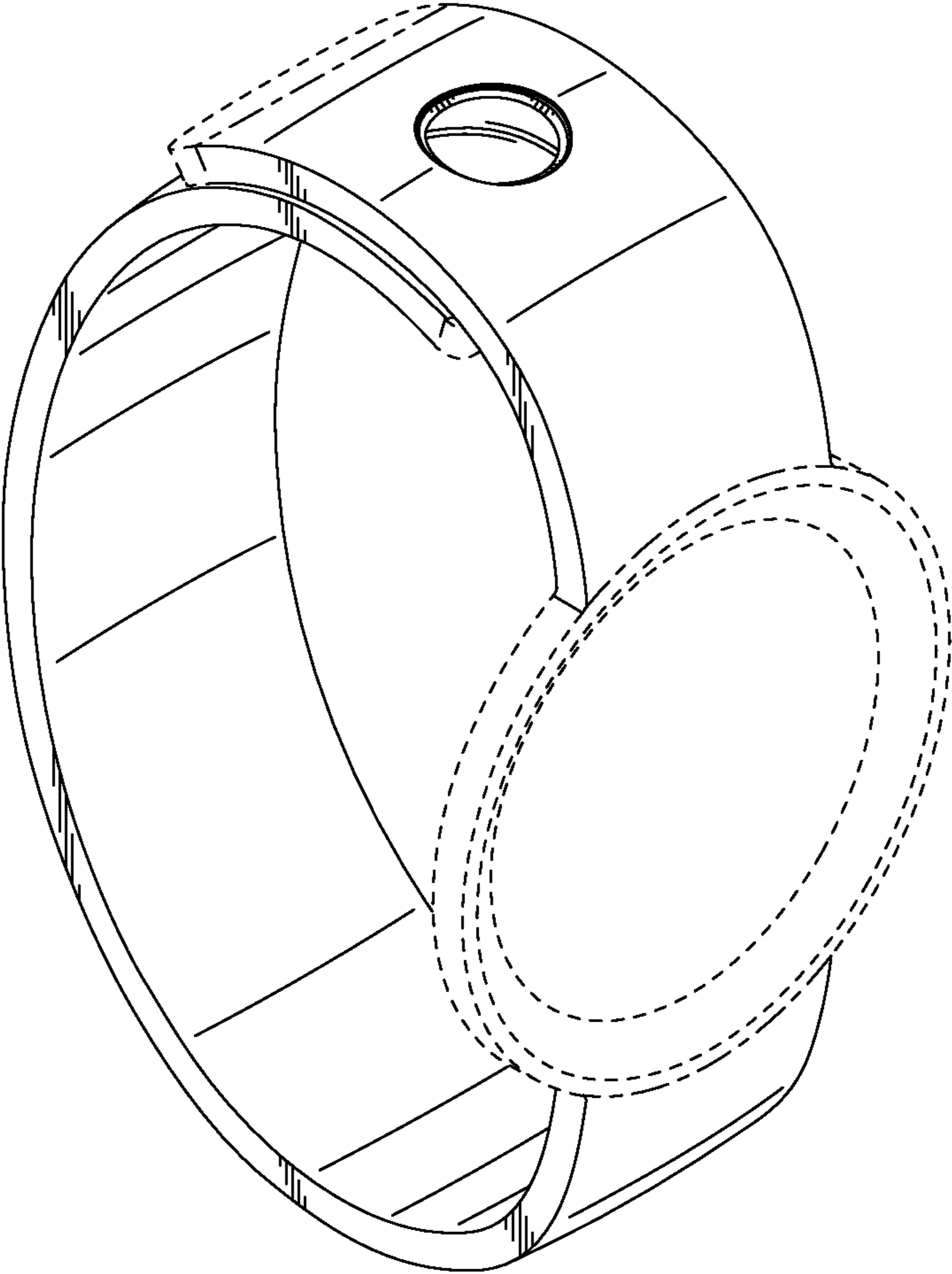


FIG. 1

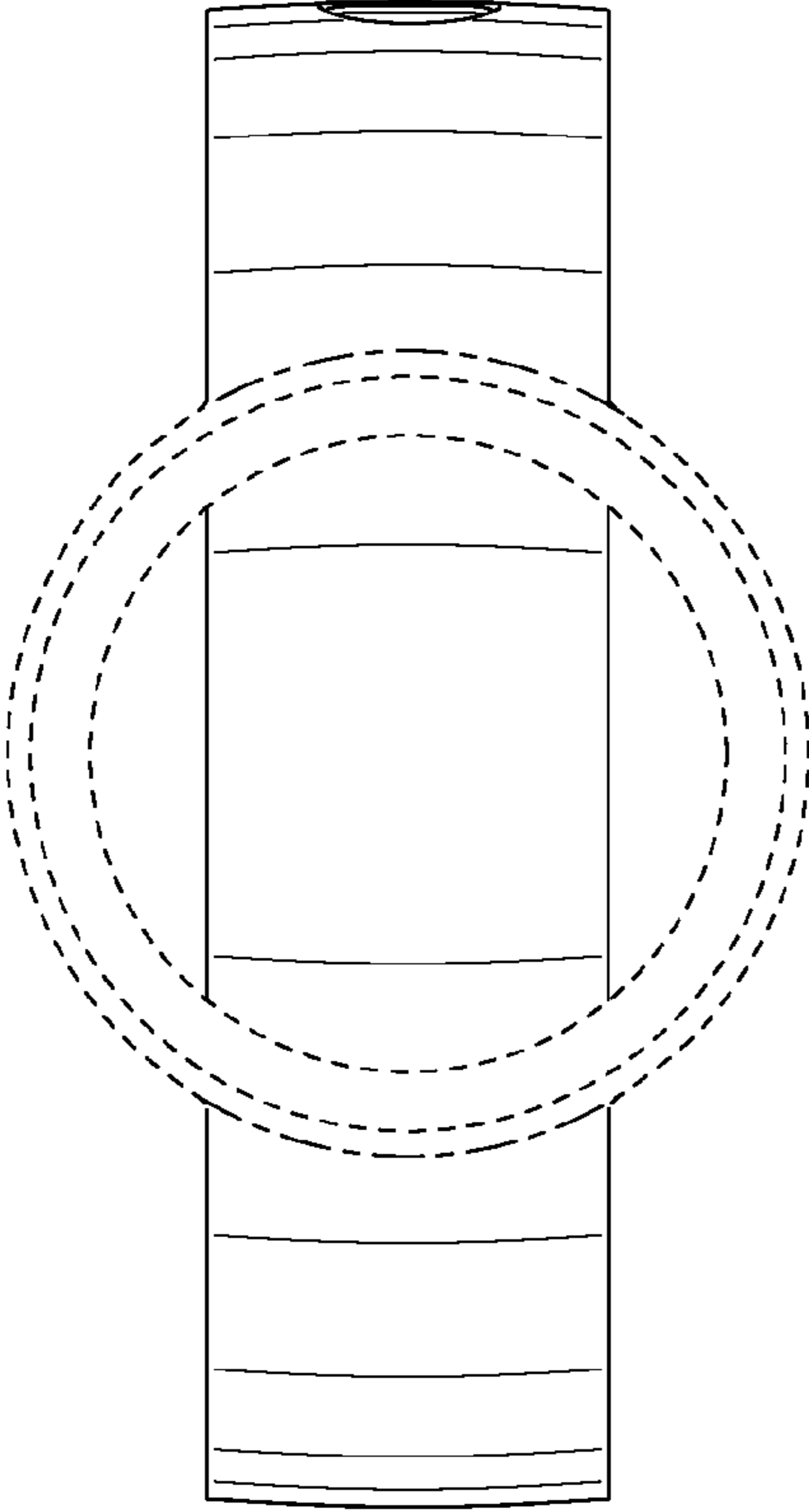


FIG. 2

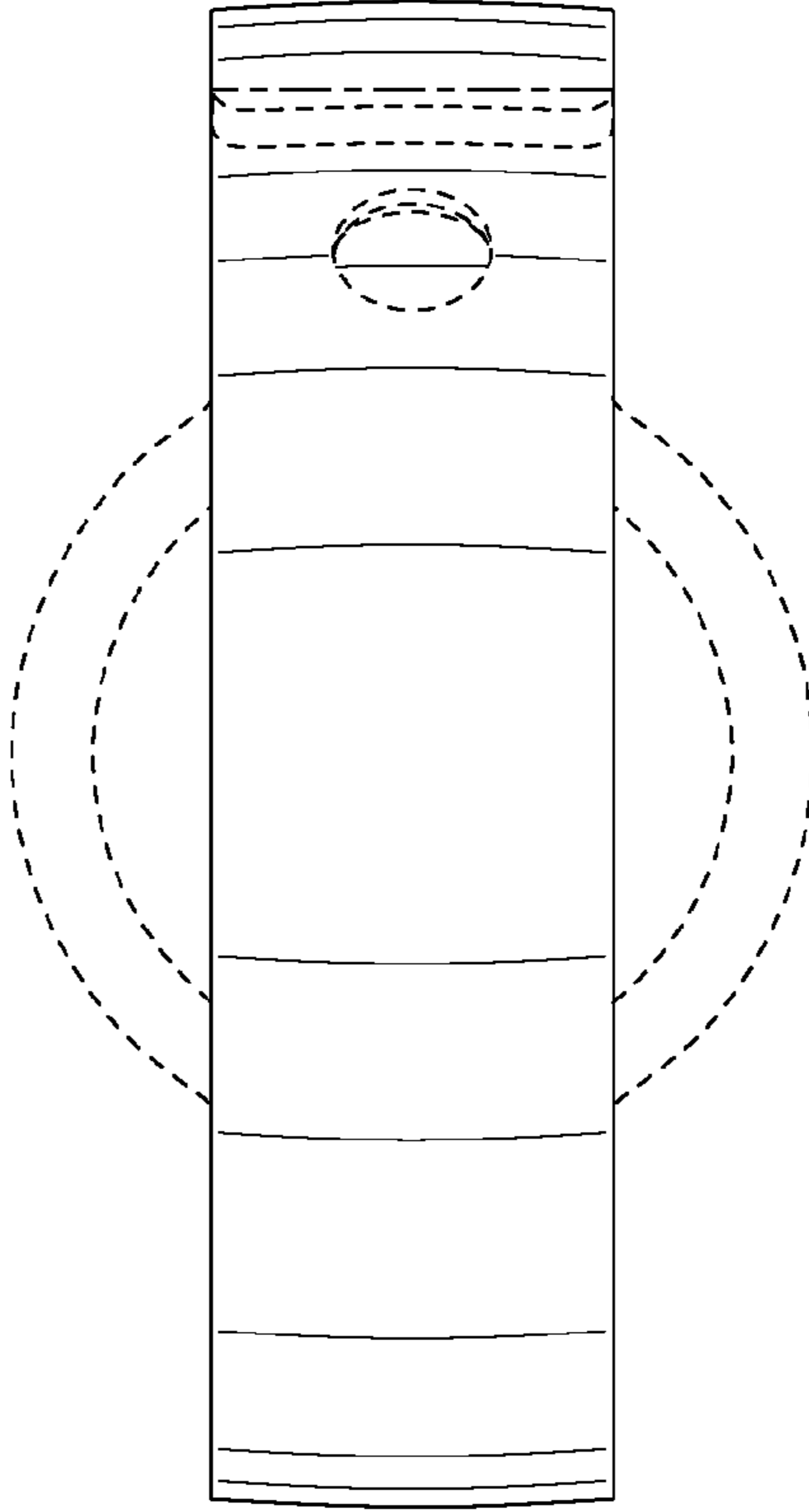


FIG. 3

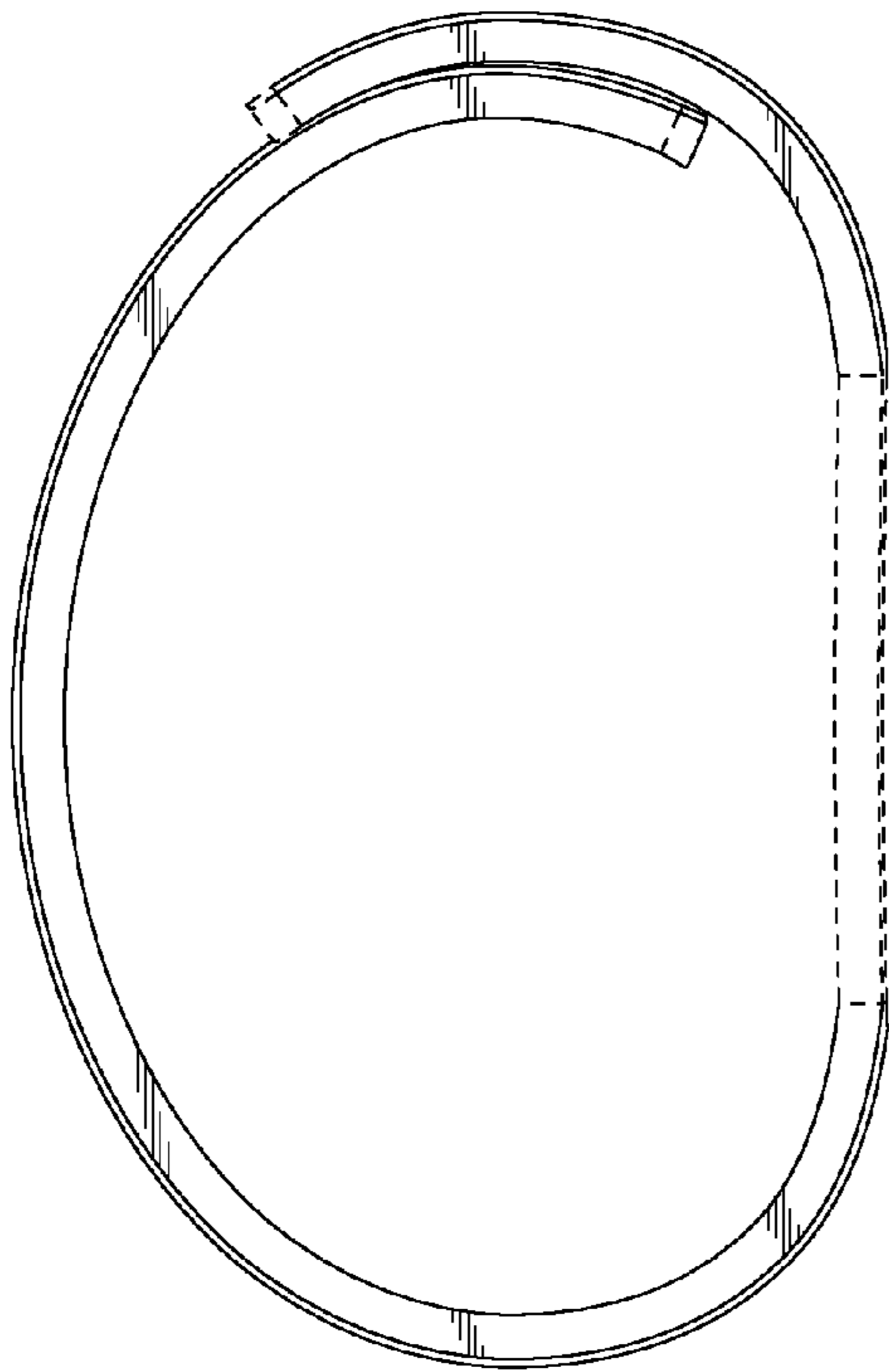


FIG. 4

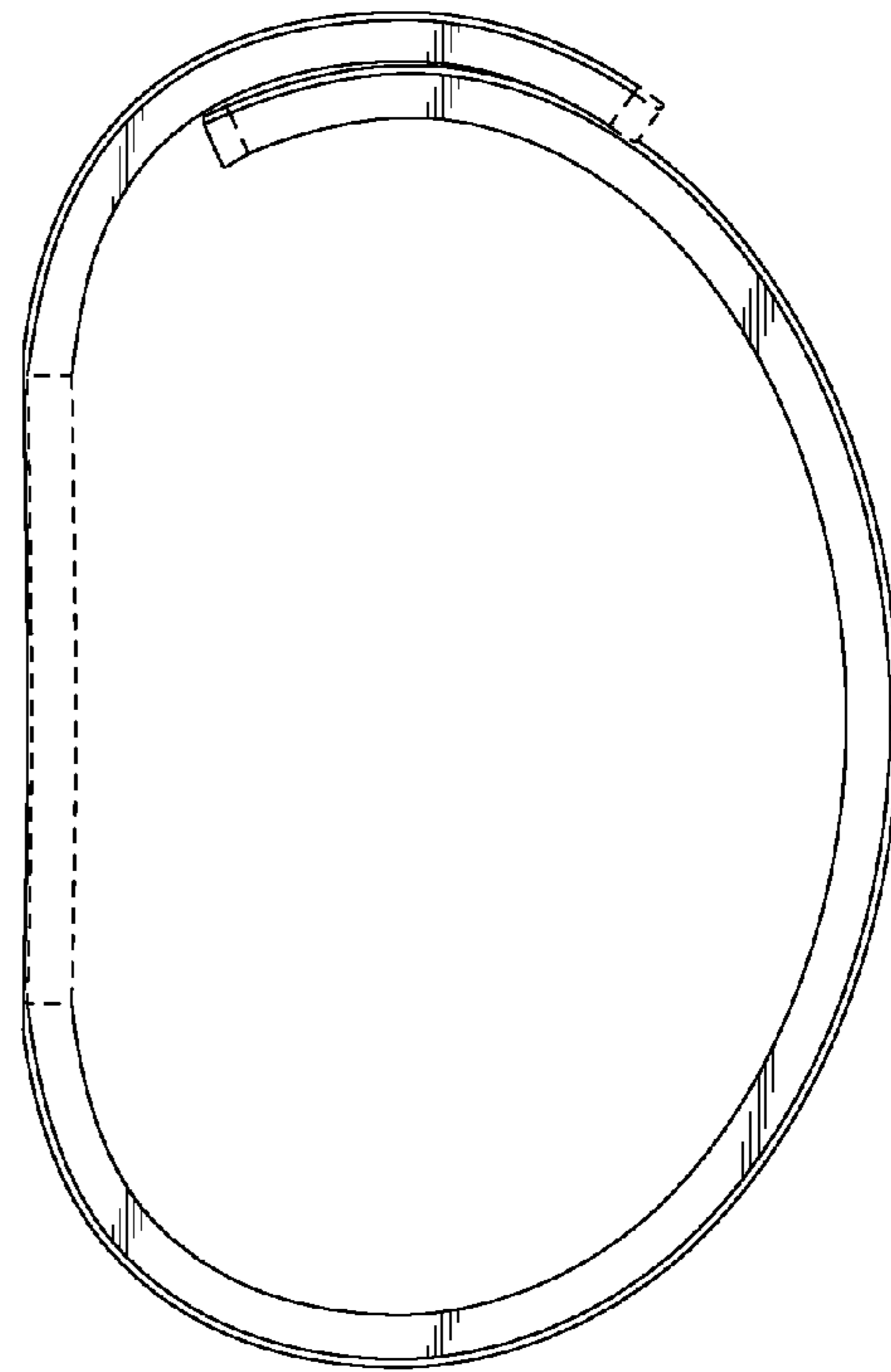


FIG. 5

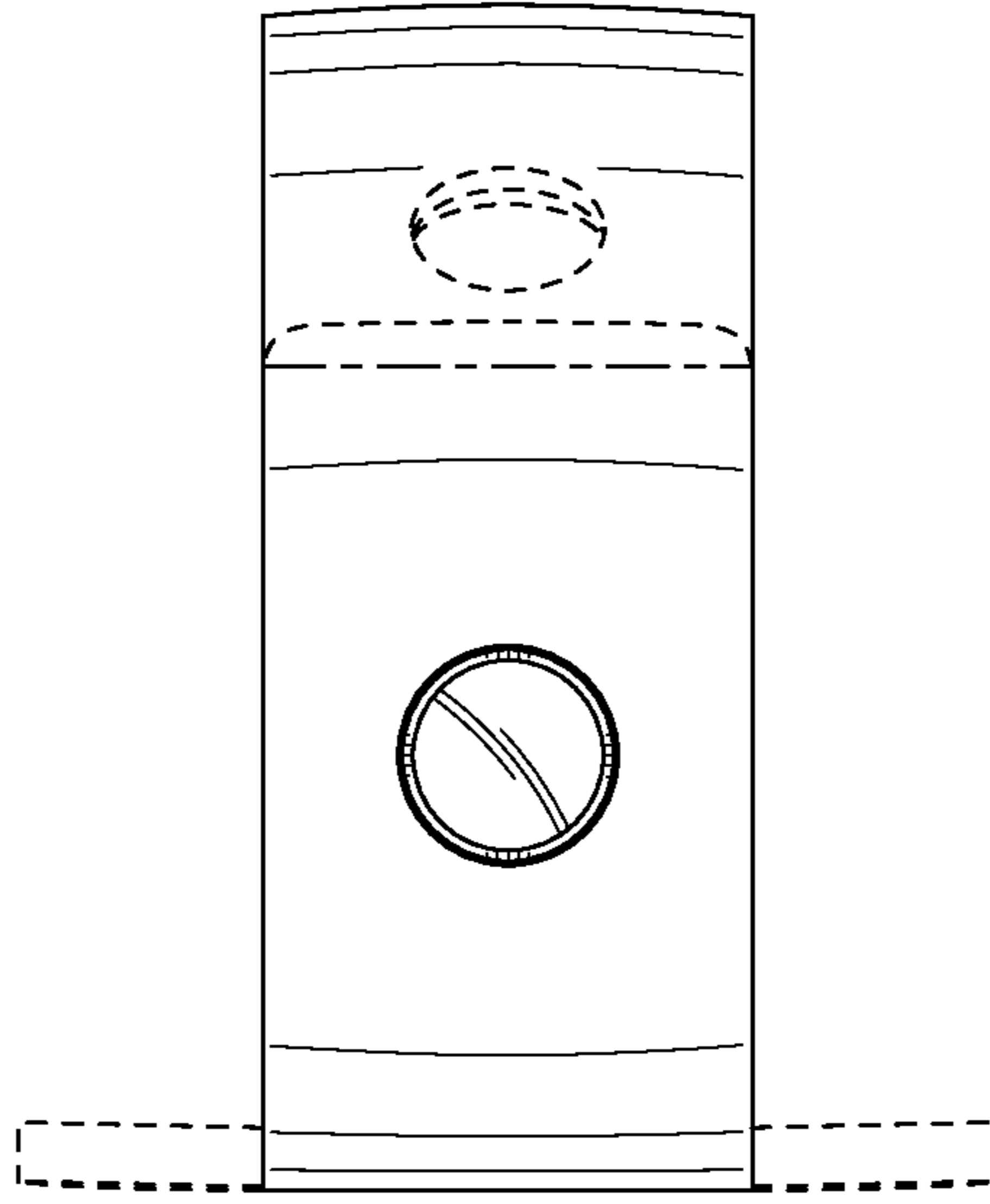


FIG. 6

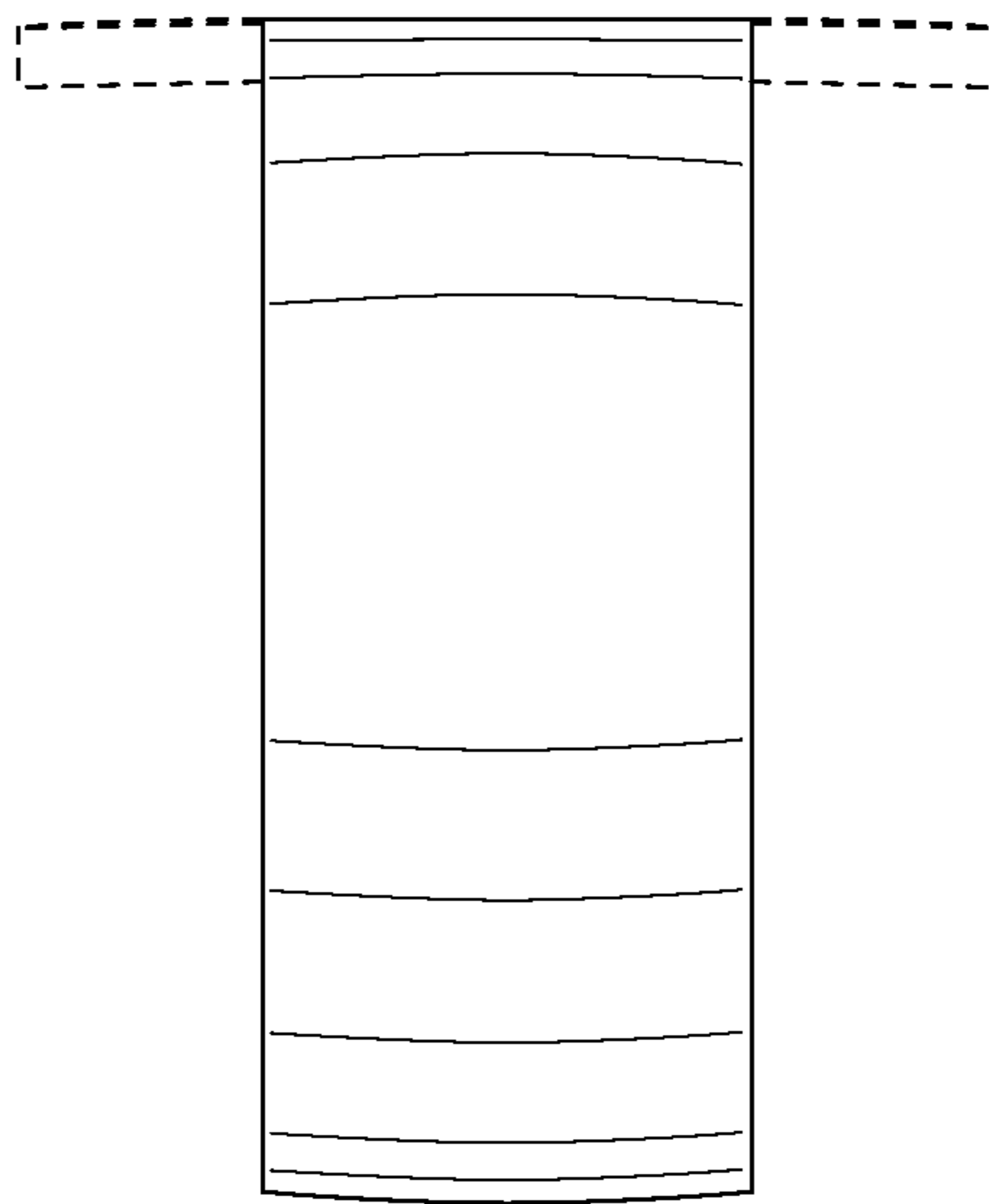


FIG. 7

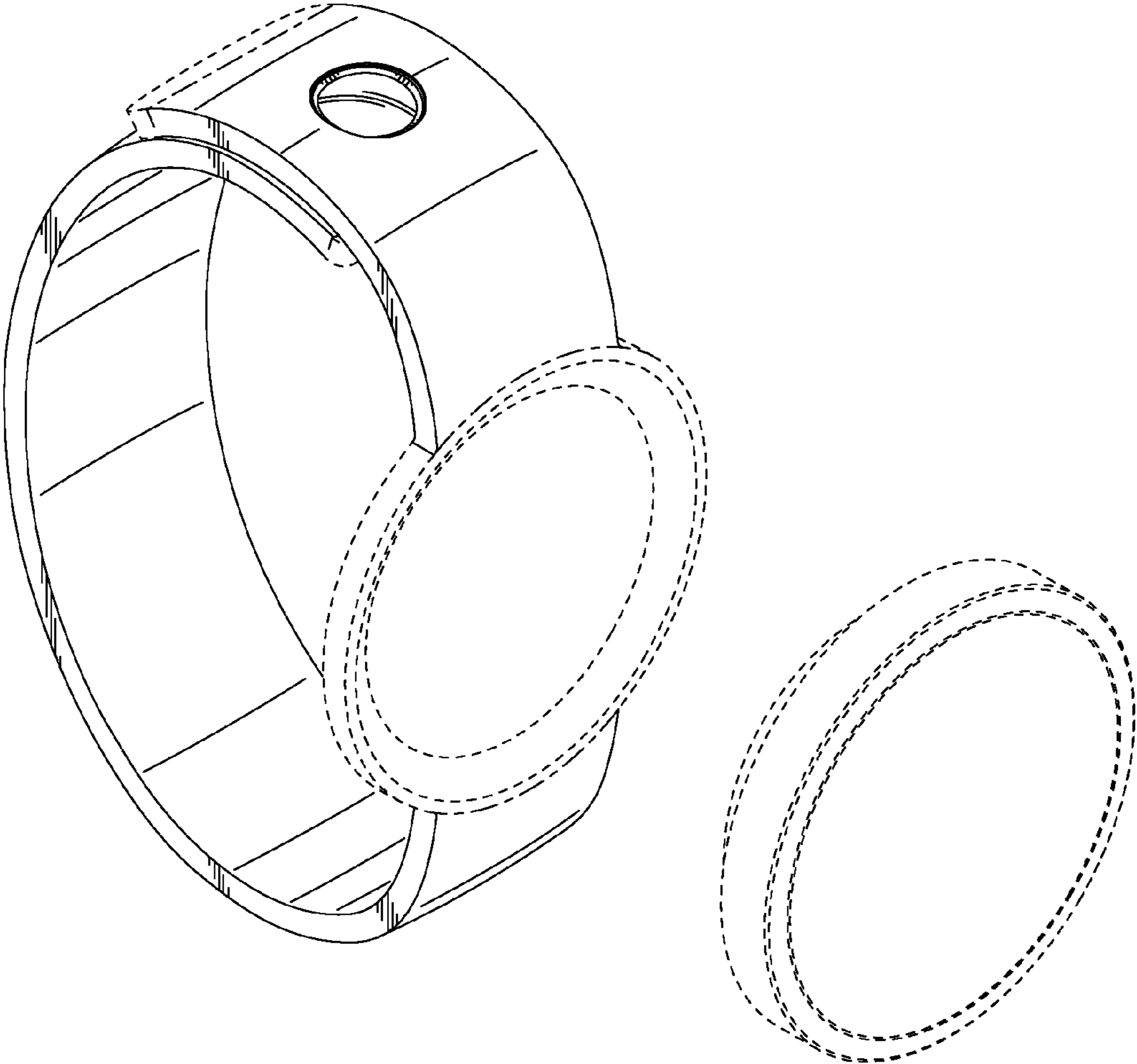


FIG. 8