



US00D737163S

(12) **United States Design Patent**
Yamamoto et al.

(10) **Patent No.:** **US D737,163 S**

(45) **Date of Patent:** **** Aug. 25, 2015**

(54) **PHOTOELECTRIC SENSOR**

(71) Applicant: **HOKUYO AUTOMATIC CO., LTD.**,
Osaka-shi, Osaka (JP)

(72) Inventors: **Akihito Yamamoto**, Amagasaki (JP);
Kazumasa Kato, Settsu (JP); **Toshihiro Mori**, Takatsuki (JP)

(**) Term: **14 Years**

(21) Appl. No.: **29/484,475**

(22) Filed: **Mar. 10, 2014**

(30) **Foreign Application Priority Data**

Sep. 11, 2013 (JP) 2013-020973
Sep. 11, 2013 (JP) 2013-020974

(51) **LOC (10) Cl.** **10-01**

(52) **U.S. Cl.**
USPC **D10/106.6**

(58) **Field of Classification Search**
USPC D13/180; D10/18, 21, 24, 25, 27, 28,
D10/46, 93, 104.1, 113, 114, 116.1; D17/99
CPC B60Q 1/04; B60Q 1/26; F21S 8/026;
F21S 8/04; F21V 29/004; F21V 21/02;
F21V 21/04; F21V 29/2212; F21Y 2101/02
See application file for complete search history.

(56) **References Cited**

U.S. PATENT DOCUMENTS

D319,650 S * 9/1991 Hart D17/22
D328,038 S * 7/1992 Bruce D10/104.1
D359,063 S * 6/1995 Falk D17/99
D365,606 S * 12/1995 Rucker et al. D21/398
D385,643 S * 10/1997 Brohard et al. D26/71
D415,441 S * 10/1999 Pinchuk D10/104.1
D425,535 S * 5/2000 Mutoh et al. D16/203

(Continued)

OTHER PUBLICATIONS

Smart-URG, the UST series, image post date 2014, site visited May 28, 2015, (online), <https://evt-web.jp/logi/enq/web/logi_jizen/detail_en.cgi?id=696>.*

(Continued)

Primary Examiner — Kevin Rudzinski
Assistant Examiner — Sean D Lough
(74) *Attorney, Agent, or Firm* — Oliff PLC

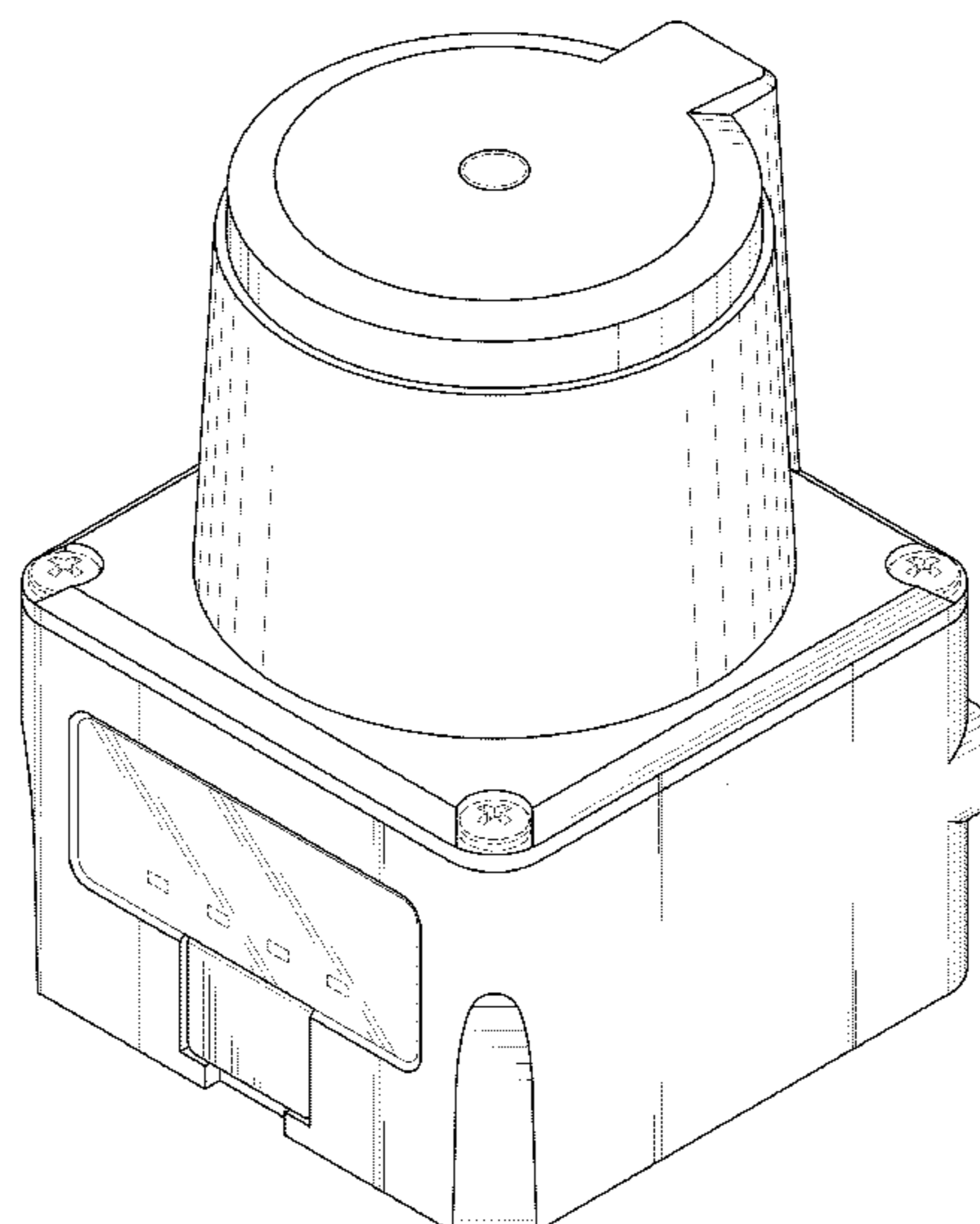
(57) **CLAIM**

The ornamental design for a photoelectric sensor, as shown and described.

DESCRIPTION

FIG. 1 is a front view of a photoelectric sensor in a first embodiment;
FIG. 2 is a rear view thereof;
FIG. 3 is a left side view thereof;
FIG. 4 is a right side view thereof;
FIG. 5 is a top view thereof;
FIG. 6 is a bottom view thereof;
FIG. 7 is a perspective view thereof;
FIG. 8 is a front view of a photoelectric sensor in a second embodiment;
FIG. 9 is a rear view thereof;
FIG. 10 is a left side view thereof;
FIG. 11 is a right side view thereof;
FIG. 12 is a top view thereof;
FIG. 13 is a bottom view thereof; and,
FIG. 14 is a perspective view thereof.
The oblique shade lines on the cap portion in FIGS. 8-12 and FIG. 14 of embodiment 2 and on the rectangular feature in FIGS. 1, 7, 8 and 14 indicate the surfaces are translucent. The straight line shading throughout the drawing disclosure indicates the surfaces are opaque.
The broken lines illustrate portions of the photoelectric sensor that depict environmental subject matter only and form no part of the claimed design.

1 Claim, 14 Drawing Sheets



(56)

References Cited

U.S. PATENT DOCUMENTS

D431,791 S * 10/2000 Watanabe D10/116.1
 D507,589 S * 7/2005 Ito D17/22
 D525,198 S * 7/2006 Ikeda et al. D13/123
 D527,038 S * 8/2006 Eskew D17/99
 D533,799 S * 12/2006 Thalhammer et al. D10/106.1
 D580,085 S * 11/2008 Svensson D26/71
 D597,589 S * 8/2009 Onishi D17/22
 D608,494 S * 1/2010 Yang D26/129
 D610,100 S * 2/2010 Chang et al. D13/180
 D625,046 S * 10/2010 Liu et al. D26/128
 D628,323 S * 11/2010 Matthews et al. D26/24
 D631,062 S * 1/2011 Bennett D14/496
 D636,013 S * 4/2011 Shin et al. D17/1
 D654,917 S * 2/2012 Chaturvedi et al. D14/358
 D656,130 S * 3/2012 Bailey D14/227

D665,526 S * 8/2012 Kong et al. D26/113
 D666,353 S * 8/2012 Lin et al. D26/124
 D669,381 S * 10/2012 Hojmose D10/121
 2002/0018344 A1* 2/2002 Sears et al. 362/265

OTHER PUBLICATIONS

UST-10LX & 20LX—Hokuyo Automatic, image post date 2012, site visited May 28, 2015, (online), <http://www.hokuyo-aut.jp/02sensor/07scanner/download/products/ust-10lx_20lx/>.*

Hossoni BF, image post date May 30, 2012, site visited May 28, 2015, (online), <<http://sell.lulusoso.com/selling-leads/1990388/Photoelectric-CE-approved-light-sensor-photoelectric-sensor-sensor-switch-photocell-.html>>.*

UST-10LX/20LX, image post date Jun. 12, 2014, site visited May 29, 2015, (online), <http://www.hokuyo-aut.jp/02sensor/07scanner/ust_10lx_20lx.html>.*

* cited by examiner

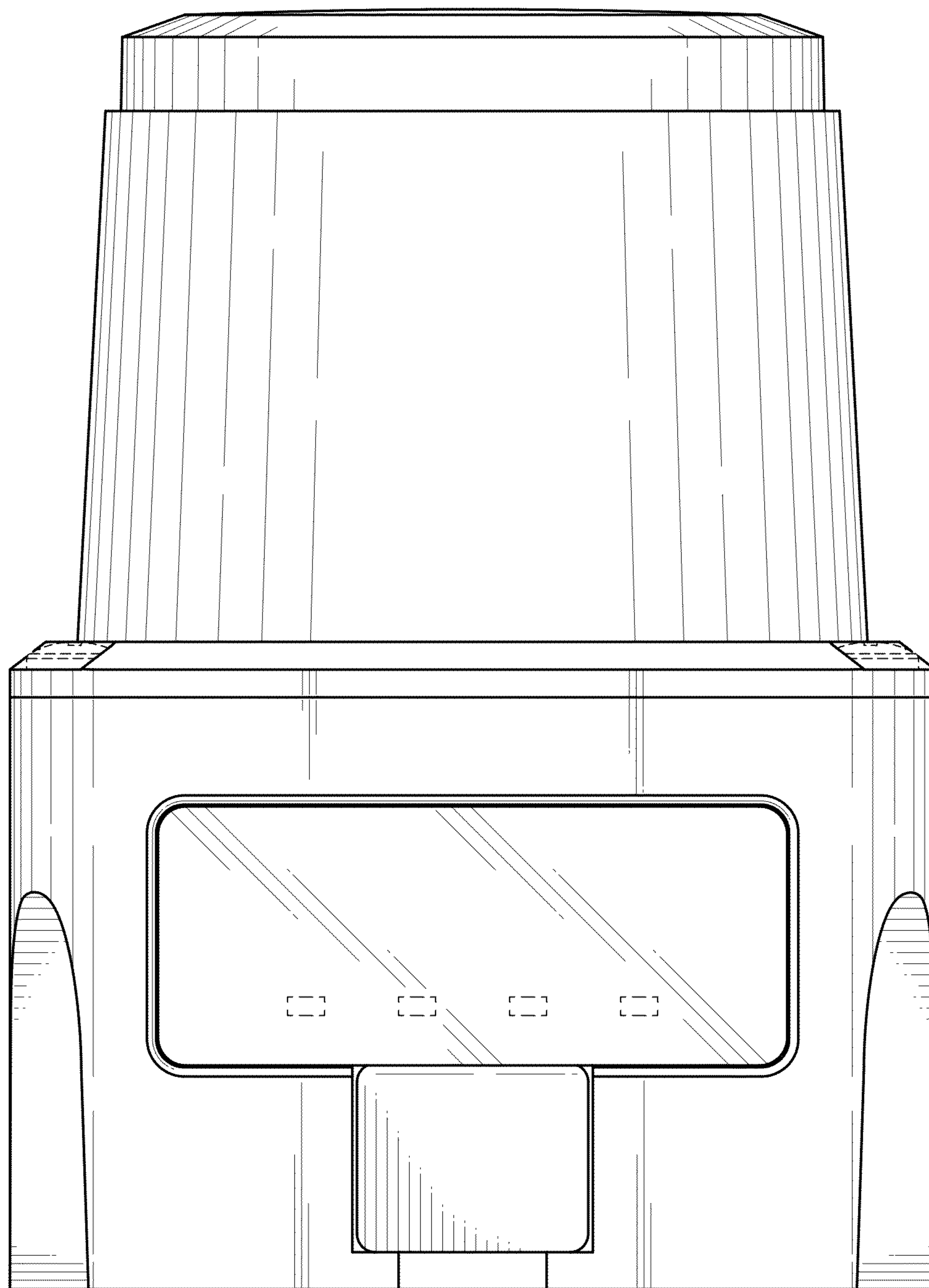


FIG. 1

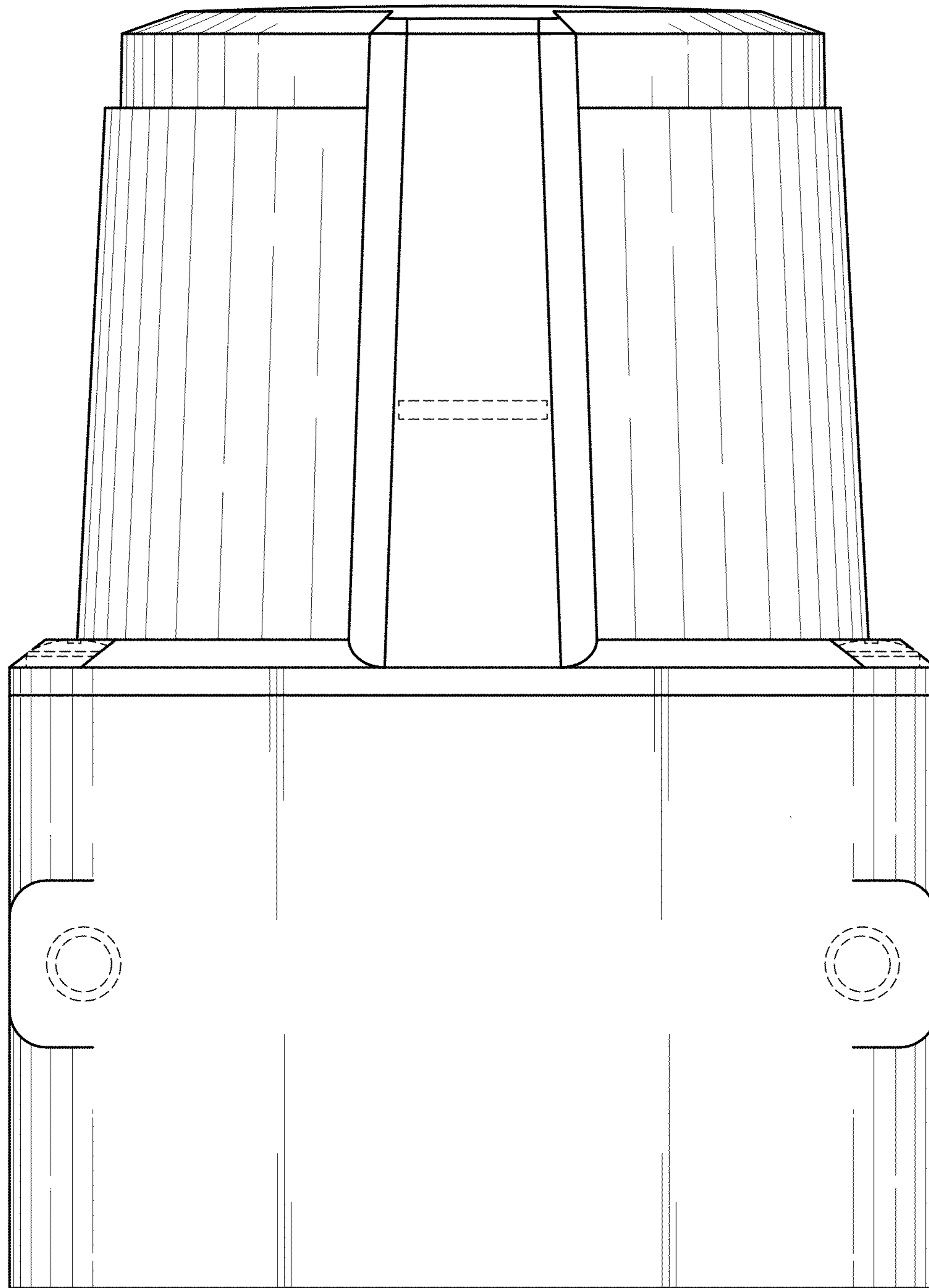


FIG. 2

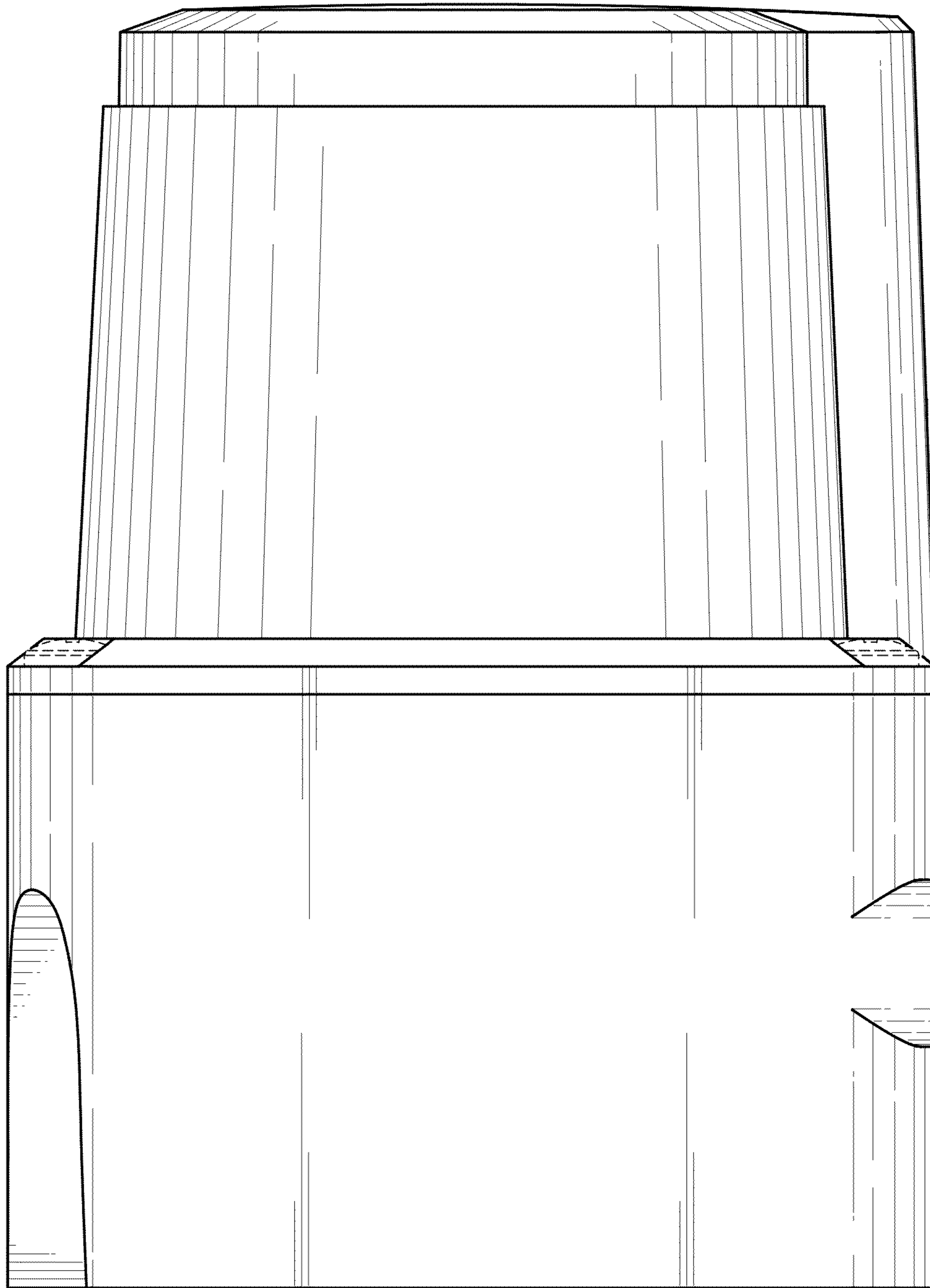


FIG. 3

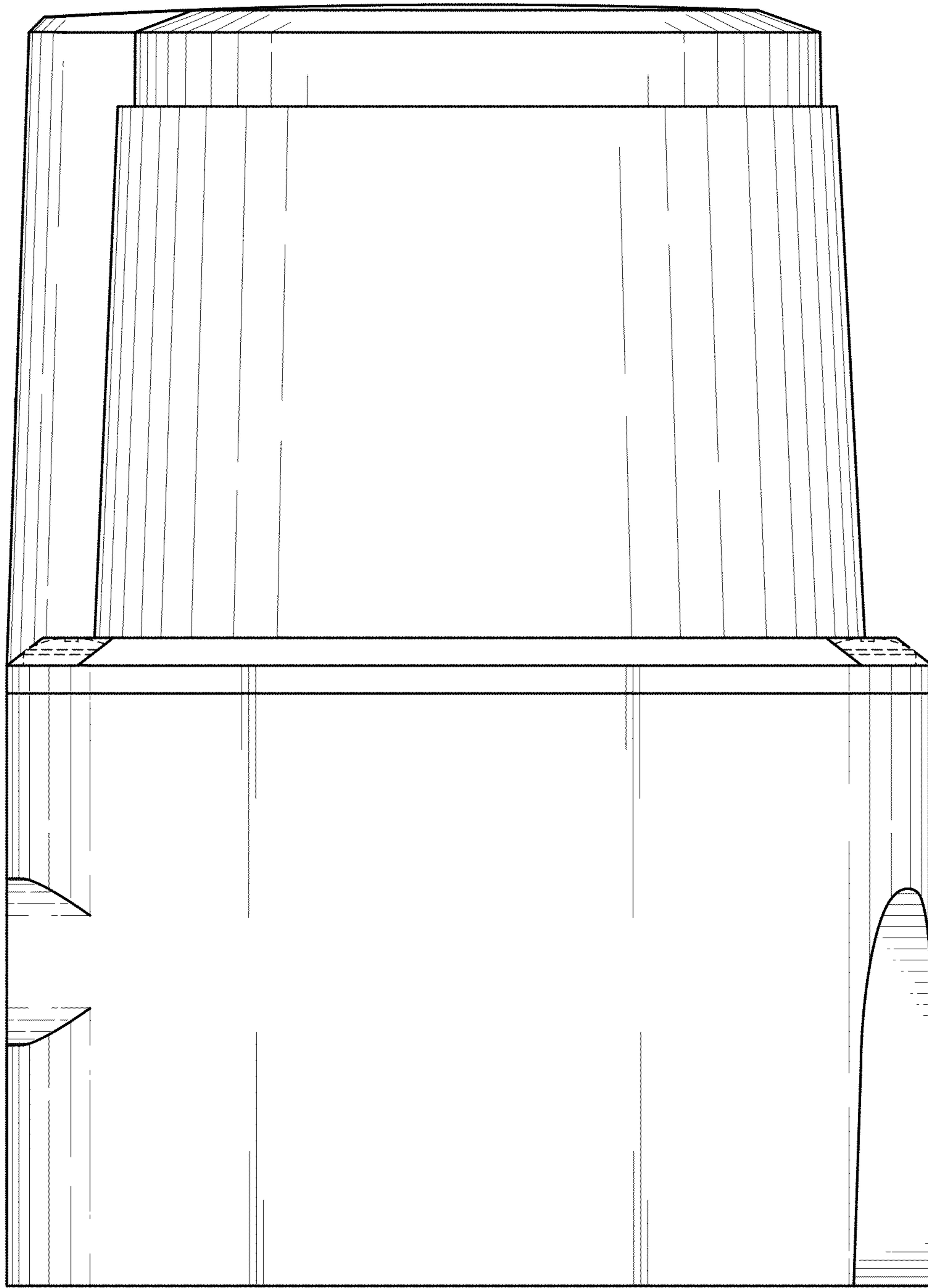


FIG. 4

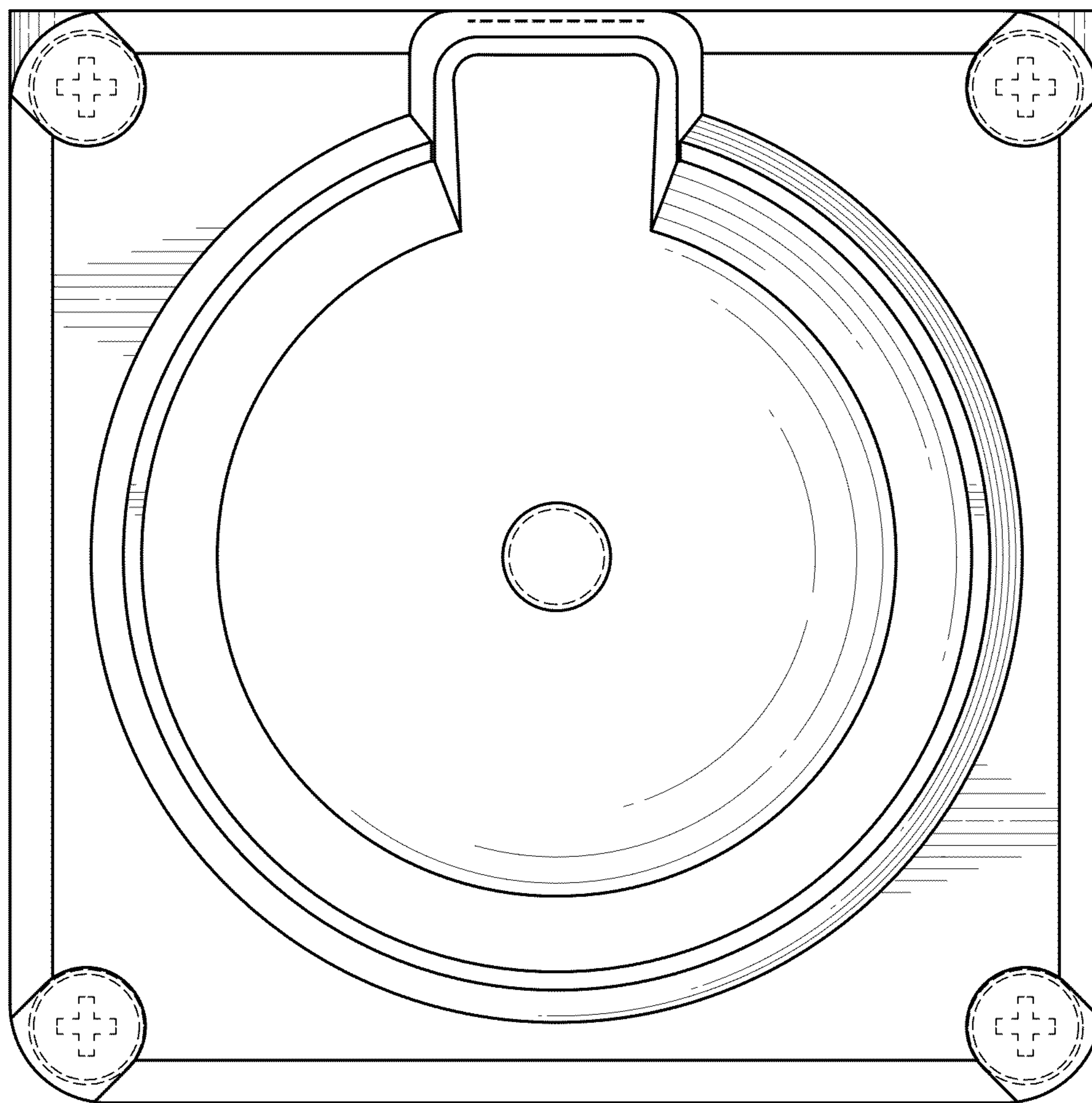


FIG. 5

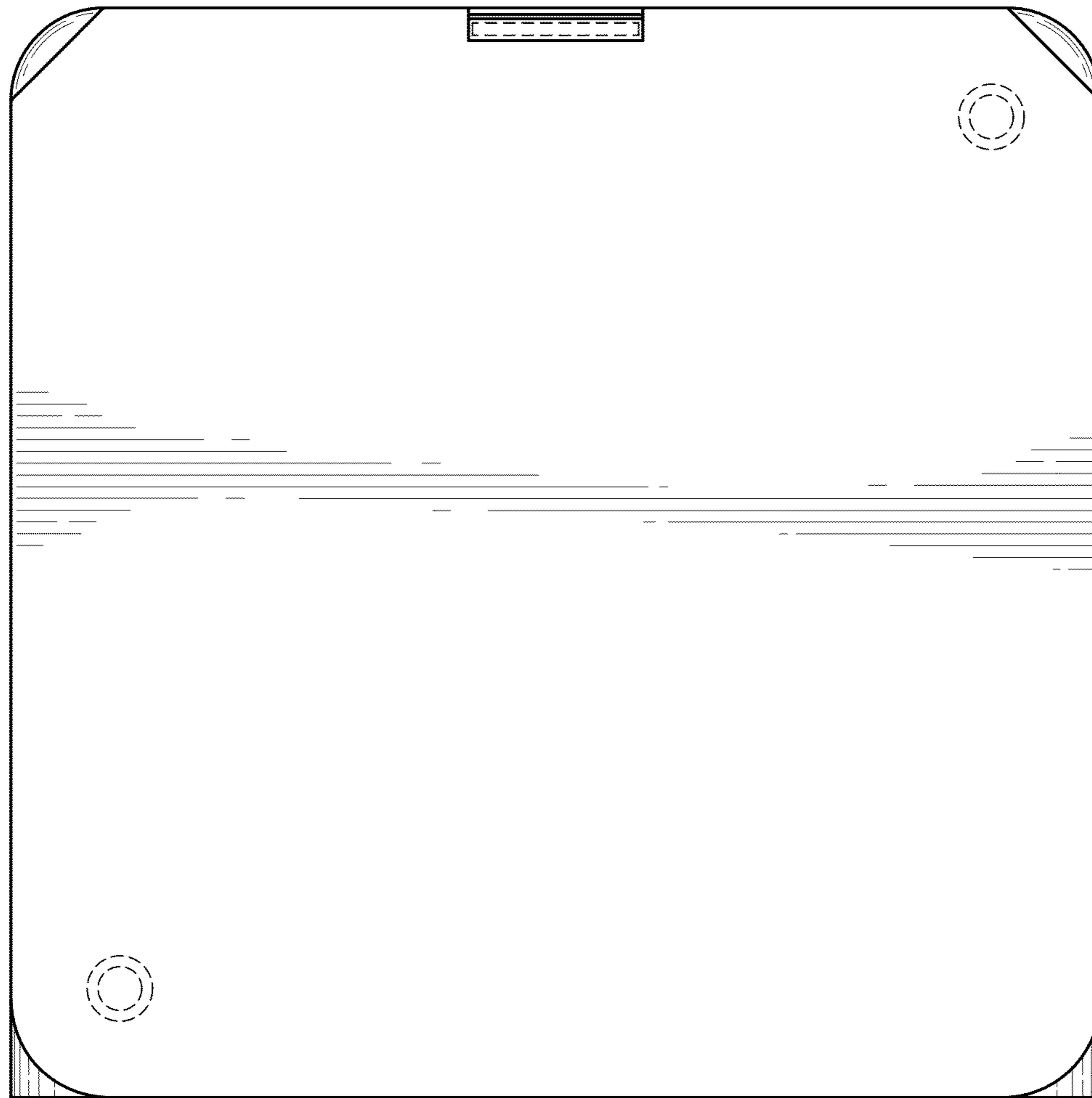


FIG. 6

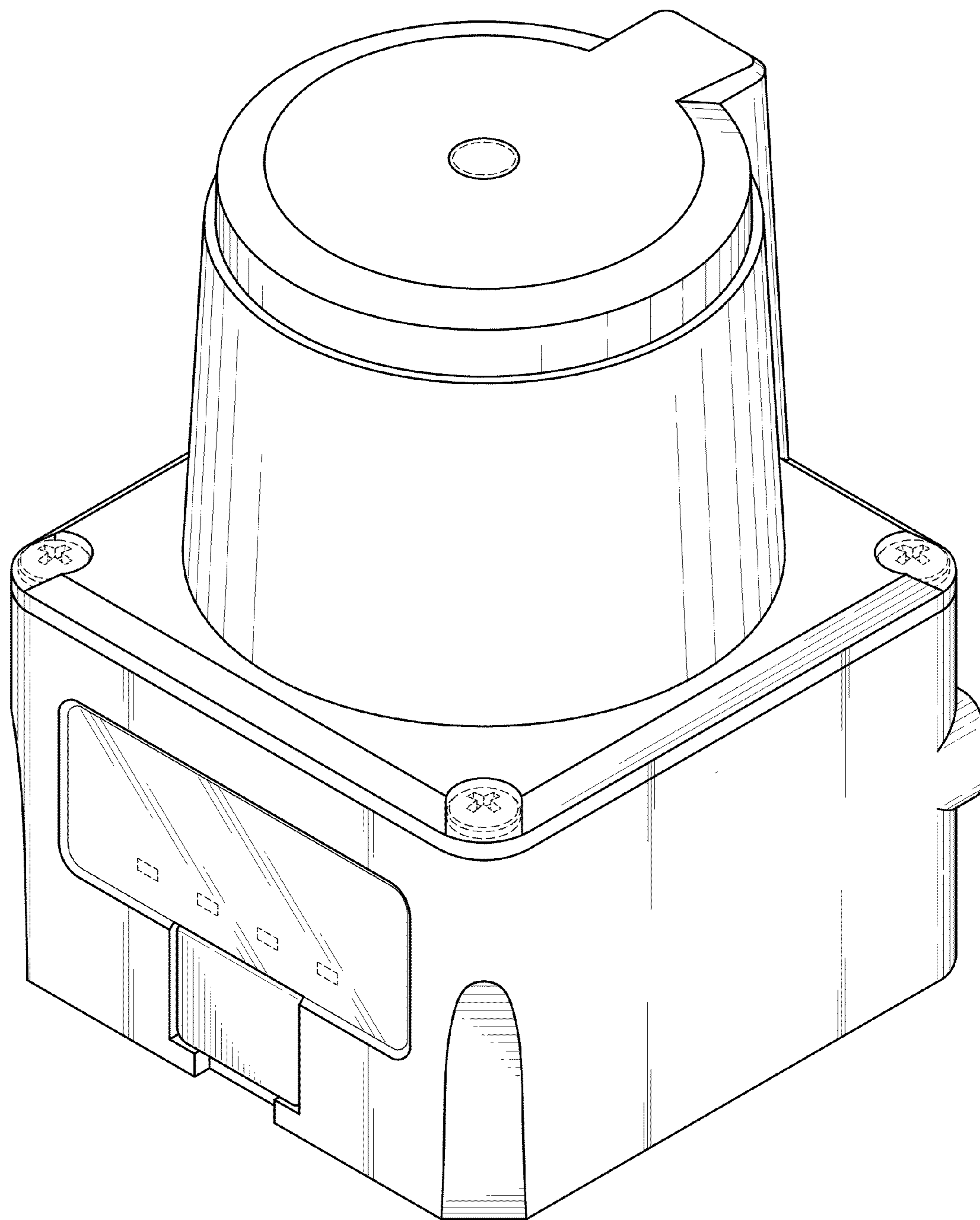


FIG. 7

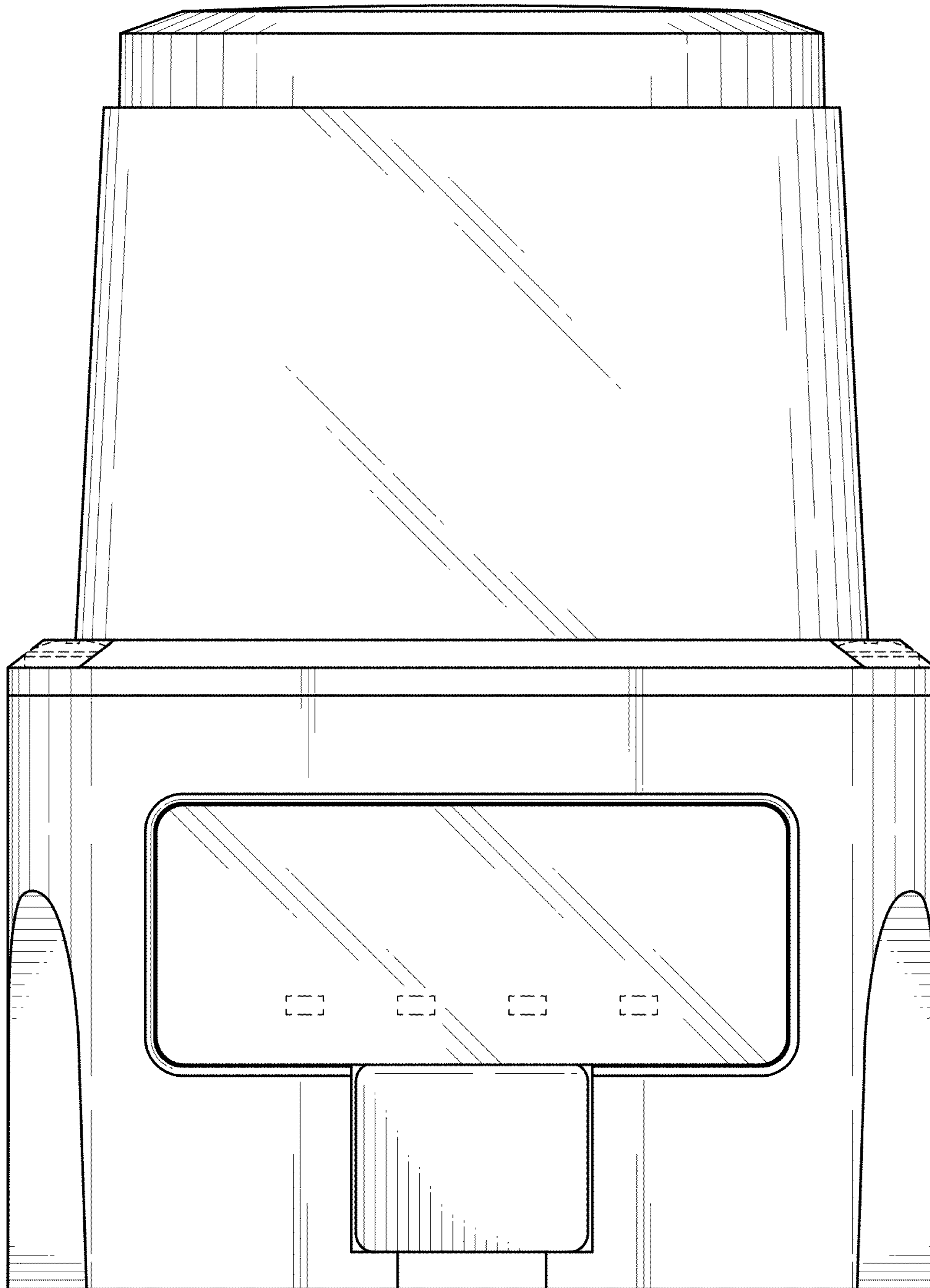


FIG. 8

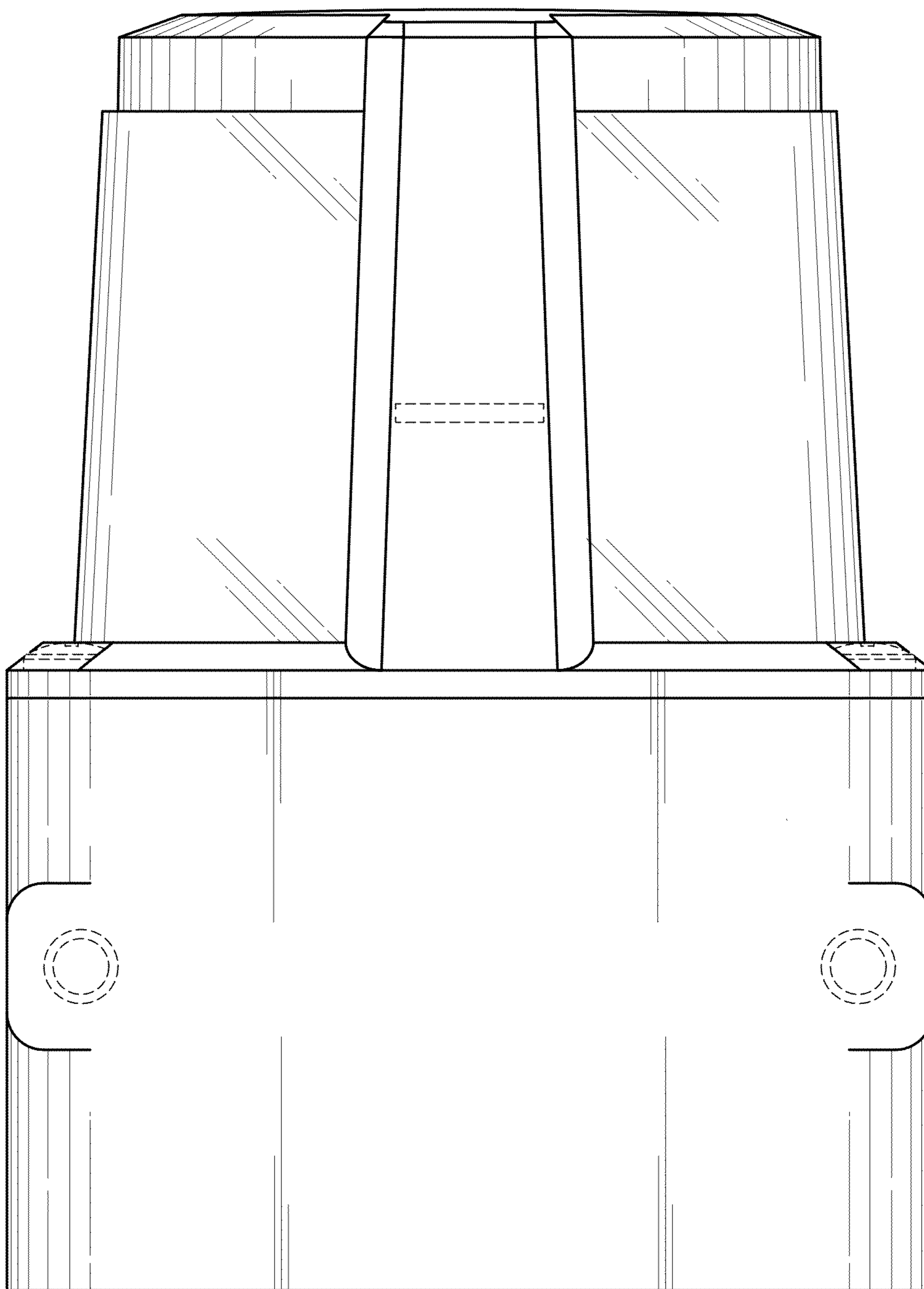


FIG. 9

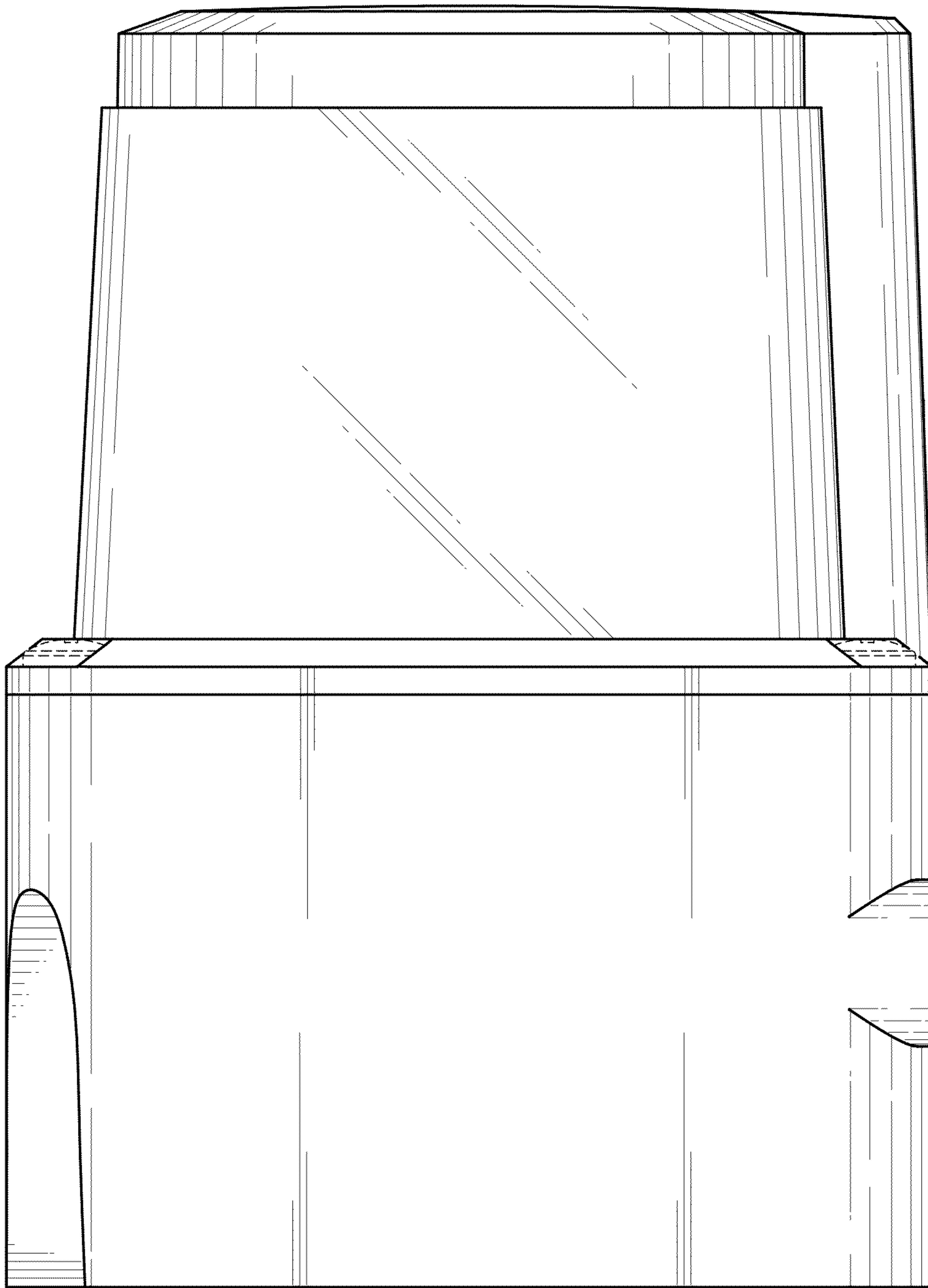


FIG. 10

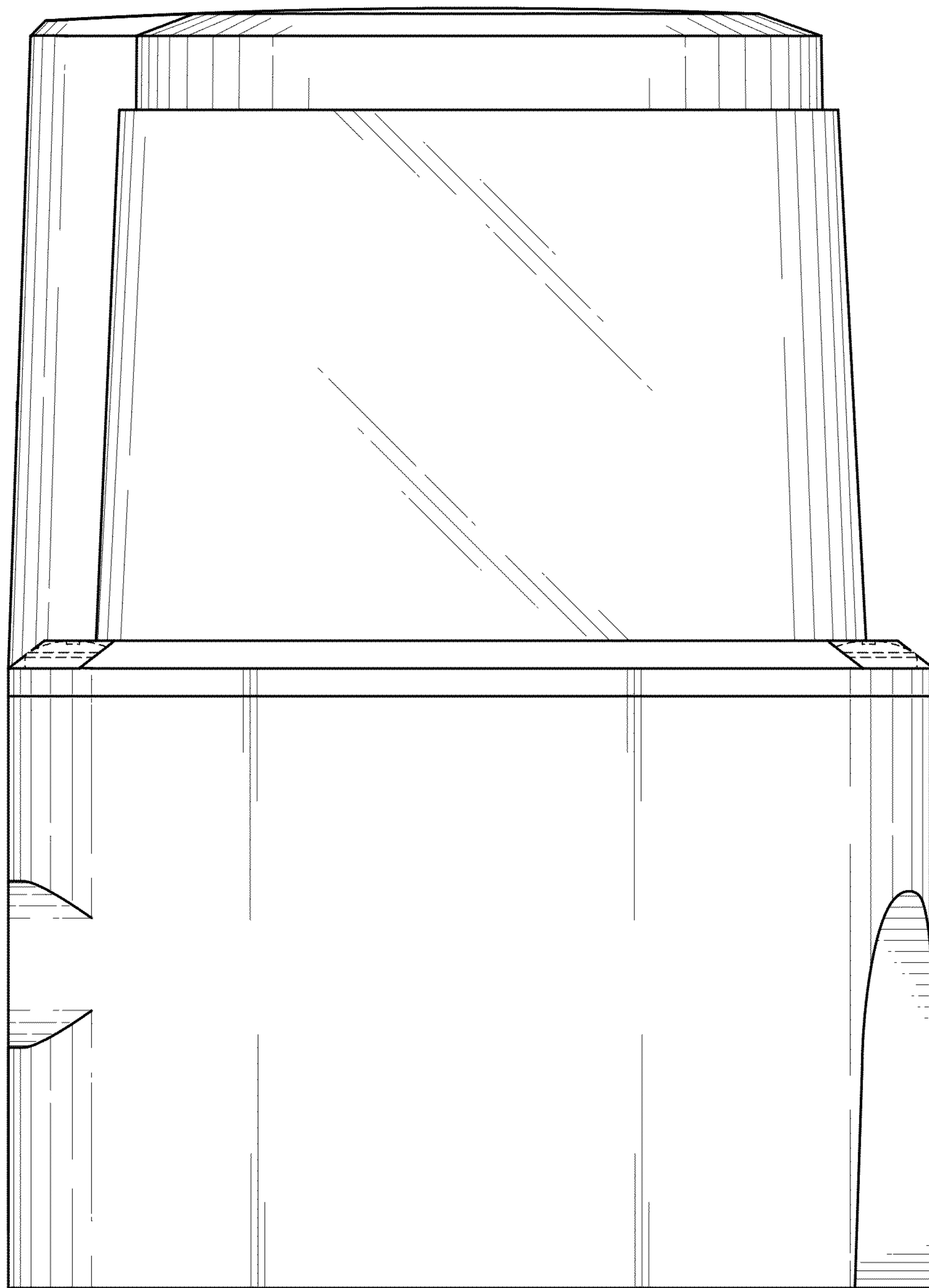


FIG. 11

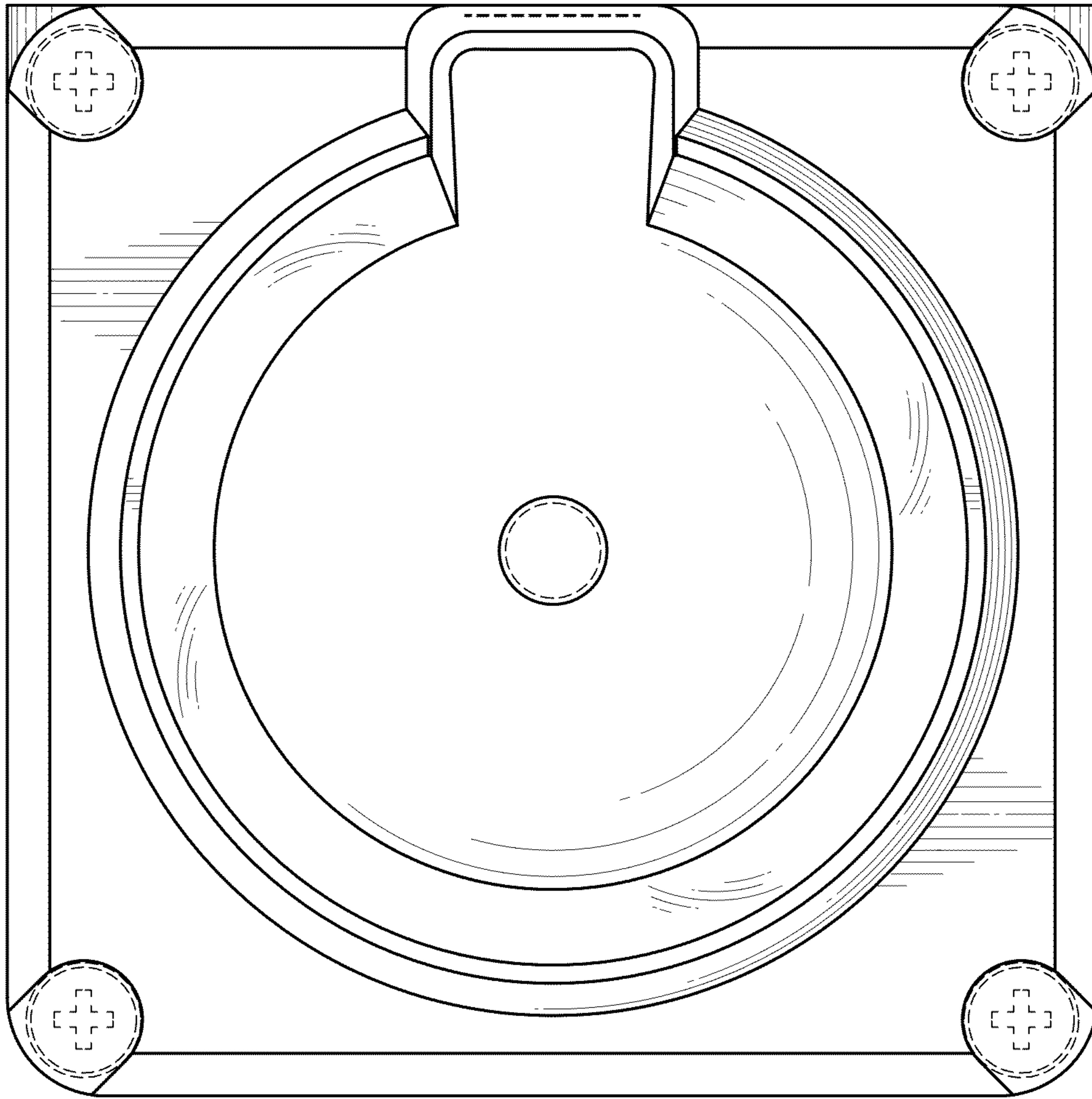


FIG. 12

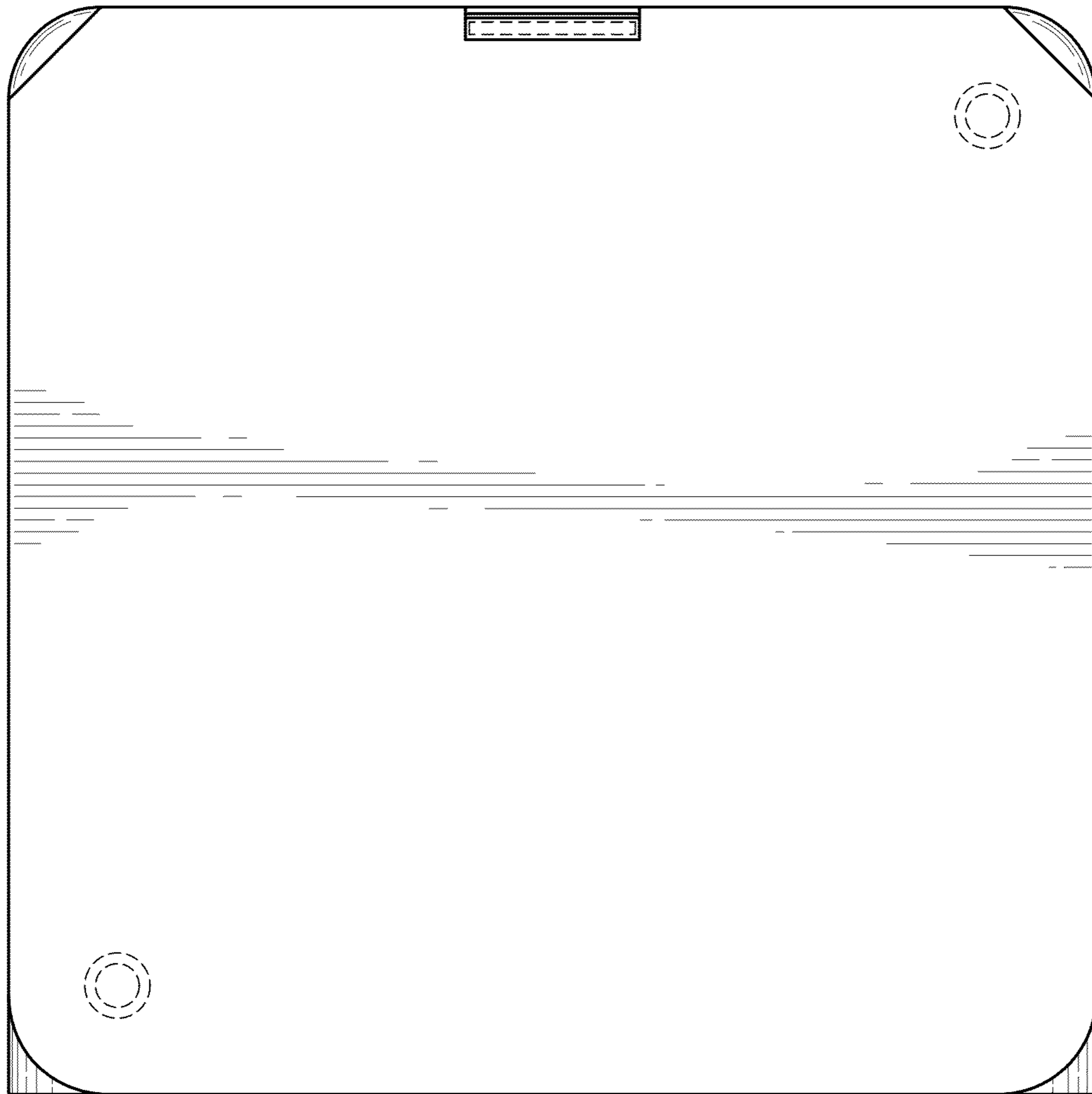


FIG. 13

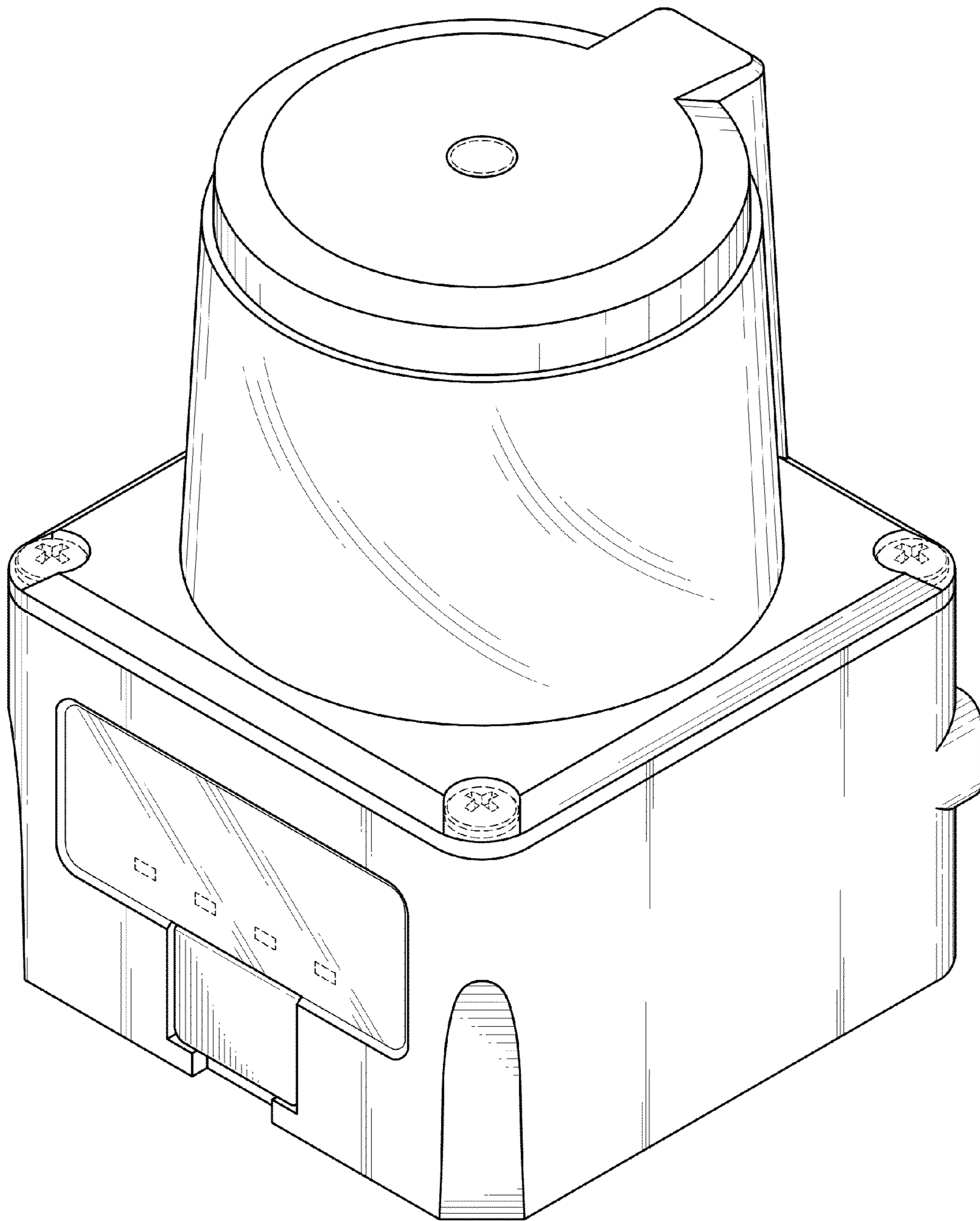


FIG. 14