

US00D737161S

(12) **United States Design Patent**  
**Okazaki et al.**

(10) **Patent No.:** **US D737,161 S**

(45) **Date of Patent:** **\*\* Aug. 25, 2015**

(54) **ENCODER FOR DYNAMOMETER  
OPERATION DEVICE**

(71) Applicant: **MEIDENSHA CORPORATION**,  
Tokyo (JP)

(72) Inventors: **Nobuo Okazaki**, Hachioji (JP);  
**Kunihiko Watanabe**, Yokohama (JP)

(73) Assignee: **MEIDENSHA CORPORATION**,  
Tokyo (JP)

(\*\*) Term: **14 Years**

(21) Appl. No.: **29/463,430**

(22) Filed: **Nov. 19, 2013**

(30) **Foreign Application Priority Data**

May 20, 2013 (JP) ..... D2013-011046

(51) **LOC (10) Cl.** ..... **10-04**

(52) **U.S. Cl.**  
USPC ..... **D10/83**

(58) **Field of Classification Search**  
USPC ..... D10/83-85  
CPC ..... G01L 5/06; G01L 5/101; G01L 3/18;  
G01L 3/20; G01L 3/22; G01L 3/1478; G01L  
3/1471; G01L 3/16; G01R 31/34; Y10S  
60/912; H02K 49/08; H02K 49/046; G01G  
3/1404; G01G 19/18; G01M 15/044; G01M  
15/02; G01M 15/09; G01M 17/0072

See application file for complete search history.

(56) **References Cited**

U.S. PATENT DOCUMENTS

D209,776 S \* 1/1968 Kutz ..... D10/46  
4,475,409 A \* 10/1984 Zulliger ..... 73/862.627  
4,870,585 A \* 9/1989 Manzolini ..... 701/101  
4,914,390 A \* 4/1990 Orlicki et al. .... 324/207.17  
6,575,031 B2 \* 6/2003 Haeg et al. .... 73/503

OTHER PUBLICATIONS

U.S. Appl. No. 29/463,429, filed Nov. 19, 2013, Okazaki et al.

\* cited by examiner

*Primary Examiner* — Antoine D Davis

(74) *Attorney, Agent, or Firm* — Foley & Lardner LLP

(57) **CLAIM**

We claim the ornamental design for an encoder for dynamometer operation device, as shown and described.

**DESCRIPTION**

FIG. 1 is a front view of an embodiment of the claimed design;

FIG. 2 is a back view of the claimed design of FIG. 1;

FIG. 3 is a right side view of the claimed design of FIG. 1;

FIG. 4 is a left side view of the claimed design of FIG. 1;

FIG. 5 is a plan view of the claimed design of FIG. 1;

FIG. 6 is a bottom view of the claimed design of FIG. 1; and,

FIG. 7 is a perspective view of the claimed design of FIG. 1.

**1 Claim, 7 Drawing Sheets**

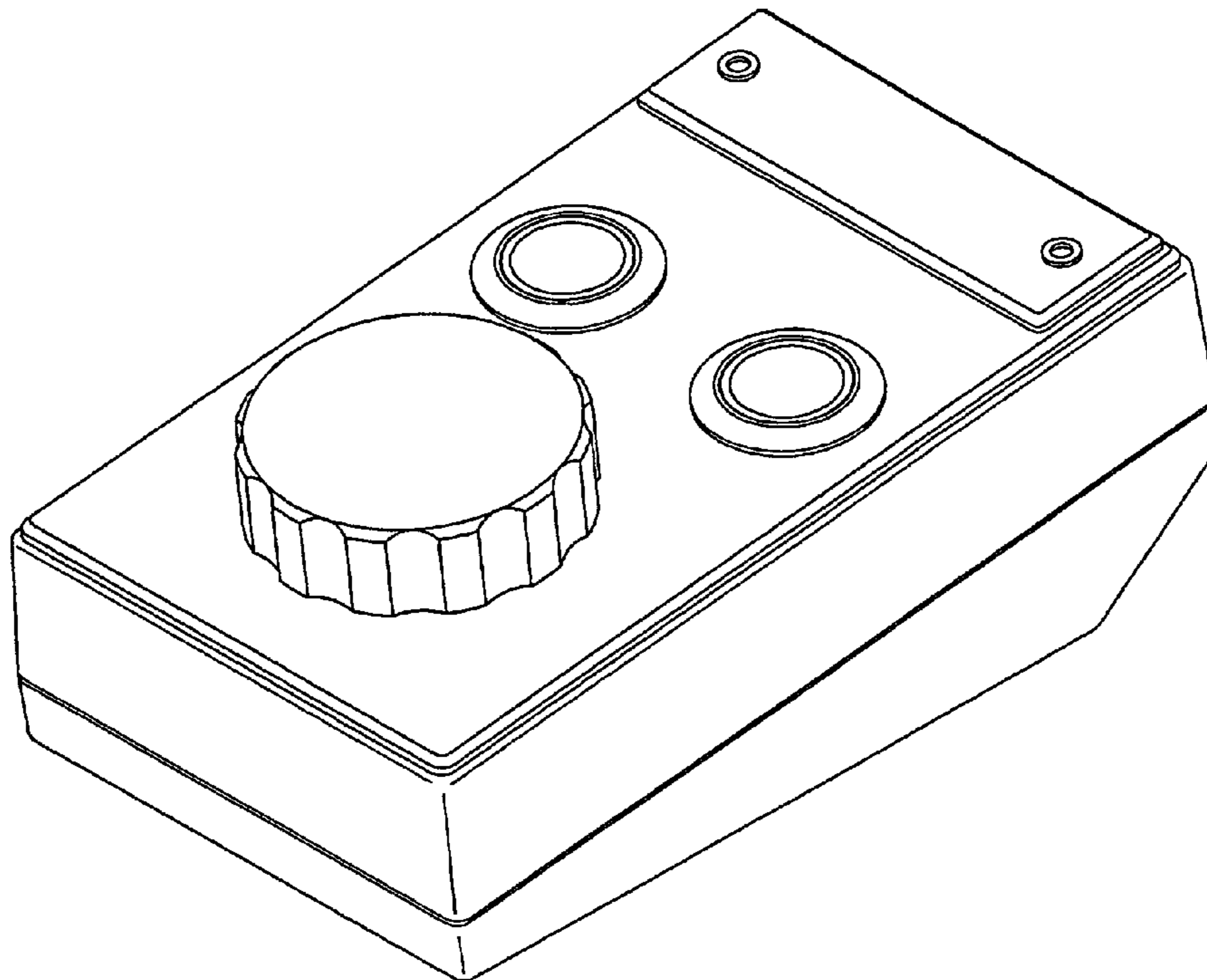


FIG. 1

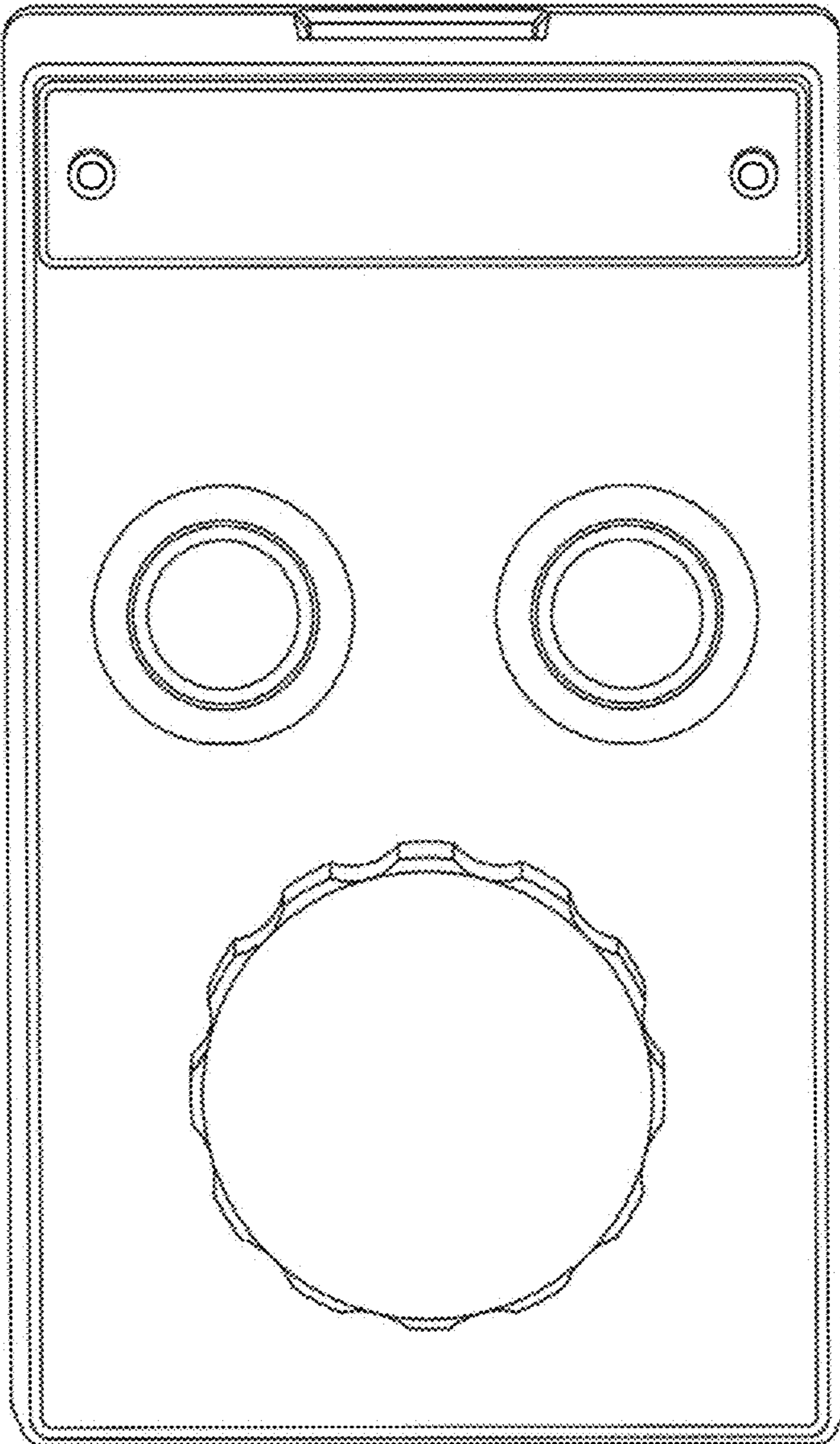
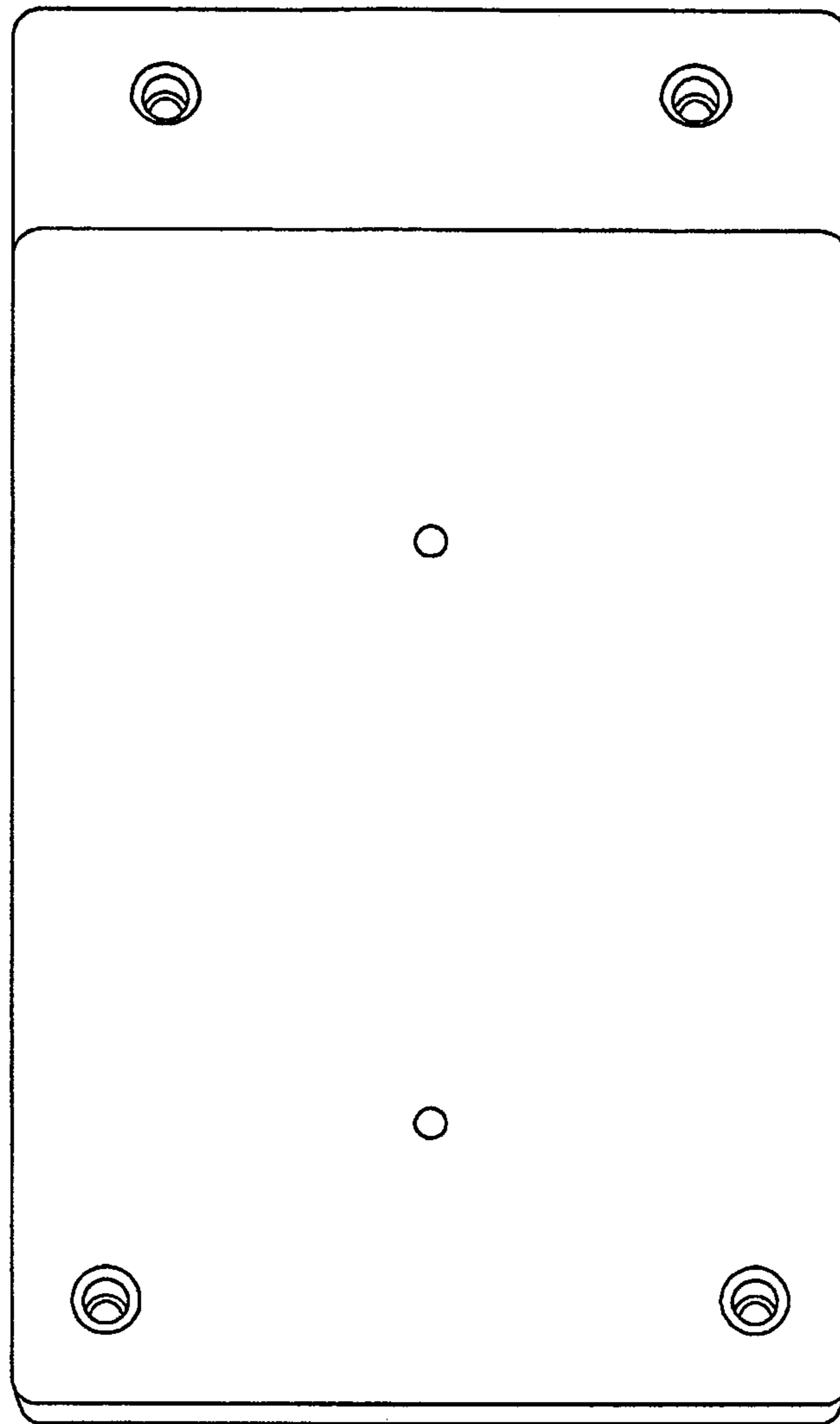


FIG. 2



**FIG. 3**

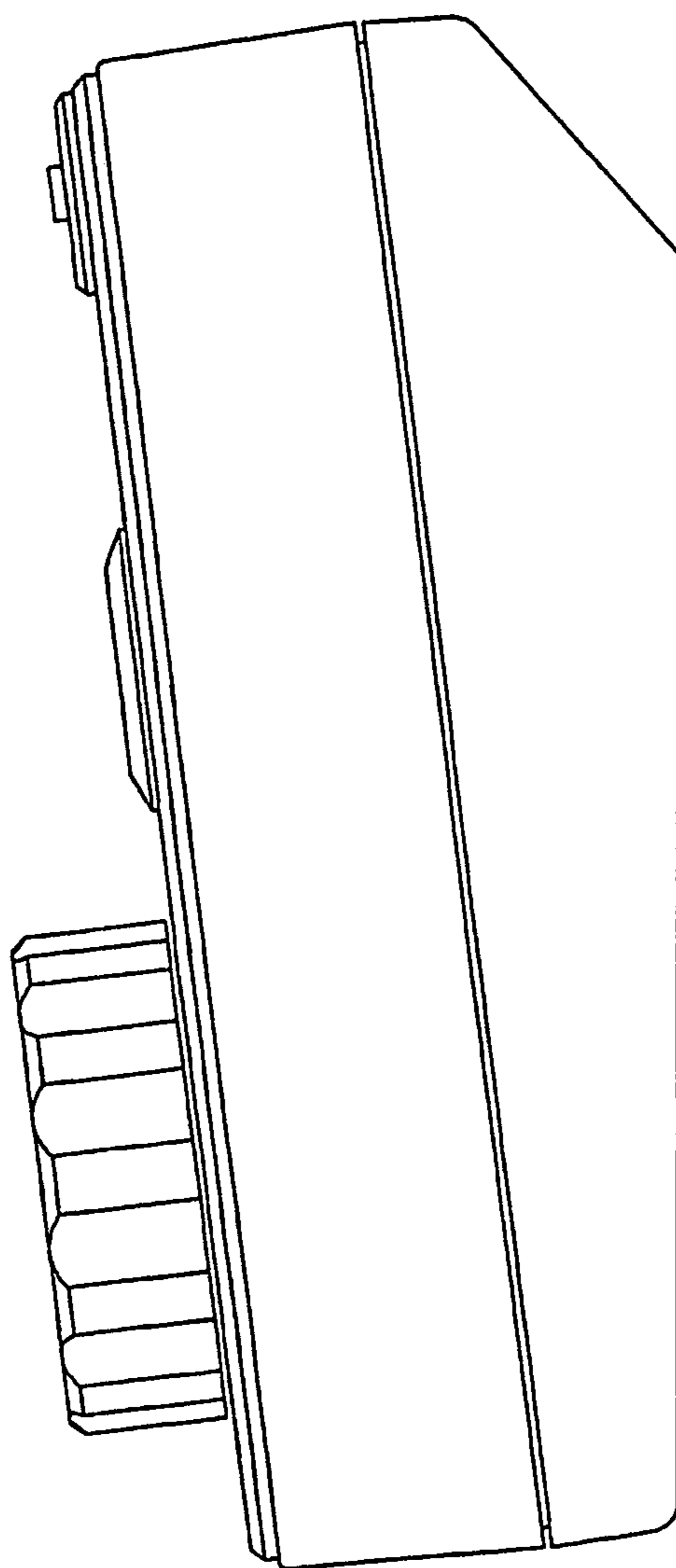


FIG. 4

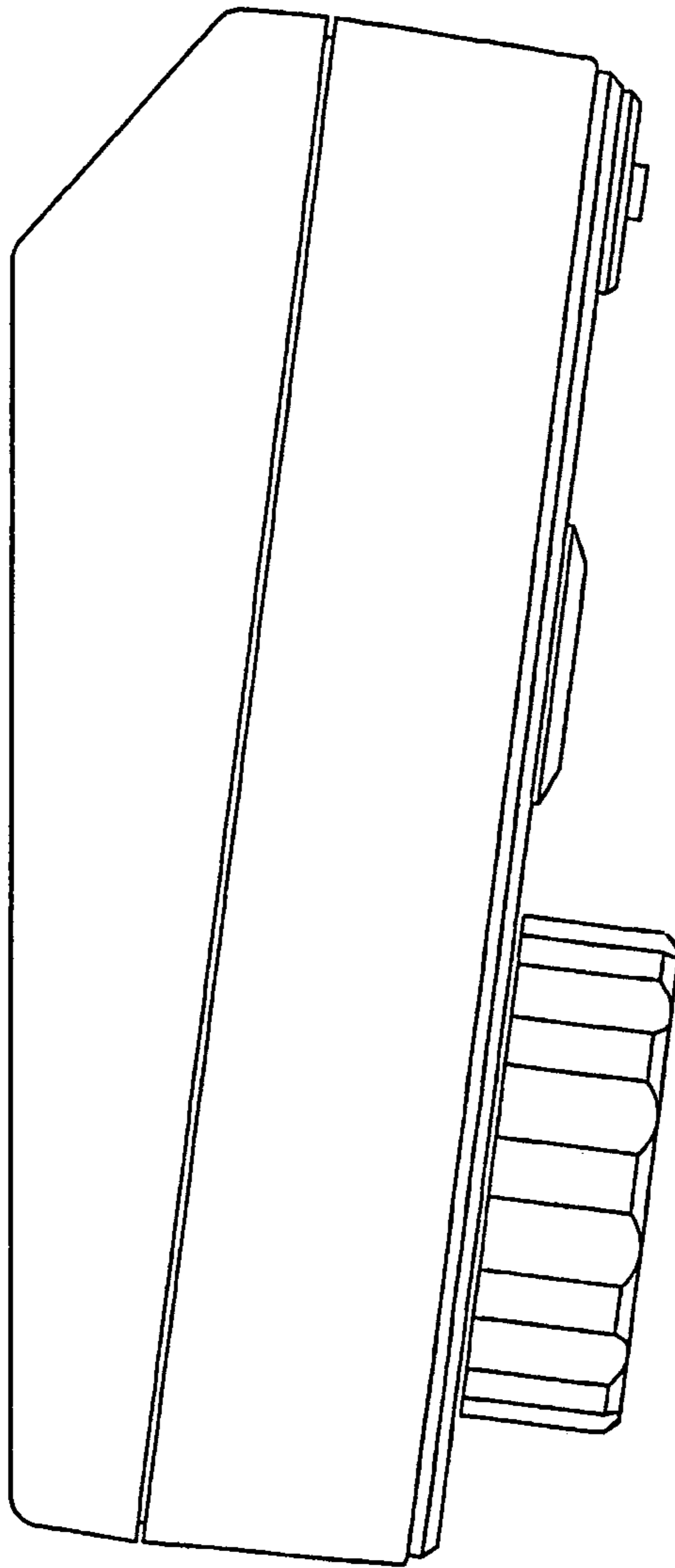


FIG. 5

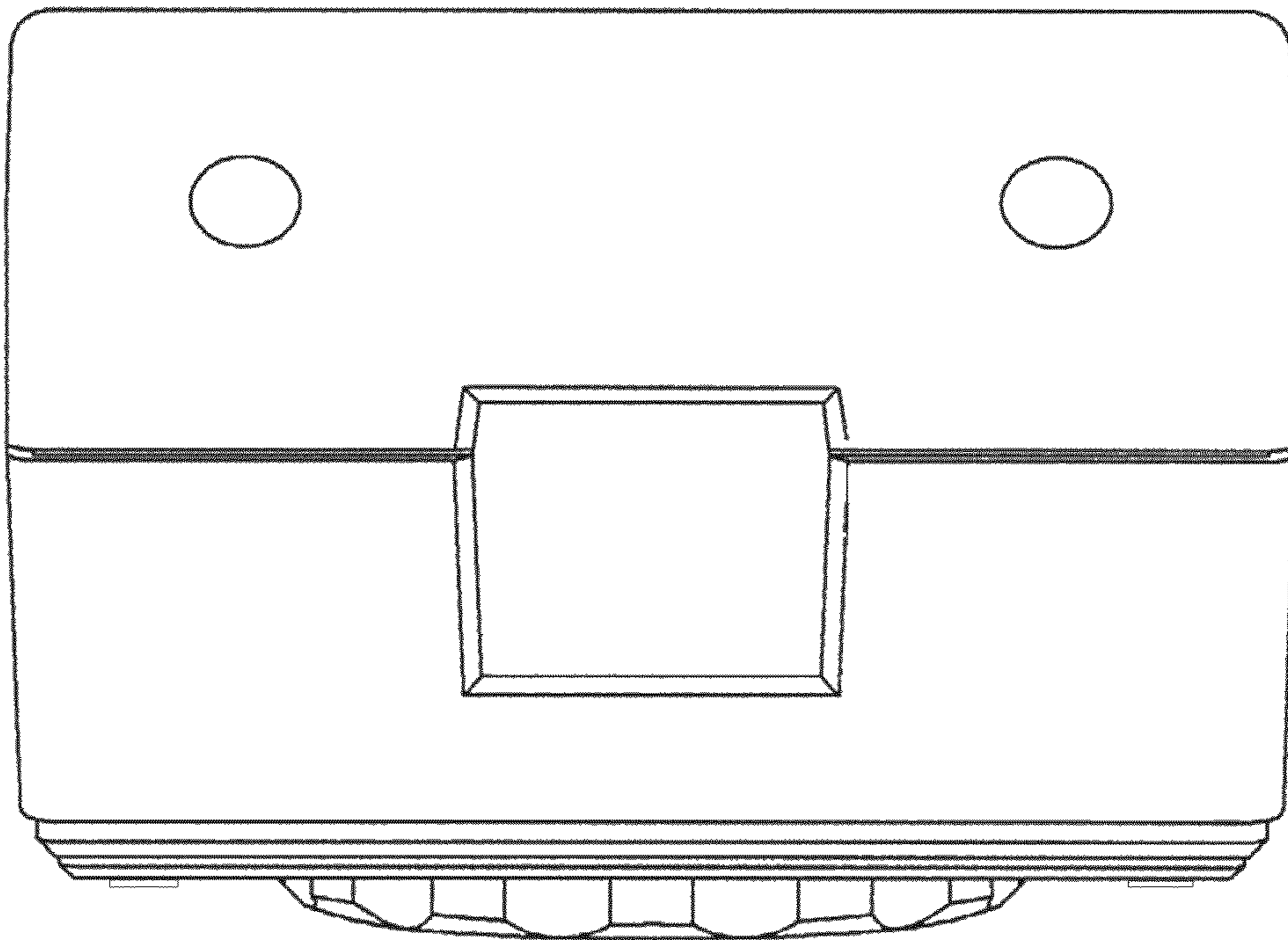


FIG. 6

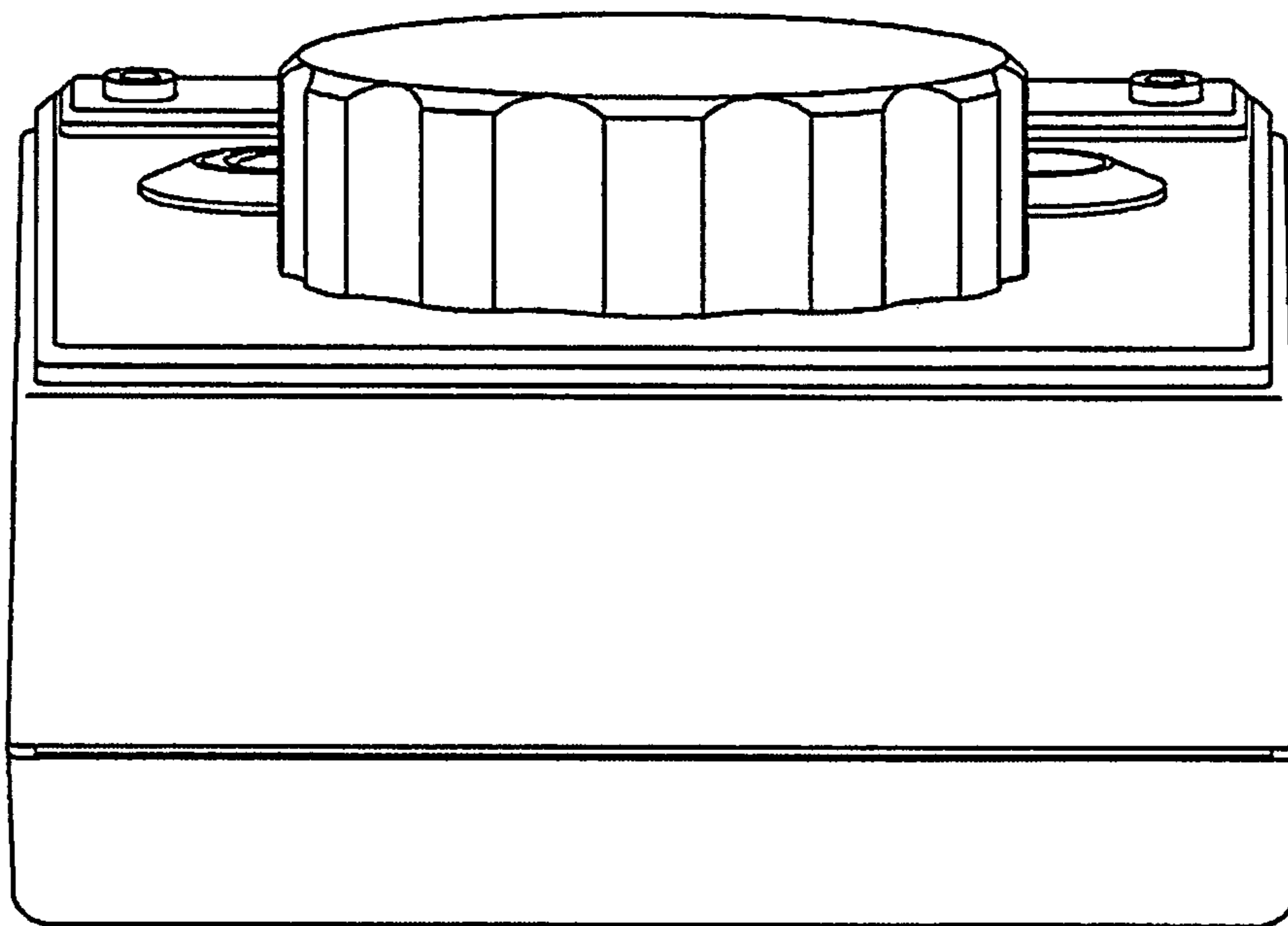


FIG. 7

