



US00D737160S

(12) **United States Design Patent**
Garner et al.

(10) **Patent No.:** **US D737,160 S**
(45) **Date of Patent:** **** Aug. 25, 2015**

(54) **DIGITAL AMMETER**

(71) Applicant: **HD Electric Company**, Waukegan, IL (US)

(72) Inventors: **Michael S. Garner**, North Barrington, IL (US); **William J. McNulty**, Washington, DC (US); **James S. Buchanan**, Northbrook, IL (US)

(73) Assignee: **HD Electric Co.**, Waukegan, IL (US)

(**) Term: **14 Years**

(21) Appl. No.: **29/484,365**

(22) Filed: **Mar. 7, 2014**

(51) **LOC (10) CL.** **10-04**

(52) **U.S. CL.**
USPC **D10/75**

(58) **Field of Classification Search**

USPC D10/75, 78
CPC G01R 1/00; G01R 1/02; G01R 1/04;
G01R 1/07; G01R 1/22; G01R 1/06772;
G01R 1/06788; G01R 13/407; G01R 15/205;
G01R 15/207; G01R 15/125; G01R 15/181;
G01R 15/186

See application file for complete search history.

(56) **References Cited**

U.S. PATENT DOCUMENTS

D696,148 S * 12/2013 Koyanagawa D10/78
2010/0207603 A1 * 8/2010 McNulty et al. 324/127

OTHER PUBLICATIONS

Operators Manual for SensorLink True RMS Ampstik Model 8-020XT, published Apr. 2009.
Operators Manual for SensorLink True RMS Ampstik Models 8-022, 8-023, and 8-024, published Apr. 2009.
Operators Manual for SensorLink True RMS Ampstik Models 8-020 and 8-021, published Jun. 2005.
Operators Manual for SensorLink Ampstik Models 8-006, 8-007, and 8-008, published Jan. 2006.
Operators Manual for SensorLink True RMS Ampstik2 Models 8-025 and 8-026, published Jun. 2005.

* cited by examiner

Primary Examiner — Antoine D Davis

(74) *Attorney, Agent, or Firm* — McDonnell Boehnen Hulbert & Berghoff LLP

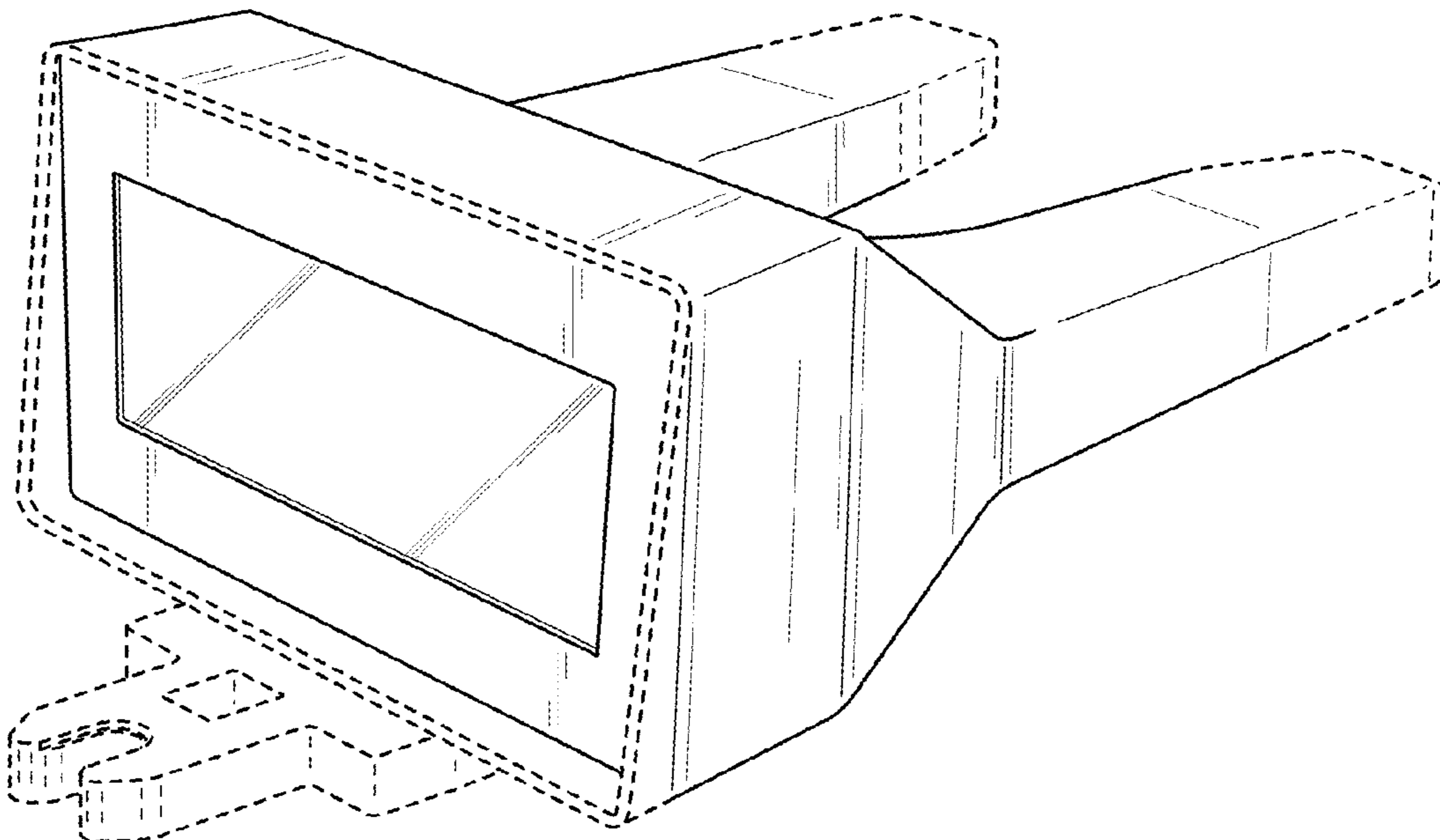
(57) **CLAIM**

The ornamental design for a digital ammeter, as shown and described.

DESCRIPTION

FIG. 1 is a perspective view of the digital ammeter of the present design;
FIG. 2 is a rear view thereof;
FIG. 3 is a front view thereof;
FIG. 4 is a right side view thereof, the left side view being a mirror image;
FIG. 5 is a top view thereof; and,
FIG. 6 is bottom view thereof.
The broken line portions of the drawings are for illustrative purposes only and form no part of the claimed design.

1 Claim, 6 Drawing Sheets



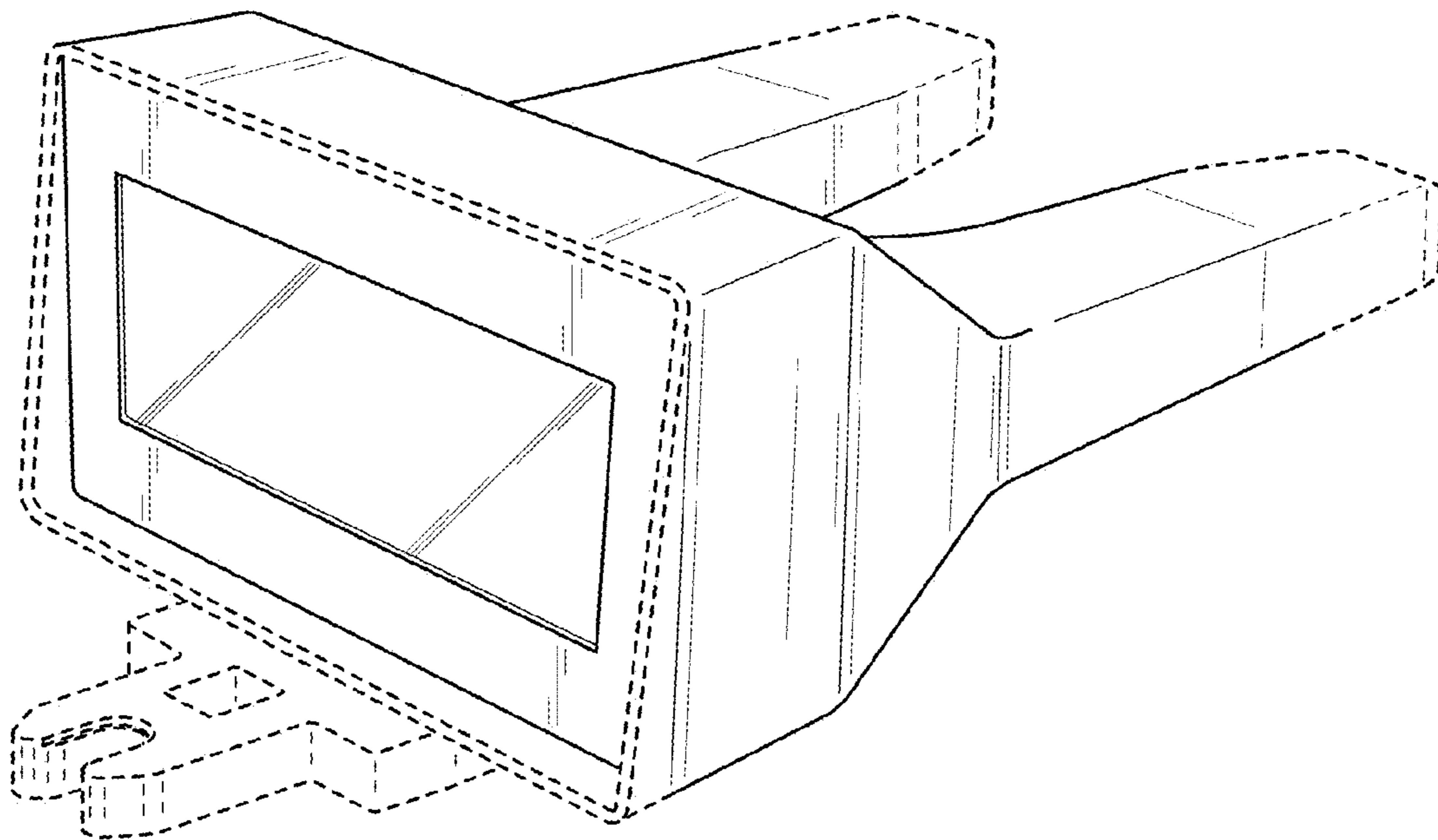


FIG. 1

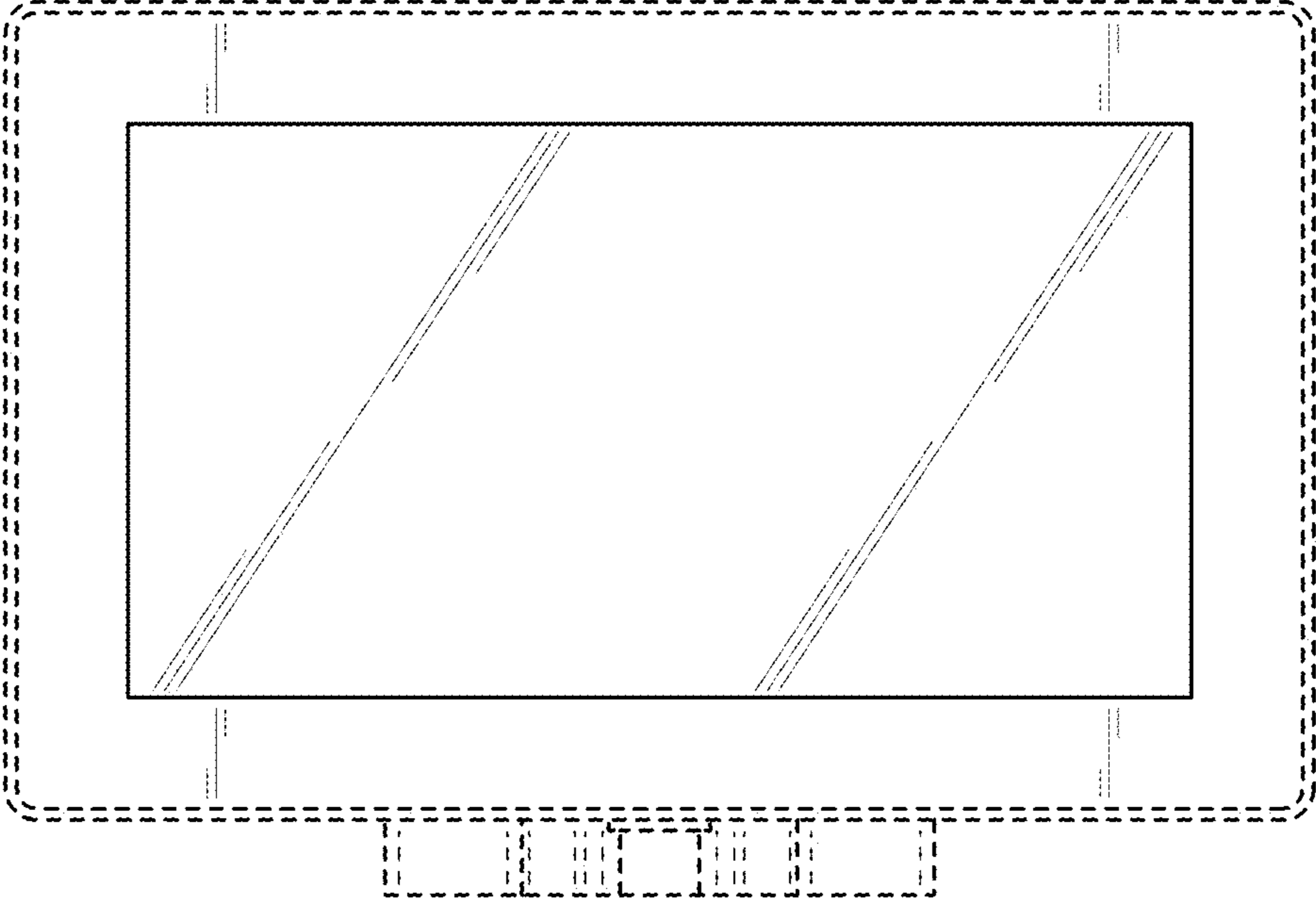


FIG. 2

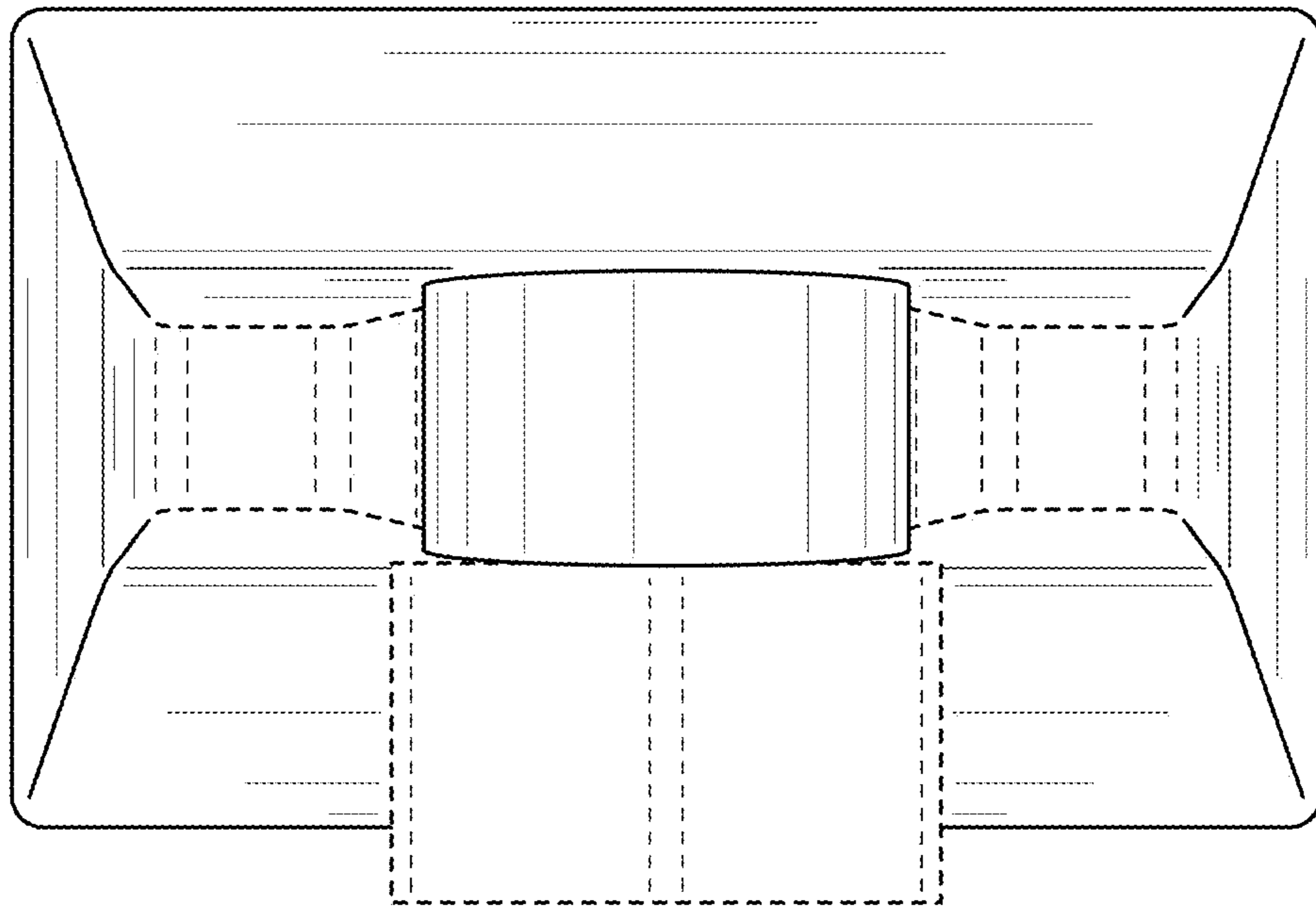


FIG. 3

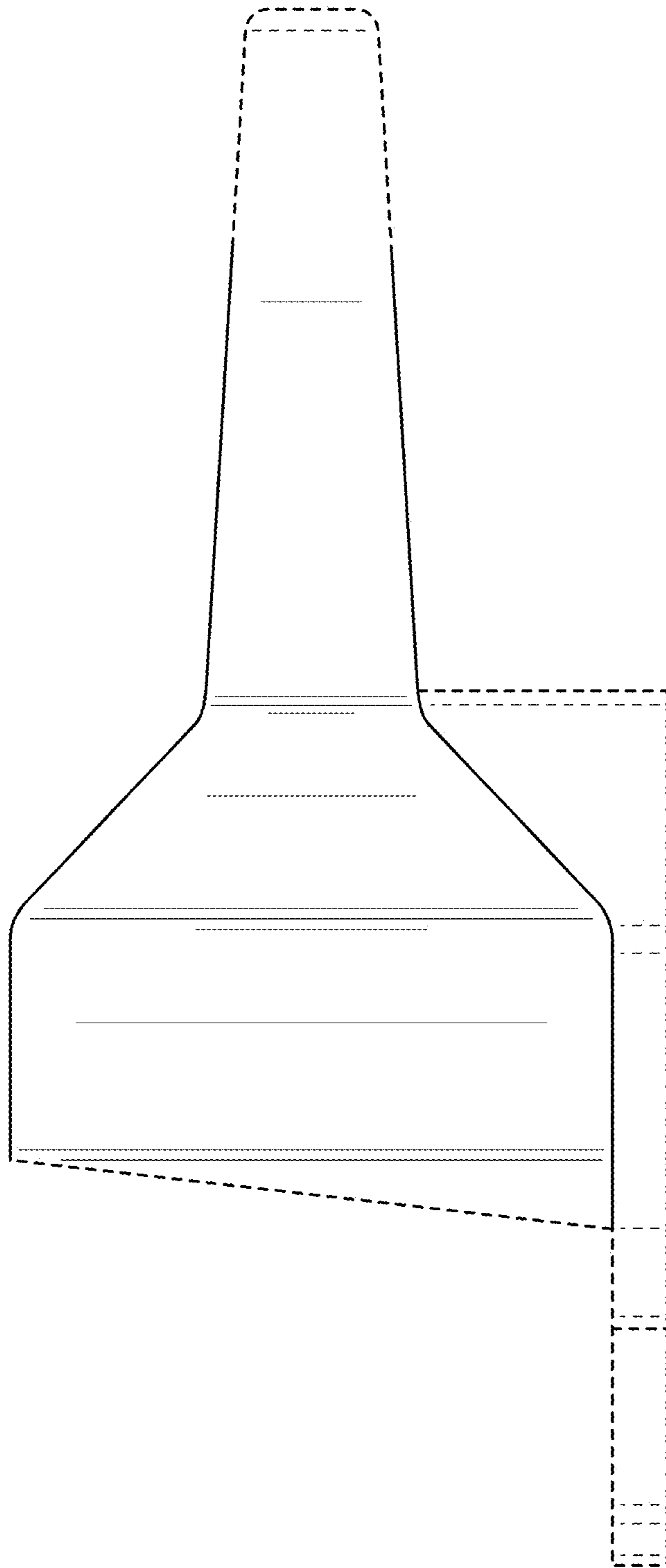


FIG. 4

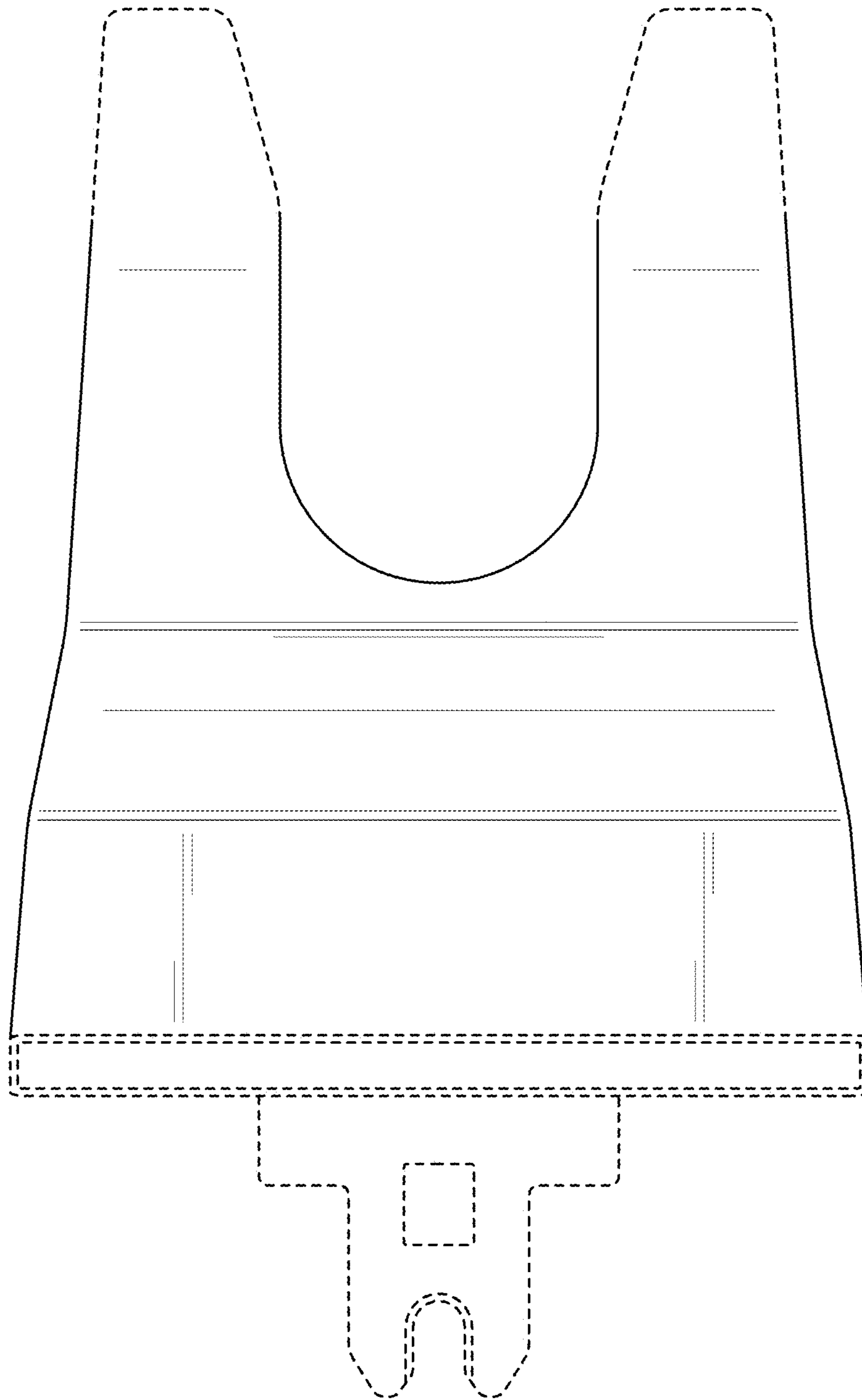


FIG. 5

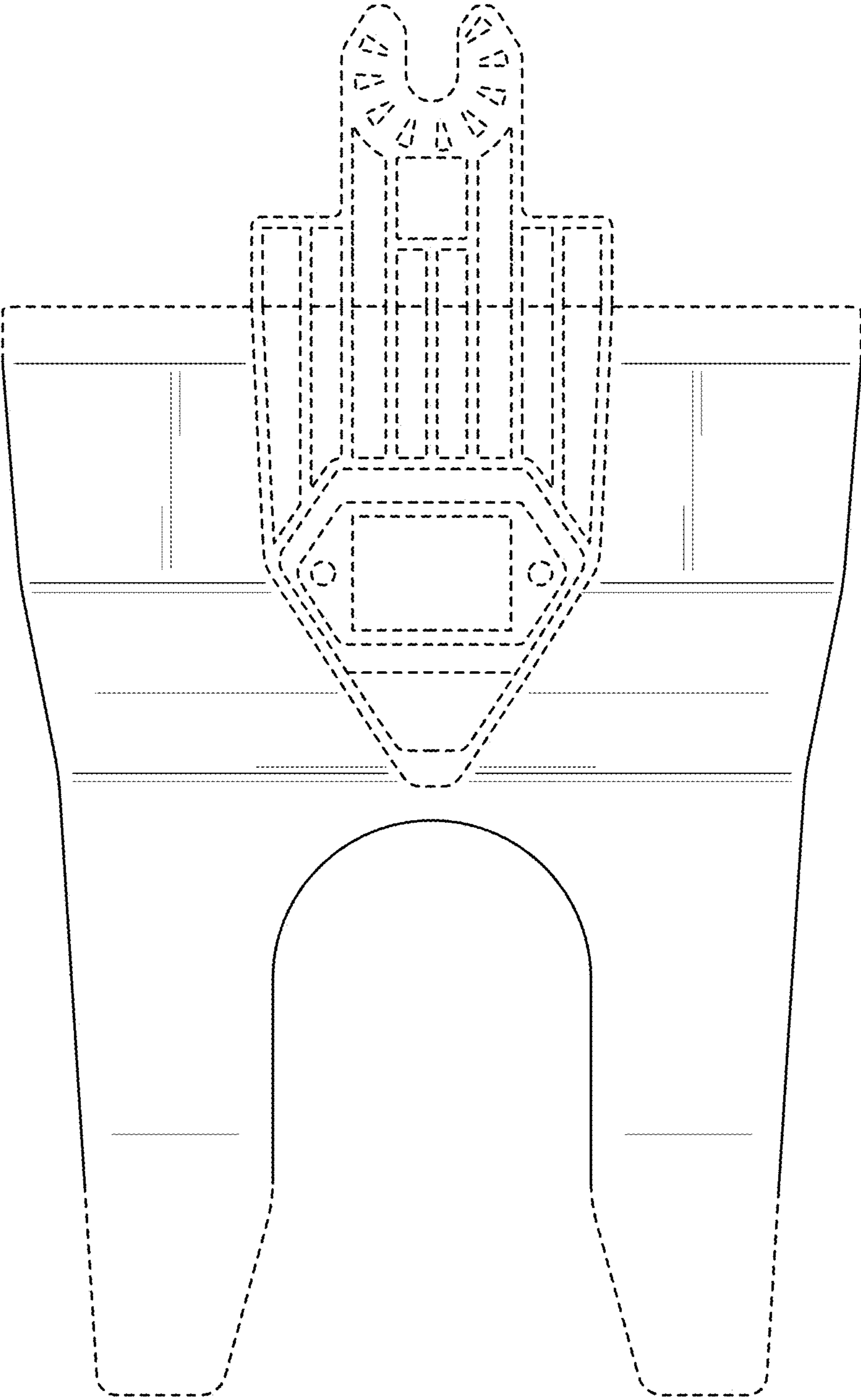


FIG. 6