



US00D737155S

(12) **United States Design Patent**
Gmyr et al.

(10) **Patent No.:** **US D737,155 S**
(45) **Date of Patent:** **** Aug. 25, 2015**

(54) **TOUCH PANEL WALL THERMOSTAT**

11/001; F24F 2011/0057; F24F 2011/0073;
F24F 2011/0091

(71) Applicants: **Hollis J. Gmyr**, Liverpool, NY (US);
James H. Ritchie, Pennellville, NY
(US); **Eric Christopher Wood**, East
Syracuse, NY (US); **Weidong Pan**,
Morganville, NJ (US); **Andrew S.**
Kadah, Manlius, NY (US)

See application file for complete search history.

(72) Inventors: **Hollis J. Gmyr**, Liverpool, NY (US);
James H. Ritchie, Pennellville, NY
(US); **Eric Christopher Wood**, East
Syracuse, NY (US); **Weidong Pan**,
Morganville, NJ (US); **Andrew S.**
Kadah, Manlius, NY (US)

(56) **References Cited**

U.S. PATENT DOCUMENTS

7,867,646	B2 *	1/2011	Rhodes	429/100
D648,642	S *	11/2011	Wallaert et al.	D10/50
D649,073	S *	11/2011	Baskinger et al.	D10/60
D699,130	S *	2/2014	Rhodes et al.	D10/50
8,644,009	B2 *	2/2014	Rylski et al.	361/679.01
D705,093	S *	5/2014	Edgar	D10/50
D719,854	S *	12/2014	Edgar	D10/50
D719,855	S *	12/2014	Edgar	D10/50
8,922,493	B2 *	12/2014	Kim	345/169

* cited by examiner

Primary Examiner — Antoine D Davis

(73) Assignee: **International Controls and
Measurements Corp.**, North Syracuse,
NY (US)

(74) *Attorney, Agent, or Firm* — Bernhard P. Mollrem, Jr.

(**) Term: **14 Years**

(57) **CLAIM**

The ornamental design for a touch panel wall thermostat, as shown and described.

(21) Appl. No.: **29/510,587**

DESCRIPTION

(22) Filed: **Dec. 1, 2014**

(51) **LOC (10) Cl.** **10-04**

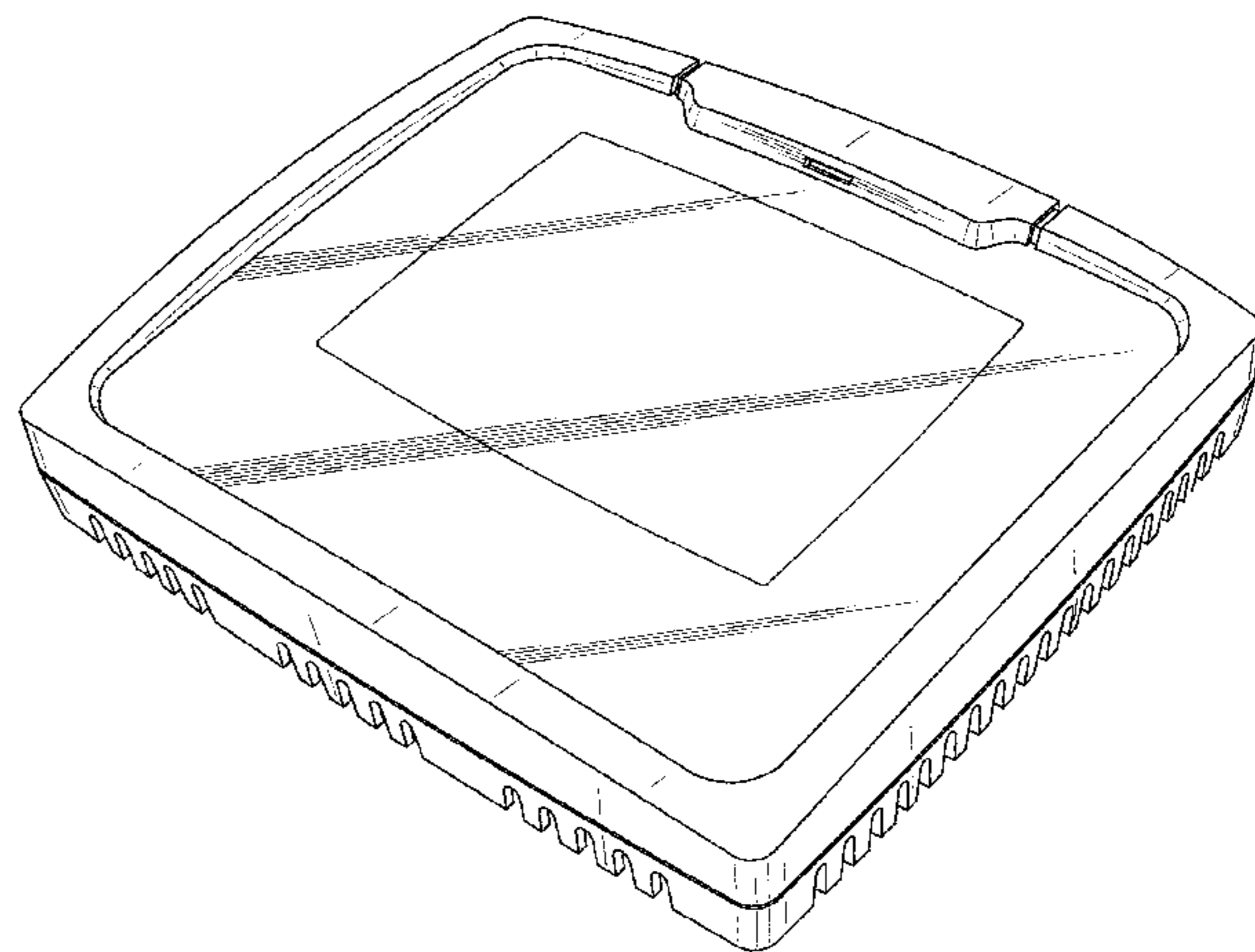
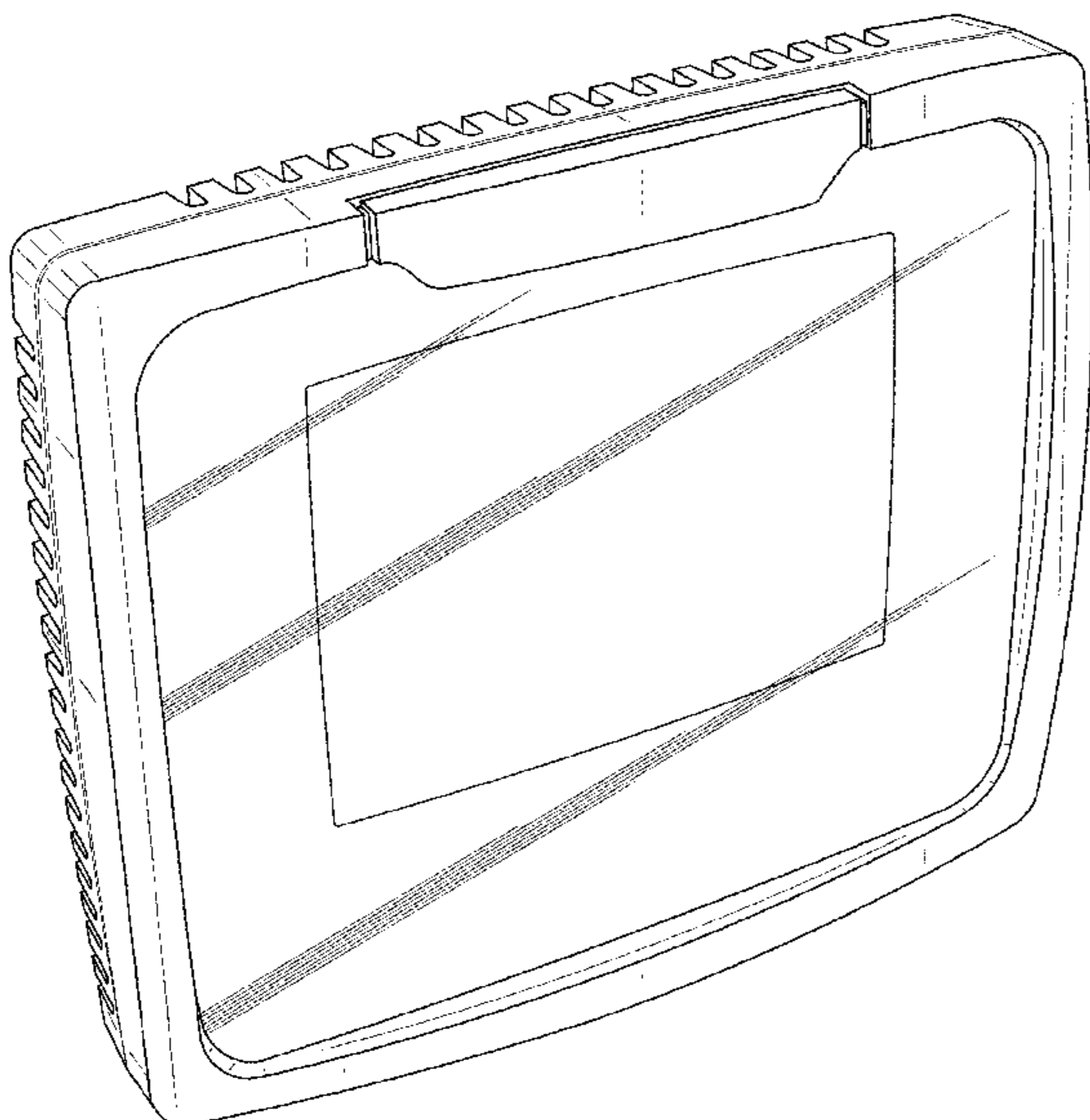
(52) **U.S. Cl.**
USPC **D10/50**

(58) **Field of Classification Search**
USPC D10/49-50; D9/414, 432, 433;
D13/162, 168; D14/126, 336, 371,
D14/374, 389

CPC F23N 5/20; F23N 5/203; F23N 5/206;
F23N 5/18; F23N 5/184; F23N 5/187; F23N
5/22; F23N 2025/12; F23N 2041/02; F24F
11/00; F24F 11/0012; F24F 11/0009; F24F

FIG. 1 is a perspective view from above and left of a wall thermostat embodying my new design.
FIG. 2 is a perspective view thereof from below and right.
FIG. 3 is a front elevation thereof.
FIG. 4 is a top plan view thereof.
FIG. 5 is a bottom plan view thereof.
FIG. 6 is a right side elevational view thereof.
FIG. 7 is a left side elevational view thereof; and,
FIG. 8 is a back elevational view thereof. The central area of the back enclosed in broken line does not form part of my design.

1 Claim, 6 Drawing Sheets



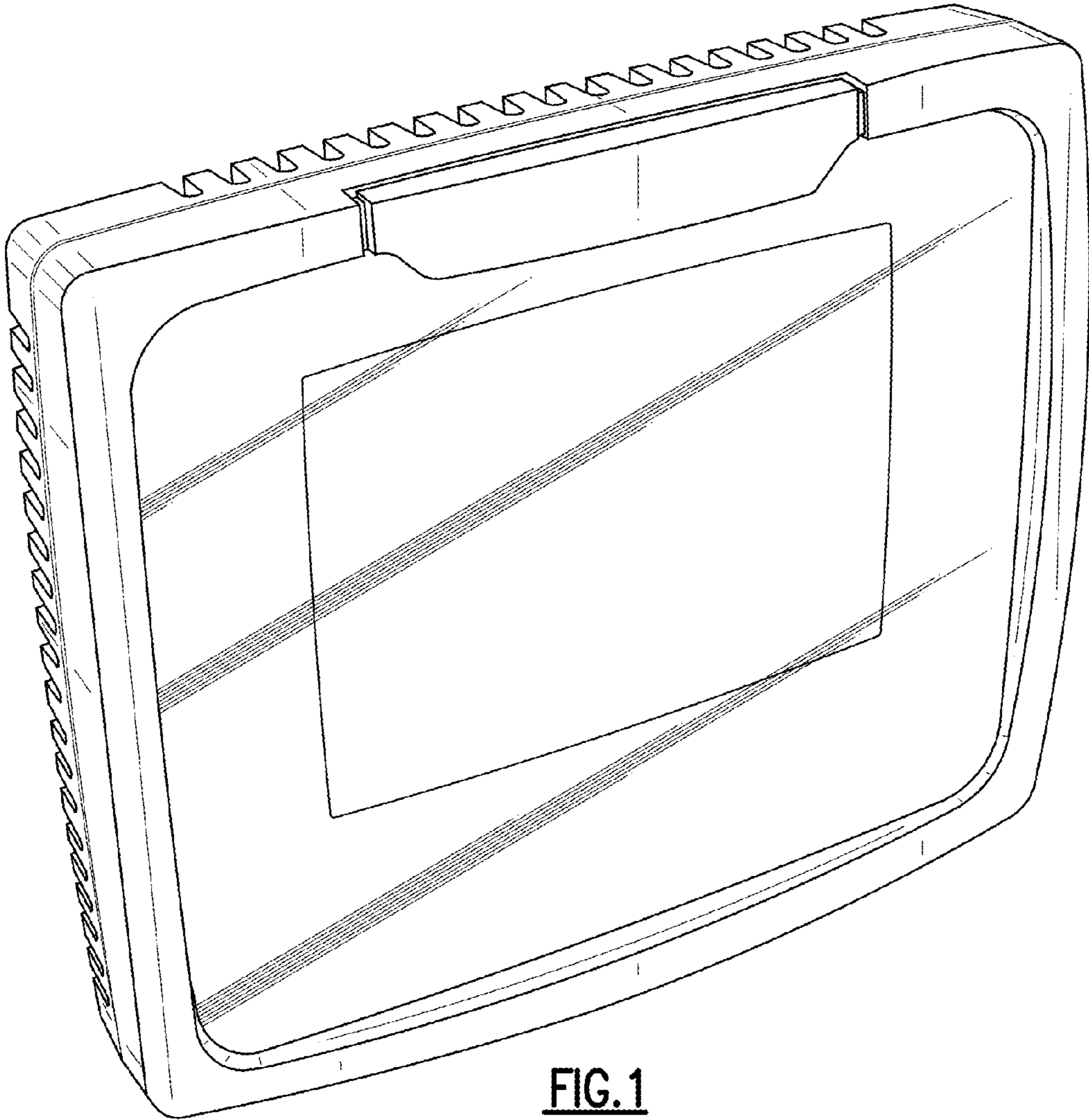


FIG.1

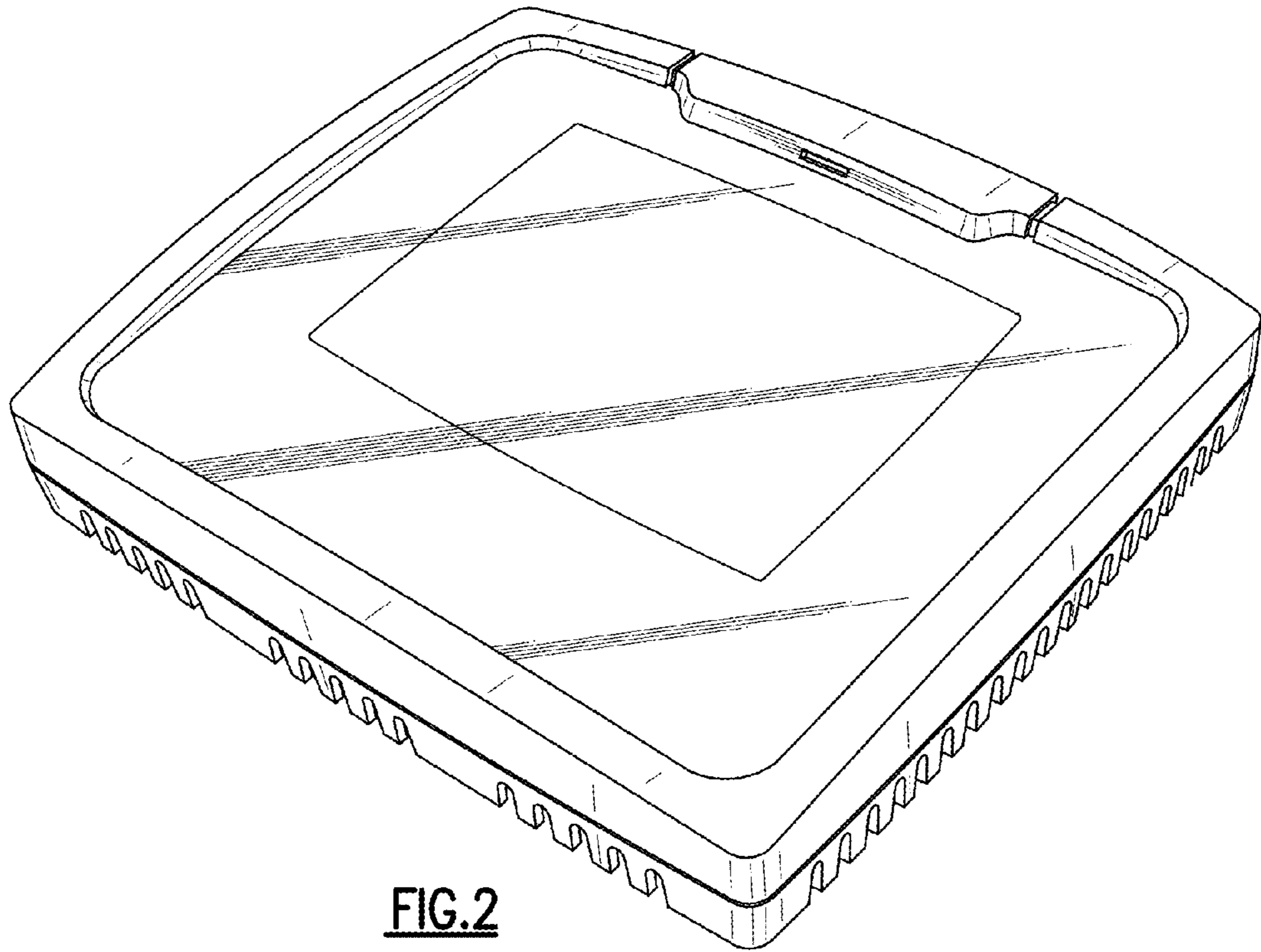


FIG. 2

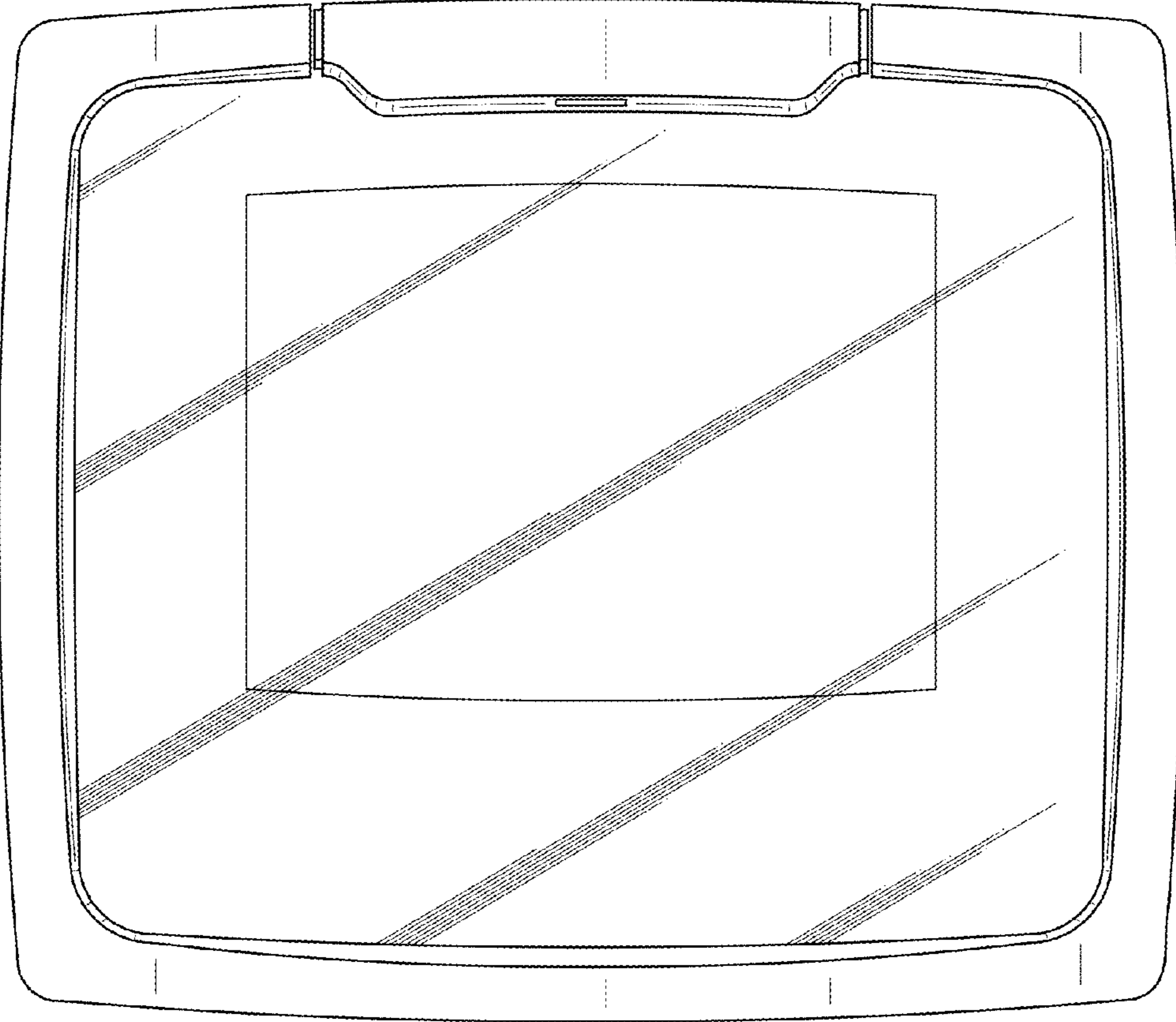


FIG.3

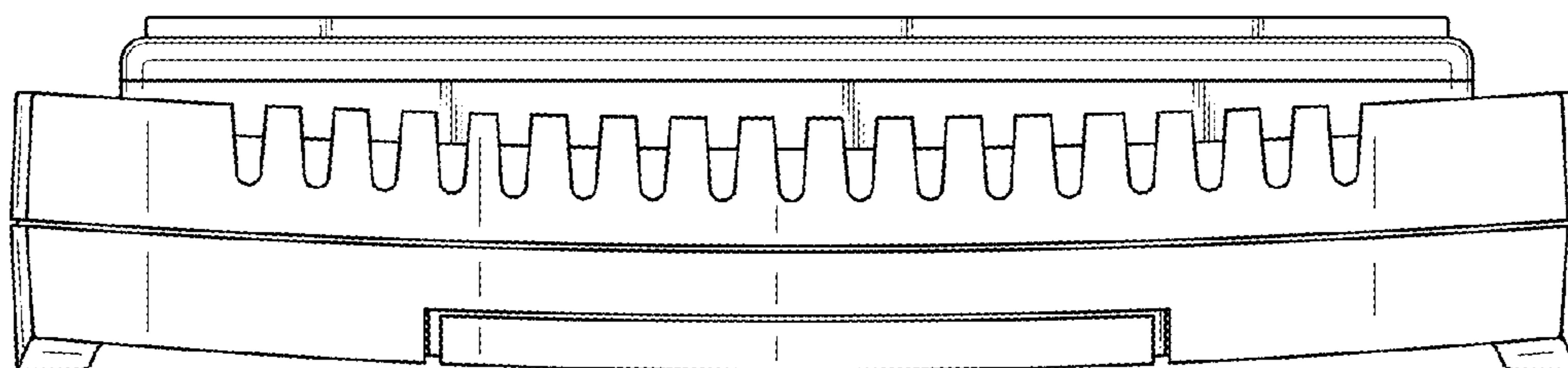


FIG. 4

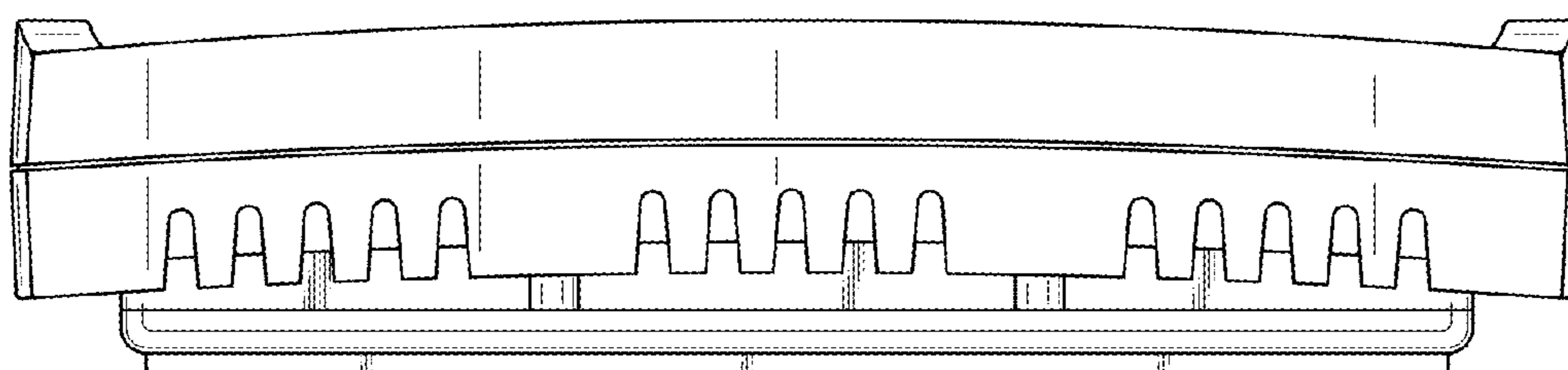


FIG. 5

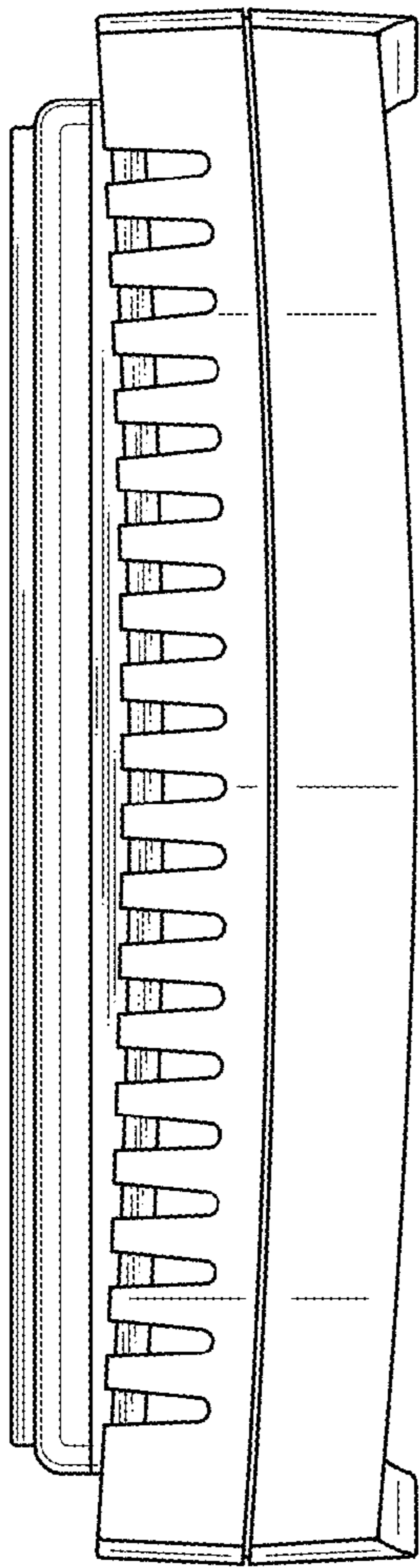


FIG. 6

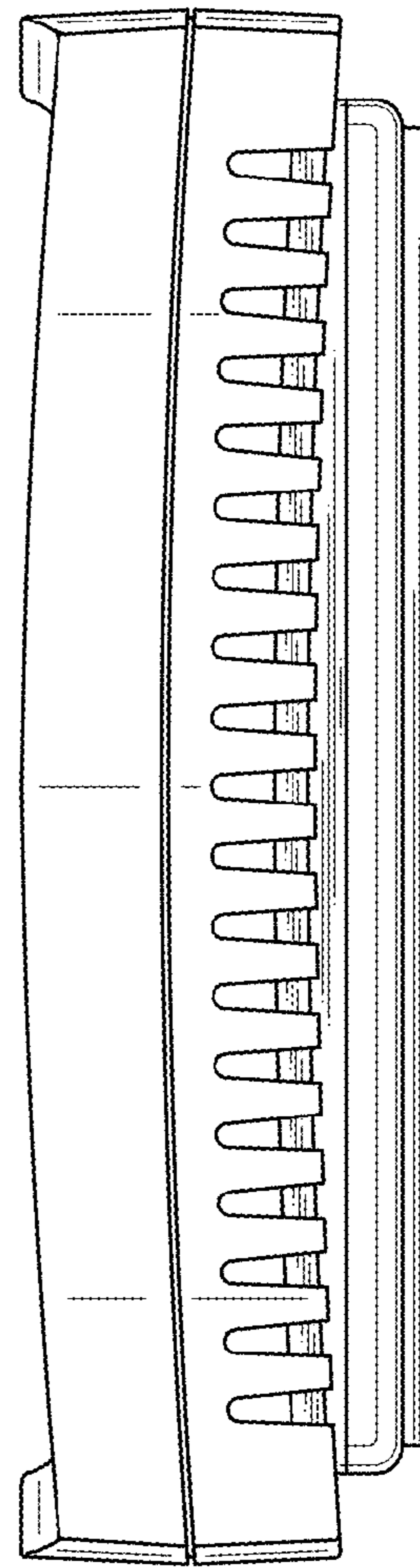


FIG. 7

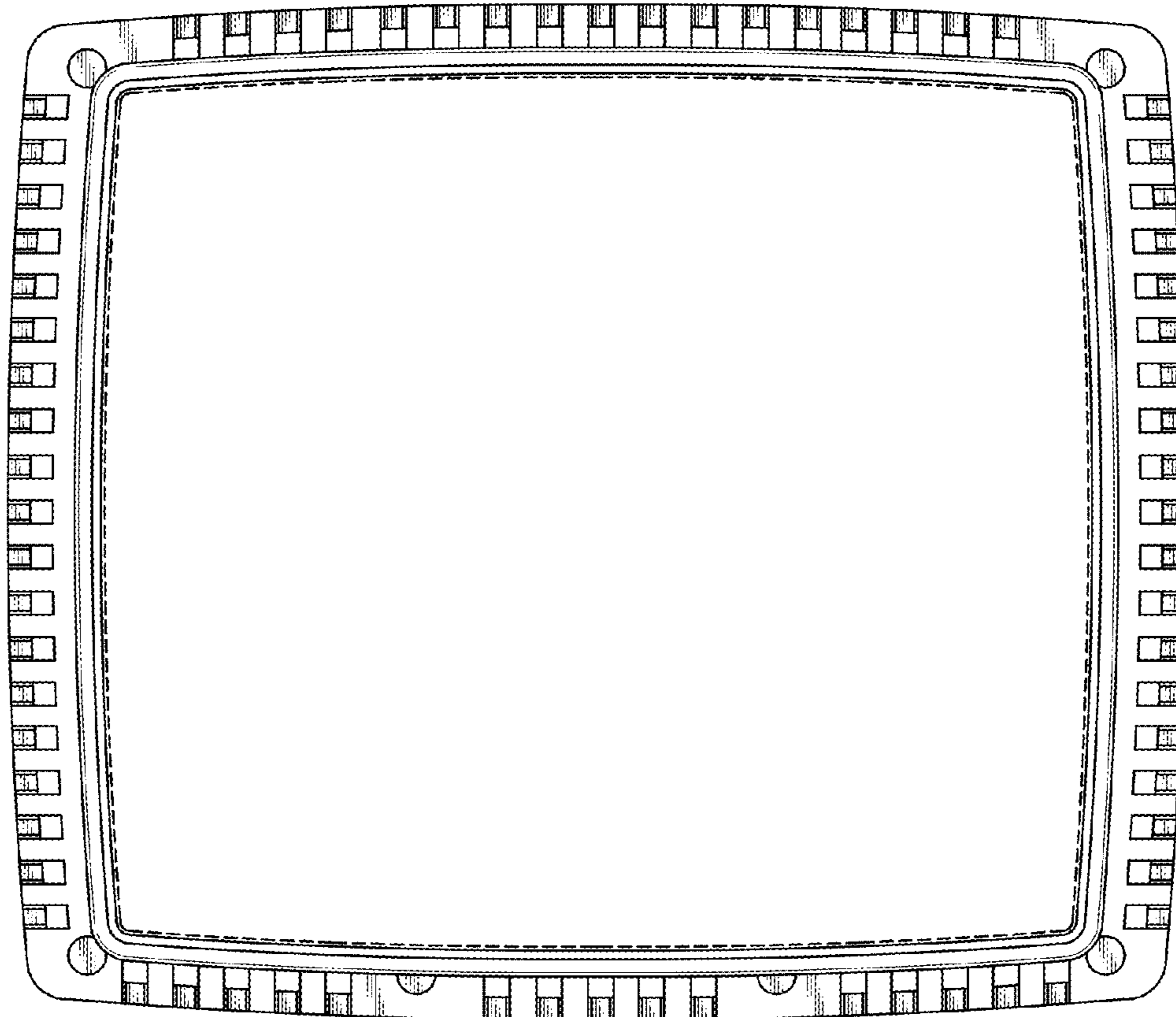


FIG.8