



US00D737152S

(12) **United States Design Patent**
Chang et al.

(10) **Patent No.:** **US D737,152 S**

(45) **Date of Patent:** **** Aug. 25, 2015**

(54) **IMAGE MEASURING DEVICE**

(71) Applicant: **HON HAI PRECISION INDUSTRY CO., LTD.**, New Taipei (TW)

(72) Inventors: **Chih-Kuang Chang**, New Taipei (TW); **Zhong-Kui Yuan**, Shenzhen (CN); **Jun-Hua Li**, Shenzhen (CN); **Yu Jin**, Shenzhen (CN); **Hui Zhang**, Shenzhen (CN)

(73) Assignee: **HON HAI PRECISION INDUSTRY CO., LTD.**, New Taipei (TW)

(**) Term: **14 Years**

(21) Appl. No.: **29/479,739**

(22) Filed: **Jan. 19, 2014**

(30) **Foreign Application Priority Data**

Dec. 9, 2013 (CN) 2013 3 06088991

(51) **LOC (10) Cl.** **10-04**

(52) **U.S. Cl.**
USPC **D10/46; D14/240**

(58) **Field of Classification Search**
USPC D10/46; D14/420–425, 432, 356;
D16/130–131, 222; 356/602, 614
CPC G01B 11/14
See application file for complete search history.

(56) **References Cited**

U.S. PATENT DOCUMENTS

D328,594 S * 8/1992 Kobayashi D14/424
D418,118 S * 12/1999 Habeshaw et al. D14/336
7,038,189 B2 * 5/2006 Kawai 250/222.2
D530,631 S * 10/2006 Tsuruta et al. D10/46

D531,525 S * 11/2006 Dold et al. D10/46
D532,785 S * 11/2006 Lo et al. D14/363
7,490,413 B2 * 2/2009 Liu et al. 33/552
7,599,073 B2 * 10/2009 Yoshiki 356/614
D612,751 S * 3/2010 Bach et al. D10/46
D659,030 S * 5/2012 Anselment et al. D10/46
8,303,125 B2 * 11/2012 Chang et al. 362/6
D690,341 S * 9/2013 Tsuda et al. D16/131
D719,039 S * 12/2014 Chang et al. D10/63
D719,954 S * 12/2014 Sun et al. D14/423
D720,999 S * 1/2015 Chang et al. D10/63
2004/0188598 A1 * 9/2004 Kawai 250/222.2
2005/0009239 A1 * 1/2005 Wolff et al. 438/123
2005/0127377 A1 * 6/2005 Arndt et al. 257/81
2005/0174581 A1 * 8/2005 Liu 356/602
2008/0084589 A1 * 4/2008 Malzbender 358/493
2008/0130077 A1 * 6/2008 Park et al. 359/202

* cited by examiner

Primary Examiner — Paula Greene

(74) *Attorney, Agent, or Firm* — Novak Druce Connolly Bove + Quigg LLP

(57) **CLAIM**

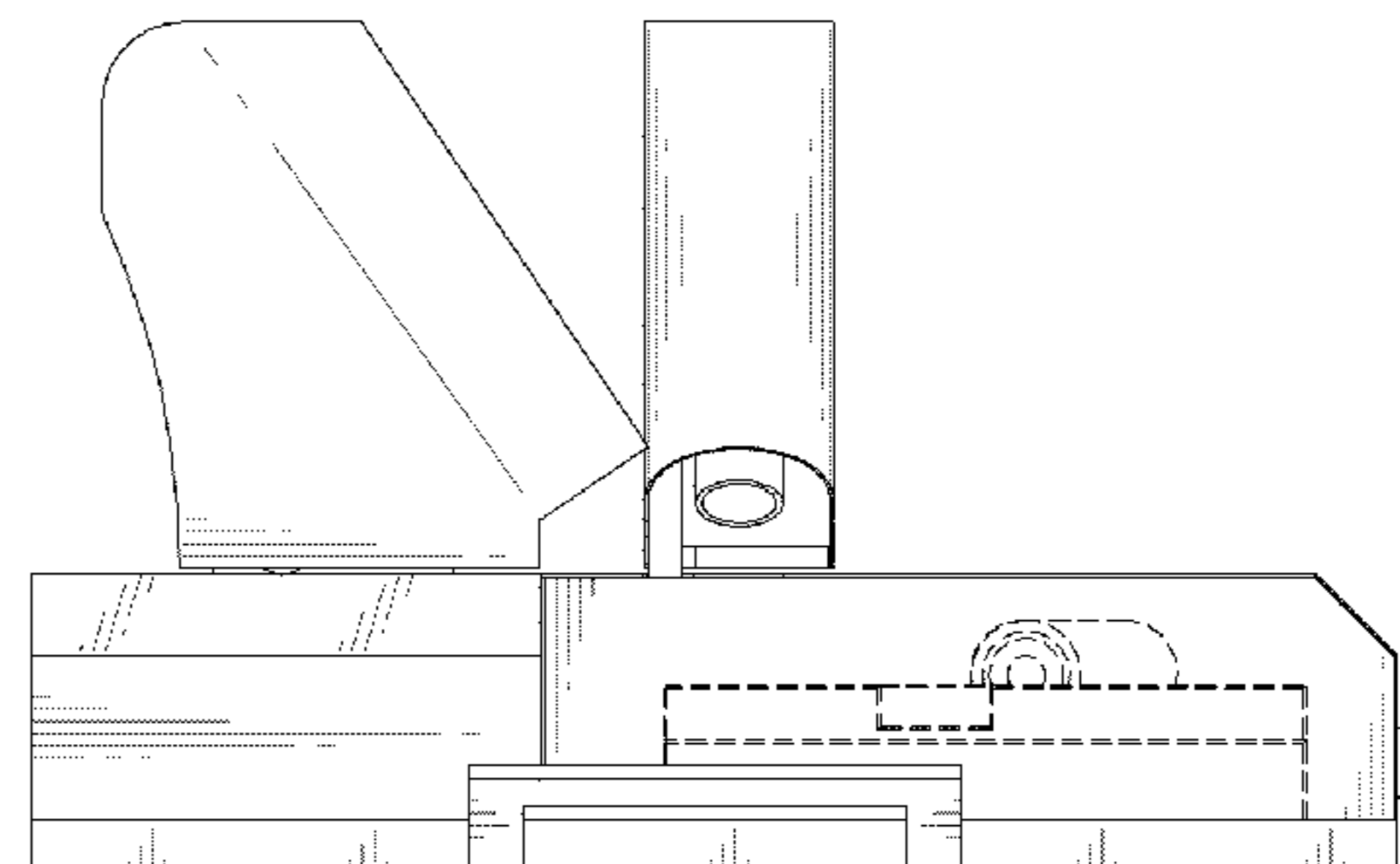
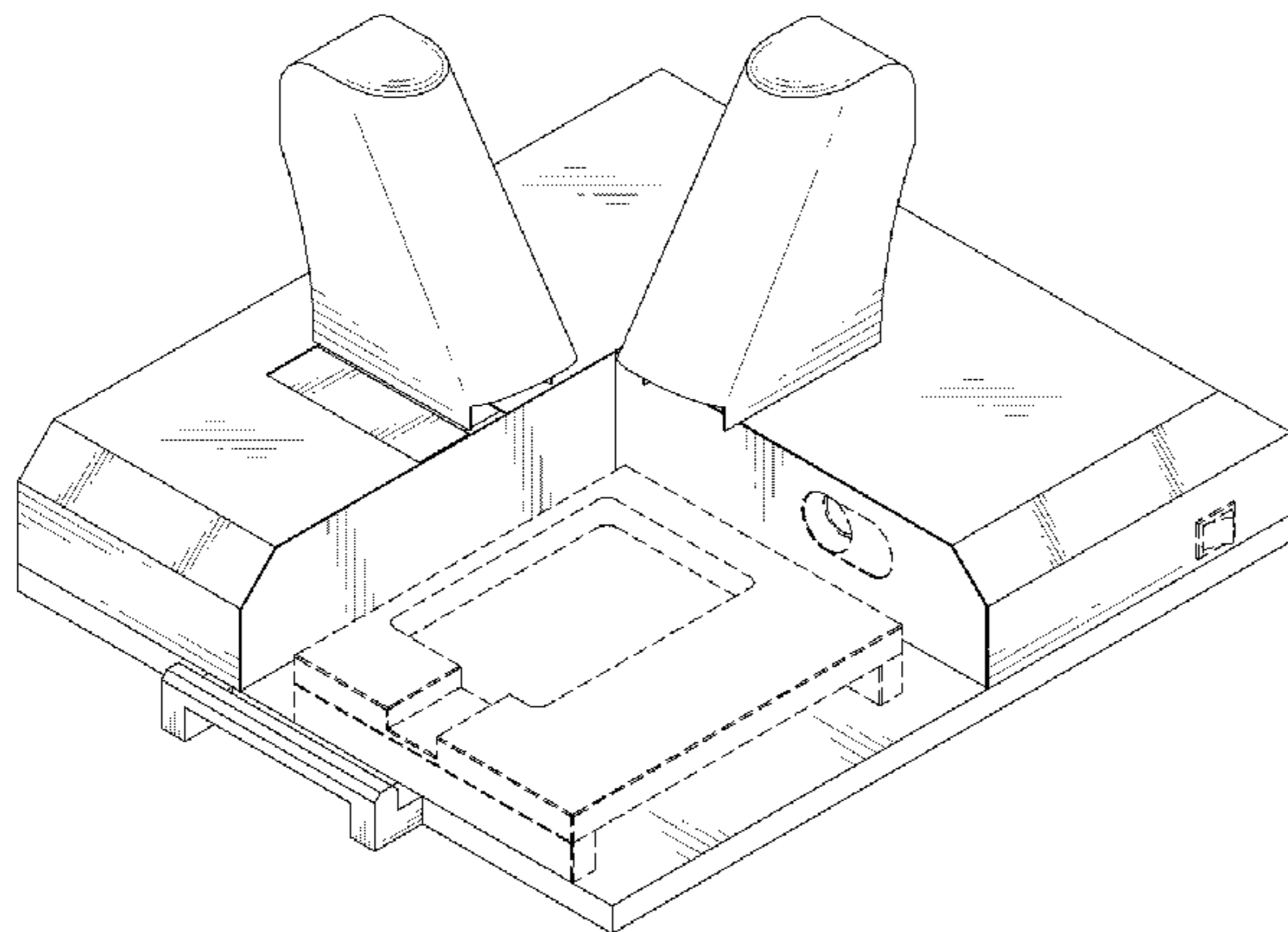
The ornamental design for an image measuring device, as shown and described.

DESCRIPTION

FIG. 1 is a perspective view of an image measuring device showing our new design;
FIG. 2 is a front elevational view thereof;
FIG. 3 is a rear elevational view thereof;
FIG. 4 is a left side elevational view thereof;
FIG. 5 is a right side elevational view thereof;
FIG. 6 is a top plan view thereof; and,
FIG. 7 is a bottom plan view thereof.

The broken lines are for illustrative purposes only and form no part of the claimed design.

1 Claim, 7 Drawing Sheets



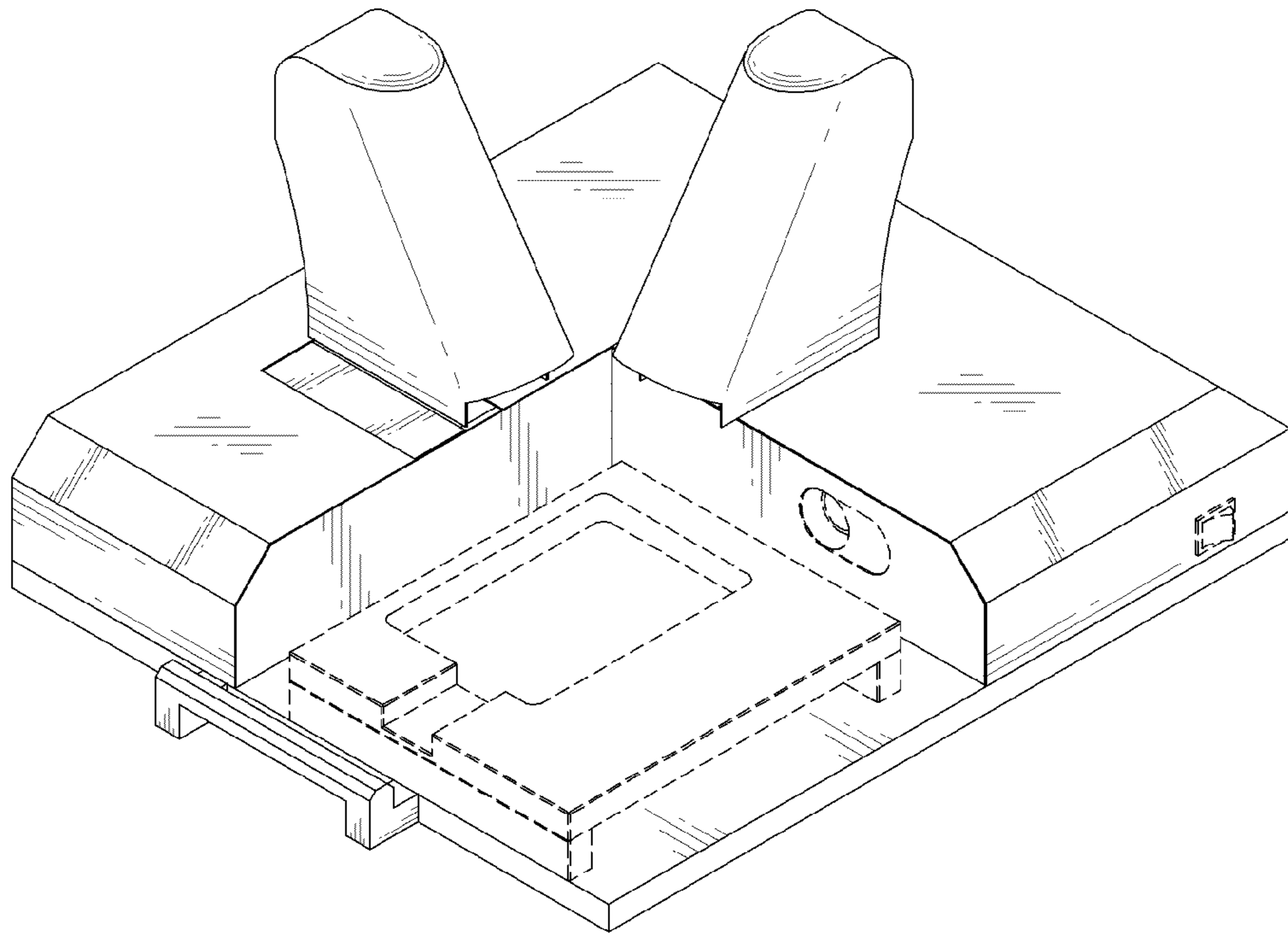


FIG. 1

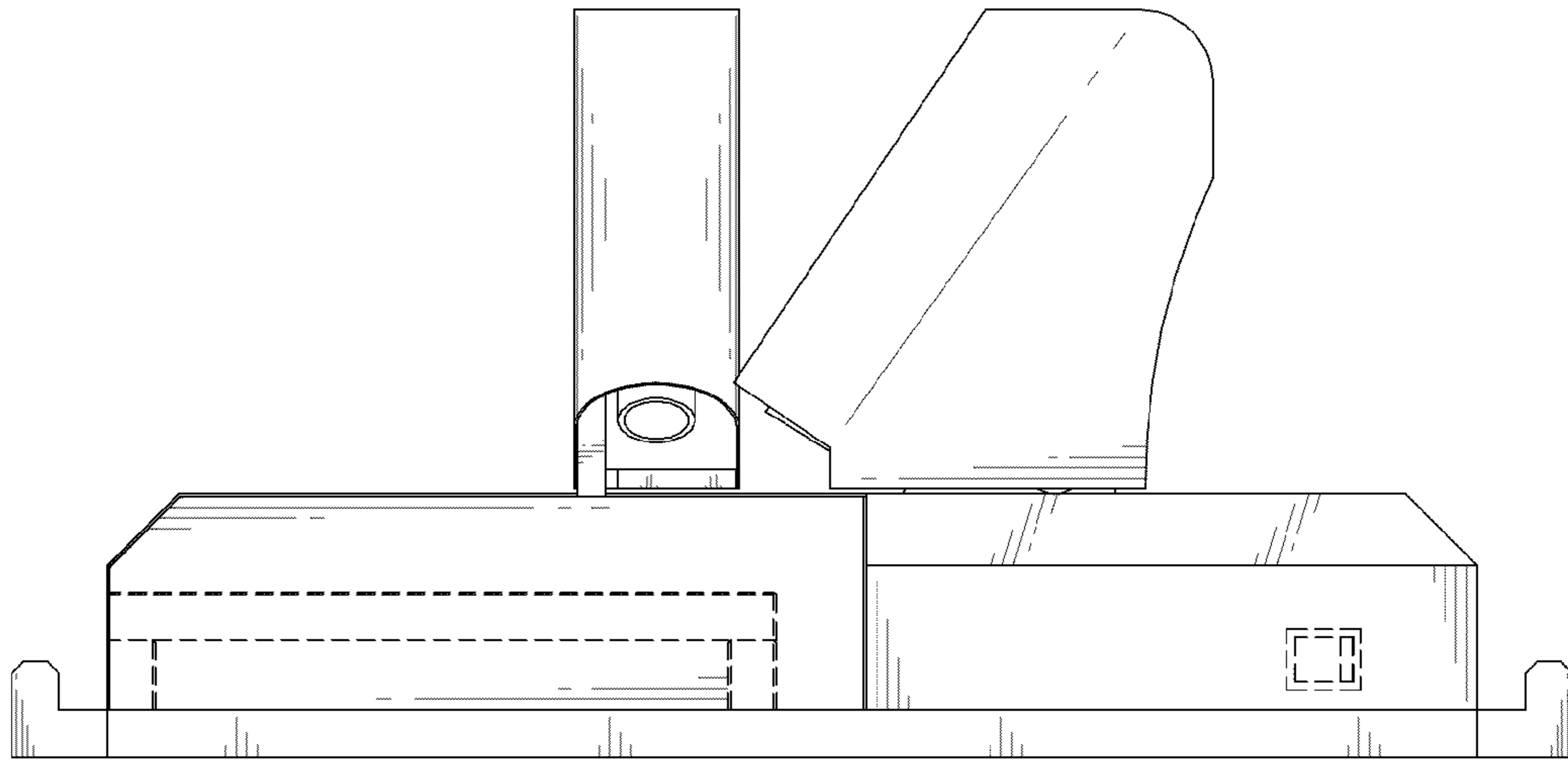


FIG. 2

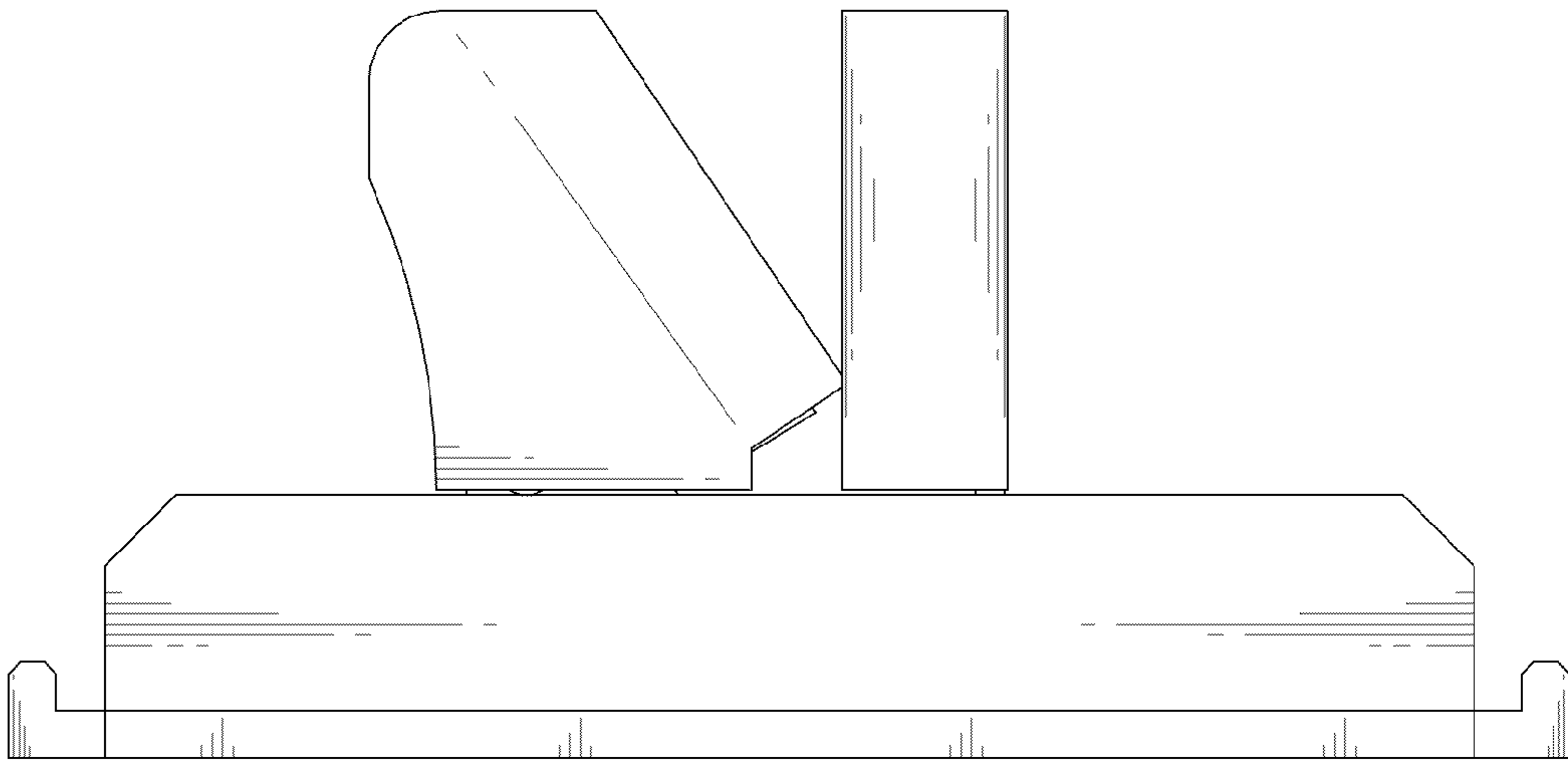


FIG. 3

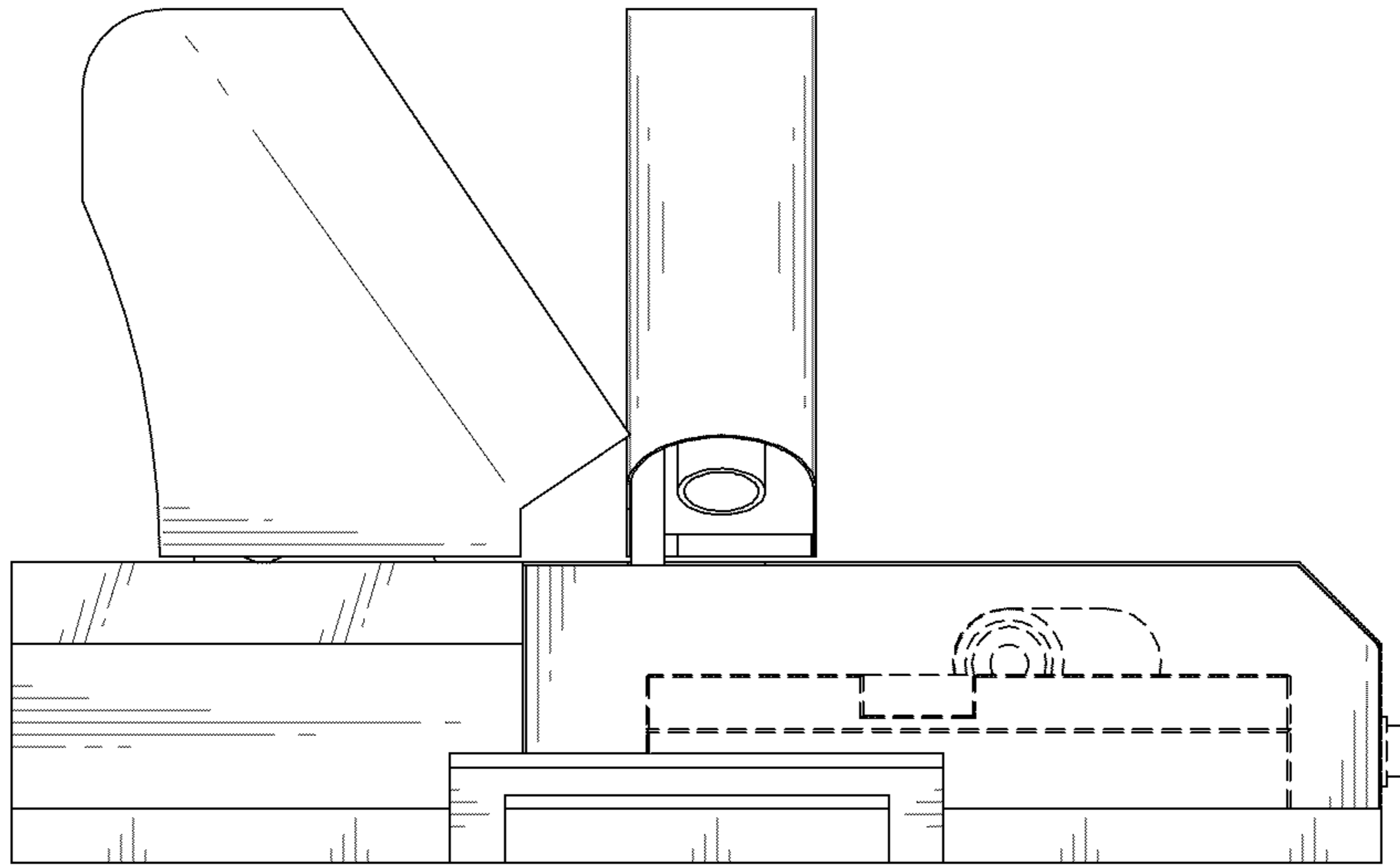


FIG. 4

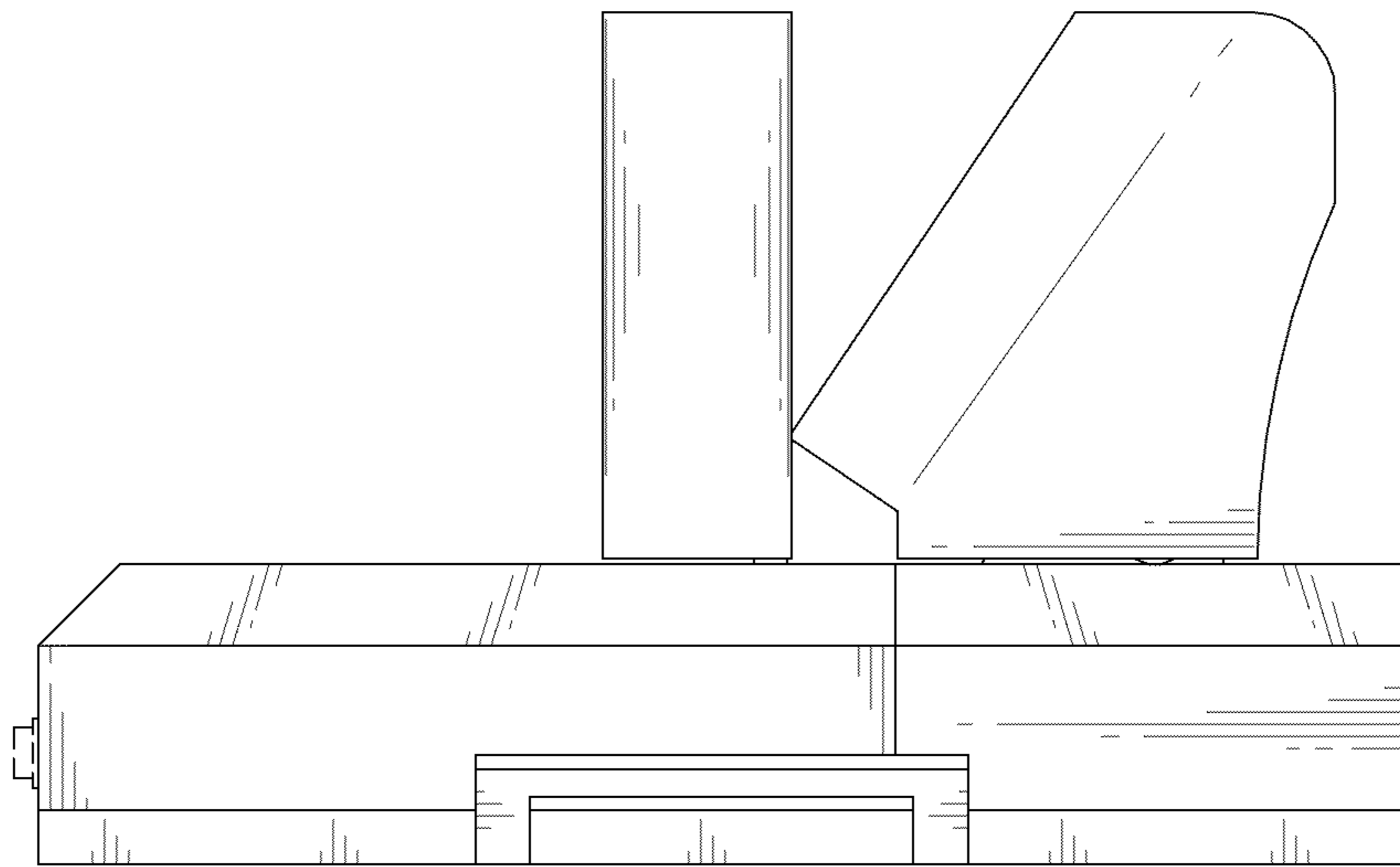


FIG. 5

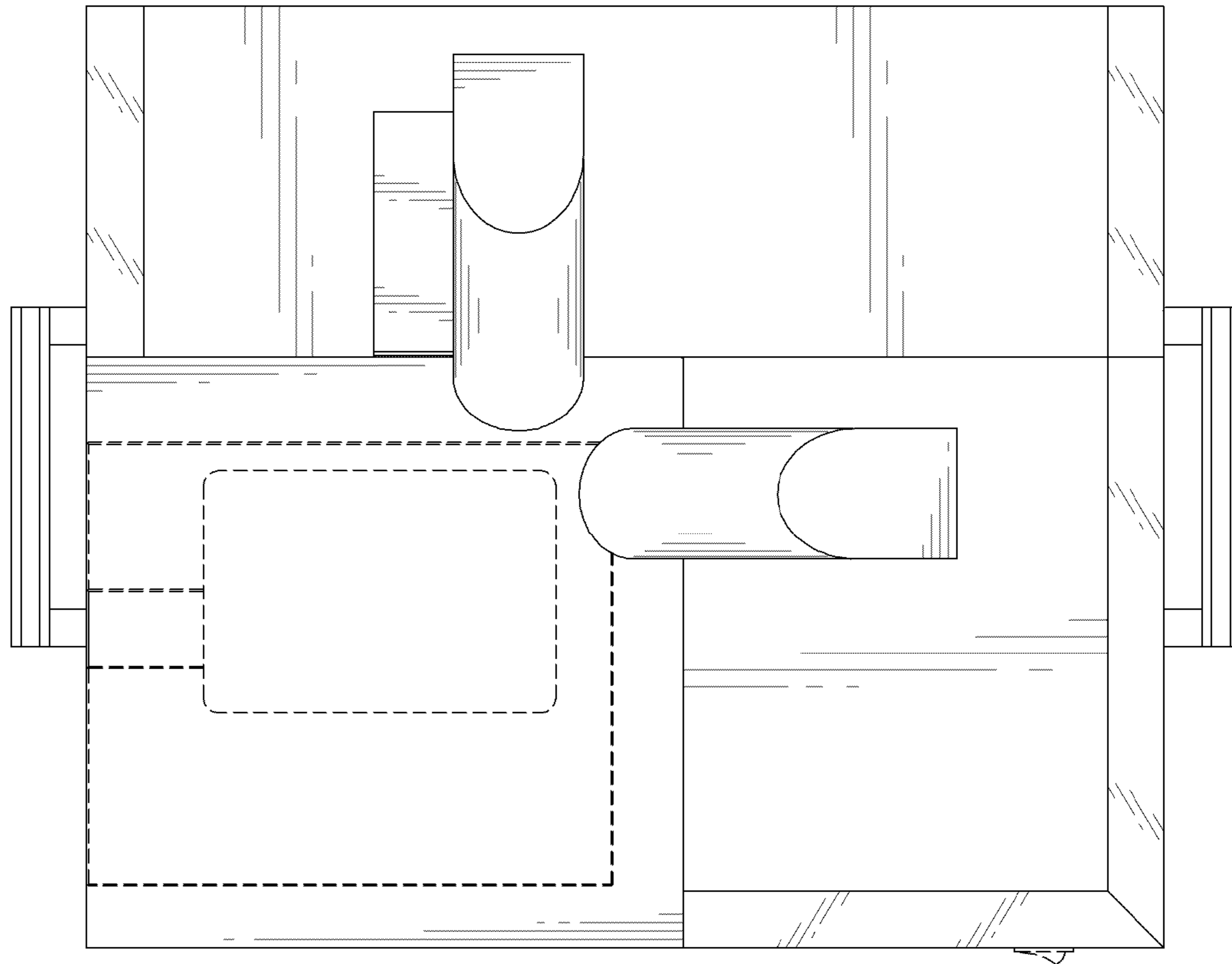


FIG. 6

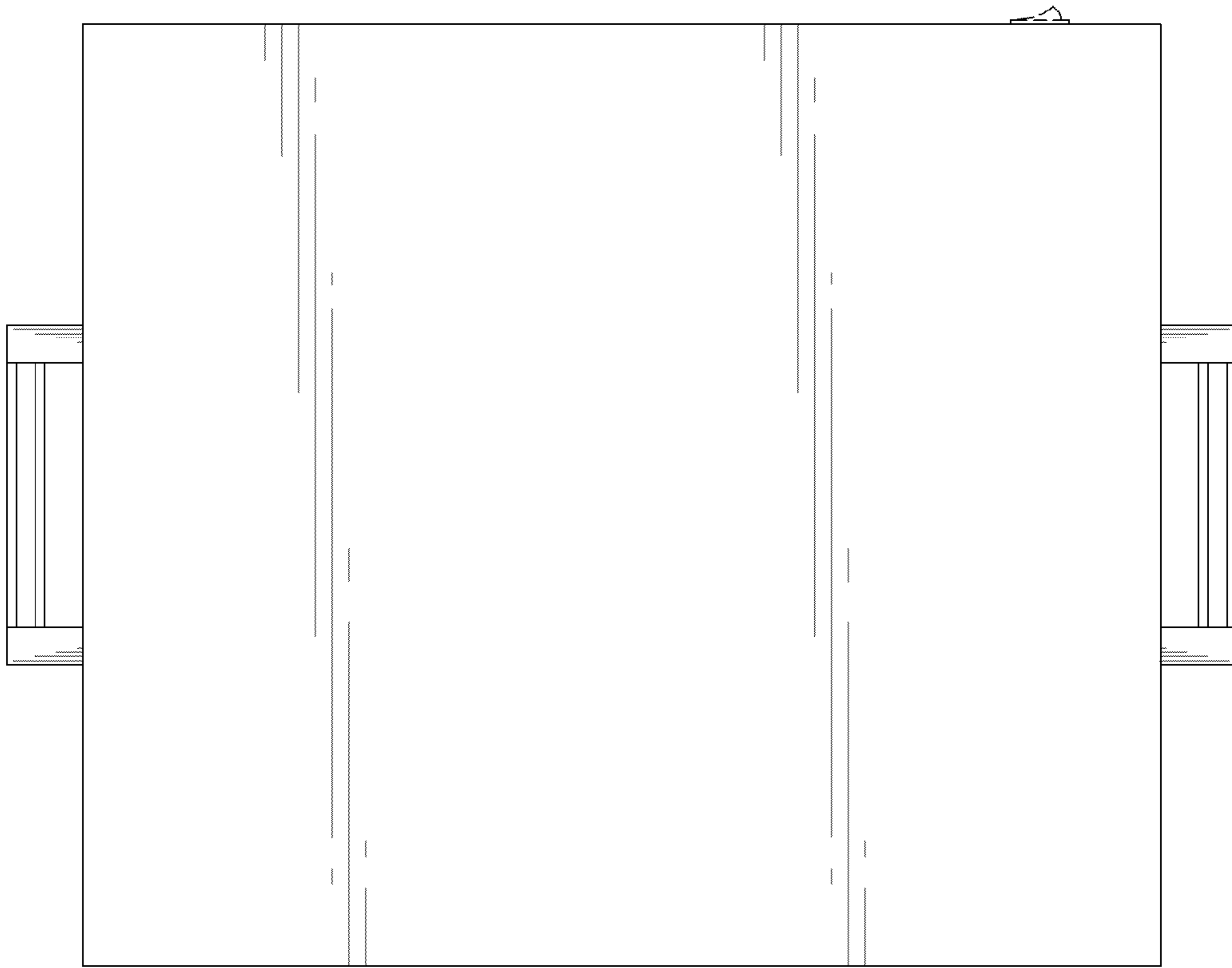


FIG. 7