

US00D737151S

(12) **United States Design Patent**  
**Alward**

(10) **Patent No.:** **US D737,151 S**

(45) **Date of Patent:** **\*\* Aug. 25, 2015**

(54) **TWO-PIECE WATCH SET**

(71) Applicant: **Grant Phillip Alward**, Gotha, FL (US)

(72) Inventor: **Grant Phillip Alward**, Gotha, FL (US)

(\*\*) Term: **14 Years**

(21) Appl. No.: **29/494,306**

(22) Filed: **Jun. 19, 2014**

(51) **LOC (10) Cl.** ..... **10-02**

(52) **U.S. Cl.**  
USPC ..... **D10/31; D10/38**

(58) **Field of Classification Search**

USPC ..... D10/30-39, 1-29, 122-132  
CPC ..... G04B 37/00; G04B 37/0008; G04B  
37/0058; G04B 37/04; G04B 37/0463; G04B  
37/14; G04B 37/1486; G04B 37/1413; G04B  
19/00; G04B 19/283

See application file for complete search history.

(56) **References Cited**

**U.S. PATENT DOCUMENTS**

5,065,376	A *	11/1991	Choulat	368/282
5,392,261	A *	2/1995	Hsu	368/281
D388,000	S *	12/1997	Molineri	D10/30
6,502,981	B2 *	1/2003	Haida	368/276
D544,372	S *	6/2007	Seyr et al.	D10/32
D551,093	S *	9/2007	Hegi	D10/31
7,394,728	B2 *	7/2008	Hyun	368/88
D582,793	S *	12/2008	Lalo	D10/38
7,635,219	B2 *	12/2009	Seyr et al.	368/283
D640,143	S *	6/2011	Virgili	D10/32
D656,846	S *	4/2012	Kweton	D10/39

8,366,313	B2 *	2/2013	Scioscia	368/286
2013/0088942	A1 *	4/2013	Perko et al.	368/278
2013/0163390	A1 *	6/2013	Gossweiler et al.	368/14

\* cited by examiner

*Primary Examiner* — Martie K Holtje

(74) *Attorney, Agent, or Firm* — Dennemeyer & Associates, LLC

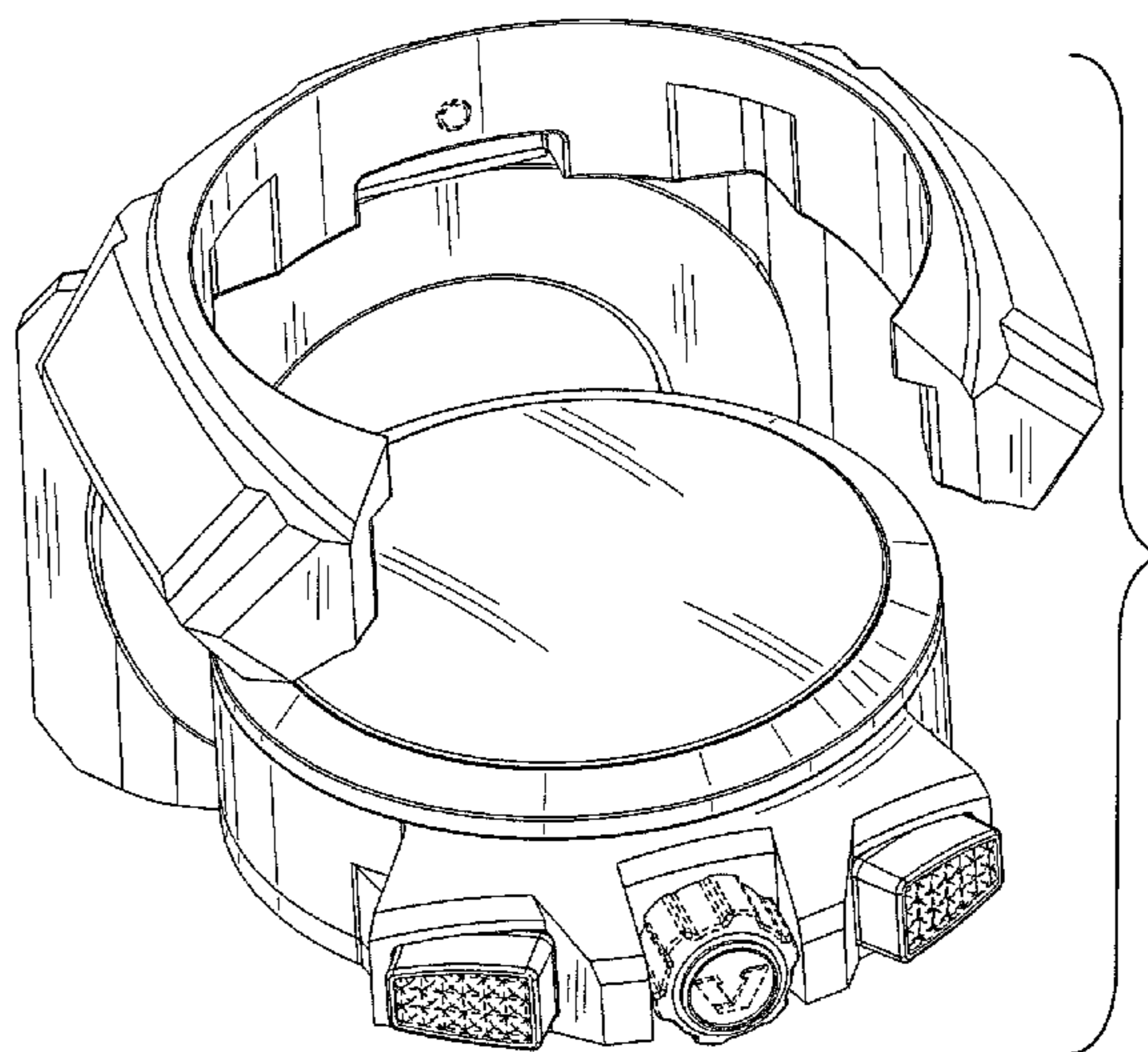
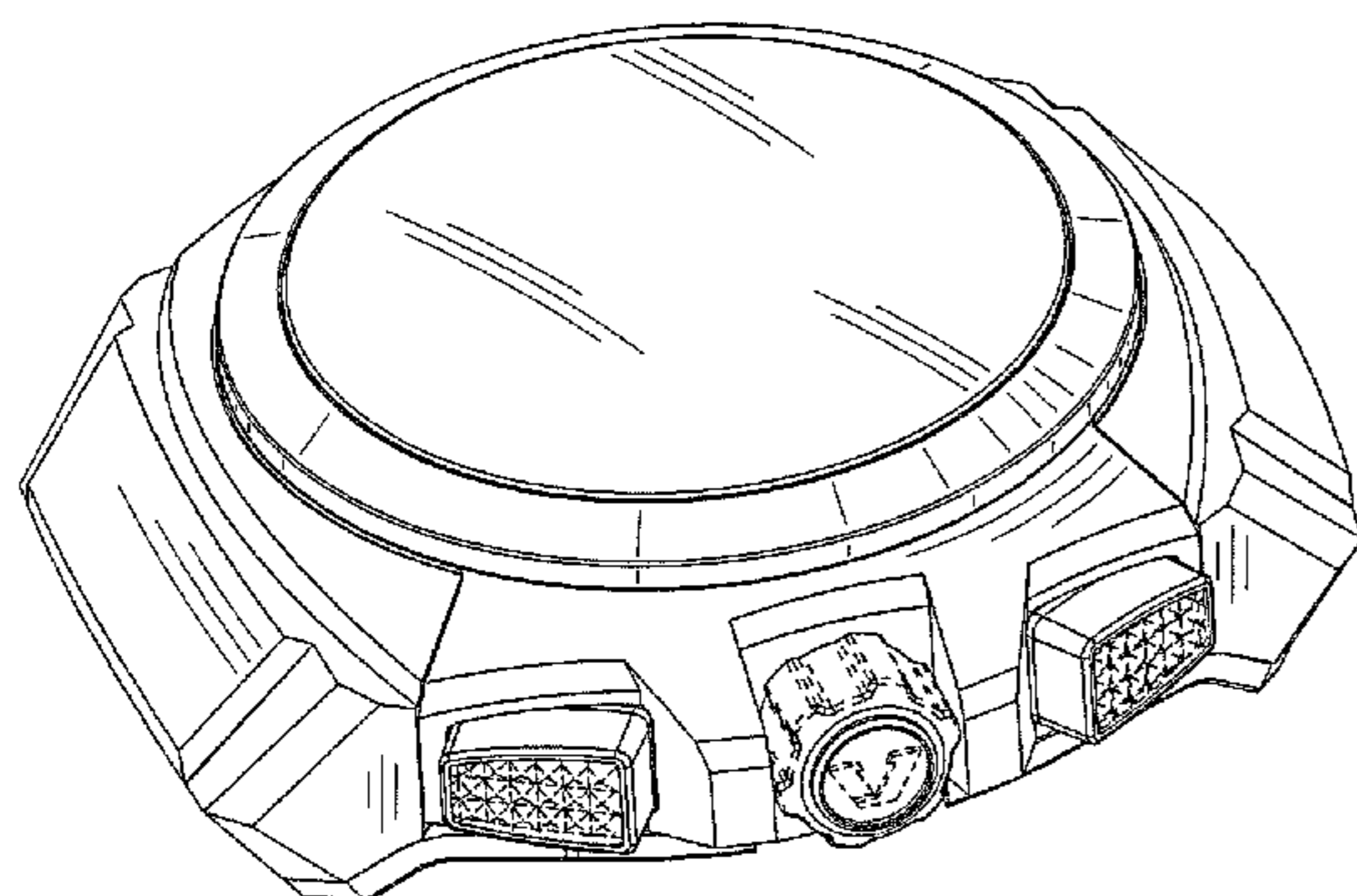
(57) **CLAIM**

The ornamental design for a two-piece watch set, as shown and described.

**DESCRIPTION**

FIG. 1 is a top right perspective view of a two-piece watch set showing my new design in an assembled condition;  
 FIG. 2 is a top plan view thereof;  
 FIG. 3 is a bottom plan view thereof;  
 FIG. 4 is a right side elevational view thereof;  
 FIG. 5 is a left side elevational view thereof;  
 FIG. 6 is a front elevational view thereof;  
 FIG. 7 is a rear elevational view thereof;  
 FIG. 8 is a bottom perspective view thereof in an exploded condition;  
 FIG. 9 is a top perspective view thereof in an exploded condition; and,  
 FIG. 10 is a top perspective view thereof in a partially exploded condition.  
 The structural features and indicia depicted by broken lines in the drawings have been shown for the purpose of illustrating portions of the two-piece watch set that form no part of the claimed design.

**1 Claim, 6 Drawing Sheets**



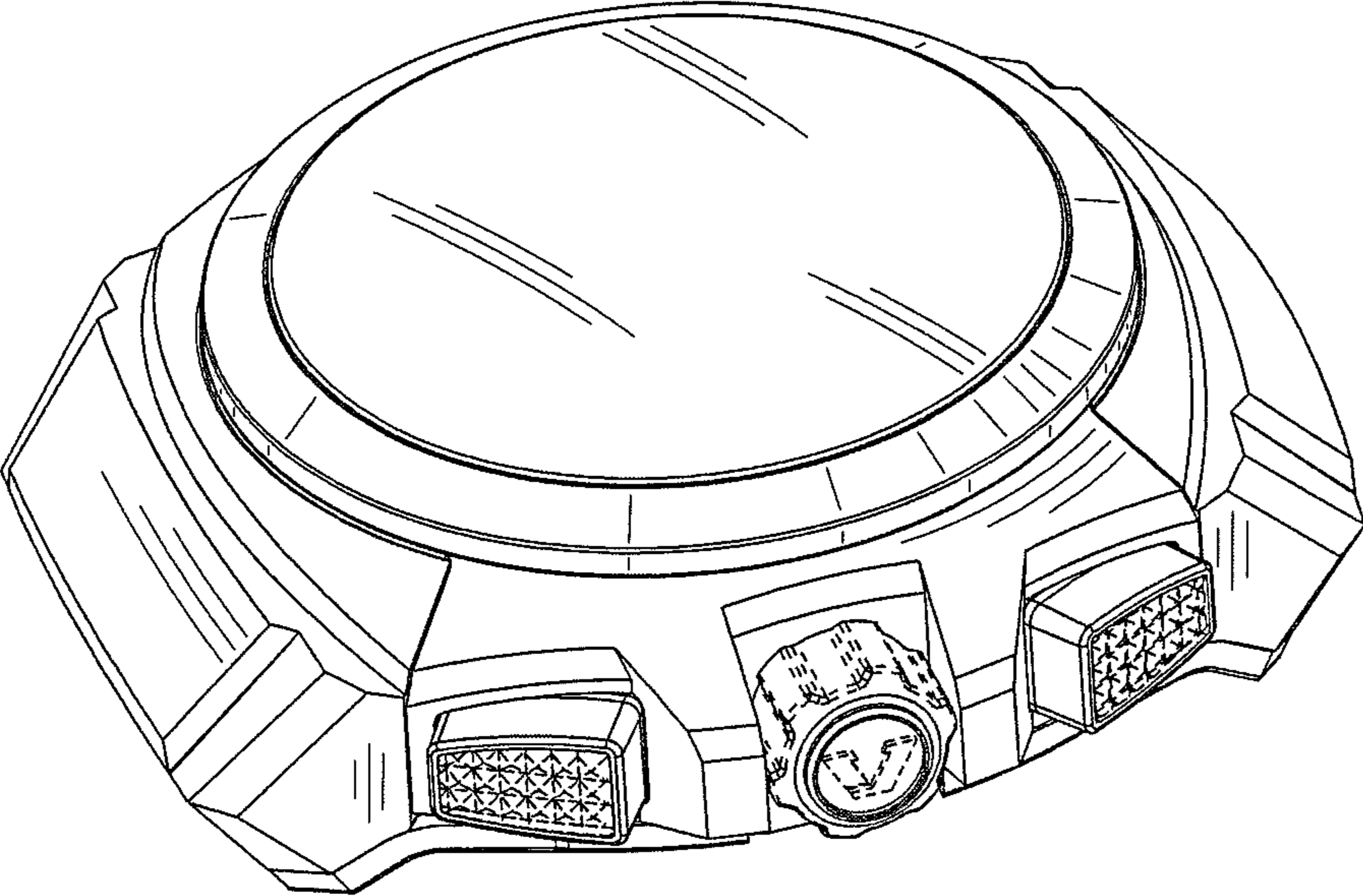


FIG. 1

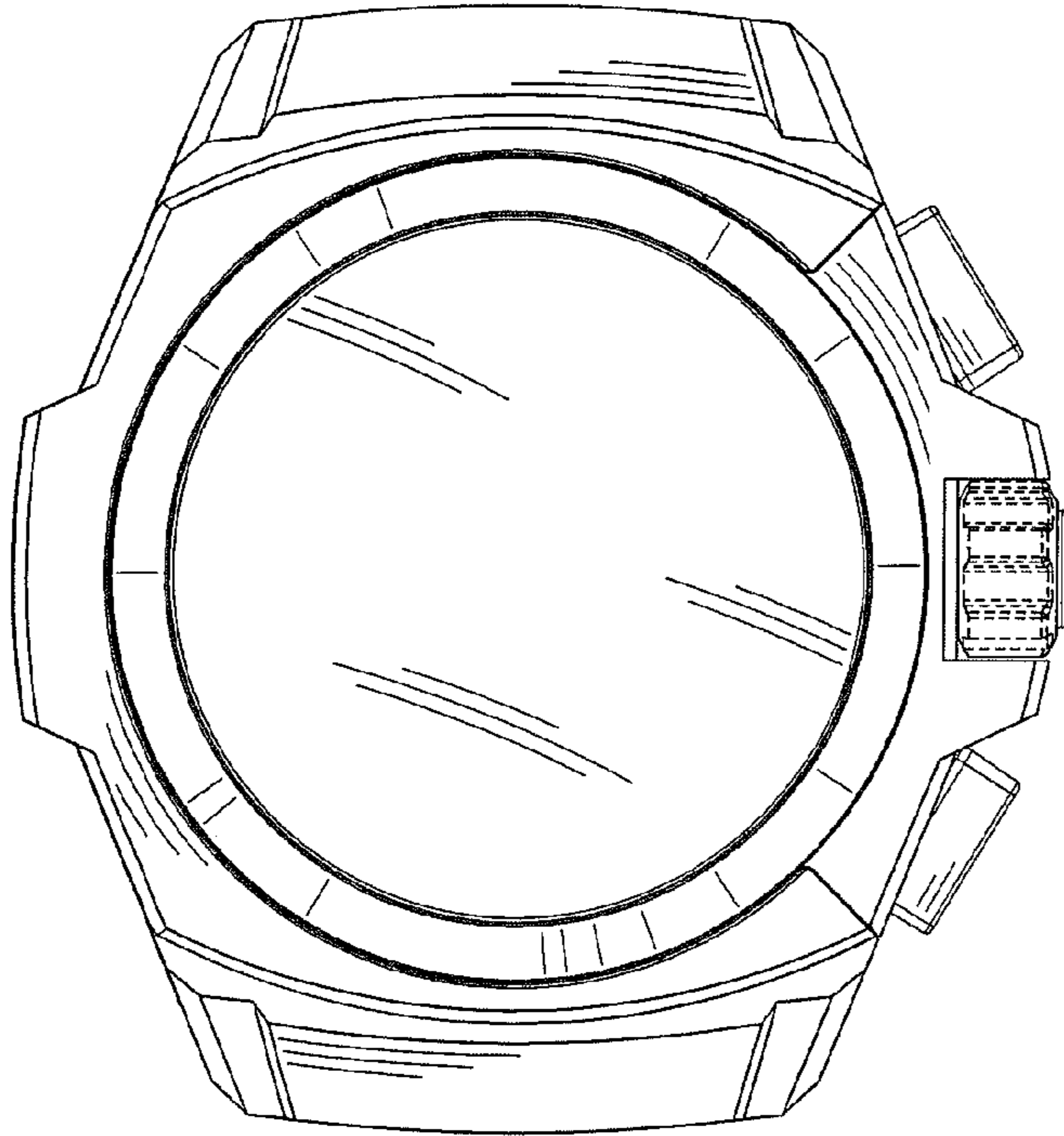


FIG. 2

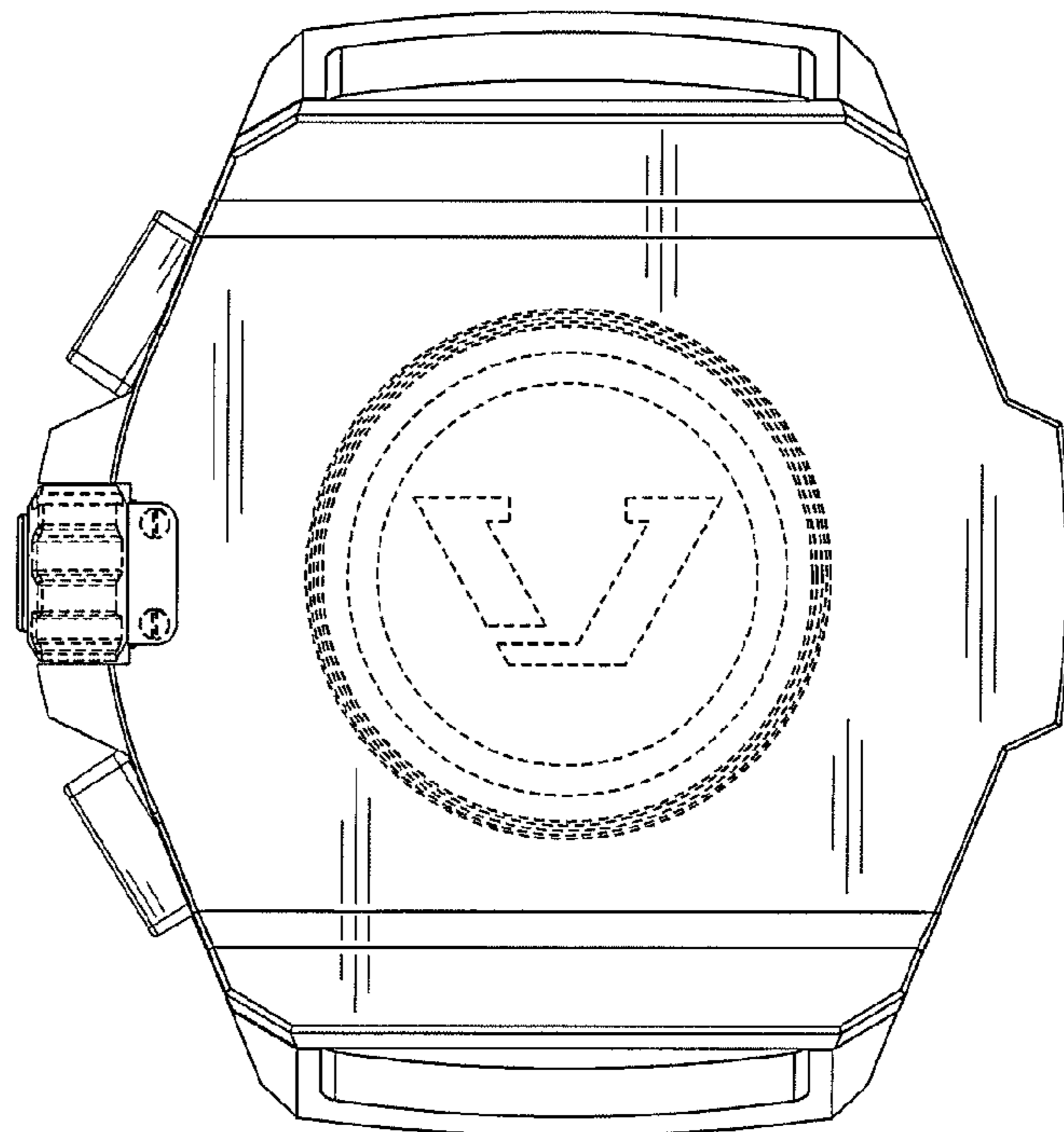


FIG. 3

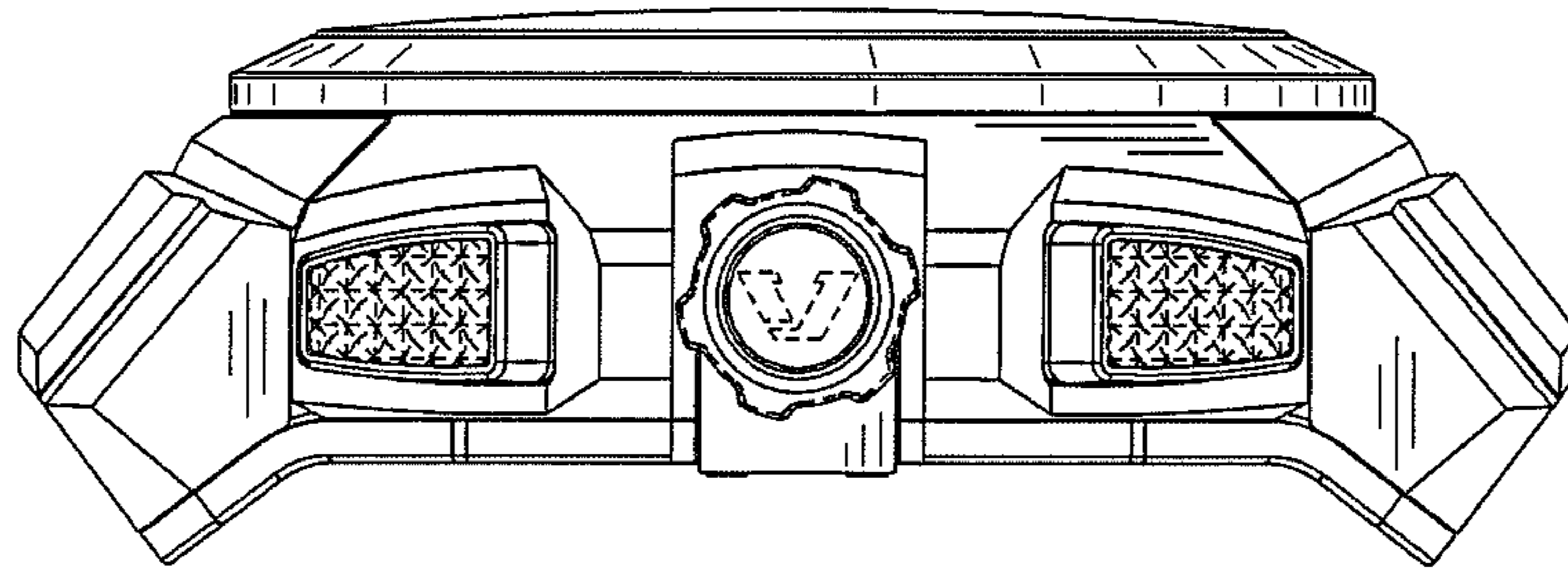


FIG. 4

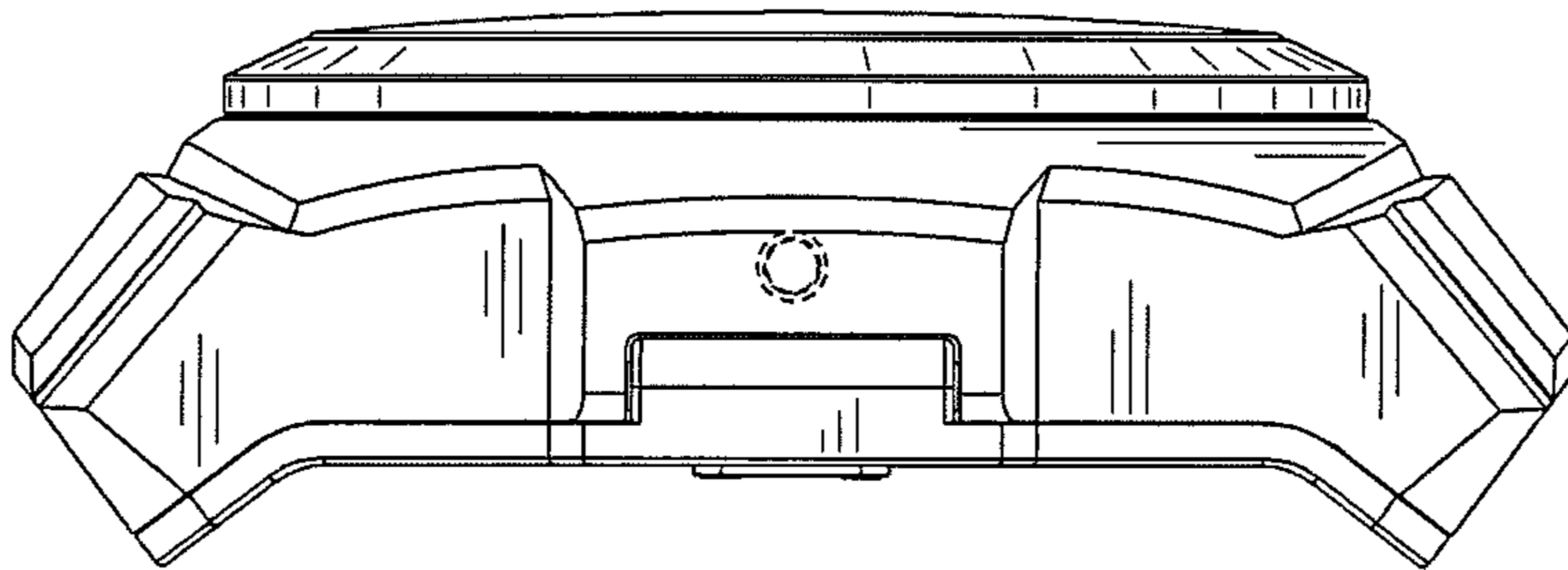


FIG. 5

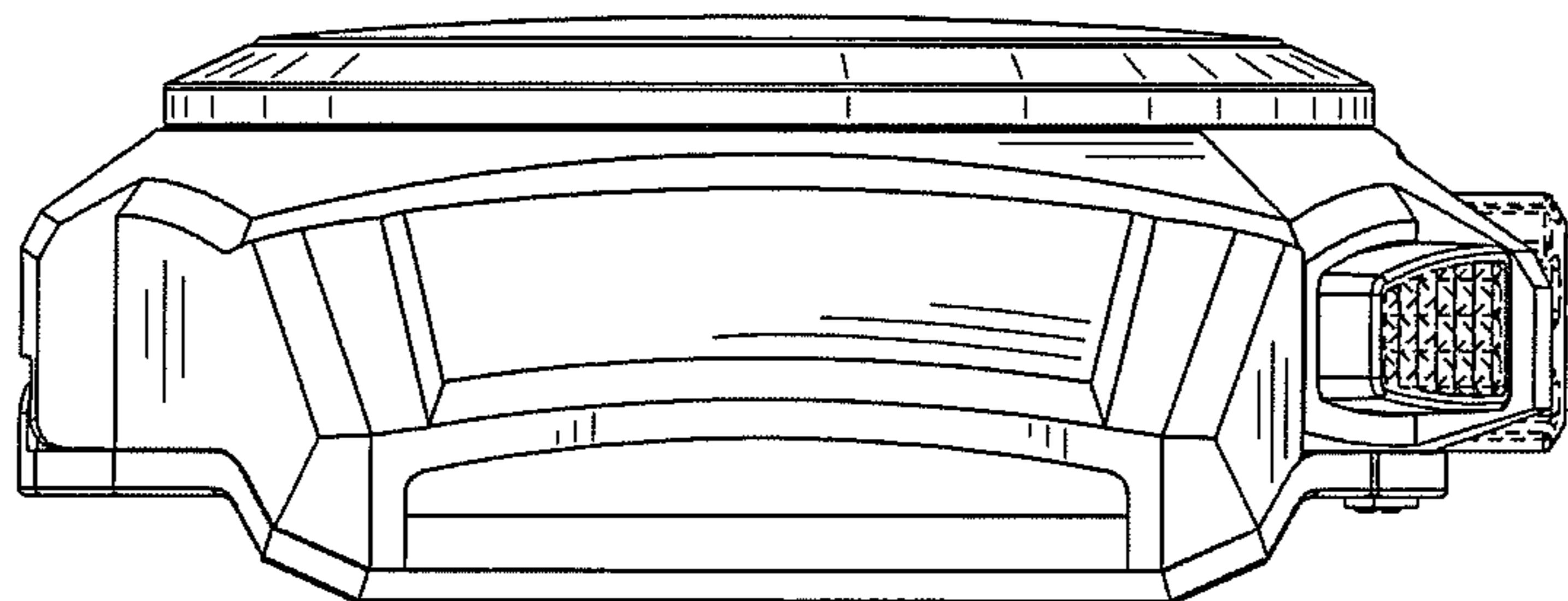


FIG. 6

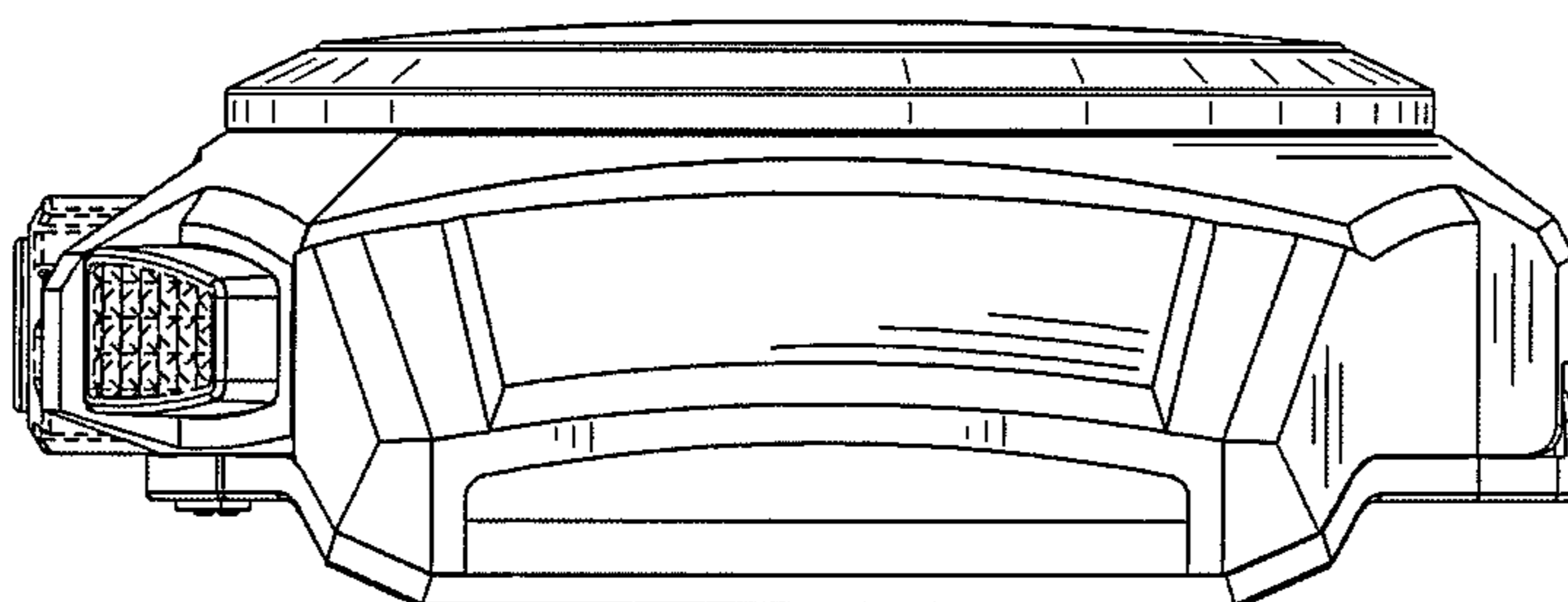


FIG. 7

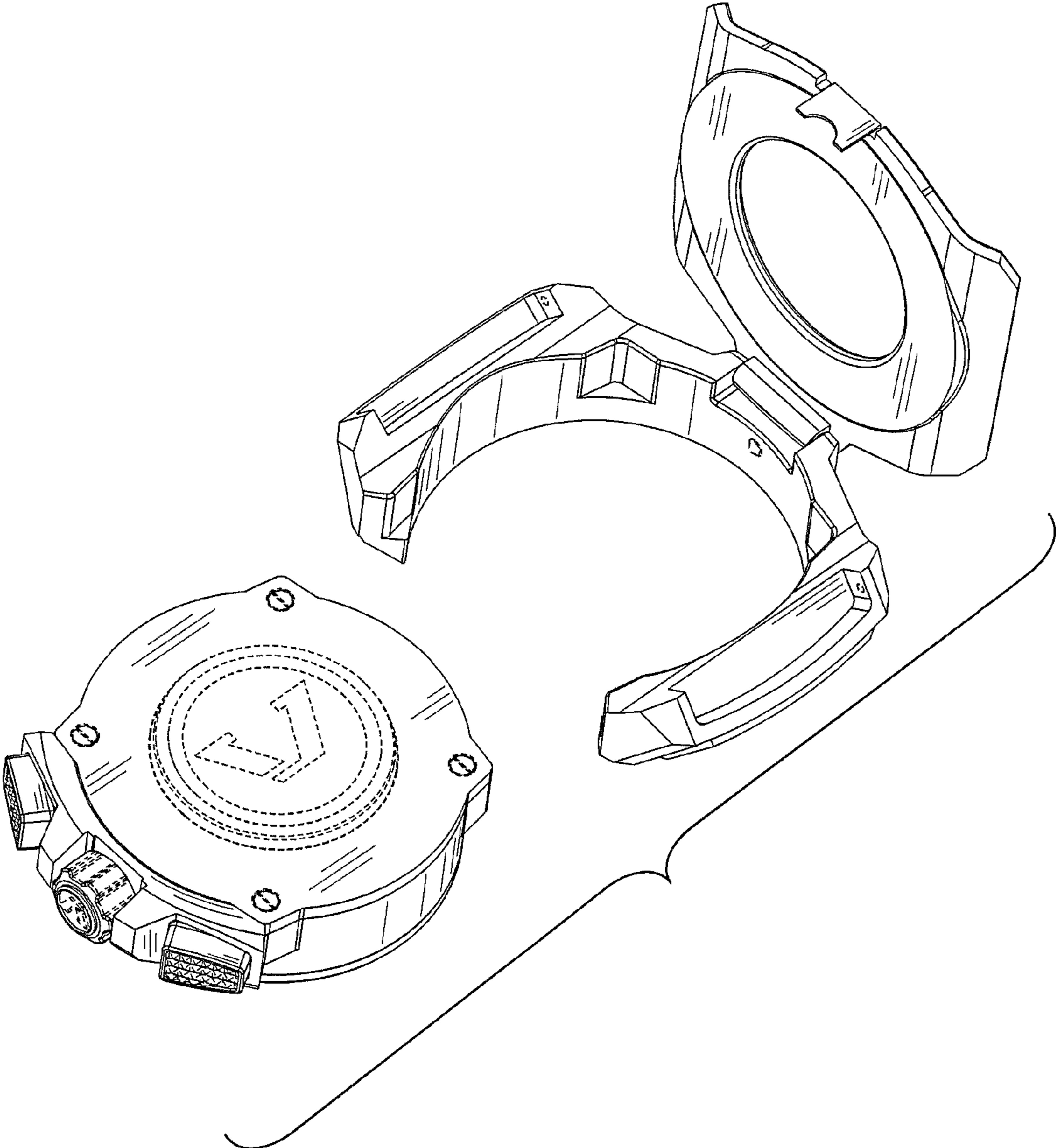


FIG. 8

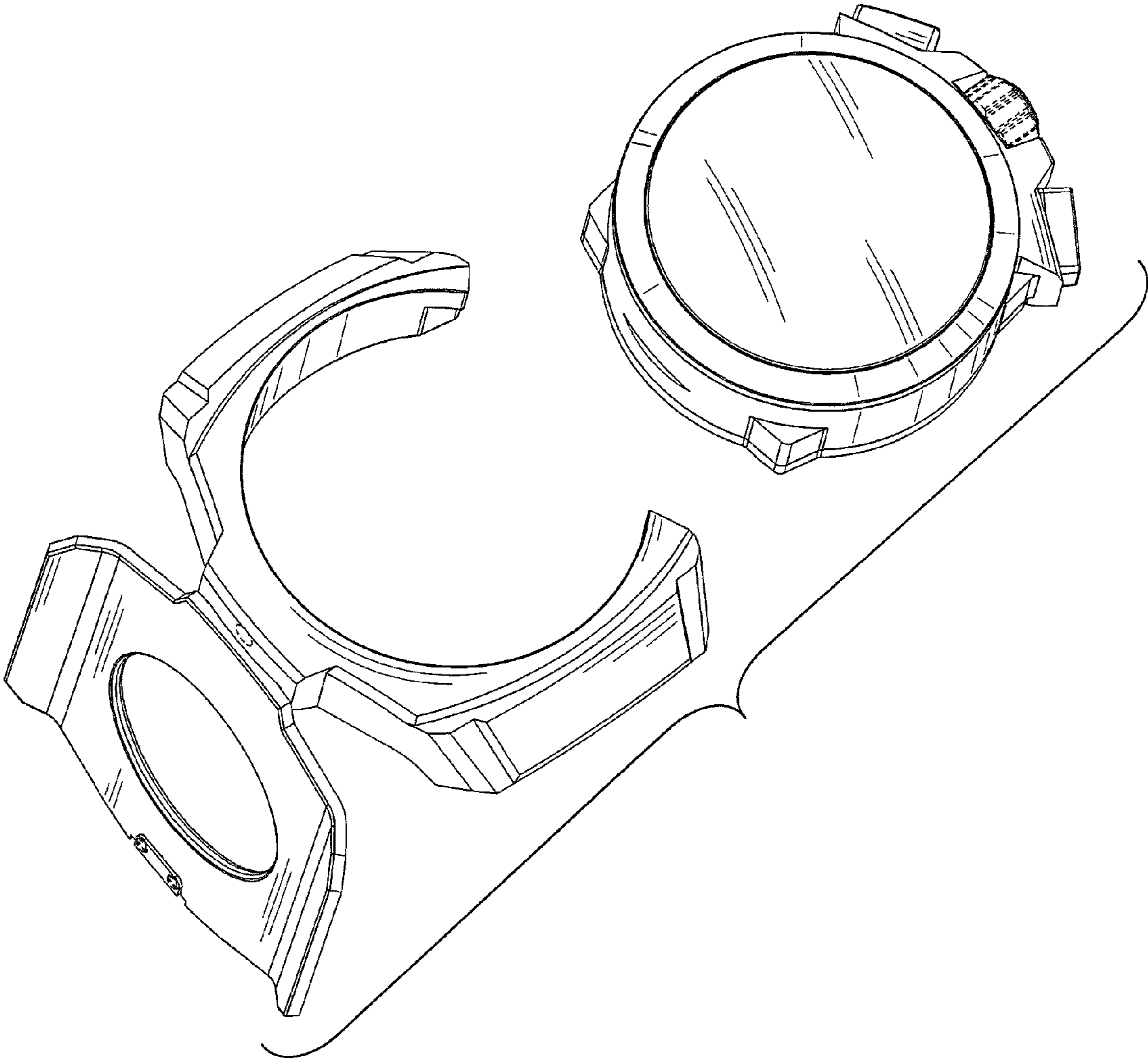


FIG. 9

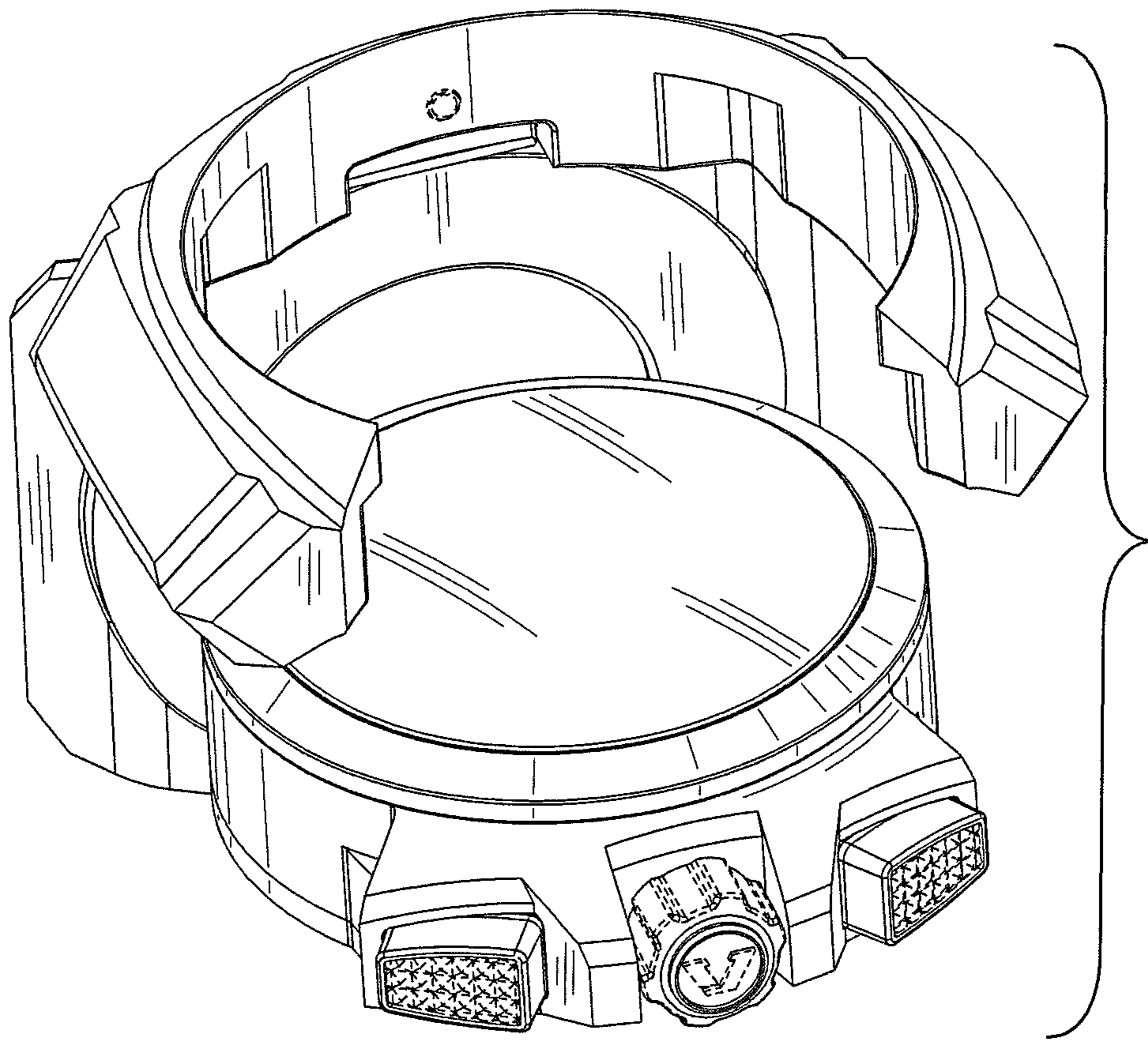


FIG. 10