



US00D737140S

(12) **United States Design Patent**
Lindsay et al.

(10) **Patent No.:** **US D737,140 S**
(45) **Date of Patent:** **** Aug. 25, 2015**

(54) **CLIP FOR A CONTAINER**

(71) Applicant: **SISTEMA PLASTICS LIMITED**,
Auckland (NZ)
(72) Inventors: **Brendan Jon Lindsay**, Auckland (NZ);
Saleh Ghiyath, Auckland (NZ)
(73) Assignee: **SISTEMA PLASTICS LIMITED**,
Auckland (NZ)

(**) Term: **14 Years**
(21) Appl. No.: **29/481,263**
(22) Filed: **Feb. 3, 2014**

(30) **Foreign Application Priority Data**
Aug. 20, 2013 (NZ) 417950
(51) **LOC (10) Cl.** **09-07**
(52) **U.S. Cl.**
USPC **D9/443**
(58) **Field of Classification Search**
USPC D7/387, 601, 602, 620, 633, 701,
D7/708.1; D8/373; D9/434-436, 443-445,
D9/455, 456, 499; 16/232, 258; 220/4.26;
292/87
CPC E05C 19/06
See application file for complete search history.

(56) **References Cited**
U.S. PATENT DOCUMENTS
2,761,716 A * 9/1956 Frederick 292/76
2,803,476 A * 8/1957 Ivanhoe 292/80

(Continued)

FOREIGN PATENT DOCUMENTS
WO 2011/051780 A1 5/2011

OTHER PUBLICATIONS

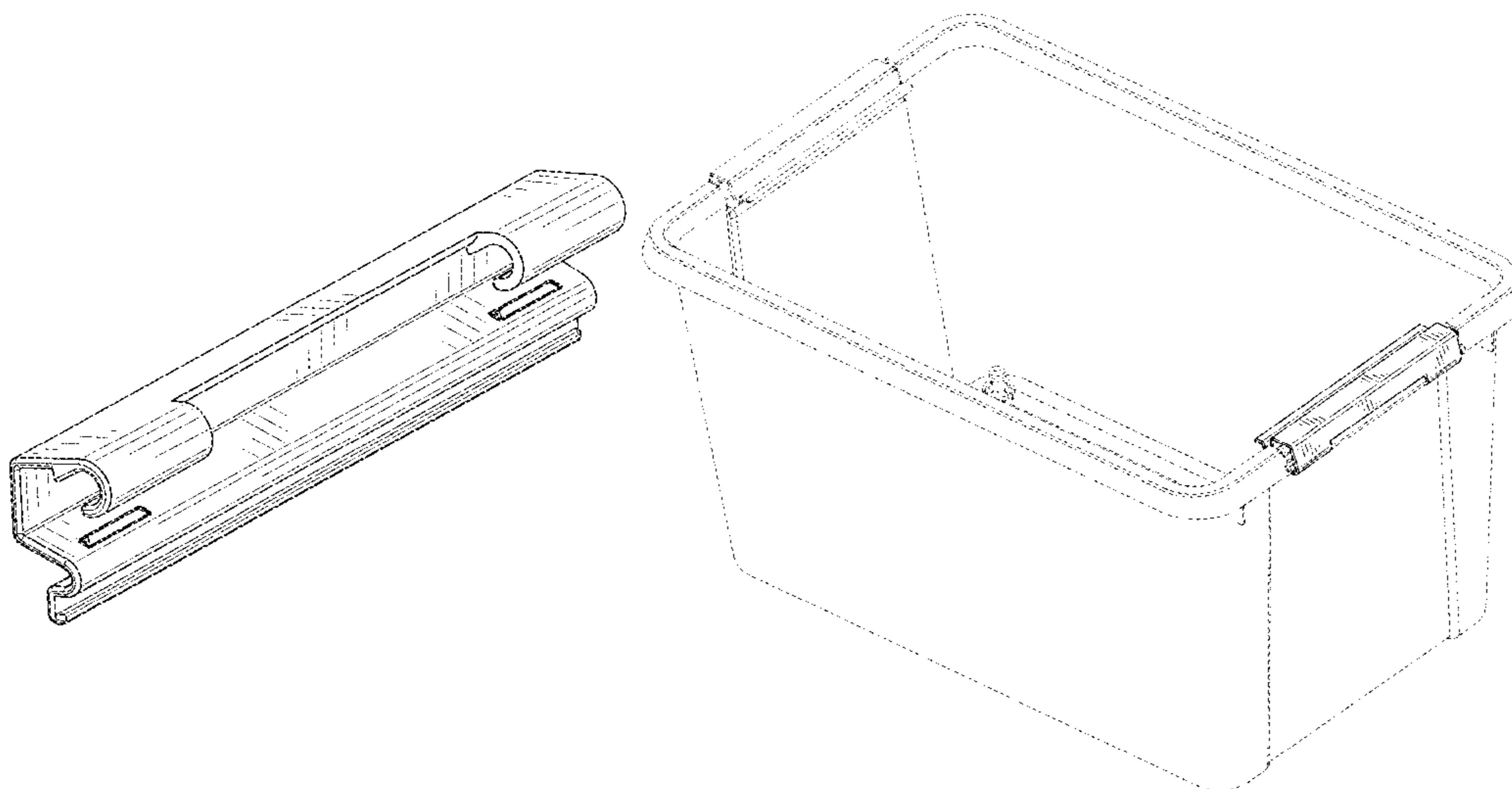
Ebay. Clip Handle. Jun. 6, 2014 [online], [site visited Jan. 7, 2015].
Available from Internet, <URL:http://www.ebay.co.uk/itm/13L-13-
Litre-Clip-Handle-Plastic-Clear-Storage-Food-Handy-Box-Con-
tainer-021167-/321075120366>.*
Primary Examiner — Robert M Spear
Assistant Examiner — Darcey E Heflin
(74) *Attorney, Agent, or Firm* — Morrison & Foerster LLP

(57) **CLAIM**
The ornamental design for a clip for a container, as shown and
described.

DESCRIPTION

FIG. 1 is a top left front perspective view of a clip for a
container;
FIG. 2 is a bottom left front perspective view of the clip;
FIG. 3 is a bottom plan view of the clip;
FIG. 4 is a front elevational view of the clip;
FIG. 5 is a top plan view of the clip;
FIG. 6 is a left side elevational view of the clip;
FIG. 7 is a right side elevational view of the clip;
FIG. 8 is a rear elevational plan view of the clip;
FIG. 9 is a perspective view of the clip attached to a container
shown in broken line;
FIG. 10 is a bottom view of the container, which provides a
bottom view of the clip as shown in FIG. 3;
FIG. 11 is a front view of the container, which provides a front
view of the clip as shown in FIG. 4;
FIG. 12 is a side view of the container, which provides a left
side view of the clip as shown in FIG. 6; and,
FIG. 13 is a top view of the container, which provides a top
view of the clip as shown in FIG. 5.
In the drawings, the broken lines depict a container that forms
no part of the claim.

1 Claim, 12 Drawing Sheets



(56)

References Cited

U.S. PATENT DOCUMENTS

2,918,318 A * 12/1959 Sacharski 292/87
D290,931 S * 7/1987 Powell D8/373
D305,297 S * 1/1990 O'Neill D9/434
D307,384 S * 4/1990 Phillips D8/373
4,985,962 A 1/1991 Weber
D319,951 S * 9/1991 Frankel D7/620

D367,817 S * 3/1996 Halpin et al. D9/434
5,738,390 A 4/1998 Yemini
D441,643 S * 5/2001 Tsuruishi et al. D9/456
D467,802 S * 12/2002 Amundson D9/443
D474,968 S * 5/2003 Hicks et al. D9/443
D510,522 S * 10/2005 Laveault et al. D9/443
D528,415 S * 9/2006 Tuddenham D9/434
7,574,773 B2 8/2009 Dahl et al.
8,490,810 B2 7/2013 Lown

* cited by examiner

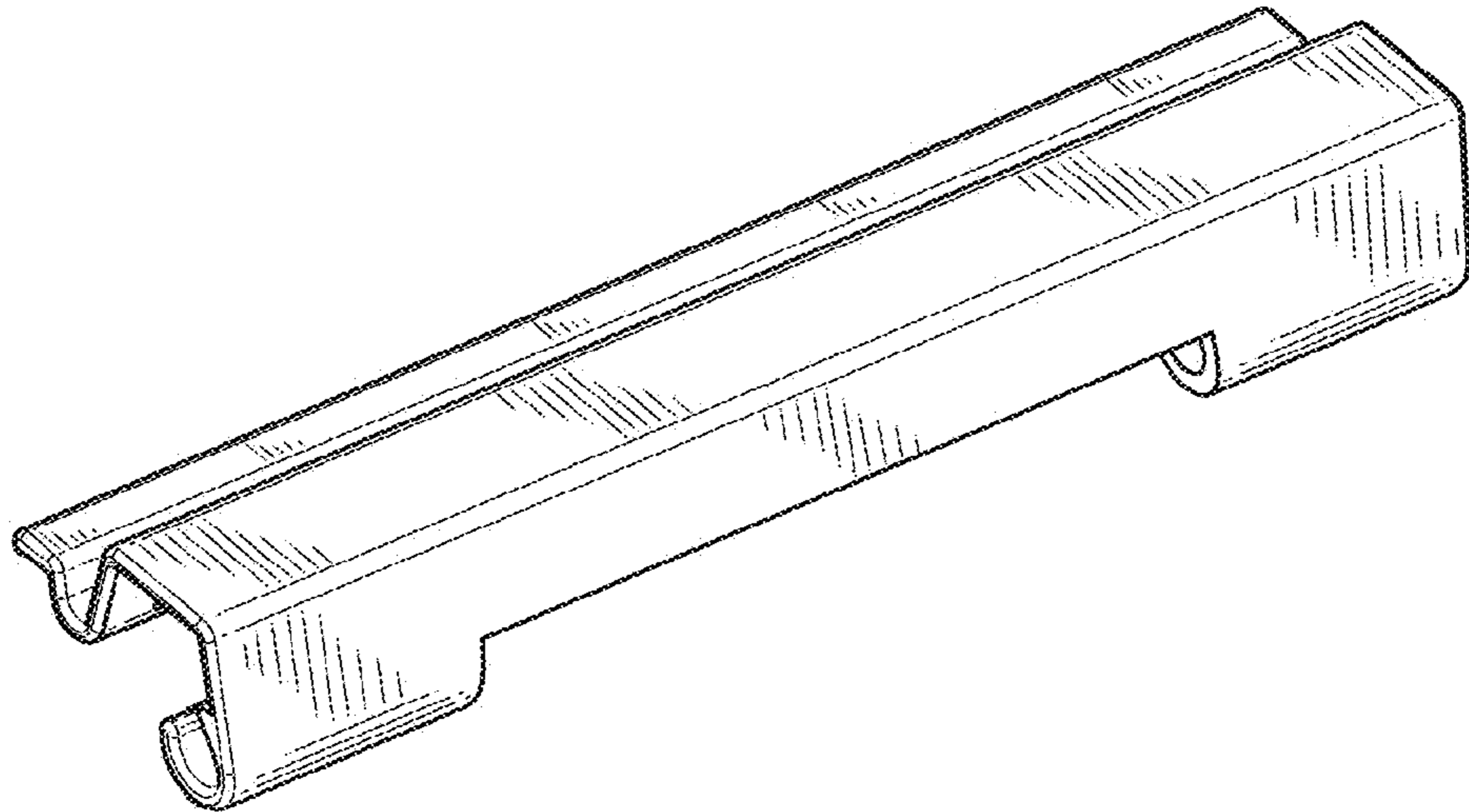


FIG. 1

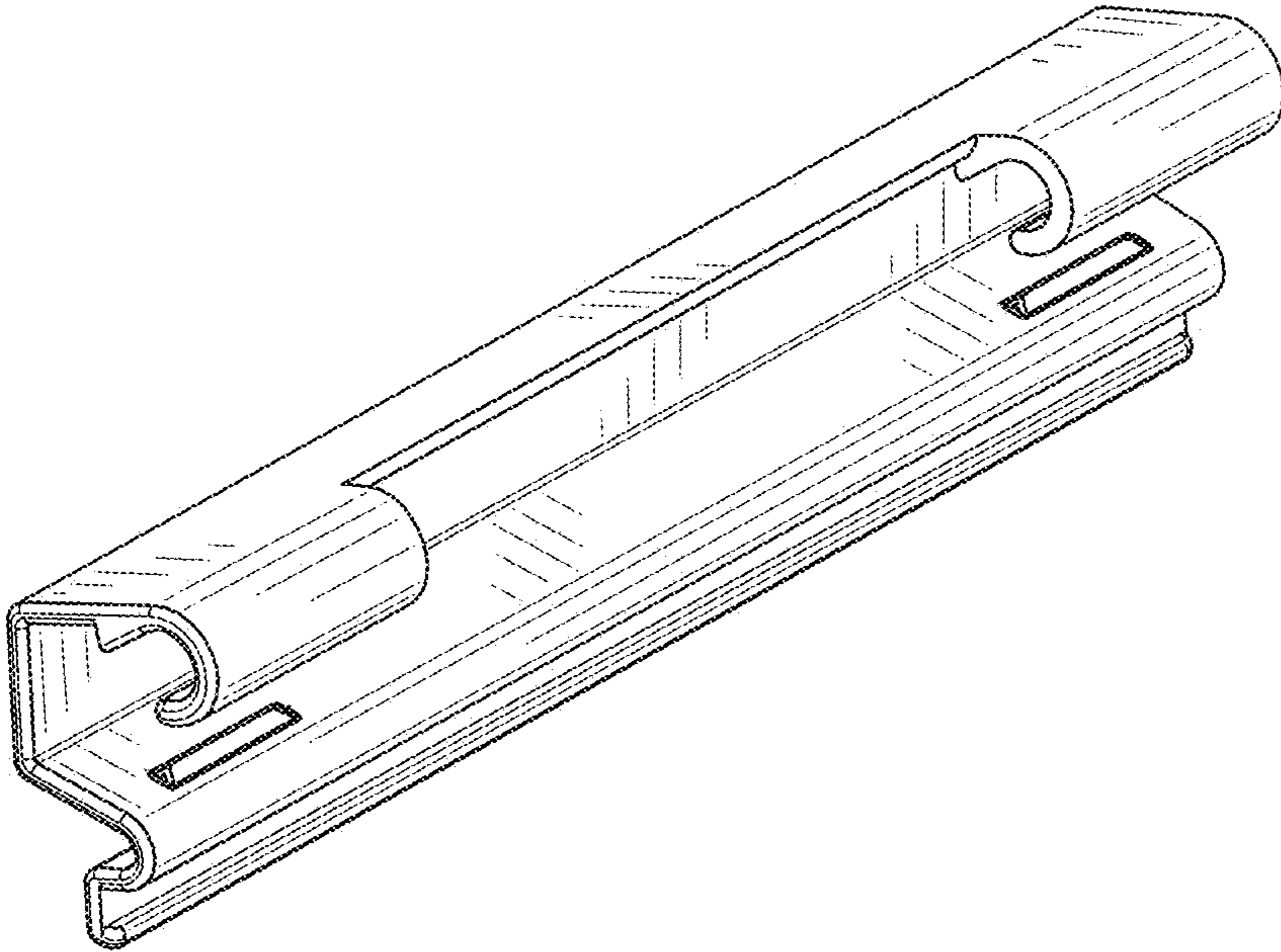


FIG. 2

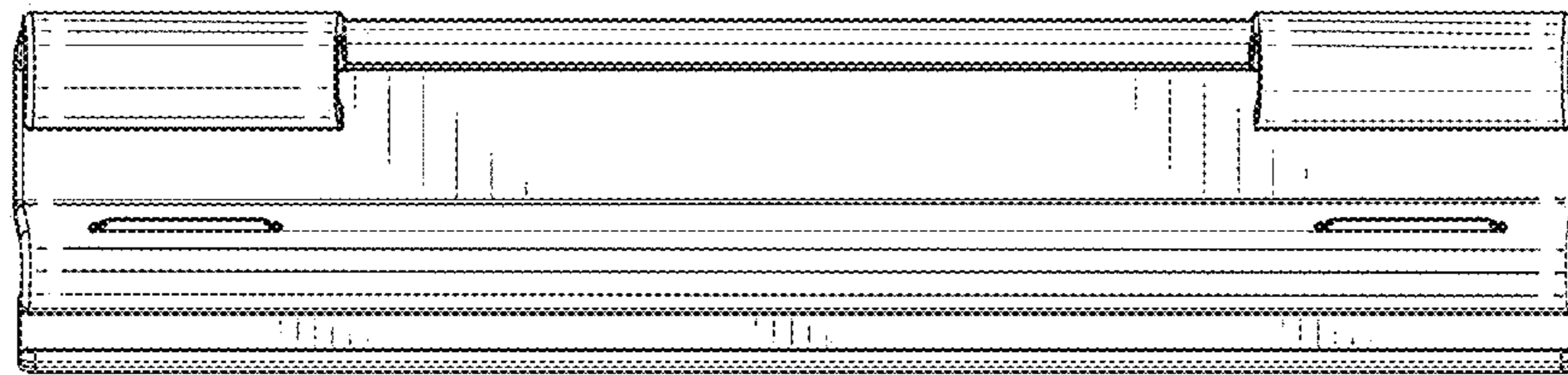


FIG. 3

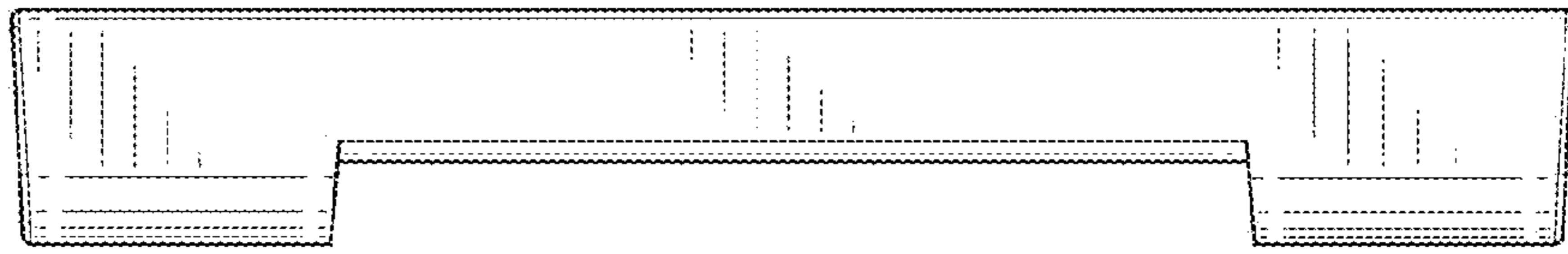


FIG. 4

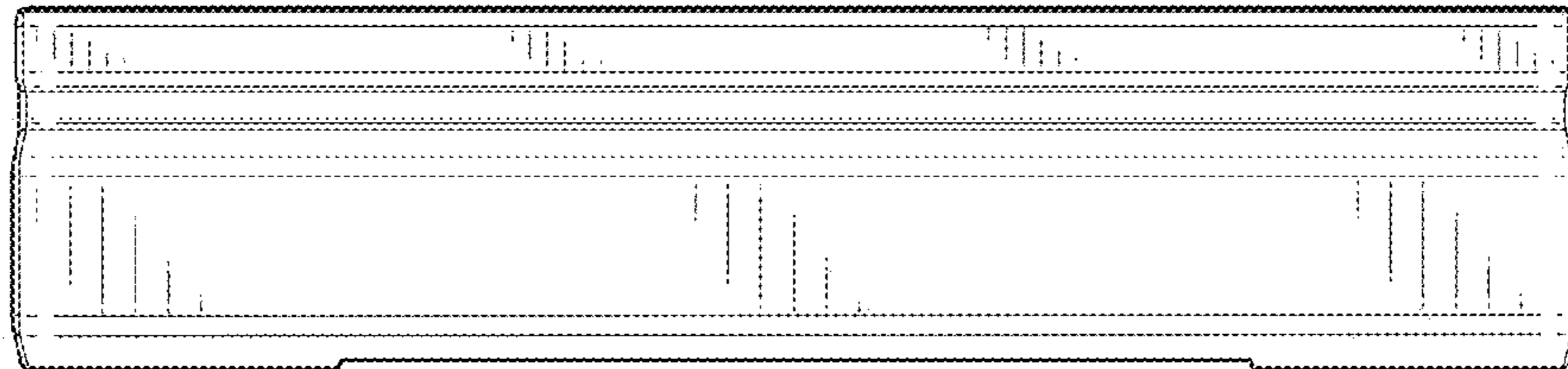


FIG. 5

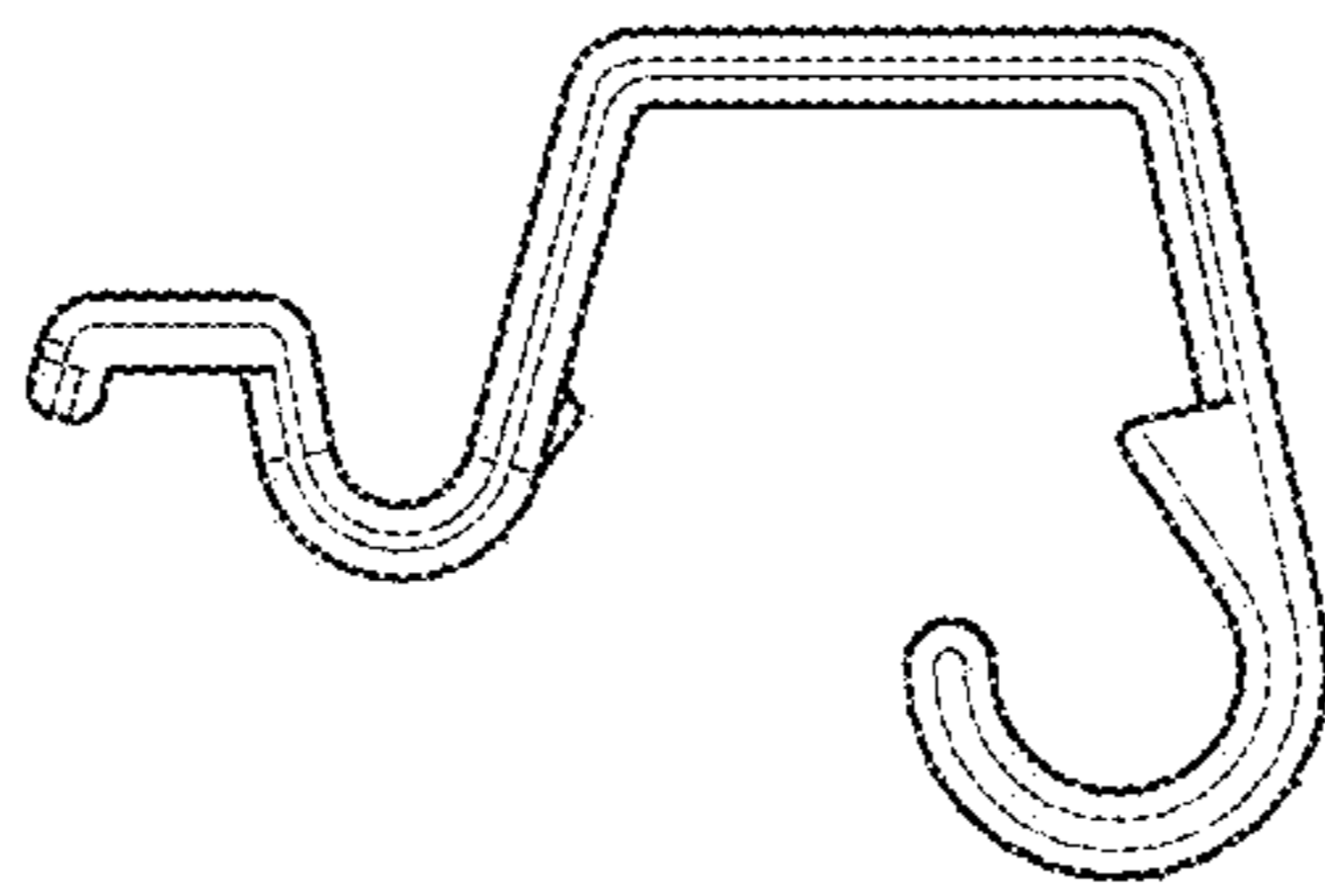


FIG. 6

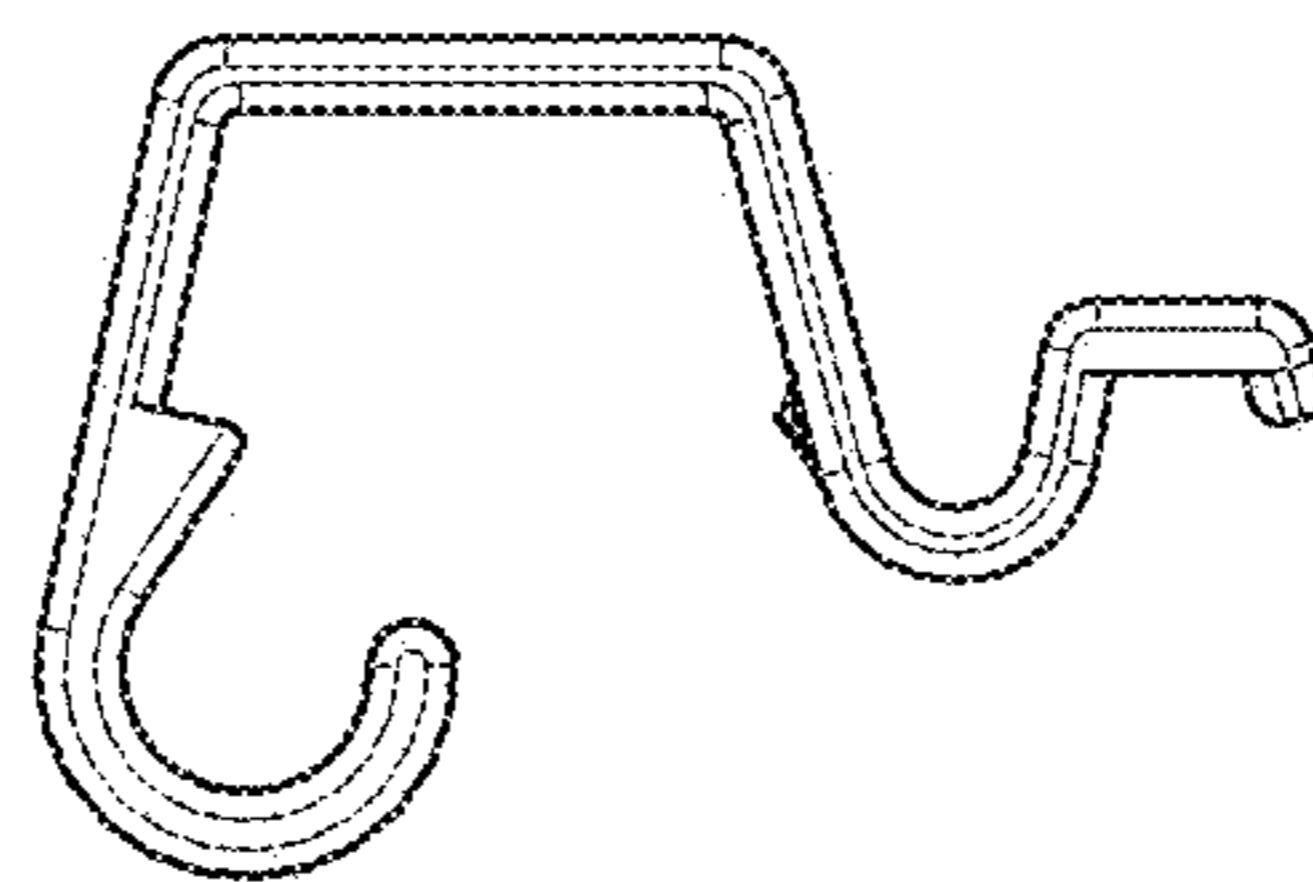


FIG. 7

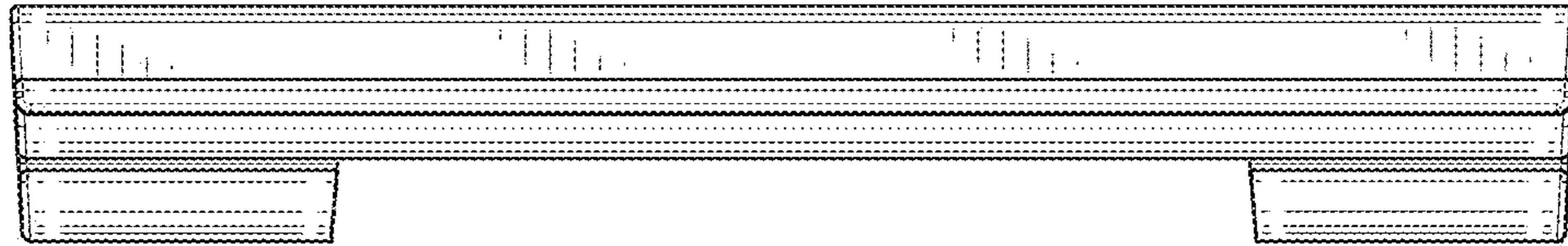


FIG. 8

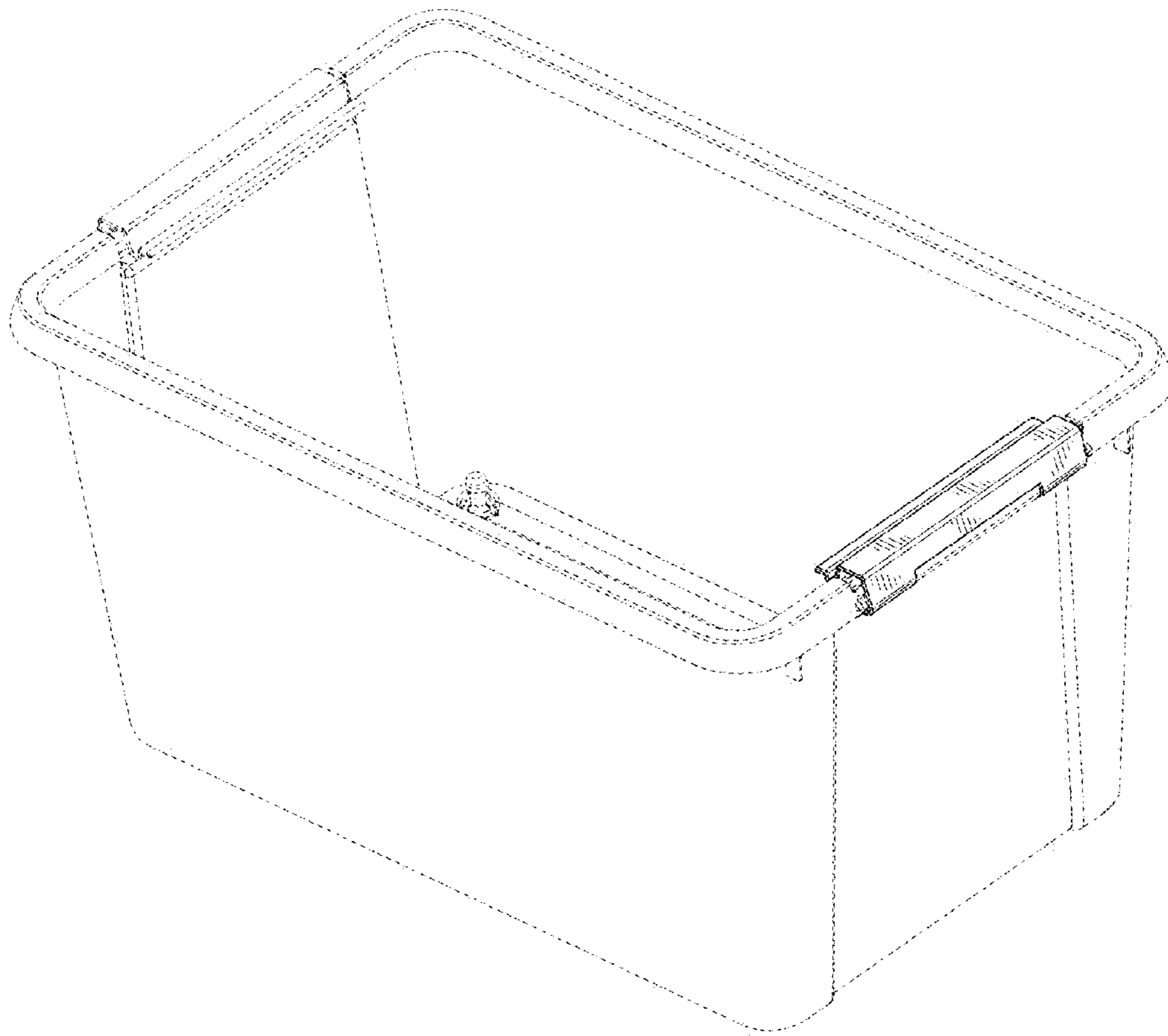


FIG. 9

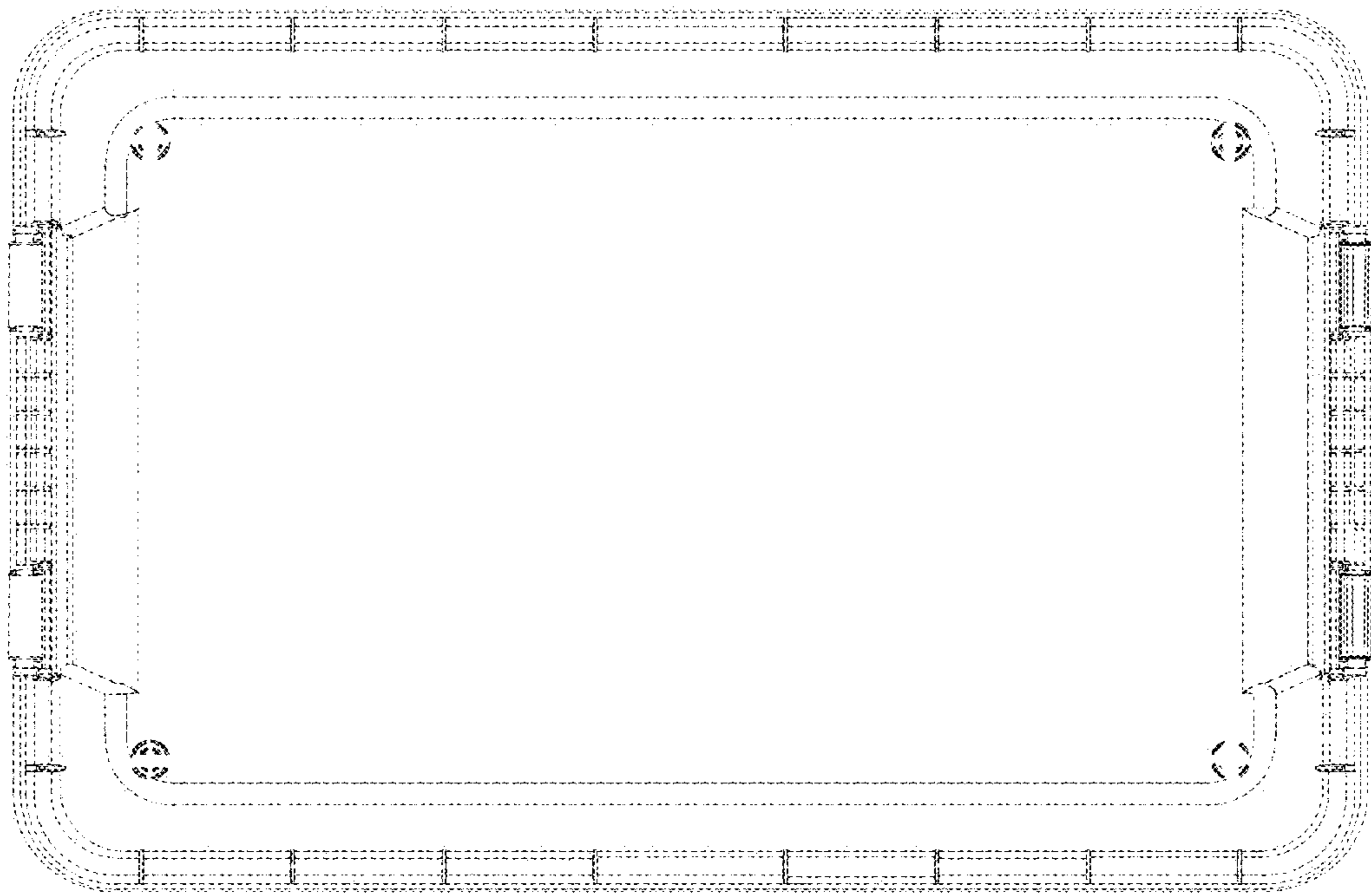


FIG. 10

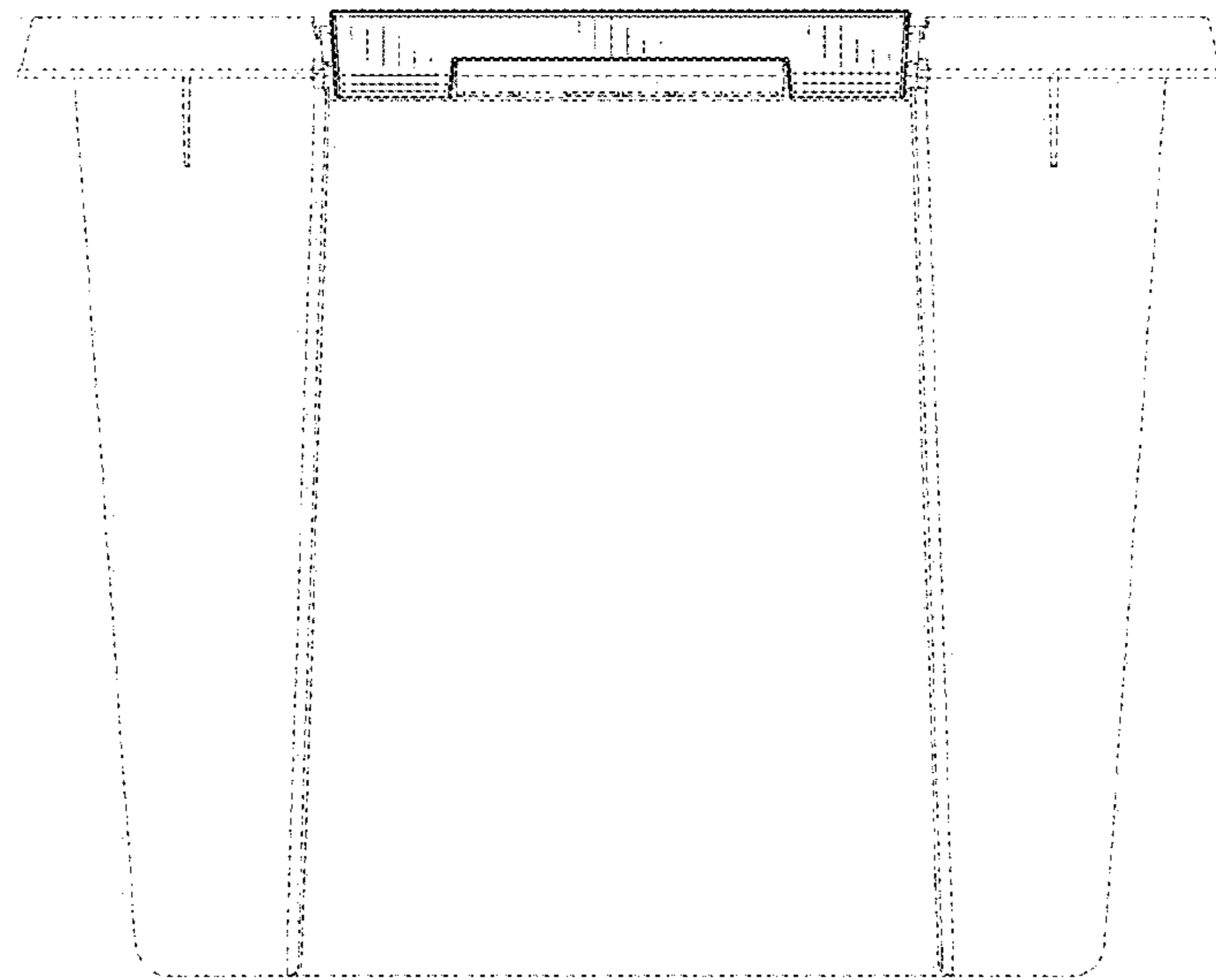


FIG. 11



FIG. 12



FIG. 13