



US00D737139S

(12) **United States Design Patent**
Sokoly

(10) **Patent No.:** **US D737,139 S**

(45) **Date of Patent:** **** Aug. 25, 2015**

(54) **BIODEGRADABLE DRINKING LID**

(71) Applicant: **Bradley W. Sokoly**, Oviedo, FL (US)

(72) Inventor: **Bradley W. Sokoly**, Oviedo, FL (US)

(**) Term: **14 Years**

(21) Appl. No.: **29/493,086**

(22) Filed: **Jun. 5, 2014**

(51) **LOC (10) Cl.** **09-07**

(52) **U.S. Cl.**
USPC **D9/435**

(58) **Field of Classification Search**
USPC D3/202; D7/387; D9/434, 435, 436,
D9/440, 443, 445, 447, 452, 453, 454, 456,
D9/499, 503, 504, 741; 99/275; 220/212,
220/711, 713

CPC B65D 2543/00046
See application file for complete search history.

(56) **References Cited**

U.S. PATENT DOCUMENTS

D417,845 S *	12/1999	Sadlier et al.	D9/447
D516,424 S *	3/2006	Schweigert et al.	D9/447
D591,595 S *	5/2009	Tedford, Jr.	D9/447
D614,954 S *	5/2010	Crowell et al.	D9/447
D629,298 S *	12/2010	Wong	D9/447
D658,057 S *	4/2012	Donat	D9/447
D660,696 S *	5/2012	Weiss	D9/447
D720,615 S *	1/2015	Panone et al.	D9/447
D720,616 S *	1/2015	Lam	D9/447
2006/0071008 A1 *	4/2006	Sadlier	220/713

OTHER PUBLICATIONS

Mason Monster. Eco EZ Sipper. 2014 [online], [site visited Mar. 12, 2015]. Available from Internet, <URL:http://www.masonmonster.com/products/eco-ez-sipper-orange-regular-mouth>.*

* cited by examiner

Primary Examiner — Robert M. Spear

Assistant Examiner — Darcey E Heflin

(74) *Attorney, Agent, or Firm* — Gearhart Law, LLC

(57) **CLAIM**

The ornamental design for a biodegradable drinking lid, as shown and described.

DESCRIPTION

FIG. 1 is a perspective view of the biodegradable drinking lid. FIG. 2 is a front view of the present invention as shown FIG. 1.

FIG. 3 is a back view thereof.

FIG. 4 is a left side view of FIG. 1.

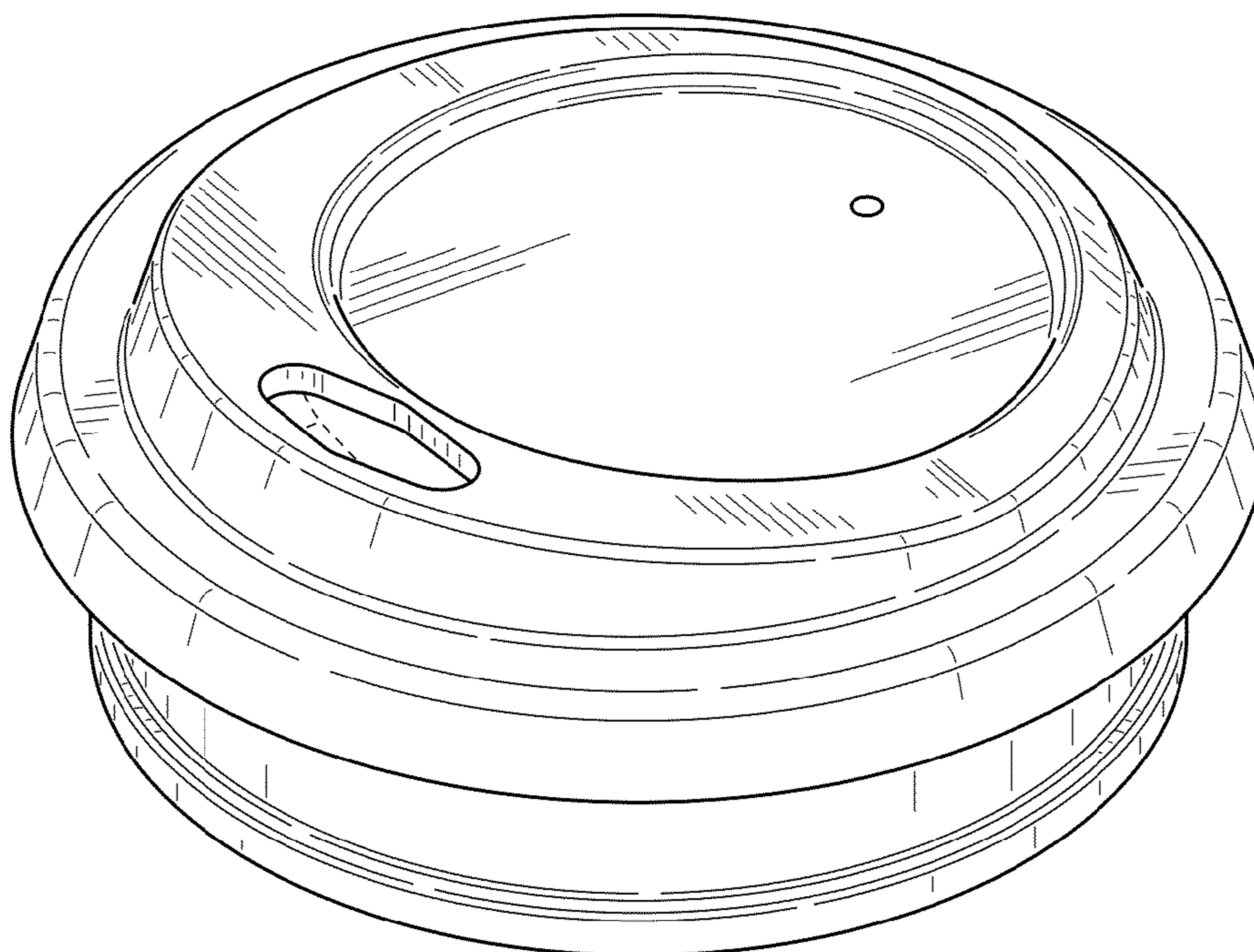
FIG. 5 is a right side view of FIG. 1.

FIG. 6 is a top view of FIG. 1.

FIG. 7 is a bottom view thereof; and,

FIG. 8 is a perspective view of the biodegradable drinking lid with an optional gasket disposed around a portion of the lid. In the drawings, the broken lines depict environmental subject matter and form no part of the claim.

1 Claim, 4 Drawing Sheets



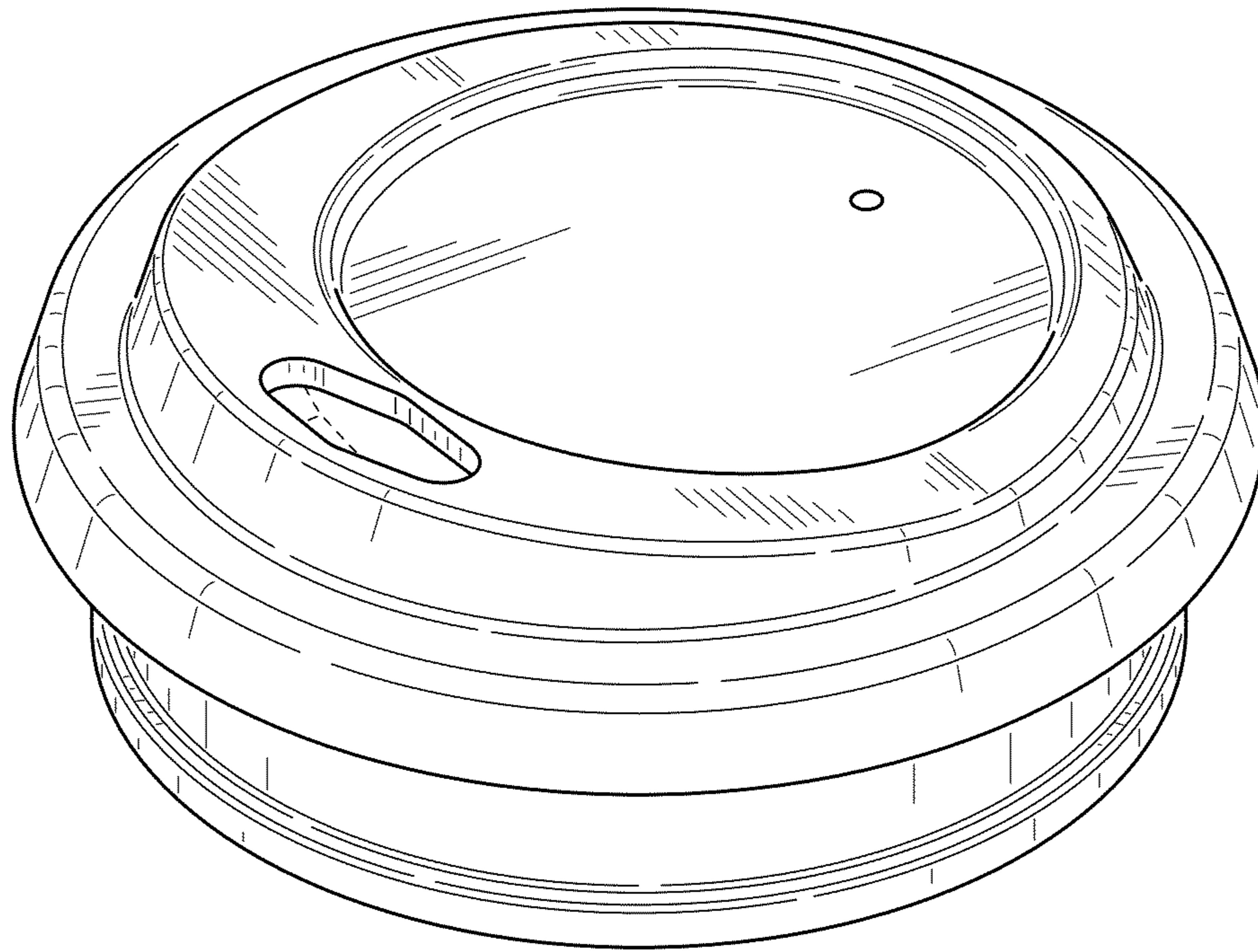


FIG. 1

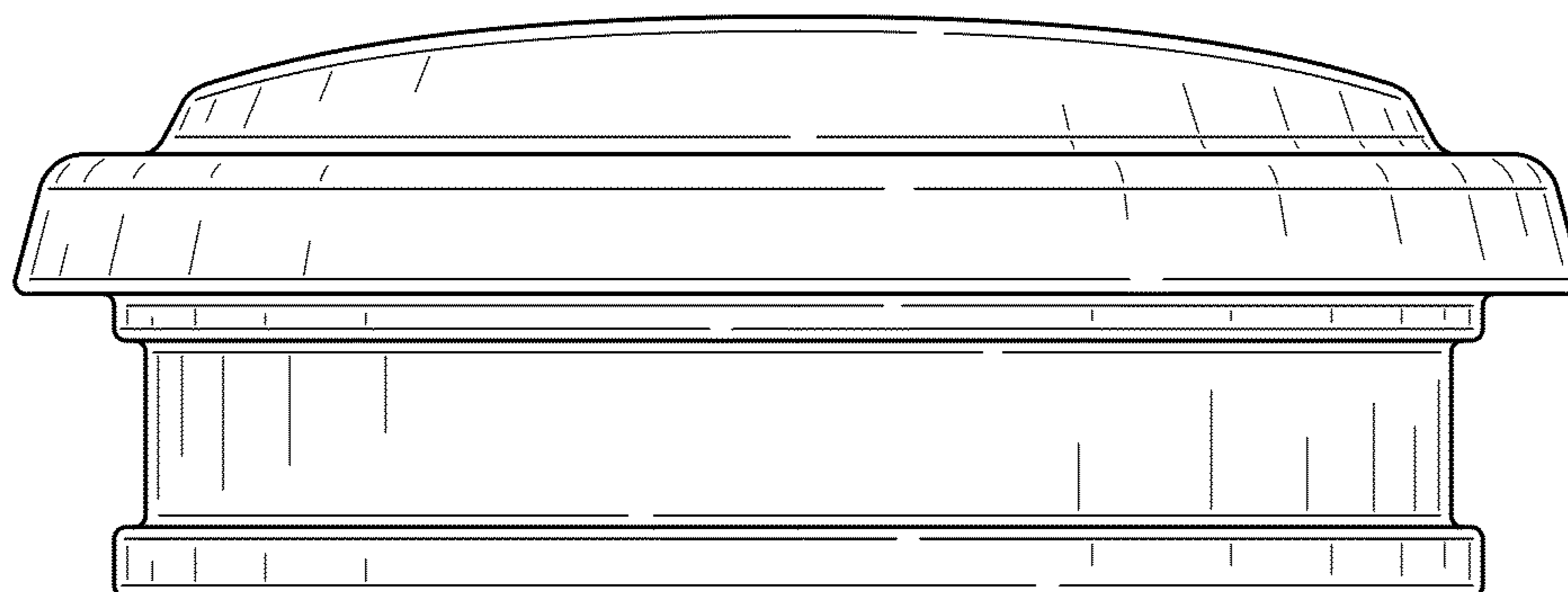


FIG. 2

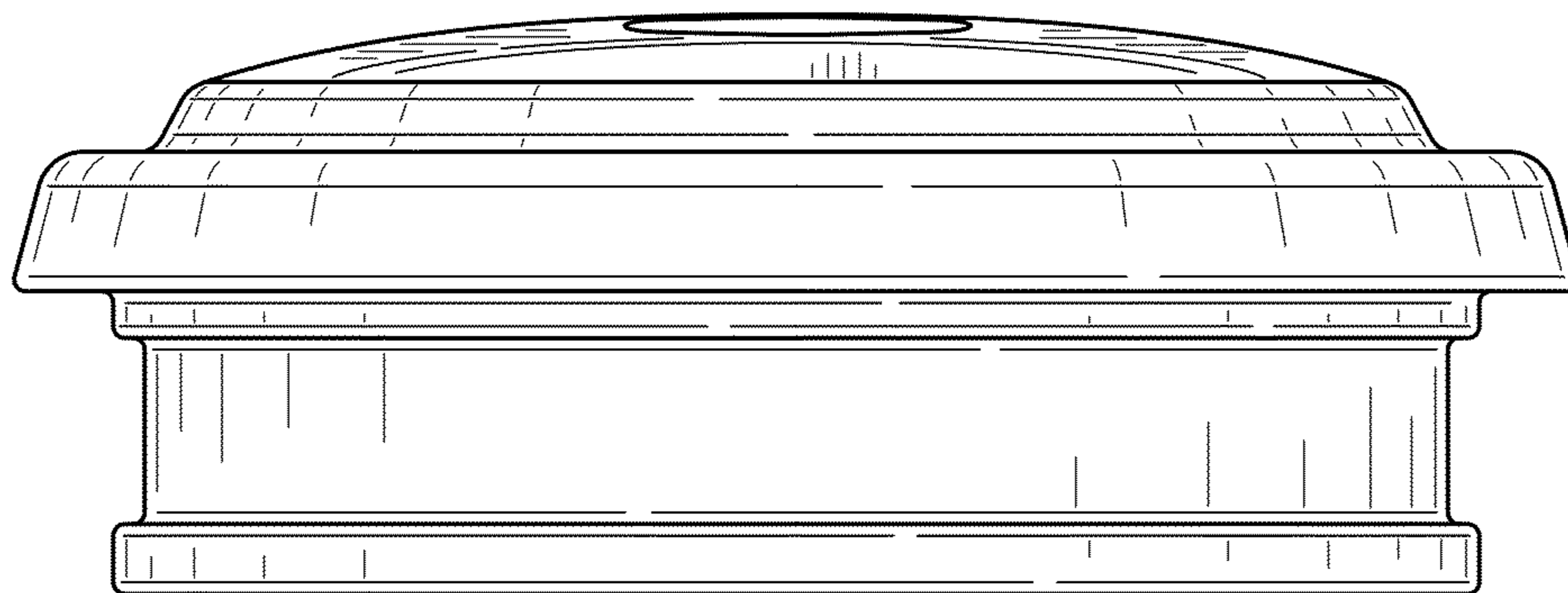


FIG. 3

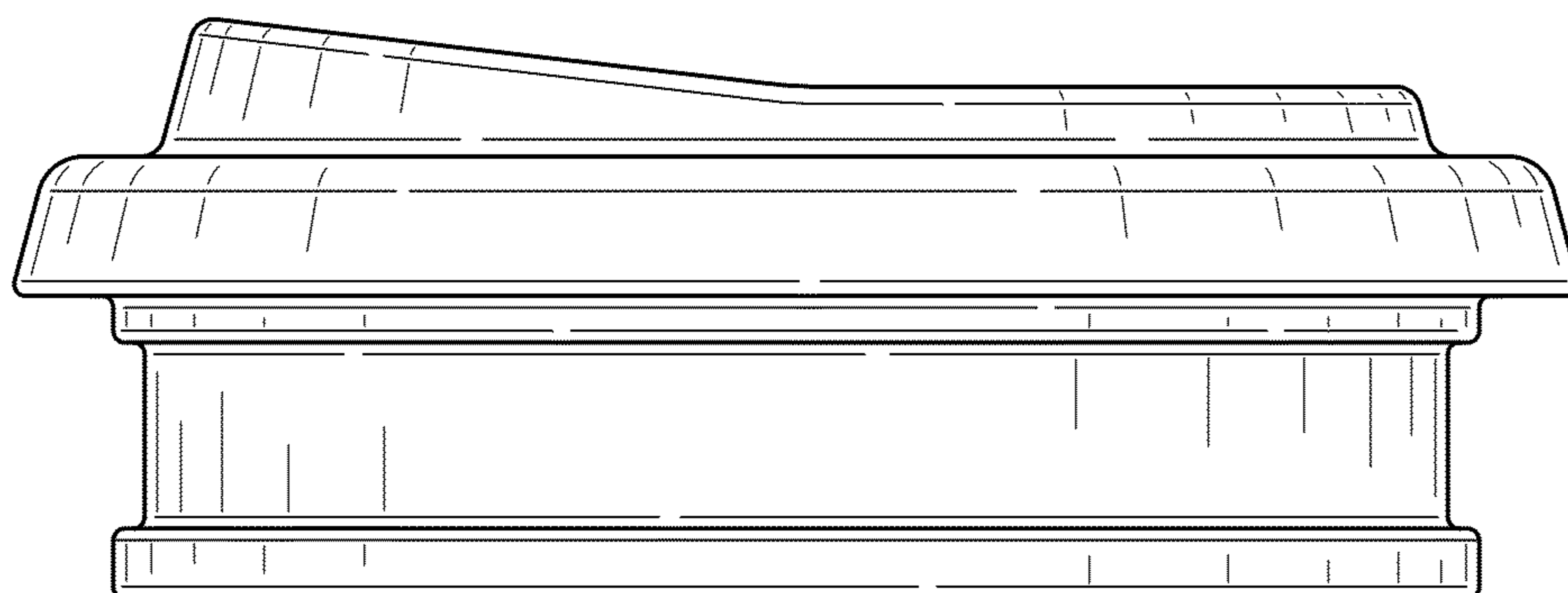


FIG. 4

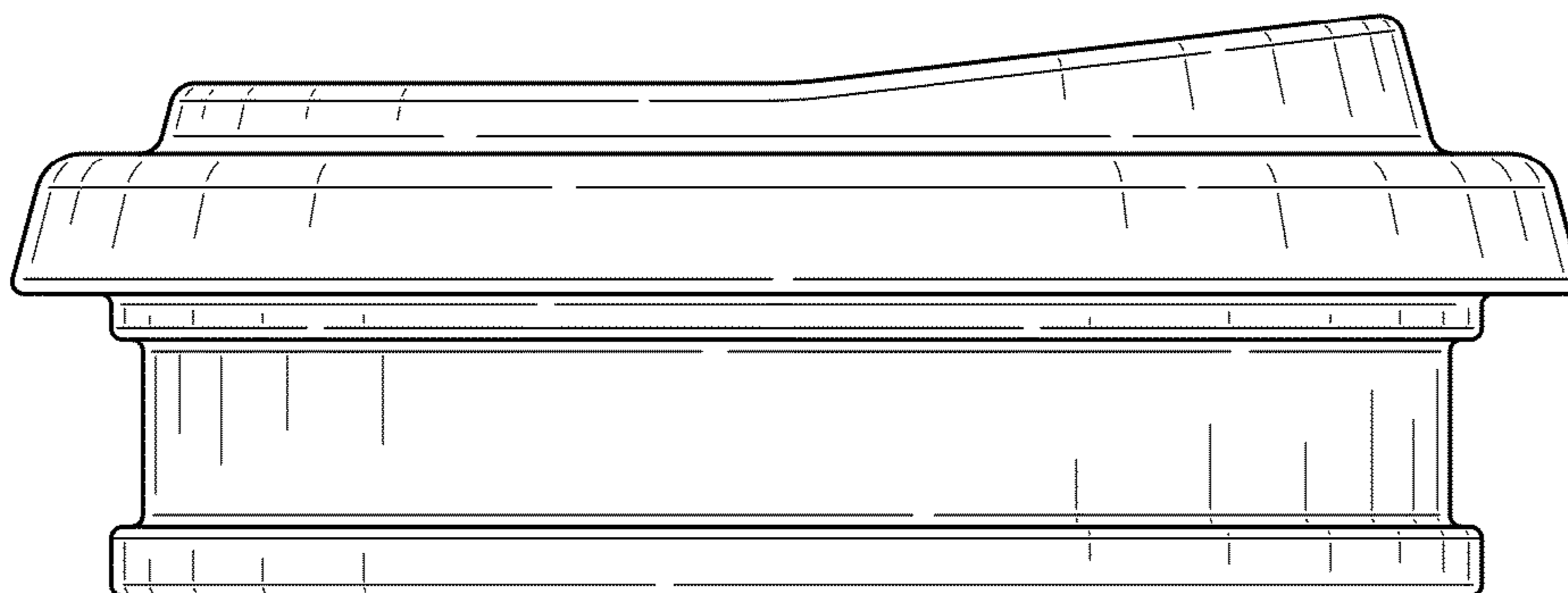


FIG. 5

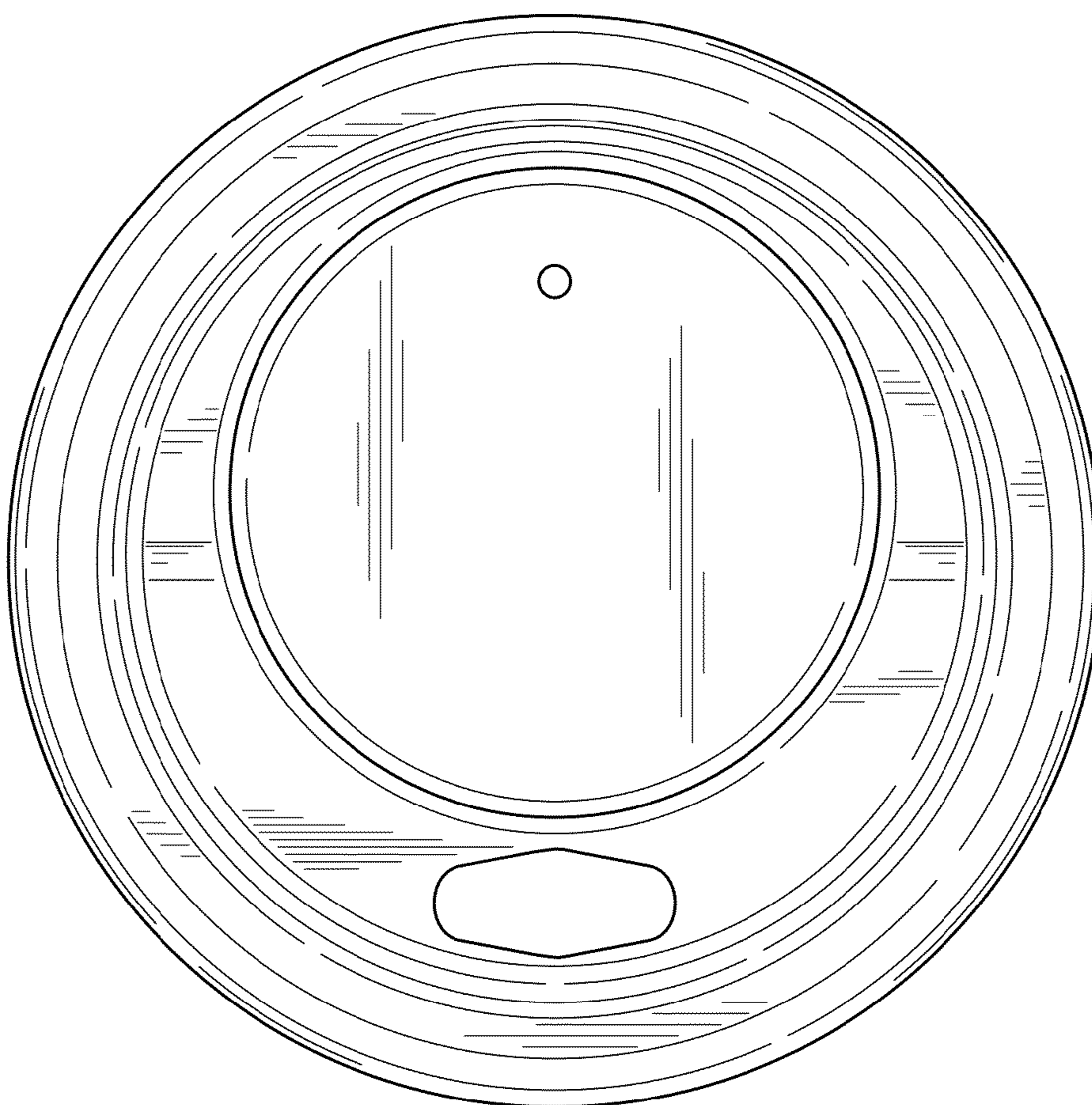


FIG. 6

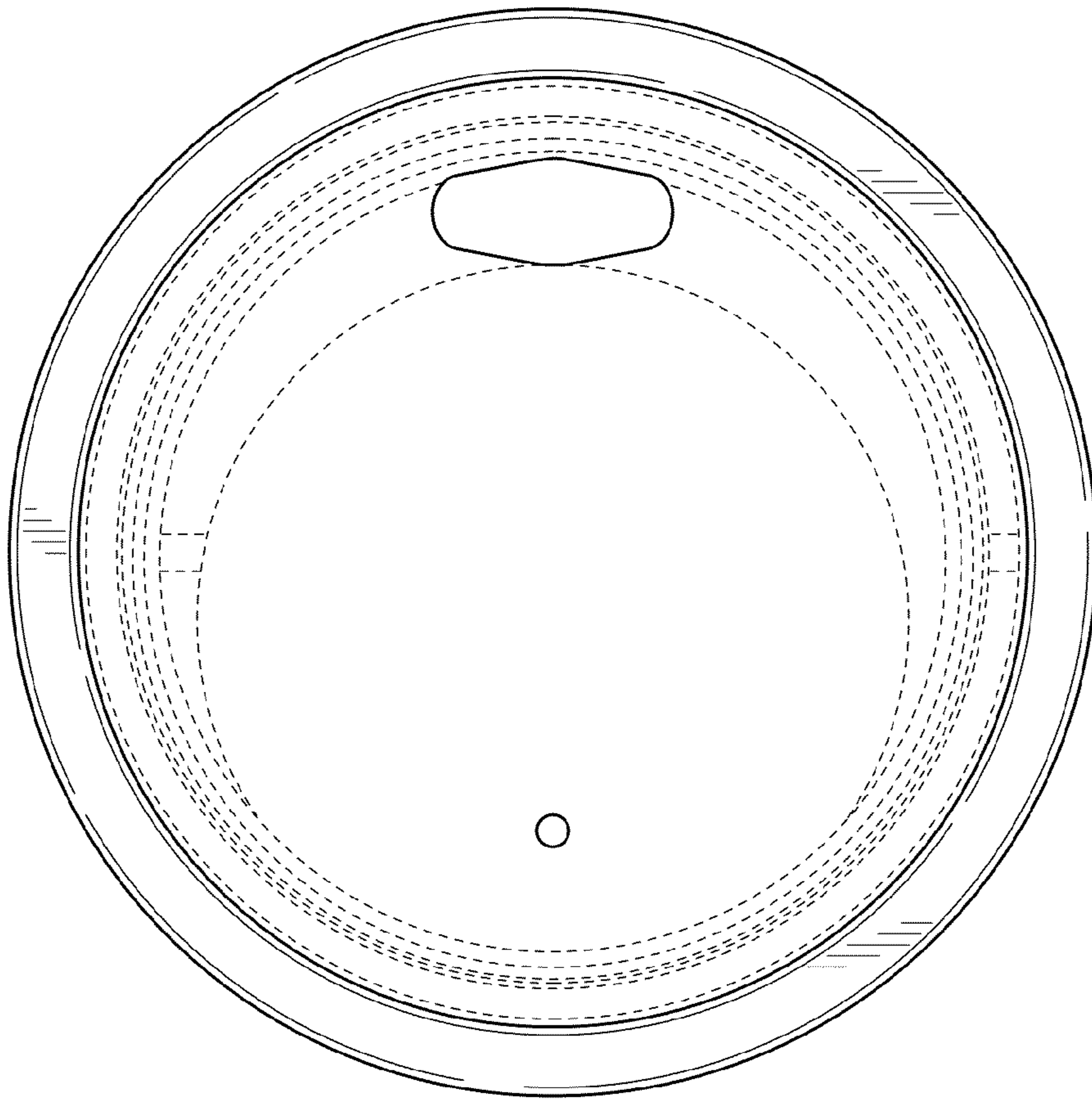


FIG. 7

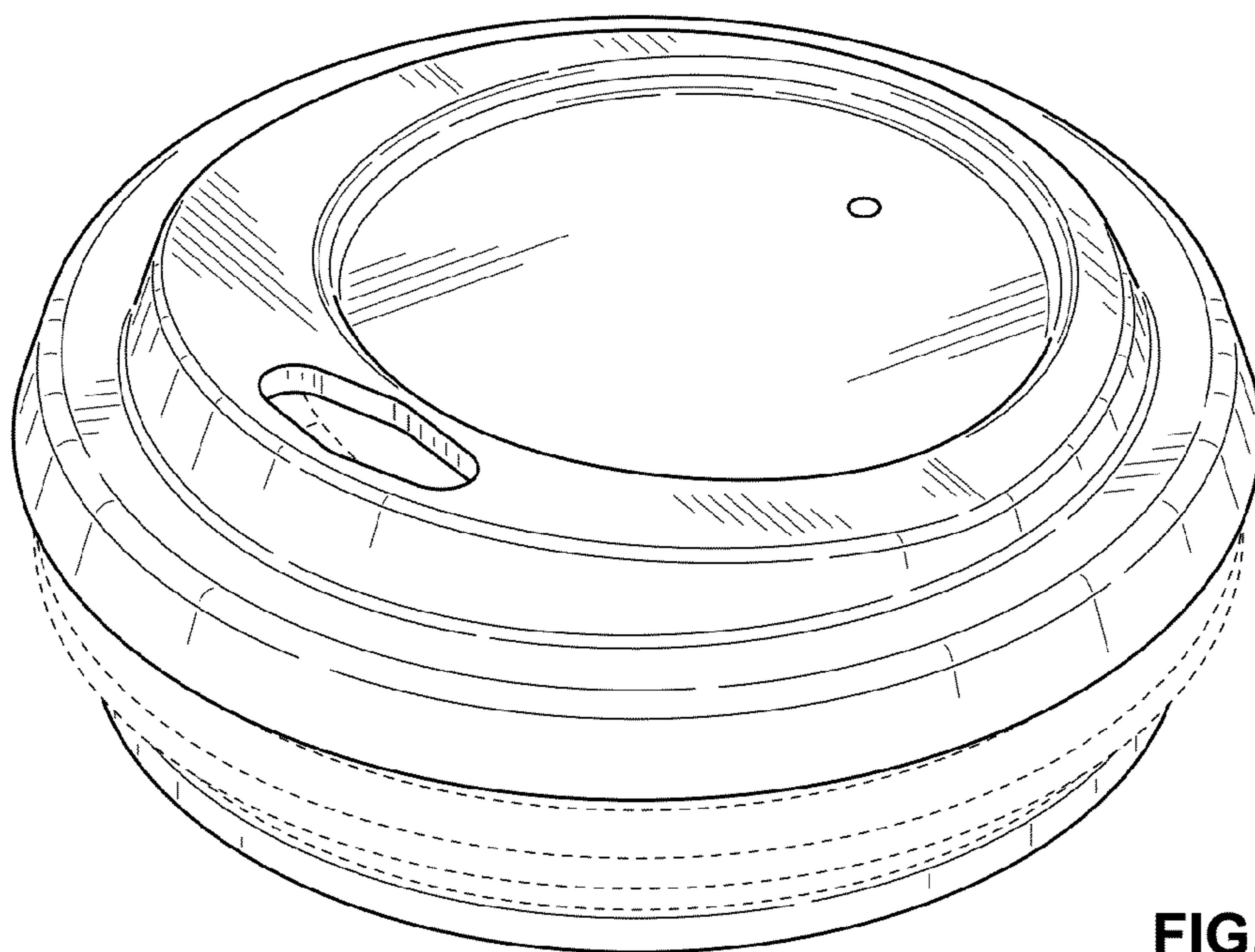


FIG. 8