



US00D737134S

(12) **United States Design Patent**
Thompson

(10) **Patent No.:** **US D737,134 S**

(45) **Date of Patent:** **** Aug. 25, 2015**

(54) **CABLE CLAMP**

(71) Applicant: **William J. Thompson**, Las Vegas, NV
(US)

(72) Inventor: **William J. Thompson**, Las Vegas, NV
(US)

(**) Term: **14 Years**

(21) Appl. No.: **29/480,655**

(22) Filed: **Jan. 28, 2014**

(51) **LOC (10) Cl.** **08-08**

(52) **U.S. Cl.**
USPC **D8/396**

(58) **Field of Classification Search**
USPC D8/72, 383, 394–396; 24/16 R, 283,
24/275–280; 285/236, 252, 253; 248/49,
248/61–63, 74.2, 316.1
CPC F16L 3/233; F16L 33/04; F16L 33/06;
F16L 33/10; F16L 21/005; F16L 3/26; B65D
63/14; H02G 7/10; H02G 7/053; A47K 10/14
See application file for complete search history.

(56) **References Cited**

U.S. PATENT DOCUMENTS

5,147,145	A	*	9/1992	Facey et al.	403/314
D336,535	S	*	6/1993	Maglica et al.	D26/138
D467,795	S	*	12/2002	Lyons	D8/395
D523,738	S	*	6/2006	Henson	D8/395
D533,509	S	*	12/2006	Wu	D13/149
D538,143	S	*	3/2007	Pu et al.	D8/394

D567,641	S	*	4/2008	Clarke	D8/383
D568,730	S	*	5/2008	Clarke	D8/383
D574,701	S	*	8/2008	Clarke	D8/383
D579,411	S	*	10/2008	Jowett	D13/133
D591,587	S	*	5/2009	Mason	D8/396
D620,346	S	*	7/2010	Gretz	D8/396
D620,786	S	*	8/2010	Gretz	D8/396
D622,583	S	*	8/2010	Parks et al.	D8/394
D639,151	S	*	6/2011	Giemza	D8/383
D664,031	S	*	7/2012	Kleiber, Jr.	D8/394
D717,159	S	*	11/2014	Lindberg et al.	D8/396

* cited by examiner

Primary Examiner — John Windmuller

Assistant Examiner — Steven Czyz

(57) **CLAIM**

The ornamental design for a cable clamp, as shown and described.

DESCRIPTION

FIG. 1 is a right side view of the cable clamp of the claimed design.

FIG. 2 is a back view of the cable clamp of the claimed design.

FIG. 3 is a front view of the cable clamp of the claimed design.

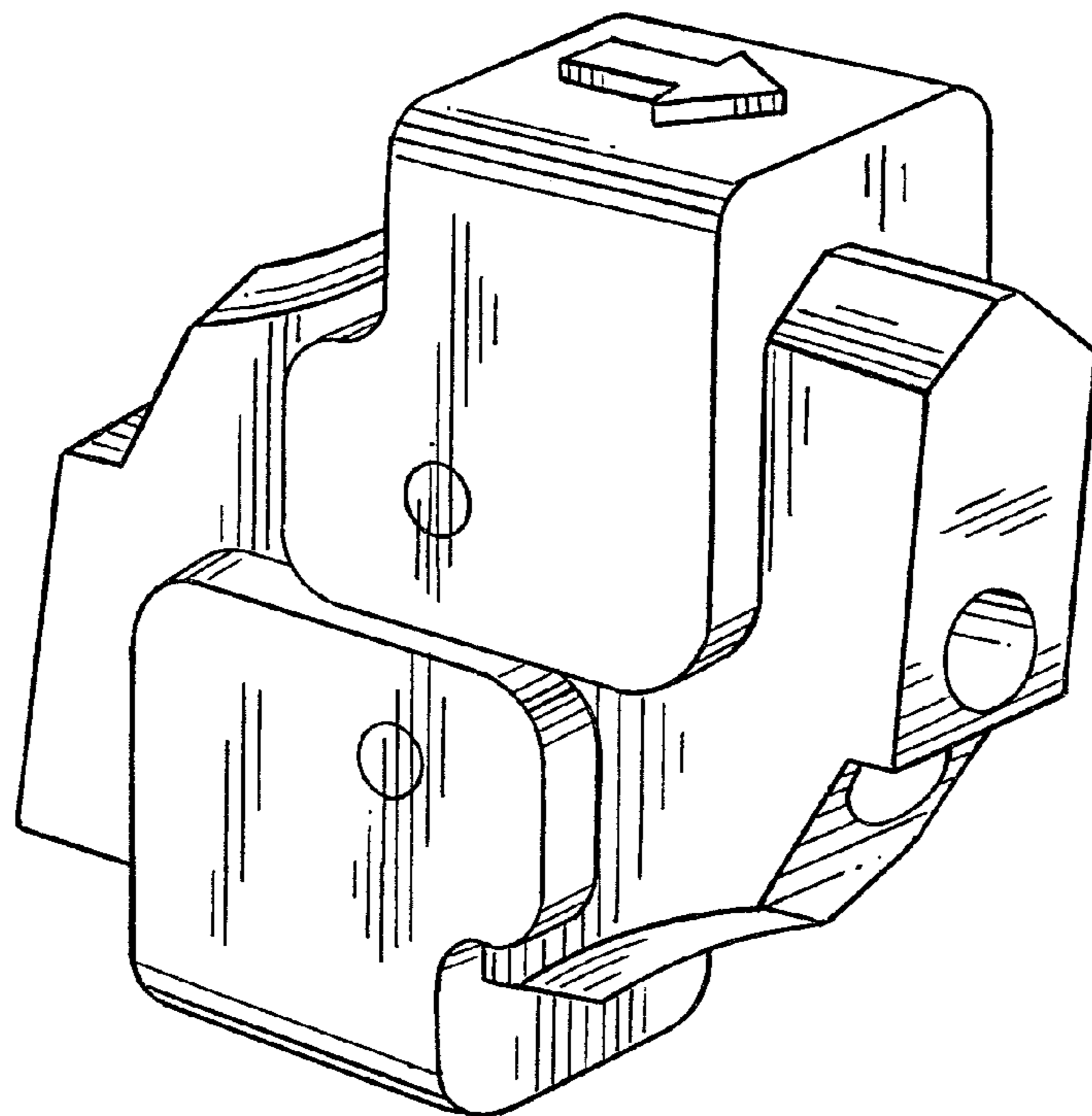
FIG. 4 is a left side view of the cable clamp of the claimed design.

FIG. 5 is a top view of the cable clamp of the claimed design.

FIG. 6 is a bottom view of the cable clamp of the claimed design; and,

FIG. 7 is a right side perspective view of the cable clamp of the claimed design.

1 Claim, 4 Drawing Sheets



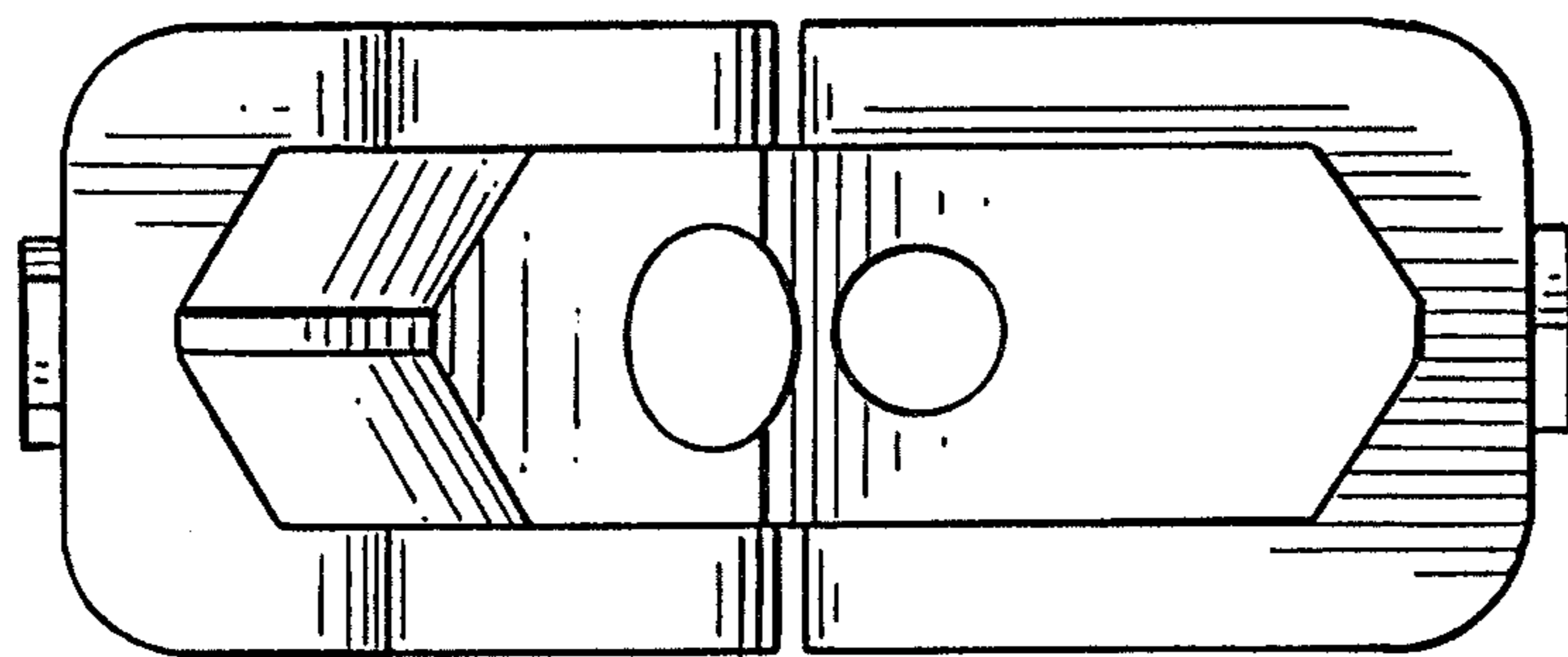


FIG. 2

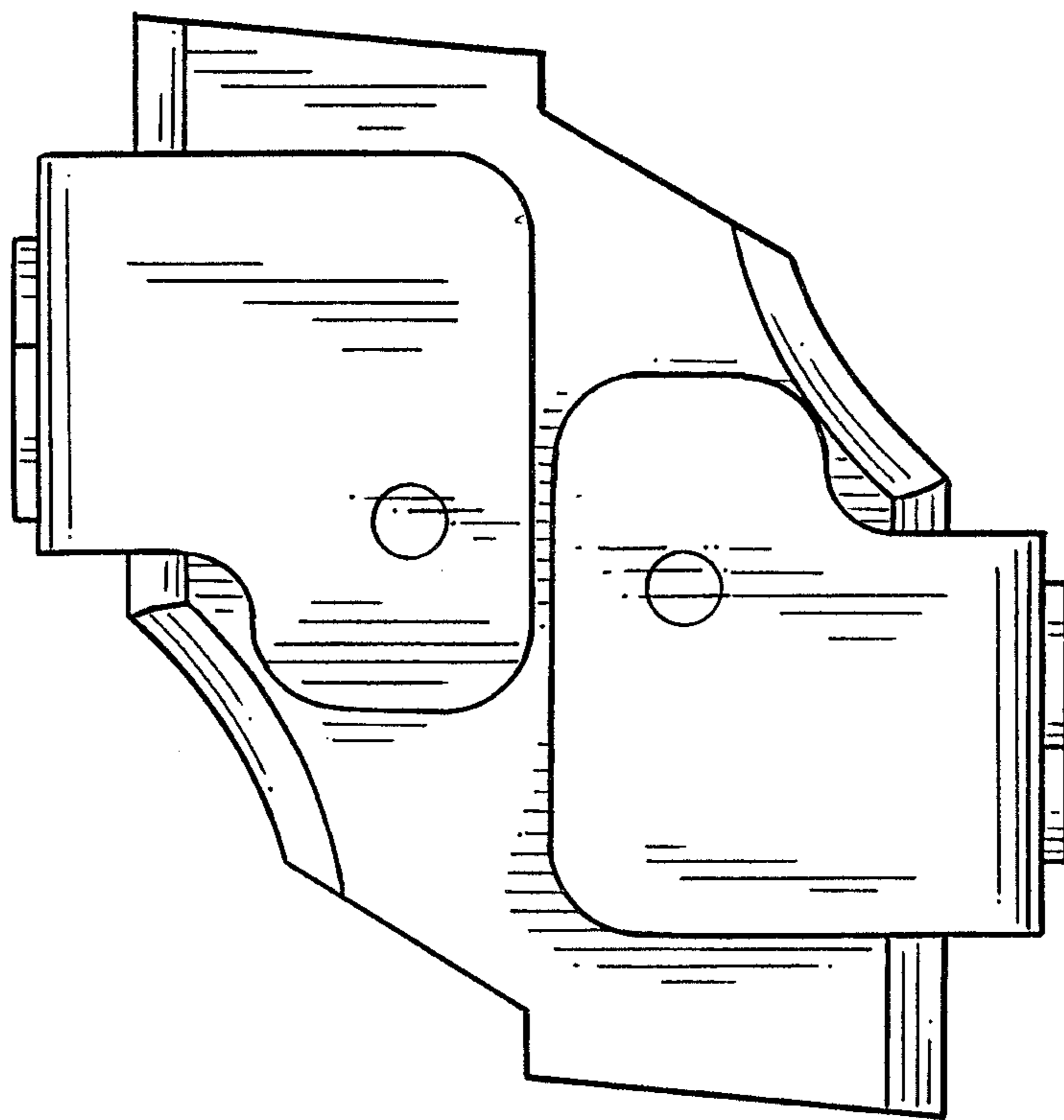


FIG. 1

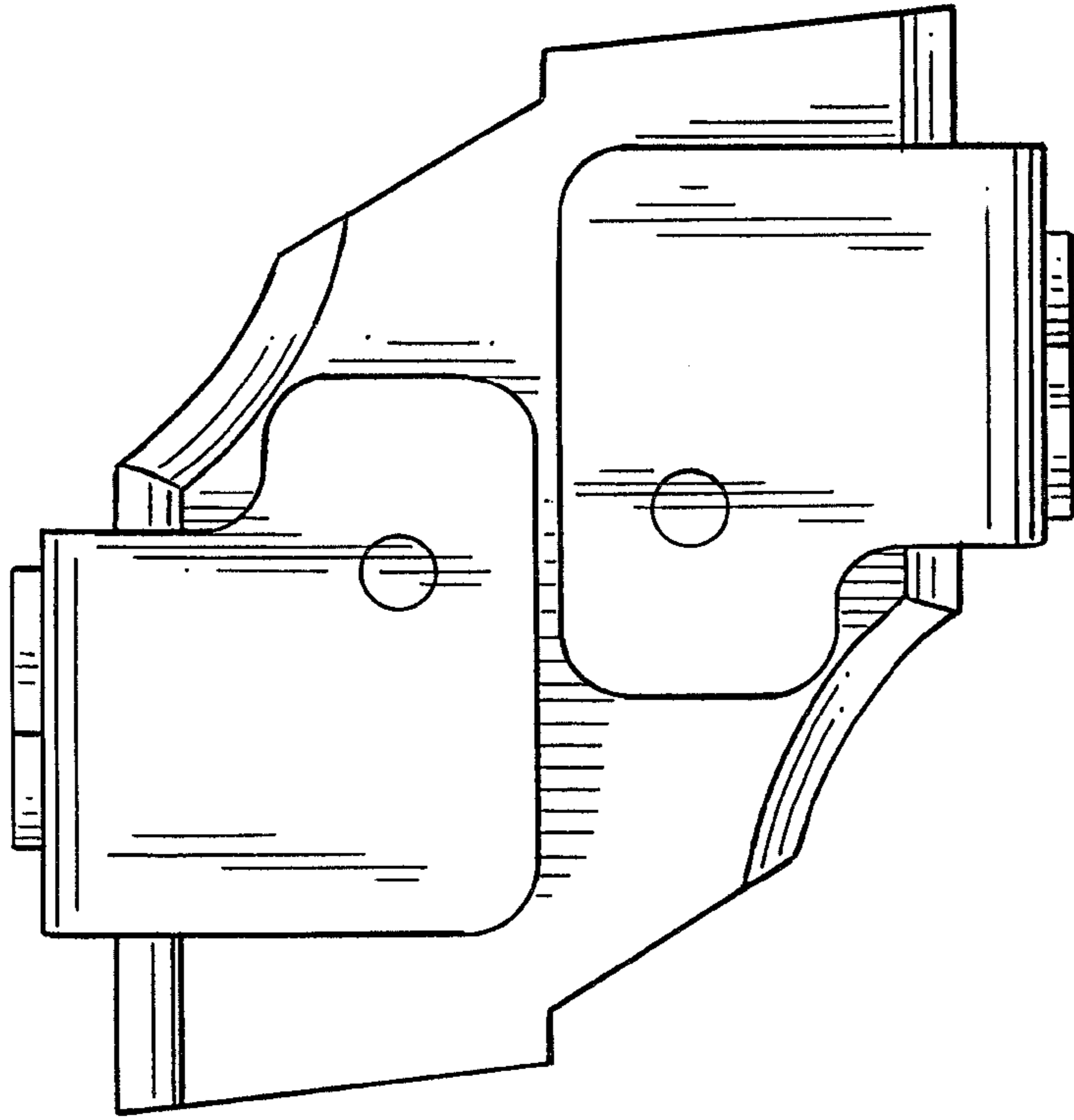


FIG. 4

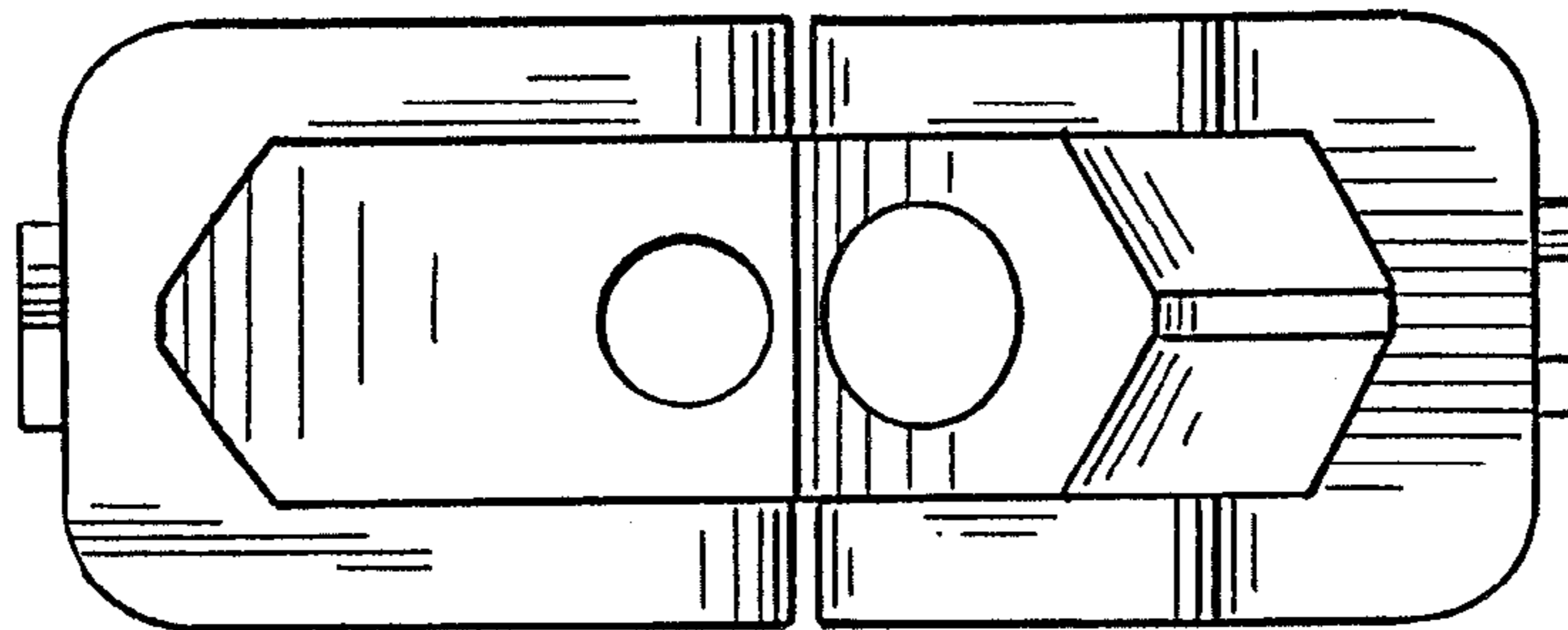


FIG. 3

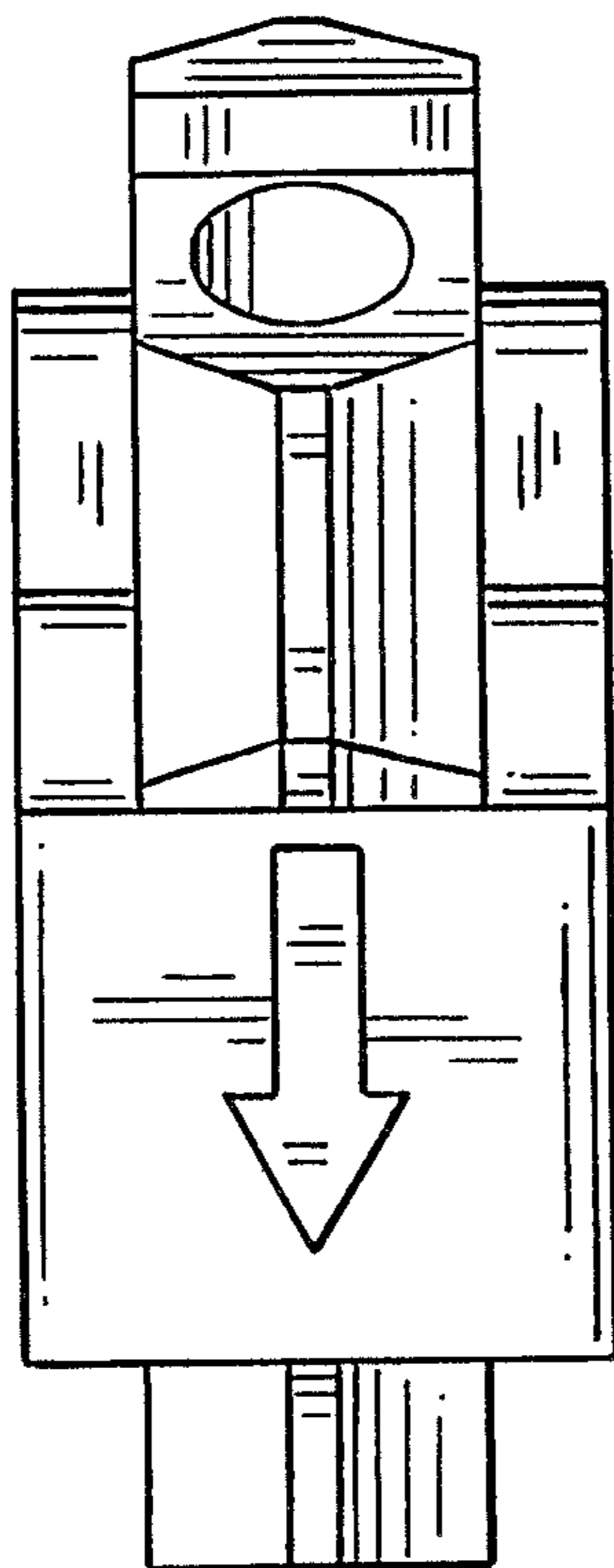


FIG. 6

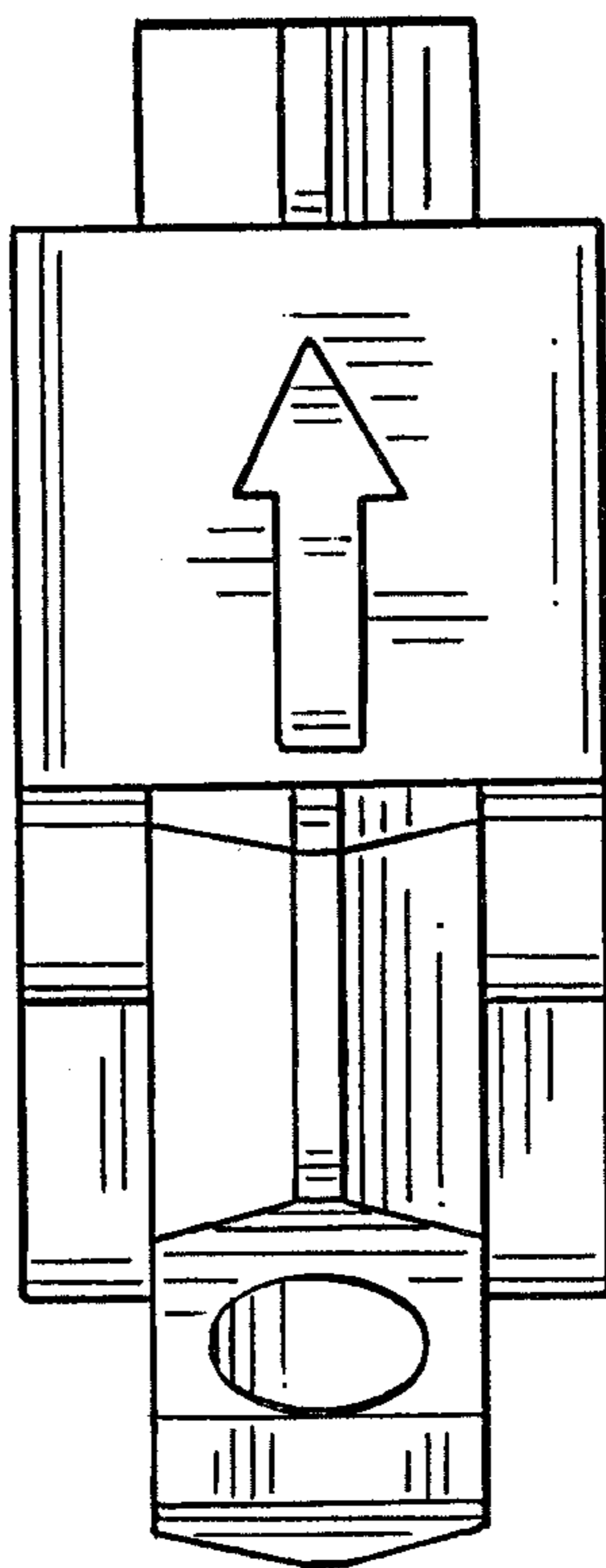


FIG. 5

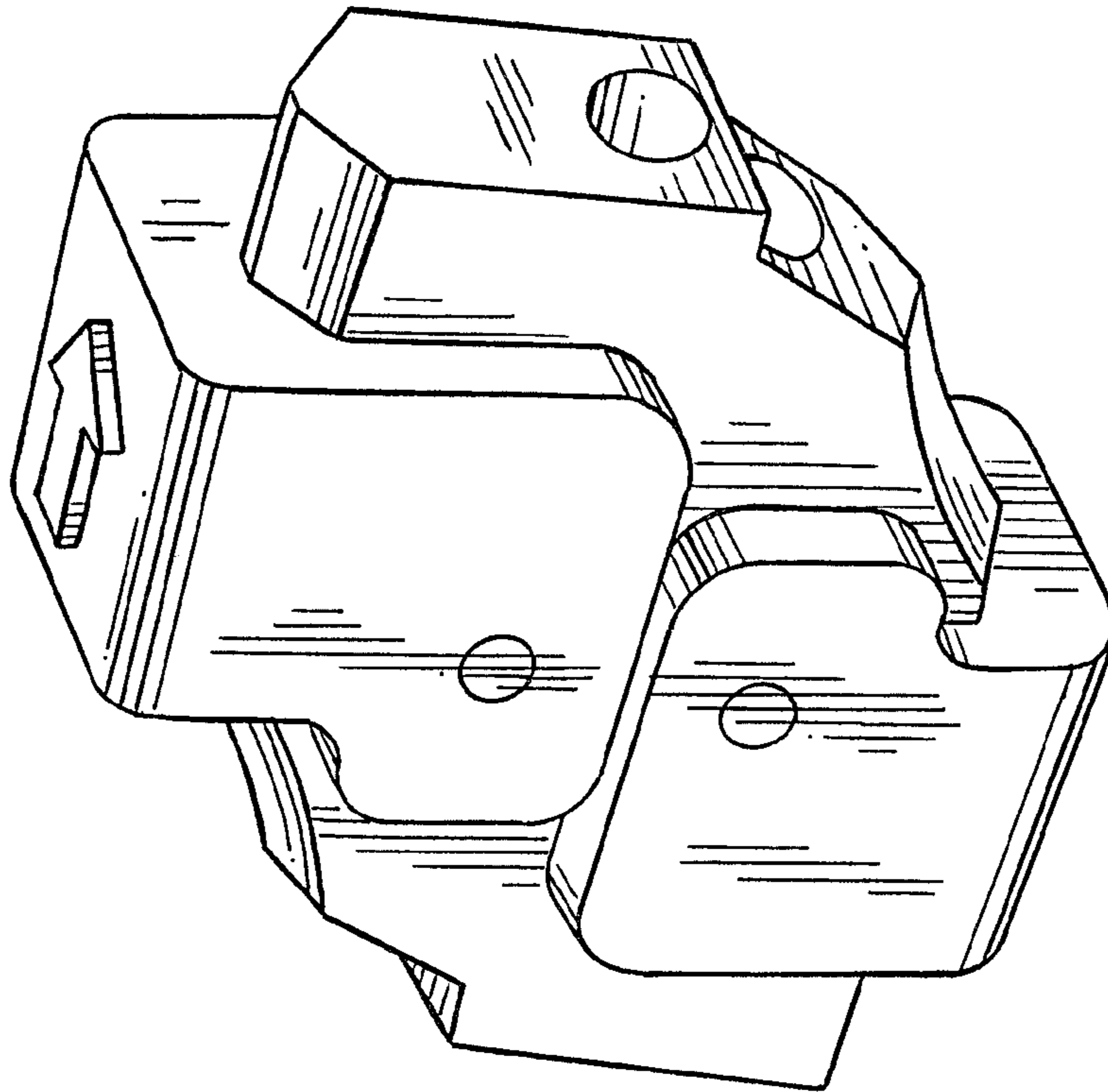


FIG. 7