



US00D737133S

(12) **United States Design Patent**
Sandman et al.

(10) **Patent No.:** **US D737,133 S**

(45) **Date of Patent:** **** Aug. 25, 2015**

(54) **CLAMPING MEMBER**

(71) Applicant: **LANGDON INCORPORATED**,
Cincinnati, OH (US)

(72) Inventors: **Joseph P. Sandman**, Morrow, OH (US);
Michael N. Sandman, Morrow, OH
(US)

(73) Assignee: **Langdon Incorporated**, Cincinnati, OH
(US)

(**) Term: **14 Years**

(21) Appl. No.: **29/439,187**

(22) Filed: **Dec. 7, 2012**

(51) **LOC (10) Cl.** **08-08**

(52) **U.S. Cl.**
USPC **D8/396**

(58) **Field of Classification Search**
USPC D8/394, 395, 396; D23/265;
D6/707.24; 292/256.69, 256.65, 317;
220/320, 321; 285/252, 253; 24/274 R,
24/279, 273
CPC F16L 33/02; F16L 3/04; F16L 3/12;
F16L 3/23; B29D 23/18; B29K 2021/00;
E05C 19/145; E05F 11/00
See application file for complete search history.

(56) **References Cited**

U.S. PATENT DOCUMENTS

D135,112	S *	2/1943	Jamison et al.	D8/394
2,775,806	A	1/1957	Love		
D275,059	S *	8/1984	Hoeffler	D8/395
4,885,122	A	12/1989	Stapleton		
5,219,088	A *	6/1993	Reina	220/321
5,277,458	A	1/1994	Tschann		
5,829,106	A	11/1998	Dams et al.		

D408,178	S	4/1999	Schwartz et al.		
D424,566	S *	5/2000	Baker	D14/217
6,405,411	B1 *	6/2002	Allemann et al.	24/19
D521,147	S *	5/2006	Sandman et al.	D23/393
D529,598	S *	10/2006	Sandman et al.	D23/393
D534,253	S *	12/2006	Sandman et al.	D23/269
D580,748	S *	11/2008	Polak et al.	D8/394

(Continued)

OTHER PUBLICATIONS

SMACNA, Fire Damper Guide, Fifth Edition, Sep. 2002, Chapter 5, Fire Damper Installation, pp. 5.1-5.13; Chapter 7, Damper Types, pp. 7.1-7.6; and Chapter 8, Access Doors and Fire Doors, pp. 8.1-8.3.

Primary Examiner — John Windmuller

Assistant Examiner — Steven Czyz

(74) *Attorney, Agent, or Firm* — Wood, Herron & Evans, LLP

(57) **CLAIM**

We claim the ornamental design for the clamping member, as shown and described.

DESCRIPTION

The present application is related to U.S. Ser. No. 13/708,287 and U.S. Ser. No. 29/439,188, each filed on even date herewith.

FIG. 1 is an isometric view of our new clamping member design;

FIG. 2 is a front elevational view thereof shown in FIG. 1;

FIG. 3 is a right elevational view thereof shown in FIG. 1;

FIG. 4 is a rear elevational view thereof shown in FIG. 1;

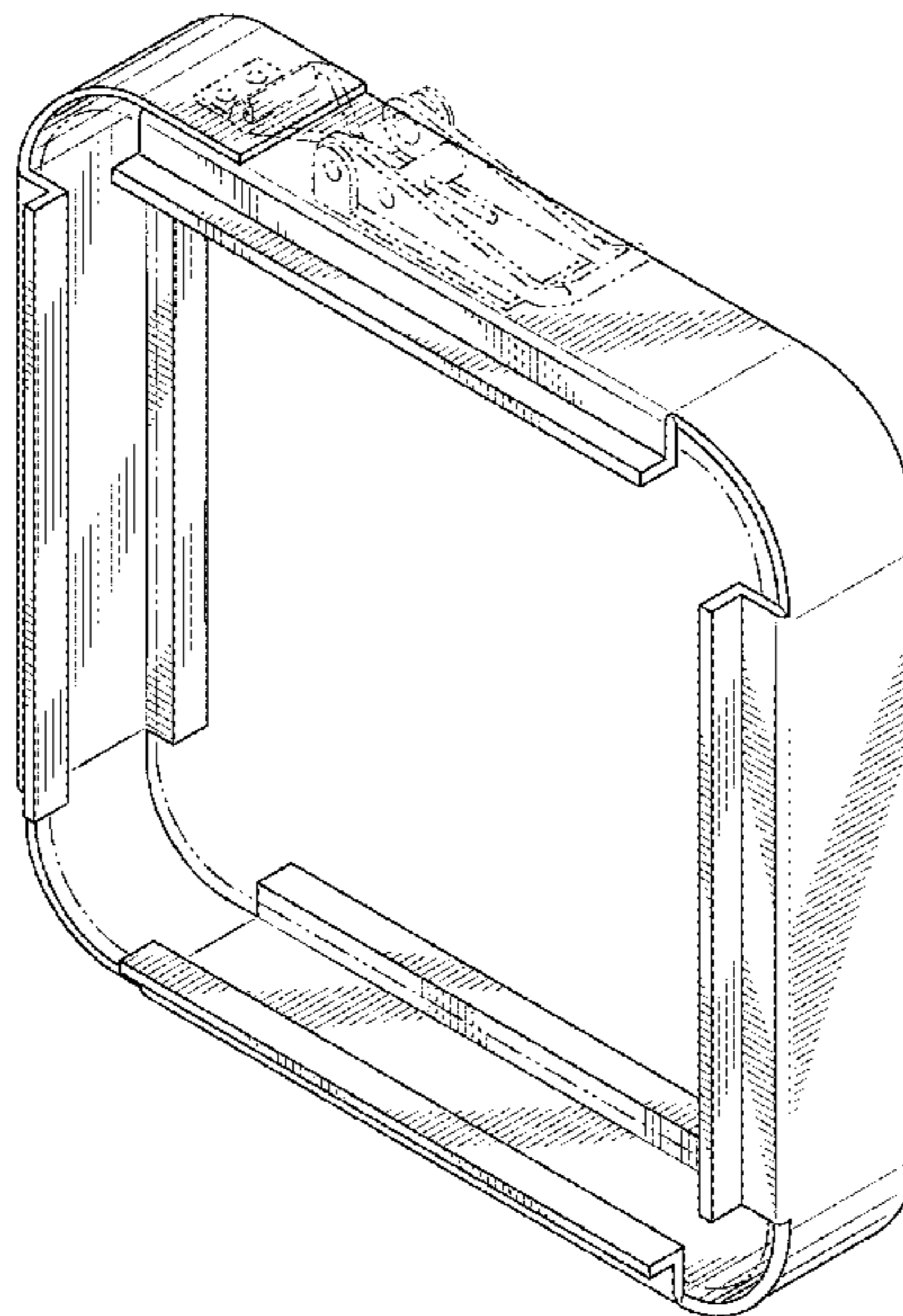
FIG. 5 is a left elevational view thereof shown in FIG. 1;

FIG. 6 is a top view thereof shown in FIG. 1; and,

FIG. 7 is a bottom view thereof shown in FIG. 1.

The broken line portion of the figure drawings is included to show unclaimed subject matter only and forms no part of the claimed design.

1 Claim, 4 Drawing Sheets



(56)

References Cited

U.S. PATENT DOCUMENTS

7,523,964	B2 *	4/2009	Sandman et al.	285/110	8,267,556	B2 *	9/2012	Liu	362/427
7,868,845	B2 *	1/2011	Gratton et al.	343/878	D703,032	S *	4/2014	Bigdeliazari	D8/396
7,997,112	B2 *	8/2011	Sandman et al.	72/105	D703,033	S *	4/2014	Karlsson	D8/396
D647,394	S *	10/2011	Taylor	D8/396	D723,362	S *	3/2015	Bacon	D8/396
D650,889	S *	12/2011	van Walraven	D23/265	2006/0097524	A1 *	5/2006	Stolzman	292/256.69
D654,785	S *	2/2012	Clorley	D8/396	2006/0220395	A1 *	10/2006	Kuzelka	292/256.69
					2009/0083962	A1	4/2009	Sandman et al.	
					2009/0294449	A1 *	12/2009	Taylor	220/321
					2010/0038902	A1 *	2/2010	Sandman et al.	285/337

* cited by examiner

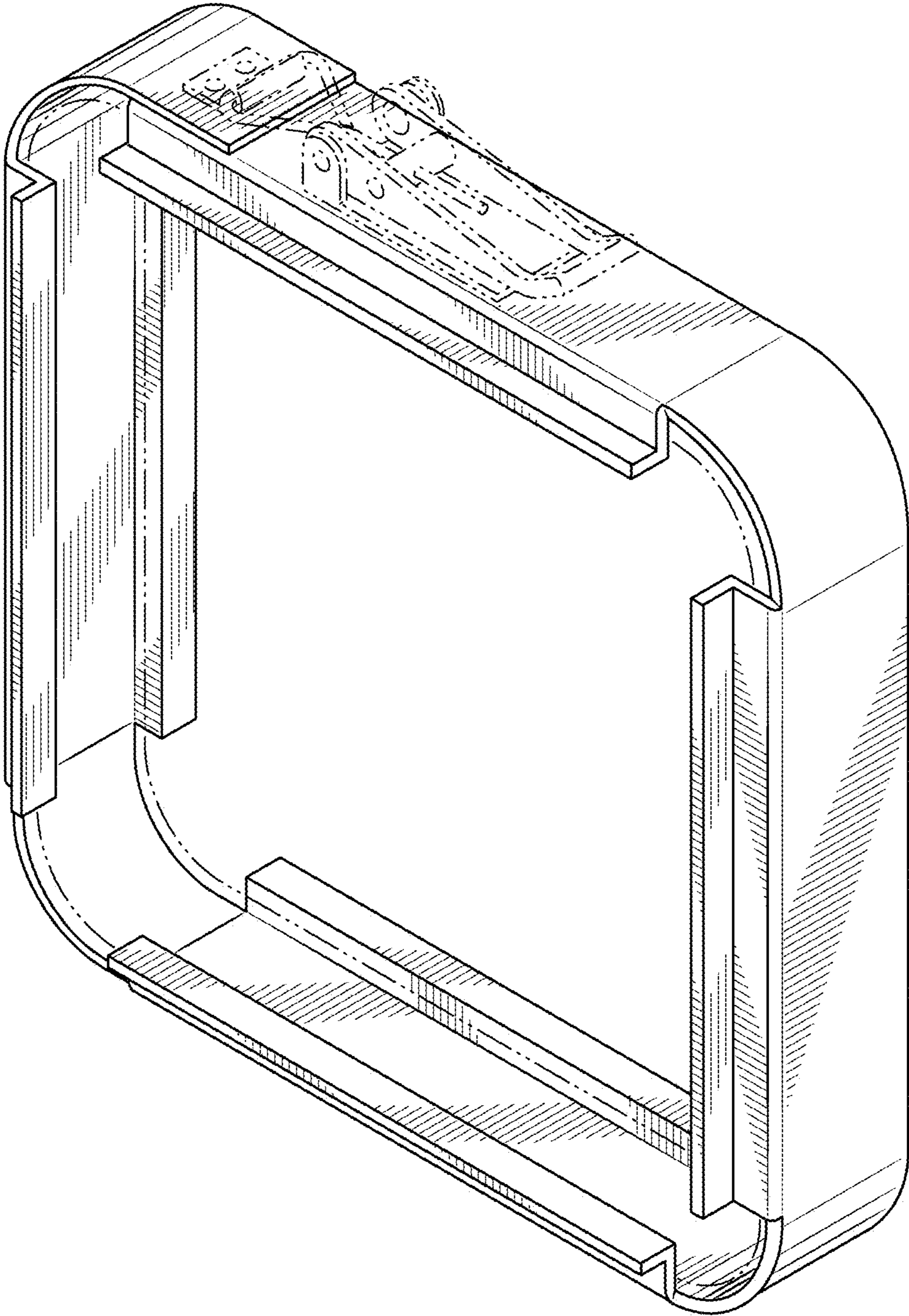


FIG. 1

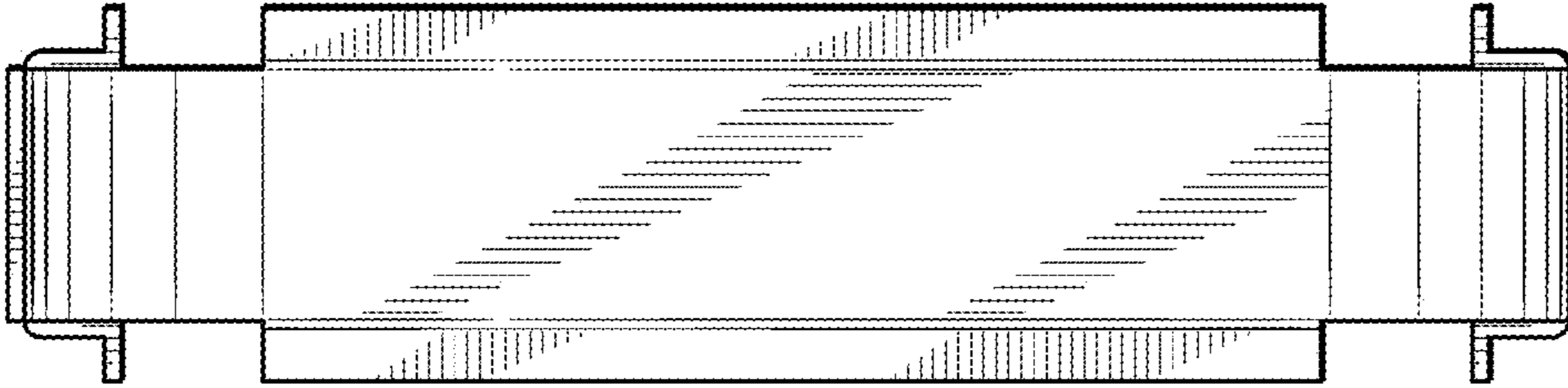


FIG. 3

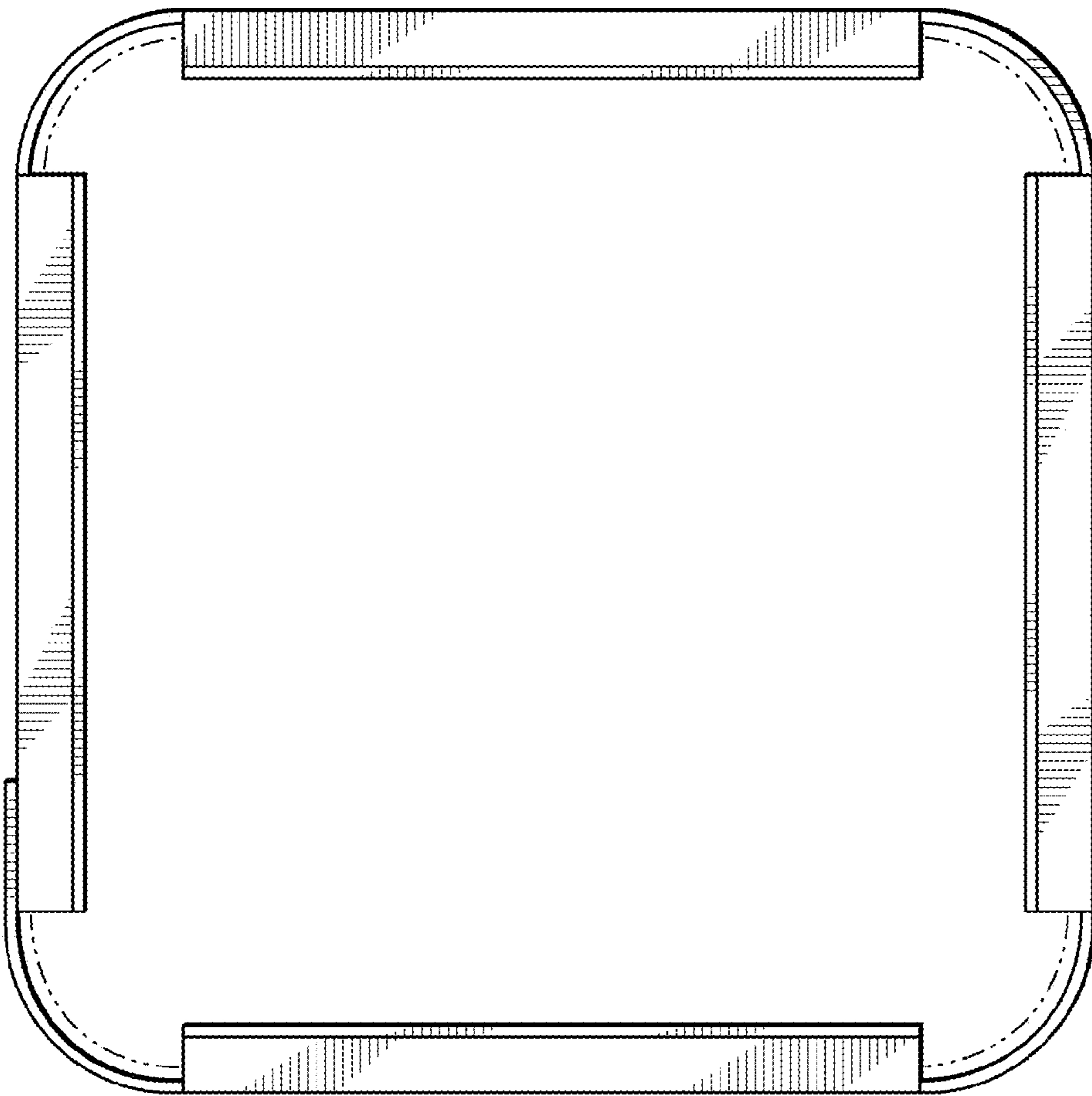


FIG. 2

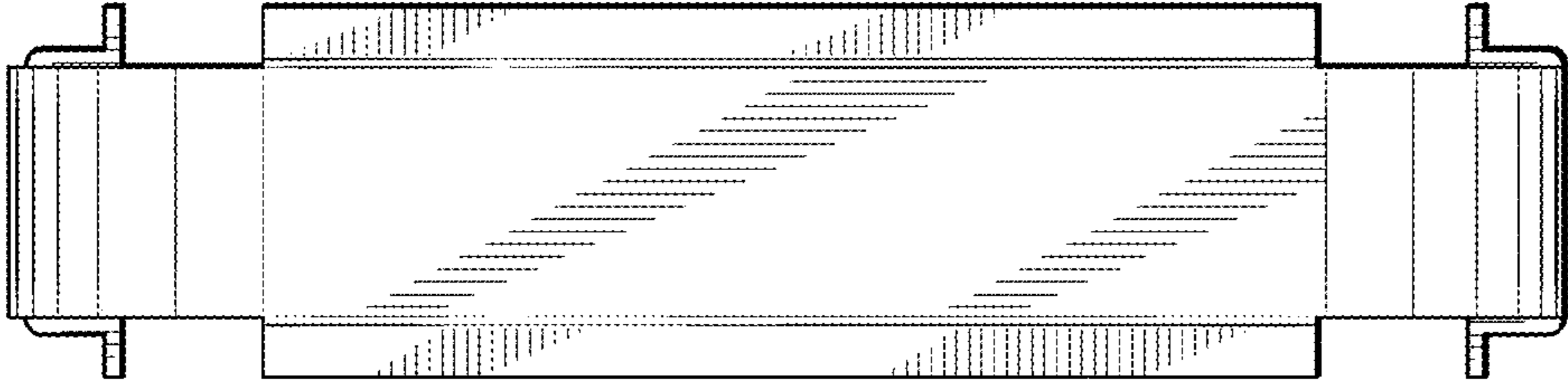


FIG. 5

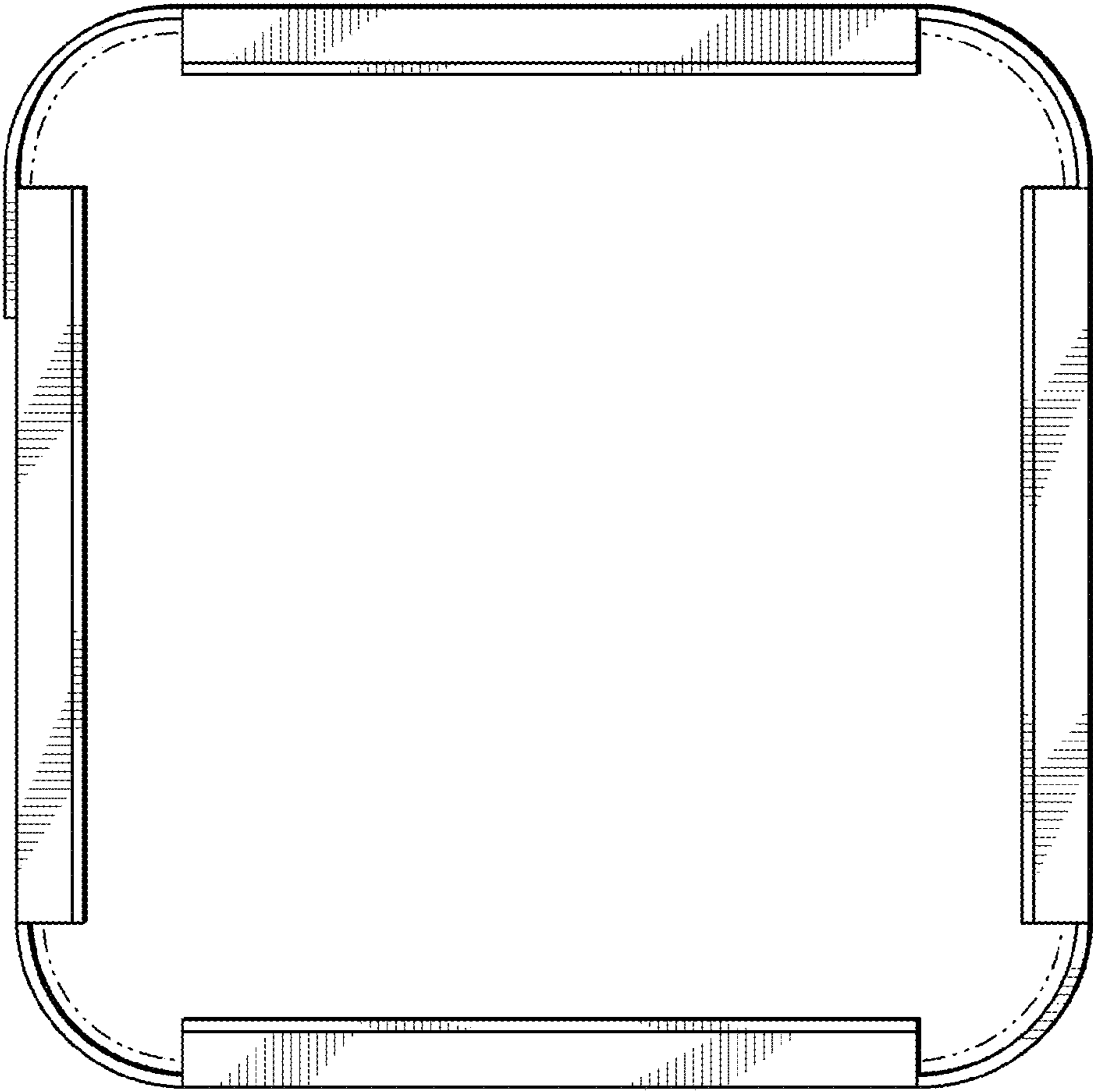


FIG. 4

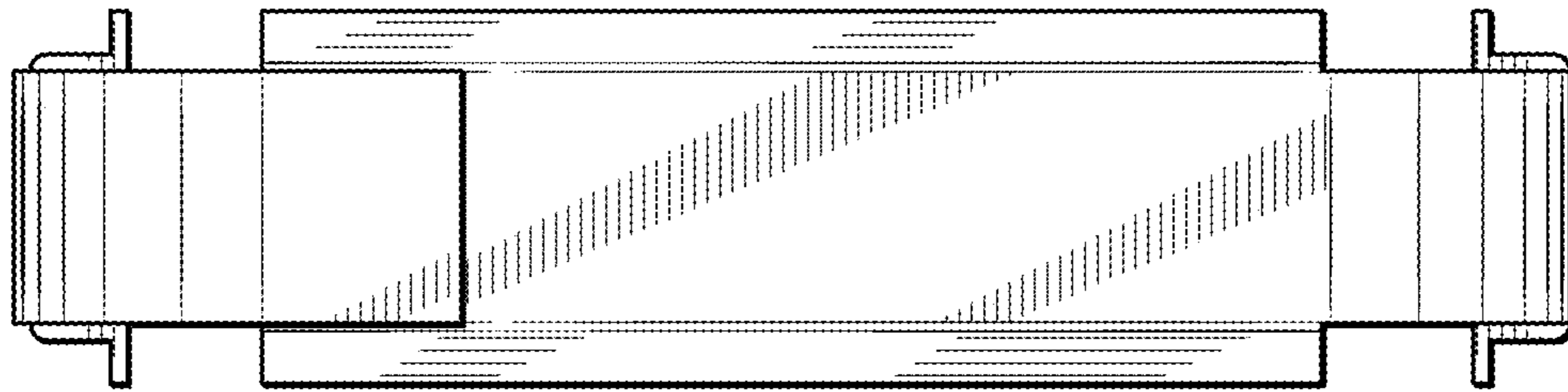


FIG. 6

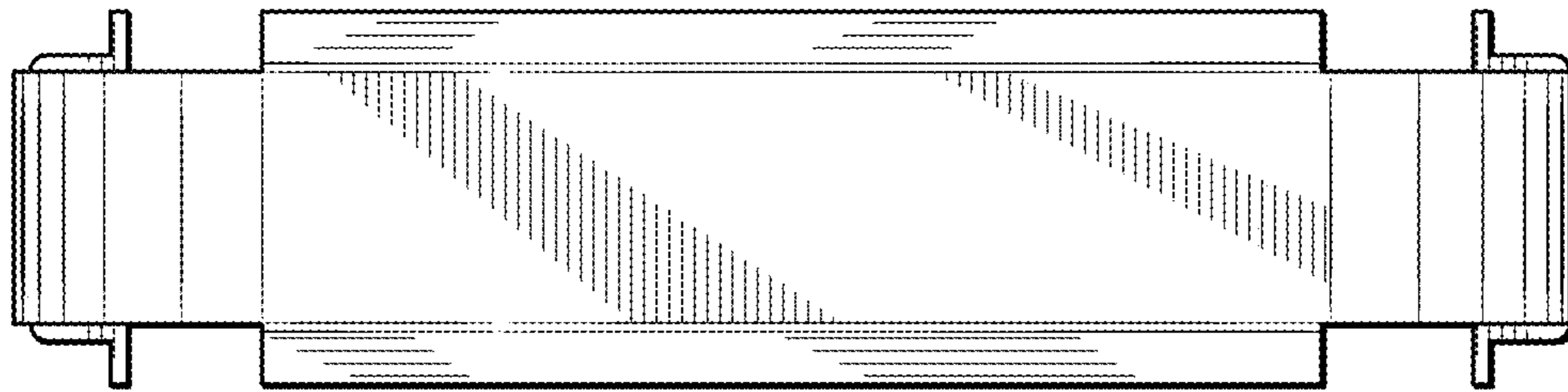


FIG. 7