



US00D737132S

(12) **United States Design Patent**
Garcia

(10) **Patent No.:** **US D737,132 S**

(45) **Date of Patent:** **** Aug. 25, 2015**

- (54) **CLIP**
- (71) Applicant: **3M INNOVATIVE PROPERTIES COMPANY**, St. Paul, MN (US)
- (72) Inventor: **Debora R. Garcia**, Sumaré (BR)
- (73) Assignee: **3M INNOVATIVE PROPERTIES COMPANY**, St. Paul, MN (US)

D599,651	S	*	9/2009	Riggsbee	D8/395
D620,785	S	*	8/2010	St. Germaine	D8/395
7,850,506	B2	*	12/2010	Nelson et al.	446/220
D637,220	S	*	5/2011	Levine	D16/135
D653,828	S		2/2012	Seehoff		
D661,911	S	*	6/2012	Kacines	D6/323
D673,032	S	*	12/2012	Tak et al.	D8/395
D677,562	S	*	3/2013	Kachler	D8/395
2012/0240330	A1		9/2012	Fulford		

- (**) Term: **14 Years**
- (21) Appl. No.: **29/475,937**
- (22) Filed: **Dec. 9, 2013**

Related U.S. Application Data

- (62) Division of application No. 29/451,150, filed on Mar. 28, 2013, now Pat. No. Des. 697,787.
- (51) **LOC (10) Cl.** **08-08**
- (52) **U.S. Cl.**
USPC **D8/395**
- (58) **Field of Classification Search**
USPC D8/394-396, 72, 367, 373; D19/56, 65, D19/86; 24/67.3; D32/60-64; D28/40
See application file for complete search history.

(56) **References Cited**

U.S. PATENT DOCUMENTS

462,358	A	*	11/1891	Knowles	24/511
641,893	A		1/1900	Roberts		
684,003	A		10/1901	Steppe		
1,052,016	A		2/1913	Schuh		
D238,853	S	*	2/1976	Kruger	D8/395
D295,811	S	*	5/1988	Larsson	D6/326
D354,873	S		1/1995	Odbert		
D481,618	S	*	11/2003	Felsenthal	D8/373
D520,078	S	*	5/2006	Pollack	D21/453
D552,461	S	*	10/2007	Oas	D8/395

FOREIGN PATENT DOCUMENTS

BR	MU 6500387	3/1985
BR	MU 7101175	2/1993
BR	MU 7700483-3	12/1998
BR	MU 8300263-4	11/2004
BR	MU 8403411-4	8/2006
BR	MU 8501177-0	11/2006
BR	PI0806129-7	9/2010

* cited by examiner

Primary Examiner — John Windmuller

(74) *Attorney, Agent, or Firm* — Irina Hass

(57) **CLAIM**

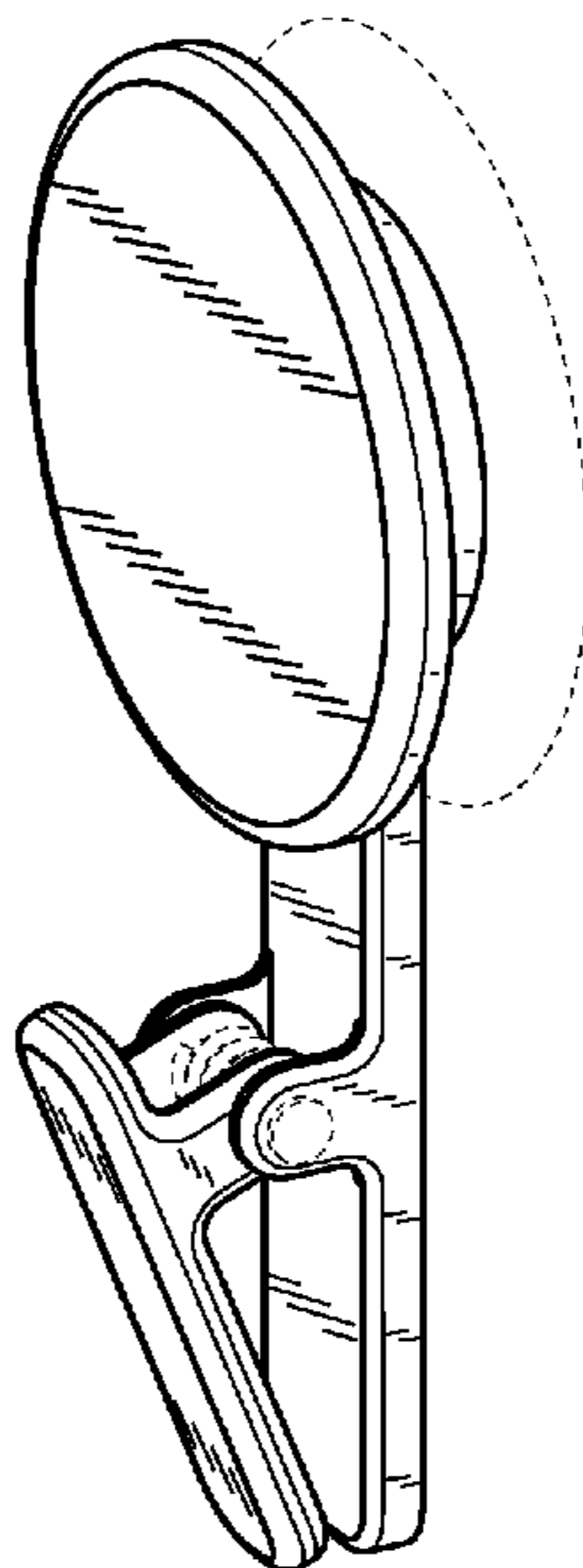
The ornamental design for a clip, as shown and described.

DESCRIPTION

FIG. 1 is a perspective view of a clip showing the new design; FIG. 2 is a right side view thereof, the left side view being a mirror image thereof; FIG. 3 is a bottom view thereof; FIG. 4 is a top view thereof; FIG. 5 is a front view thereof; FIG. 6 is a rear view thereof; and, FIG. 7 is a perspective view thereof showing the clip with a sponge.

The broken lines in the drawings are shown for illustrative purposes only and form no part of the claimed design.

1 Claim, 3 Drawing Sheets



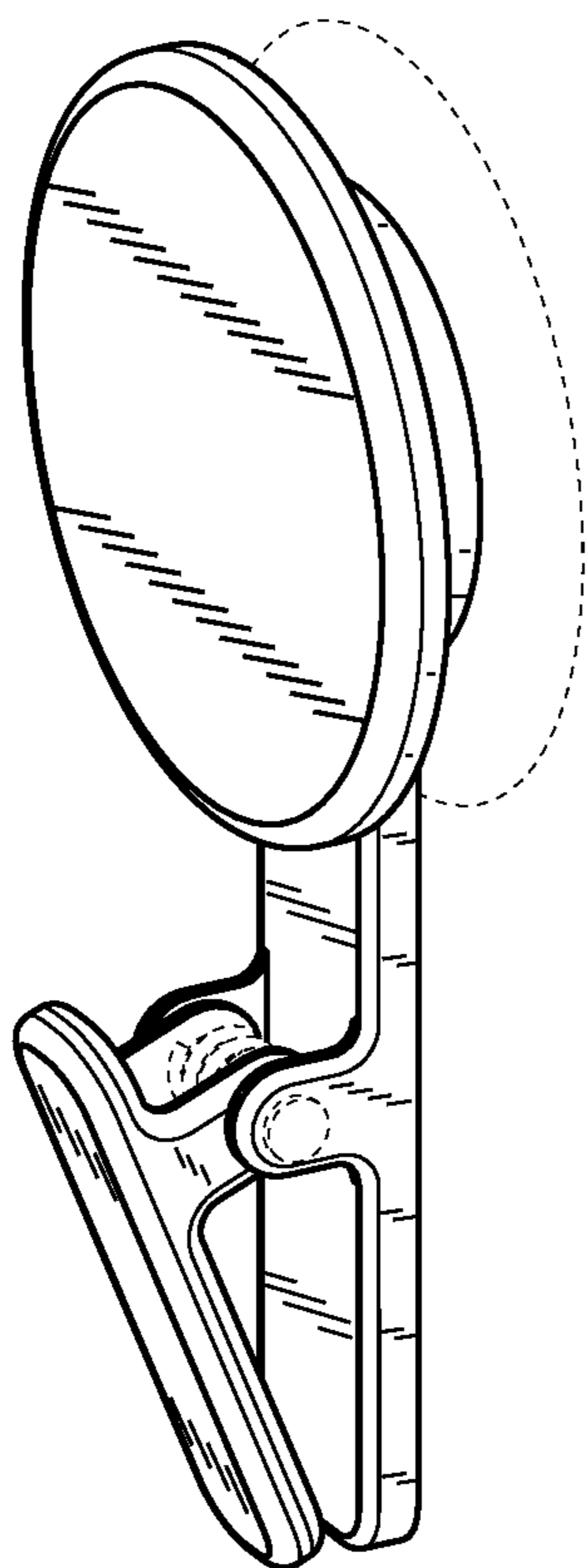


FIG. 1

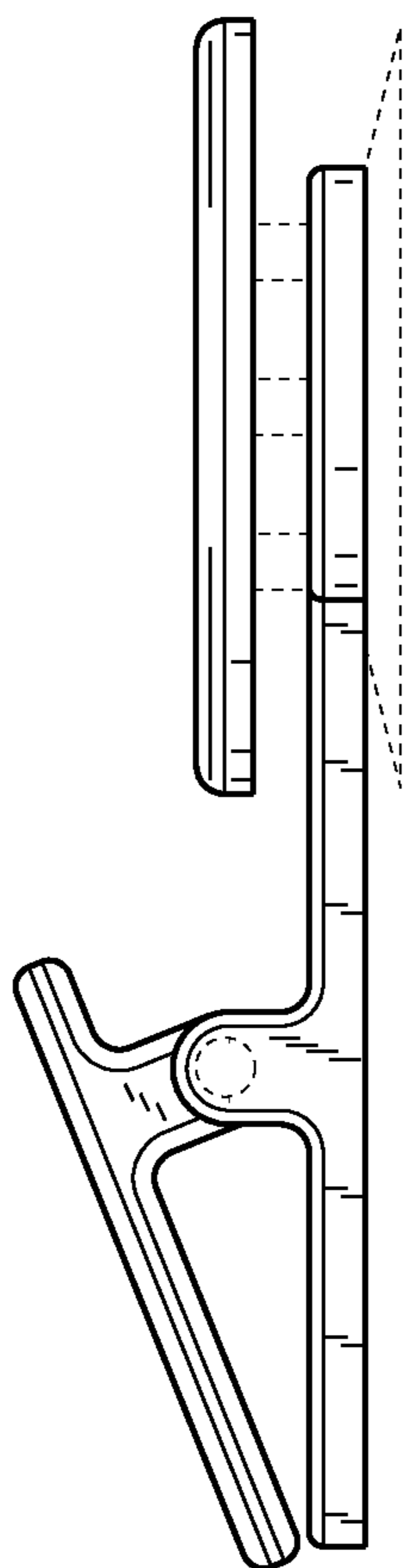


FIG. 2

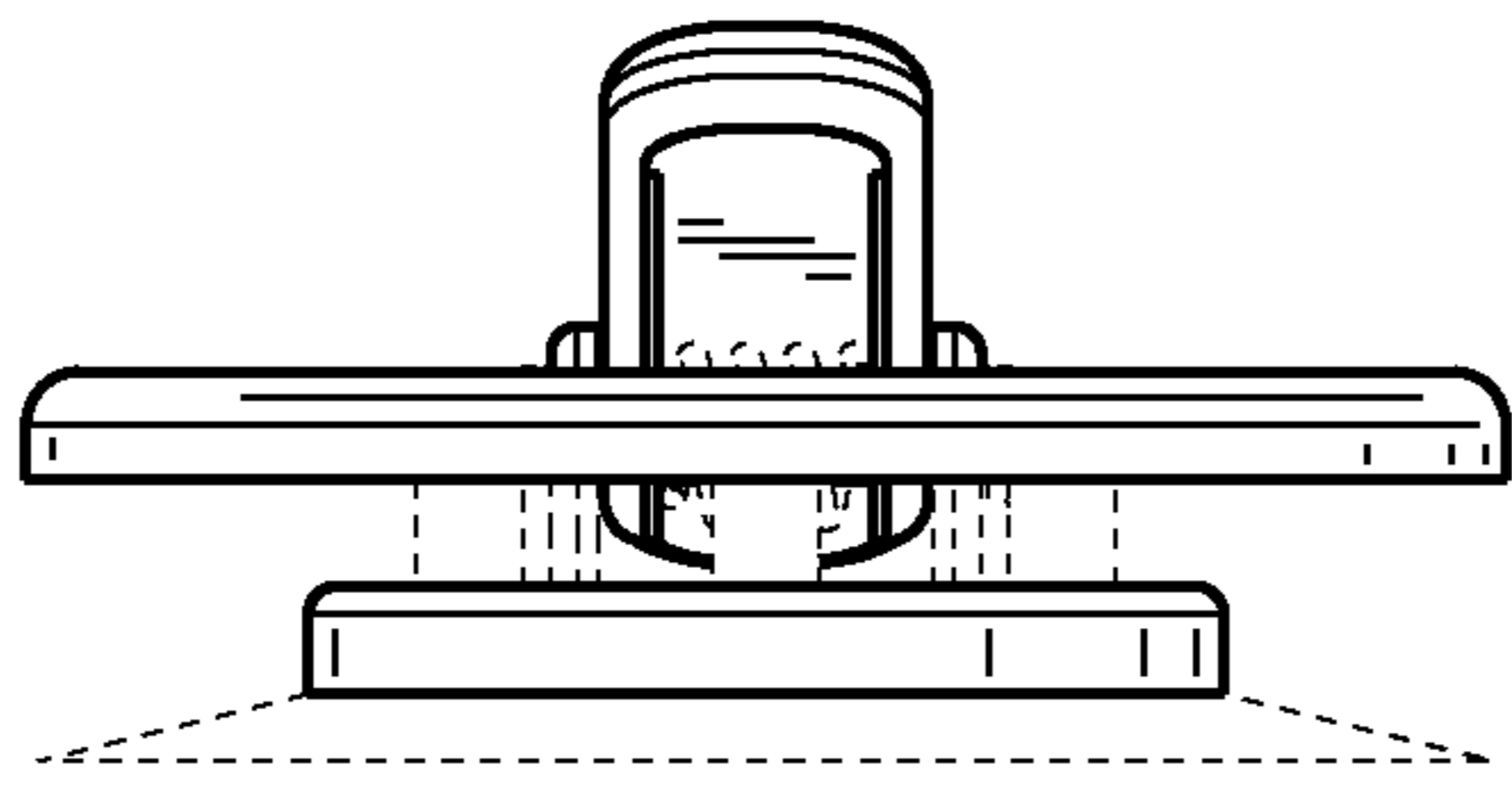


FIG. 3

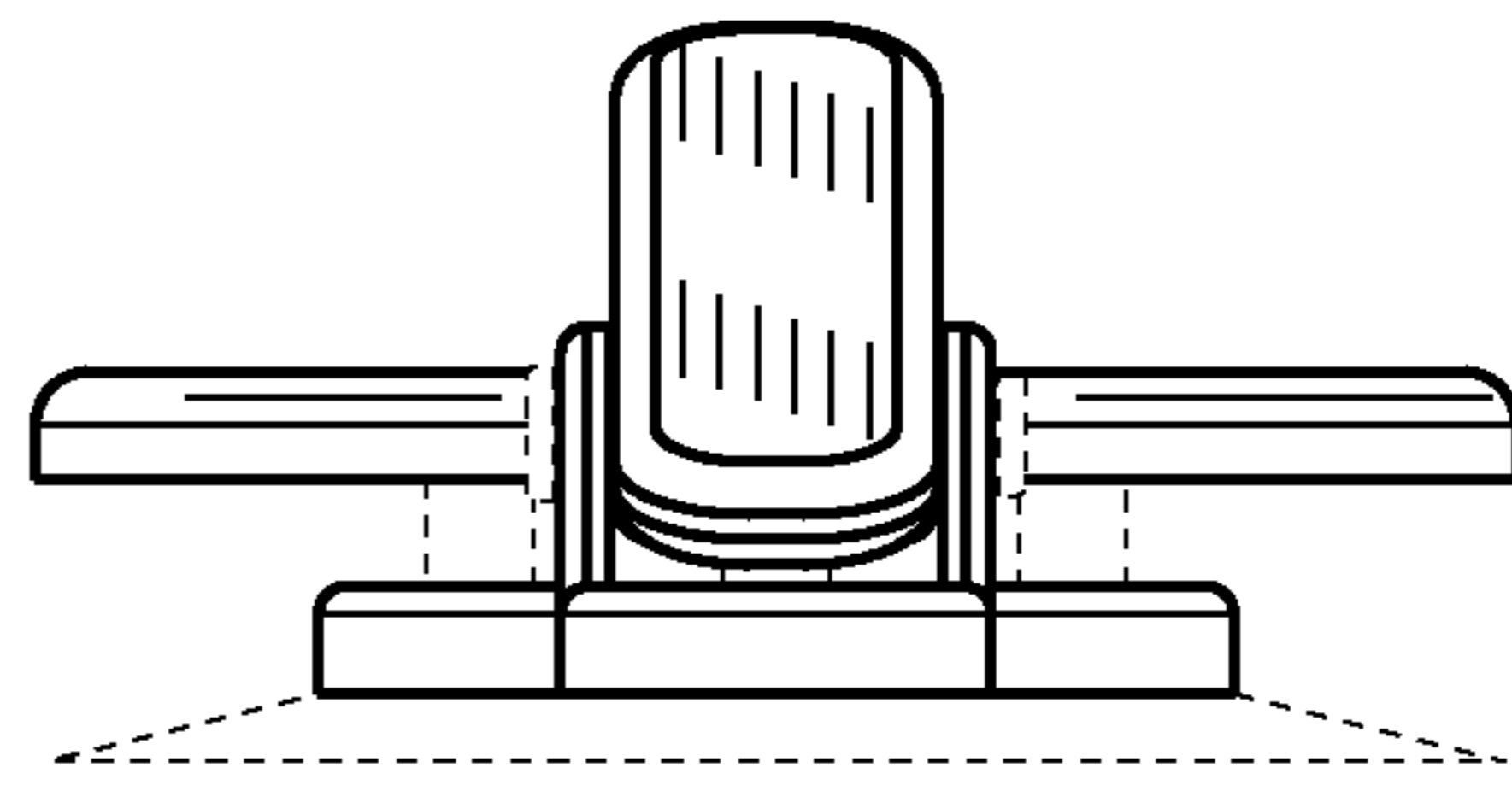


FIG. 4

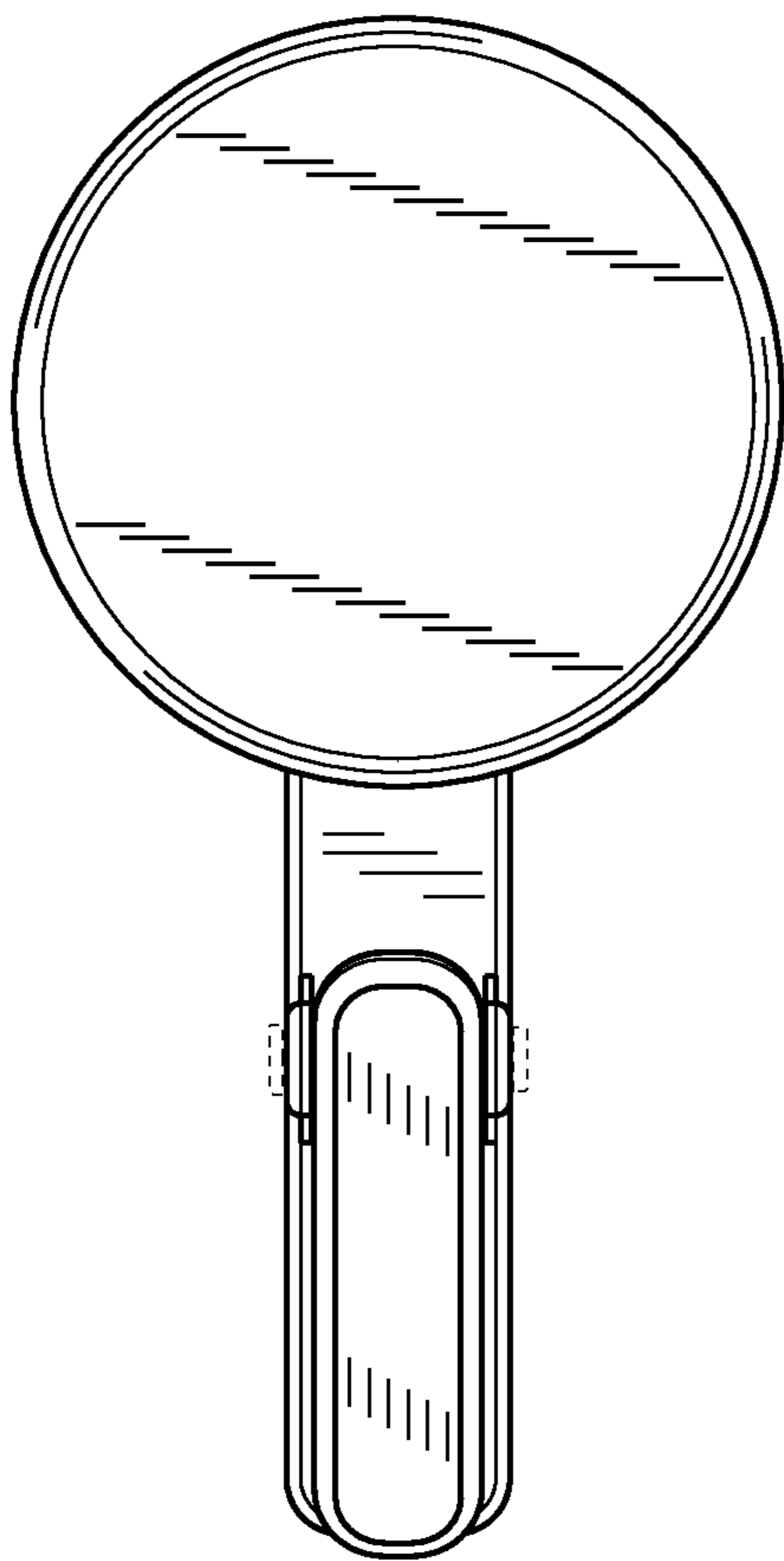


FIG. 5

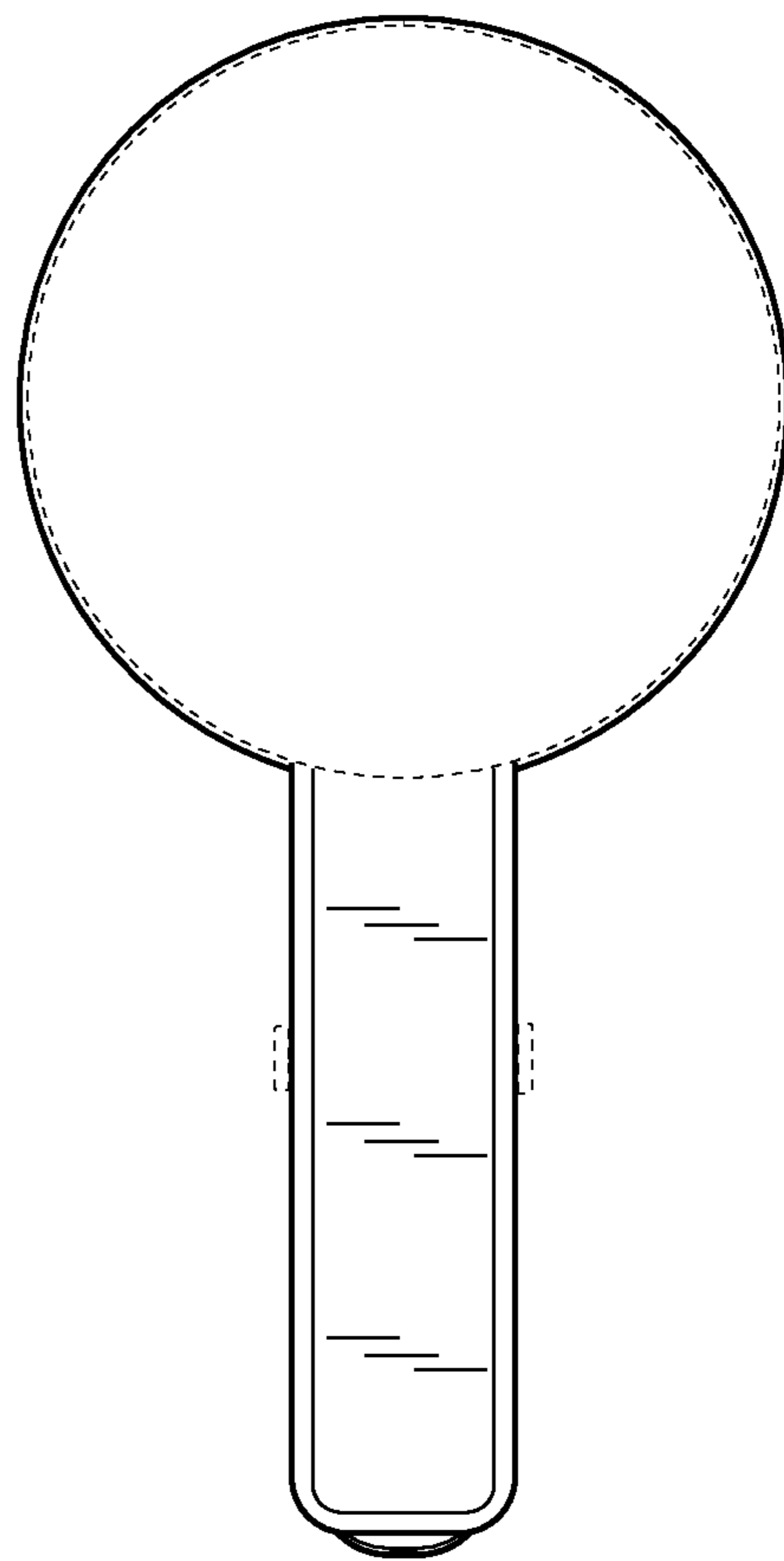


FIG. 6

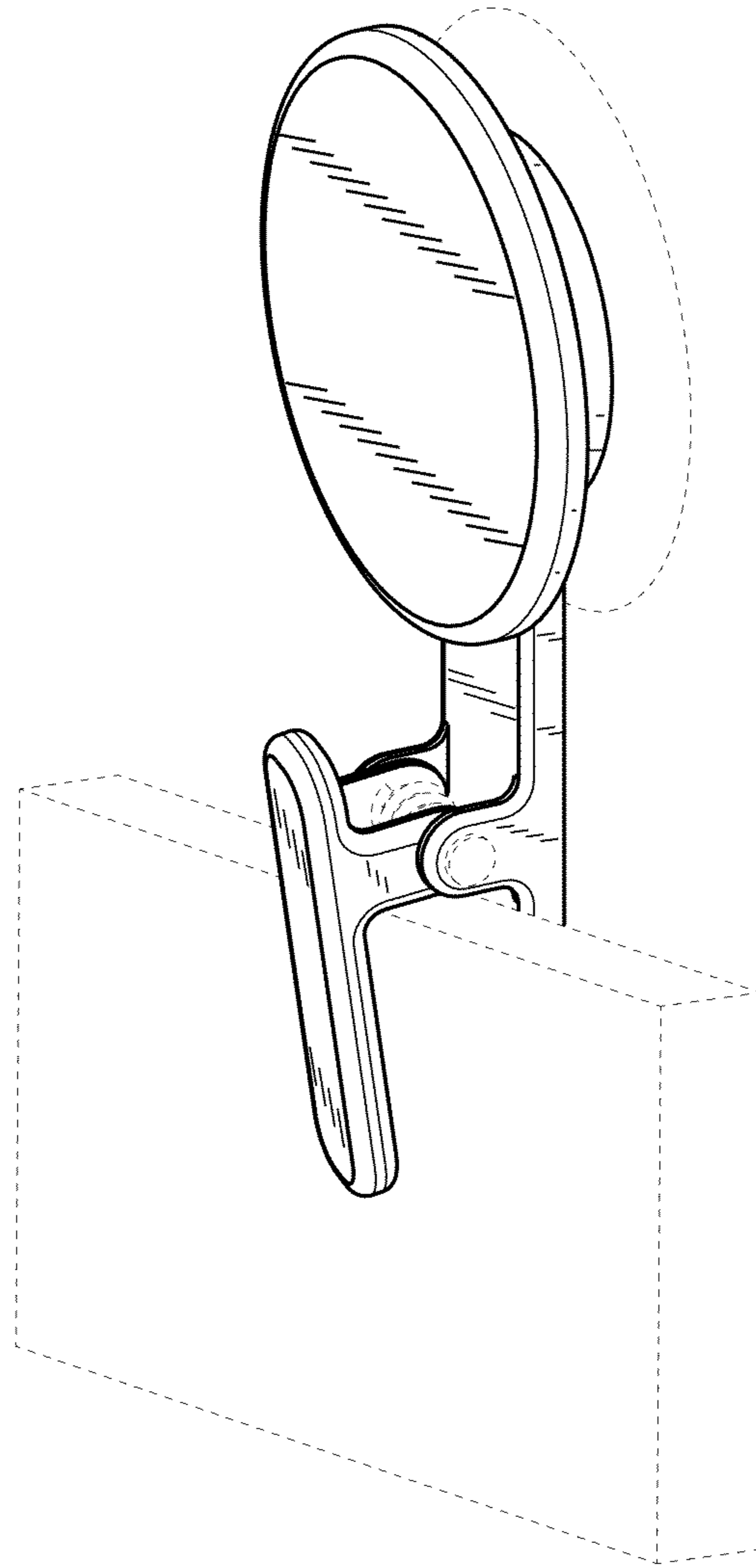


FIG. 7