

US00D737131S

(12) **United States Design Patent**
Frandsen

(10) **Patent No.:** **US D737,131 S**

(45) **Date of Patent:** **** Aug. 25, 2015**

- (54) **CLAMP FOR INSTALLING PIPES**
- (71) Applicant: **Soren B. Frandsen**, Dalmose (DK)
- (72) Inventor: **Soren B. Frandsen**, Dalmose (DK)
- (73) Assignee: **SMCP ApS** (DK)
- (**) Term: **14 Years**
- (21) Appl. No.: **29/440,585**
- (22) Filed: **Dec. 21, 2012**

| | | | | |
|----------------|---------|----------------|-------|----------|
| D269,851 S * | 7/1983 | Kimura | | D8/356 |
| D377,754 S * | 2/1997 | Abbott et al. | | D8/395 |
| D417,611 S * | 12/1999 | van de Lande | | D8/395 |
| D422,887 S * | 4/2000 | Potter | | D8/356 |
| D423,330 S * | 4/2000 | Potter et al. | | D8/356 |
| 6,371,419 B1 * | 4/2002 | Ohnuki | | 248/74.2 |
| D492,716 S * | 7/2004 | Micheel | | D17/22 |
| D536,956 S * | 2/2007 | Huang | | D8/385 |
| D570,675 S * | 6/2008 | Snider et al. | | D8/395 |
| 7,963,392 B2 * | 6/2011 | Kodi | | 206/340 |
| D669,346 S * | 10/2012 | Jonsson et al. | | D8/396 |
| D677,558 S * | 3/2013 | Frandsen | | D8/356 |
| D679,177 S * | 4/2013 | Craig et al. | | D8/395 |
| D710,677 S * | 8/2014 | Frandsen | | D8/356 |

* cited by examiner

(30) **Foreign Application Priority Data**

Jul. 3, 2012 (EM) 002067744

(51) **LOC (10) Cl.** **08-08**

(52) **U.S. Cl.**
USPC **D8/394; D8/356**

(58) **Field of Classification Search**
USPC D8/394, 395, 396, 355, 356, 360, 361;
D23/249, 265, 209; 446/124; 248/74.2,
248/71, 493, 67.5, 74.4; 24/16 R
CPC A63H 33/04; A63H 33/084; F16L 3/13;
F16L 3/24; F16L 3/04; F16L 3/127; F16L
2/233; A47G 1/20; A47G 1/16; B65D 63/10
See application file for complete search history.

(56) **References Cited**

U.S. PATENT DOCUMENTS

| | | | | |
|---------------|---------|---------|-------|---------|
| 3,069,805 A * | 12/1962 | Burrows | | 446/124 |
| 3,255,565 A * | 6/1966 | Menzel | | 52/678 |
| 3,964,707 A * | 6/1976 | Lewis | | 248/49 |
| 4,110,951 A * | 9/1978 | Padrun | | 52/686 |

Primary Examiner — John Windmuller

Assistant Examiner — Steven Czyn

(74) *Attorney, Agent, or Firm* — St. Onge Steward Johnston & Reens LLC

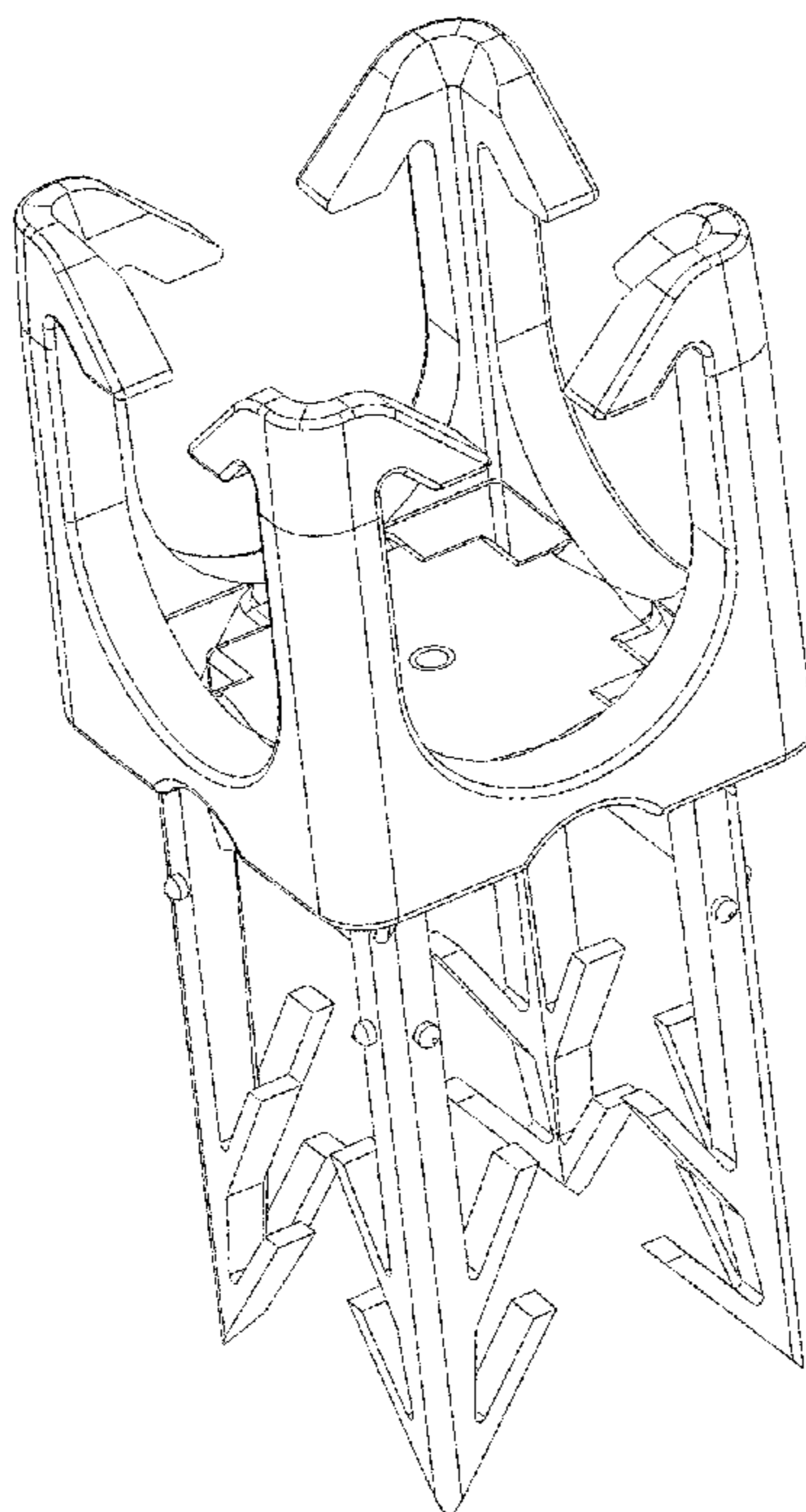
(57) **CLAIM**

The ornamental design for a clamp for installing pipes, as shown and described.

DESCRIPTION

FIG. 1 is a front, right side and top perspective view of a clamp for installing pipes in accordance with the new design; FIG. 2 is a right elevation view thereof, with the left side being an identical view thereof; FIG. 3 is a front elevation view thereof with the rear being an identical view thereof; FIG. 4 is a rear, left side and bottom perspective view thereof; FIG. 5 is a bottom plan view thereof; and, FIG. 6 is a top plan view thereof.

1 Claim, 6 Drawing Sheets



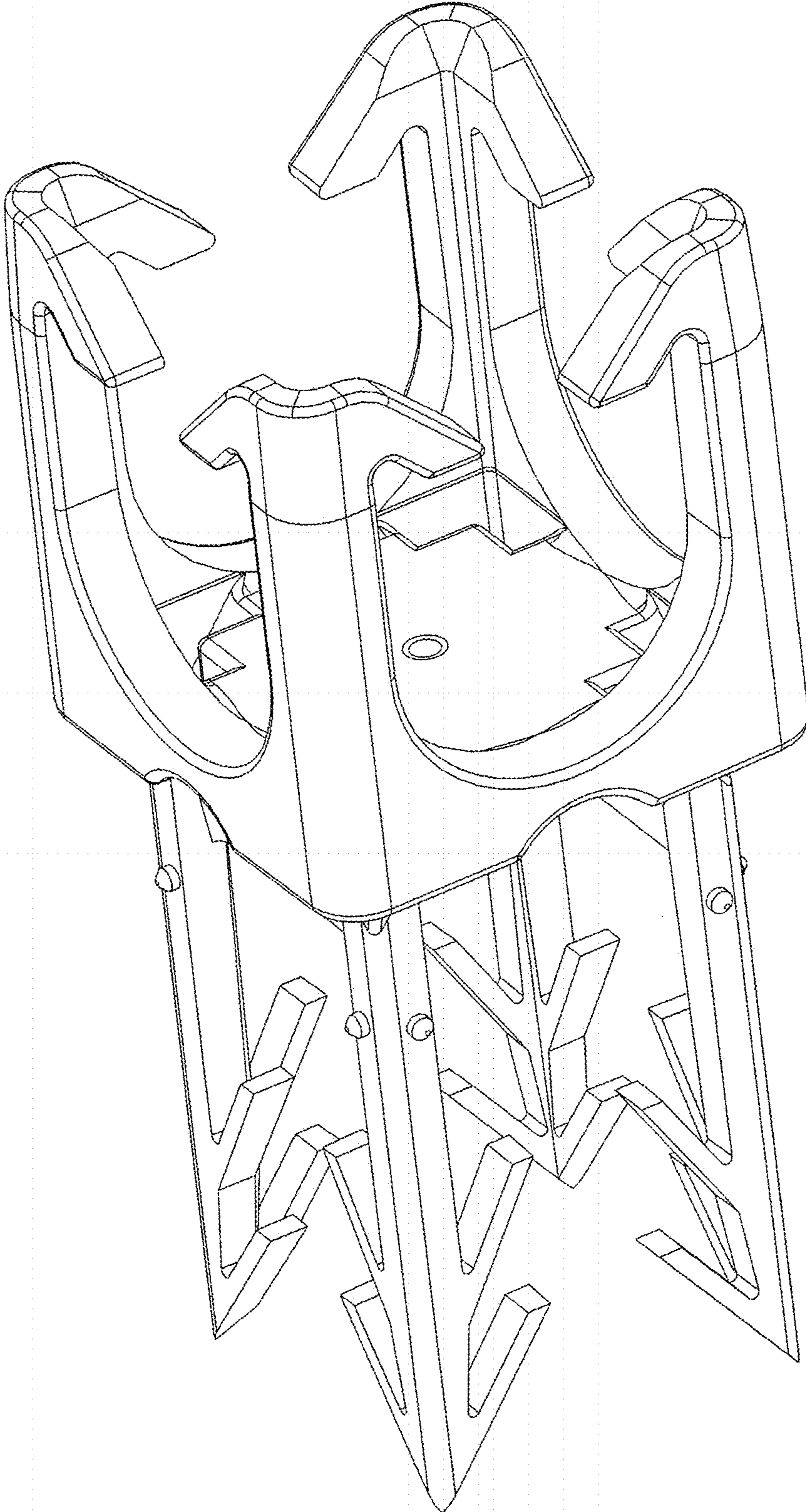


FIG. 1

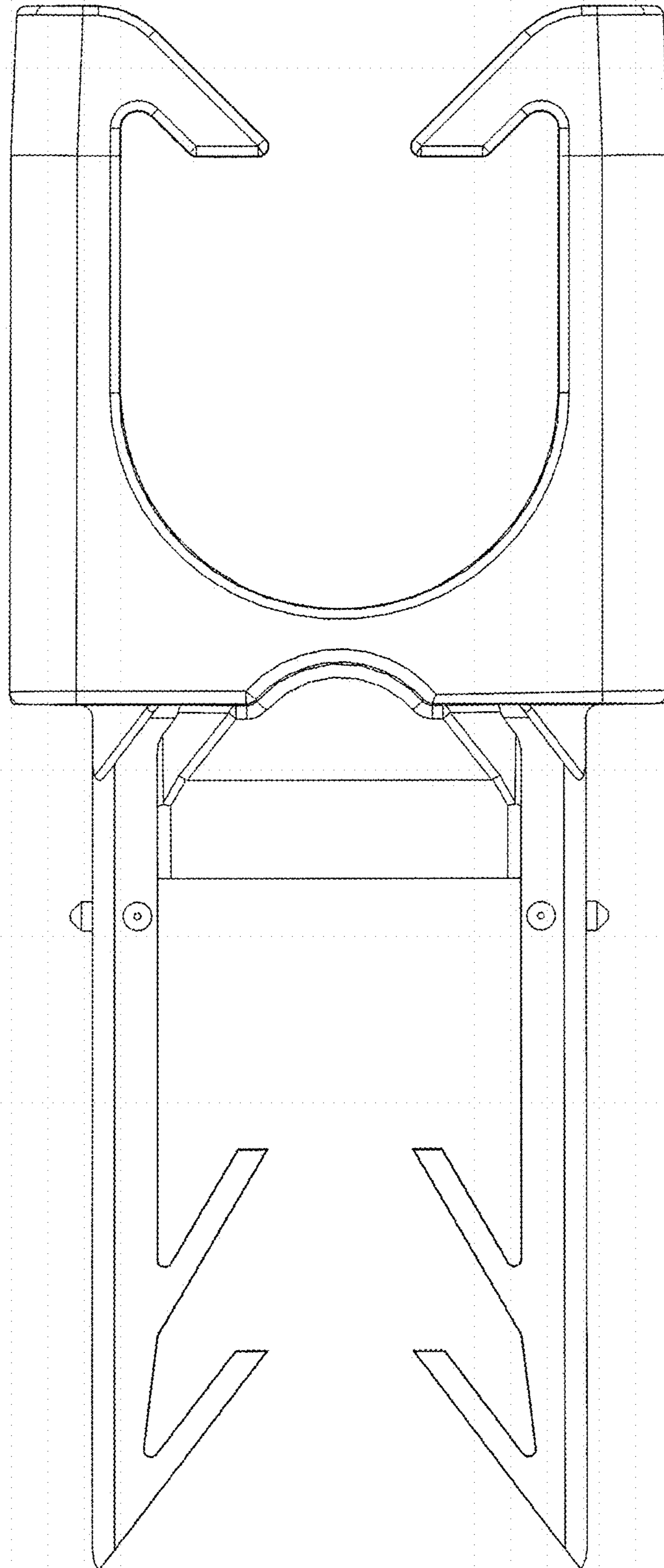


FIG. 2

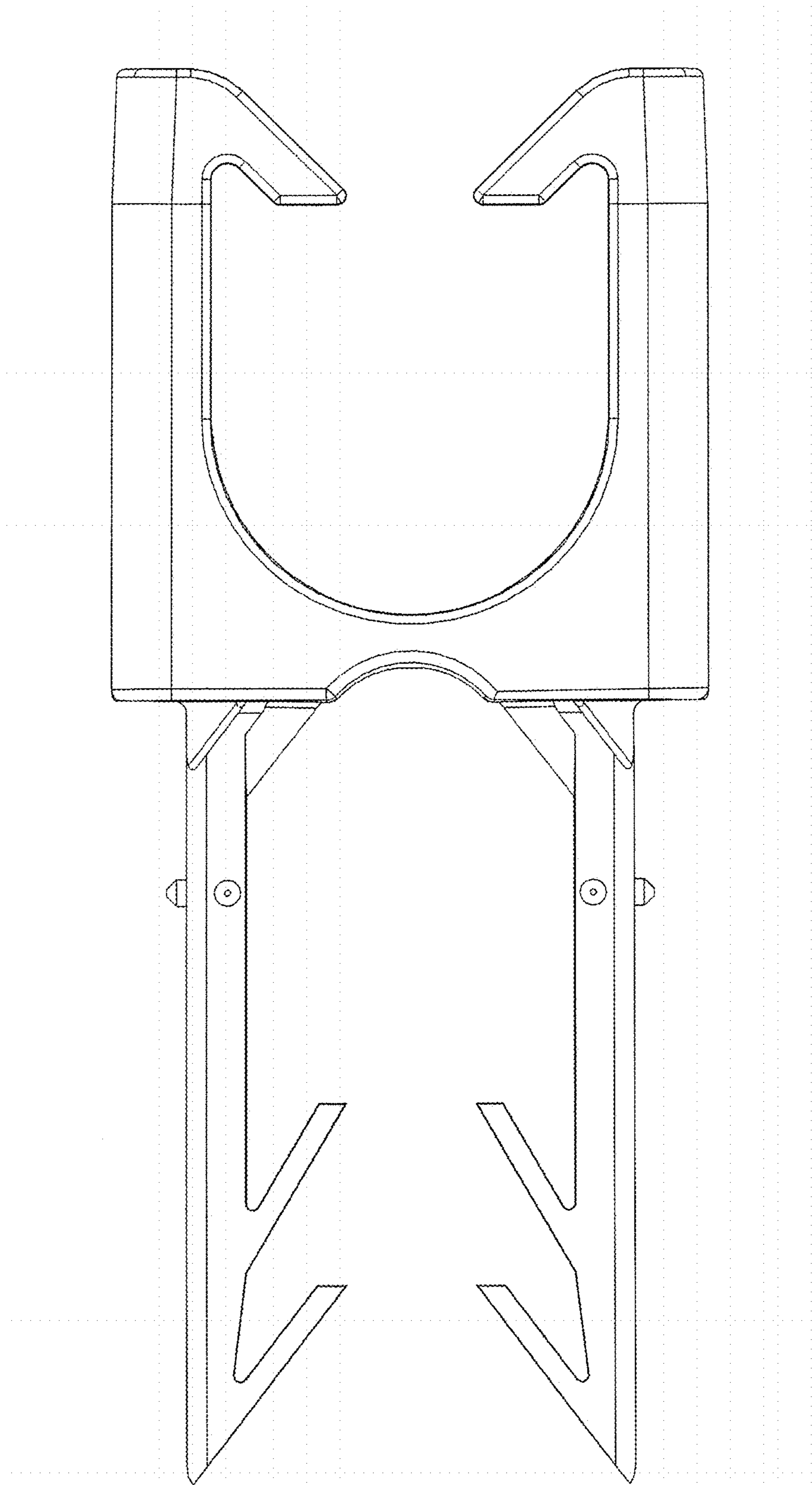


FIG. 3

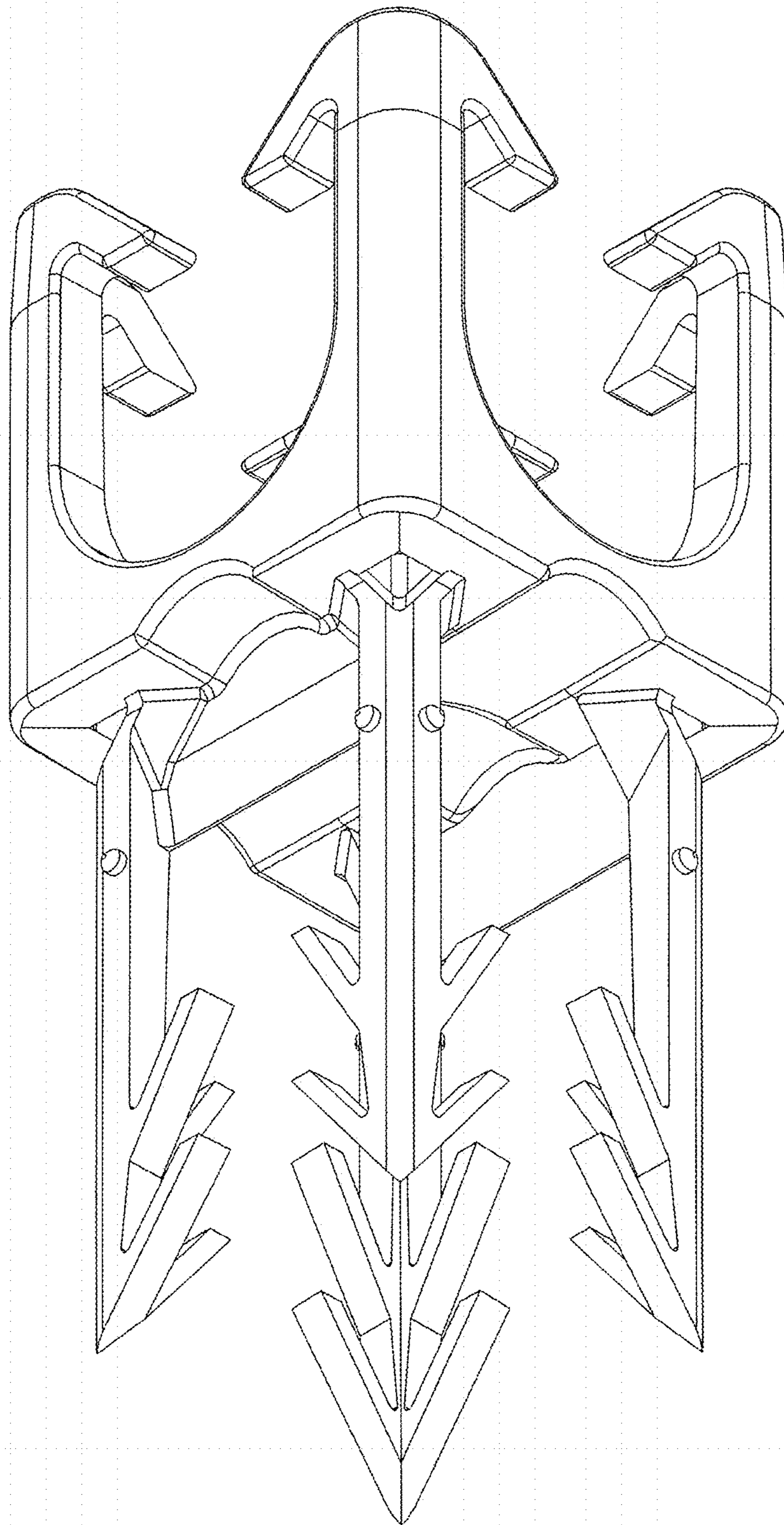


FIG. 4

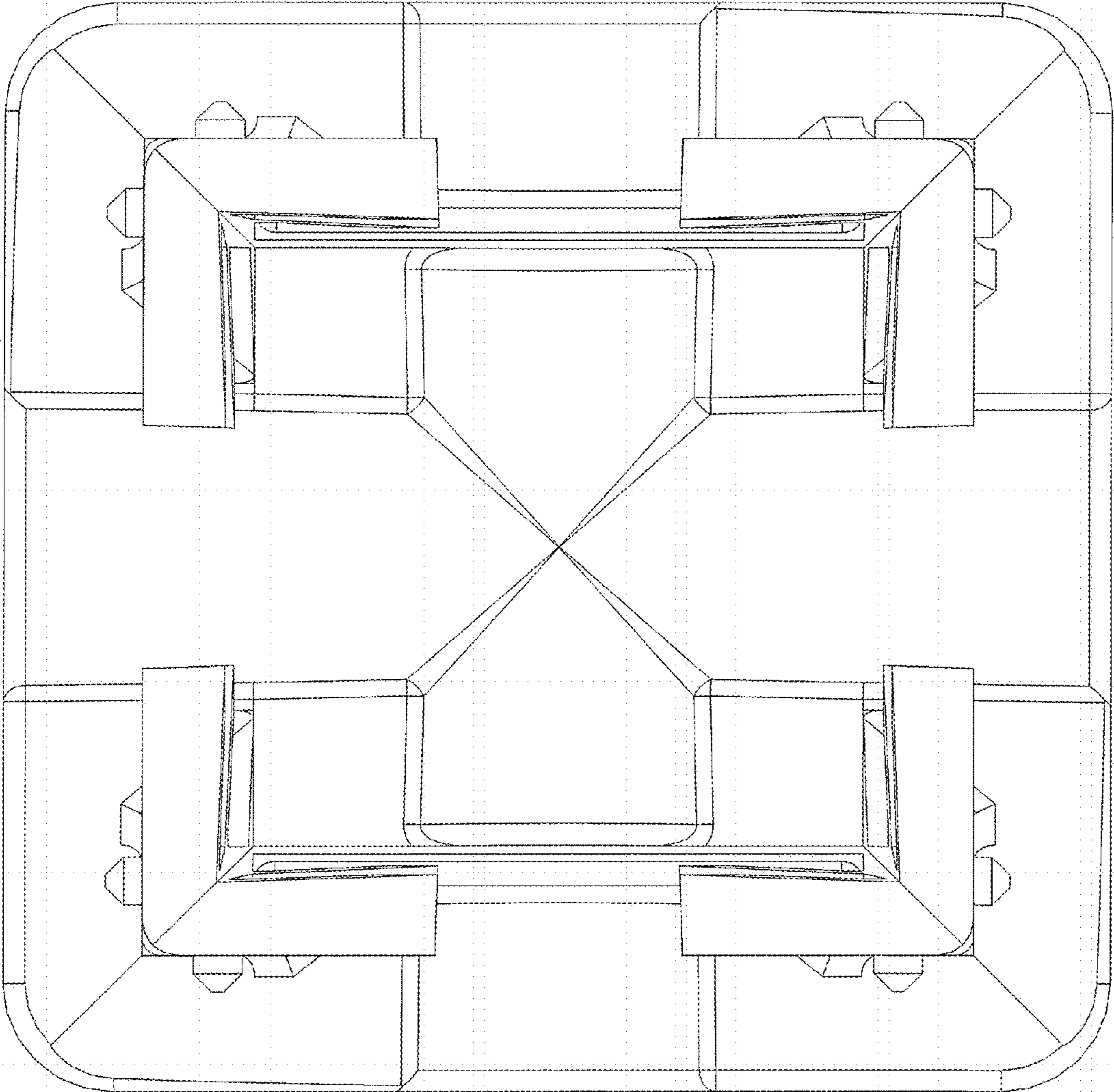


FIG. 5

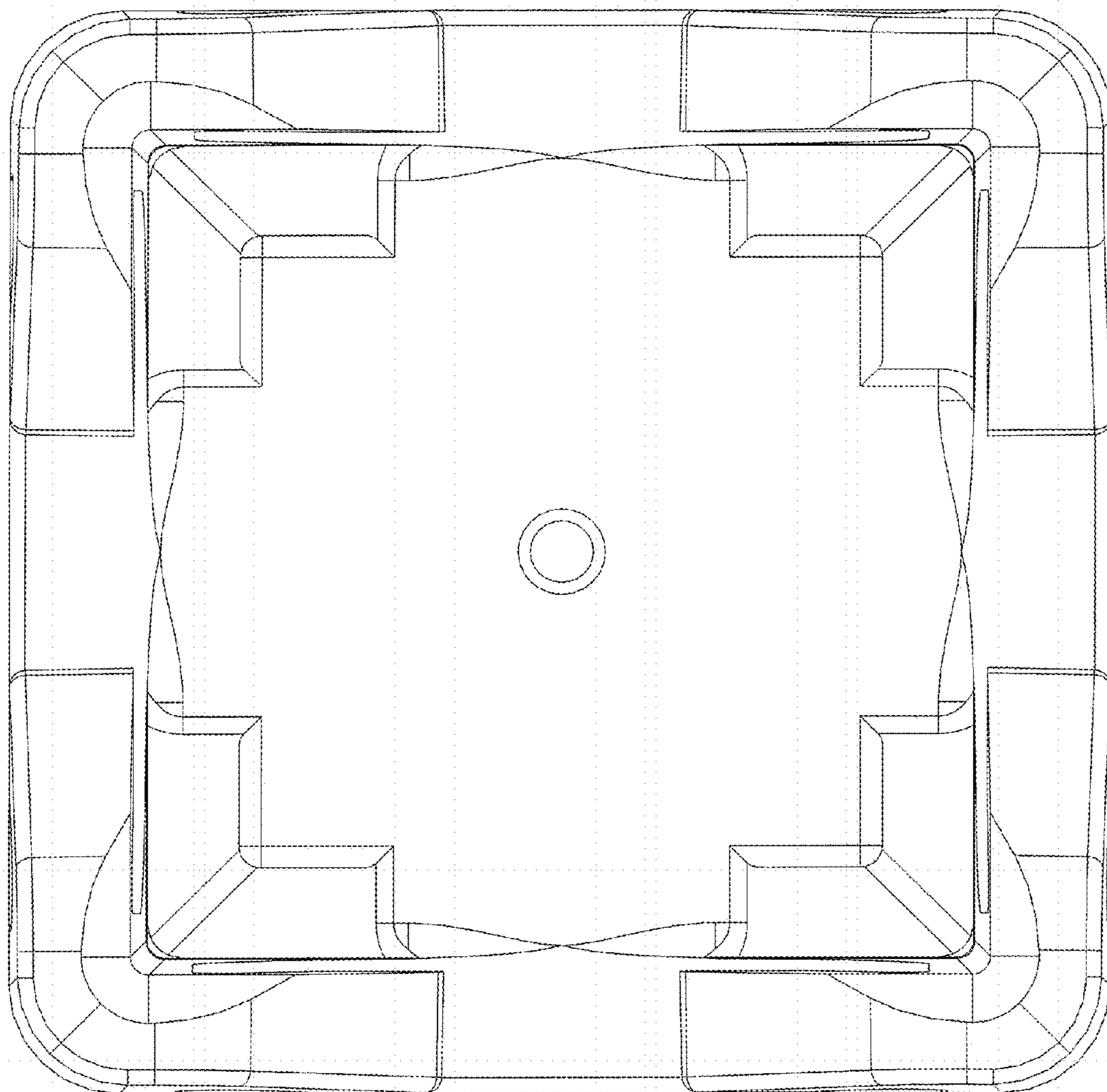


FIG. 6