



US00D737130S

(12) **United States Design Patent**  
**Carrubba**

(10) **Patent No.:** **US D737,130 S**

(45) **Date of Patent:** **\*\* Aug. 25, 2015**

(54) **ROUND BALUSTER CONNECTOR**

(71) Applicant: **AS&C-USA, INC.**, White Plains, NY  
(US)

(72) Inventor: **Vincent Carrubba**, Baldwin, NY (US)

(73) Assignee: **AS&C-USA, INC.**, White Plains, NY  
(US)

(\*\*) Term: **14 Years**

(21) Appl. No.: **29/485,613**

(22) Filed: **Mar. 20, 2014**

(51) **LOC (10) Cl.** ..... **08-08**

(52) **U.S. Cl.**  
USPC ..... **D8/382**

(58) **Field of Classification Search**  
USPC ..... D8/382, 354, 349, 499, 373; D25/133,  
D25/128, 100; D13/133, 154  
CPC ..... E04H 17/1421; E04F 11/18; E04F 11/00  
See application file for complete search history.

(56) **References Cited**

U.S. PATENT DOCUMENTS

|           |     |         |                |       |           |
|-----------|-----|---------|----------------|-------|-----------|
| 2,984,698 | A * | 5/1961  | Strauss        | ..... | 174/138 R |
| D212,447  | S * | 10/1968 | Kaser          | ..... | D15/140   |
| D251,781  | S * | 5/1979  | Hutton         | ..... | D13/133   |
| D314,701  | S * | 2/1991  | Mykines        | ..... | D8/354    |
| D435,430  | S * | 12/2000 | Valentz et al. | ..... | D8/349    |
| 7,044,448 | B1  | 5/2006  | Jones          |       |           |
| D523,325  | S   | 6/2006  | Ignagni        |       |           |

|              |      |         |                  |       |           |
|--------------|------|---------|------------------|-------|-----------|
| D535,619     | S *  | 1/2007  | Nagata           | ..... | D13/133   |
| D599,192     | S *  | 9/2009  | Andren et al.    | ..... | D8/354    |
| 7,748,686    | B1   | 7/2010  | Harder           |       |           |
| 7,762,533    | B2   | 7/2010  | DeRogatis et al. |       |           |
| D642,046     | S *  | 7/2011  | Gooden           | ..... | D8/382    |
| 8,083,214    | B2   | 12/2011 | DeRogatis et al. |       |           |
| 2006/0175592 | A1 * | 8/2006  | DeRogatis et al. | ..... | 256/59    |
| 2011/0248232 | A1 * | 10/2011 | Leary            | ..... | 256/65.01 |

\* cited by examiner

*Primary Examiner* — Sheryl Lane

*Assistant Examiner* — Ieisha Price

(74) *Attorney, Agent, or Firm* — Kramer Amado, P.C.

(57) **CLAIM**

The ornamental design for a round baluster connector, as shown and described.

**DESCRIPTION**

FIG. 1 is a top perspective view of the round baluster connector of the present invention.

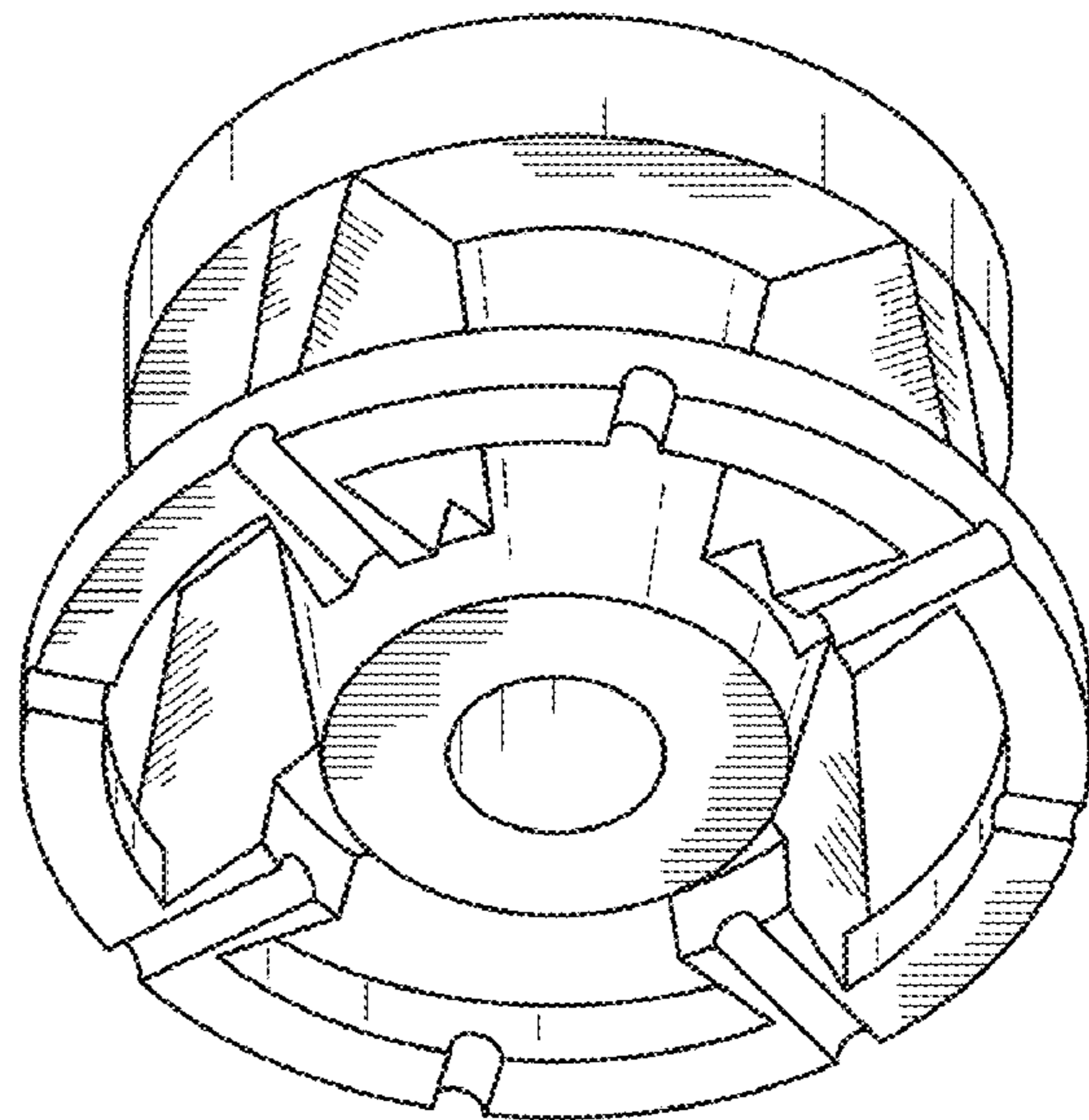
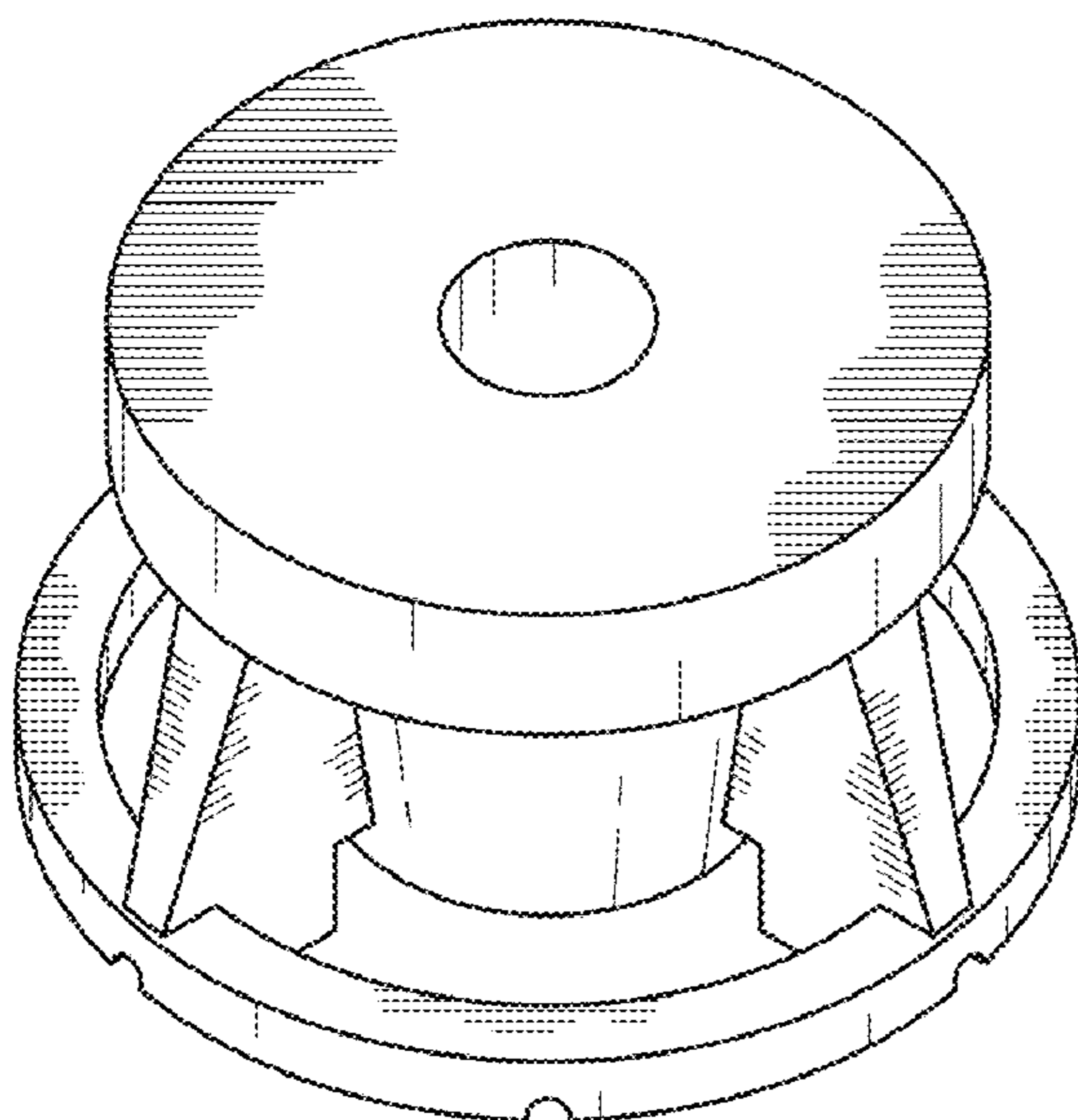
FIG. 2 is a bottom perspective view of the round baluster connector depicted in FIG. 1.

FIG. 3 is a top plan view of the round baluster connector depicted in FIG. 1.

FIG. 4 is a bottom plan view of the round baluster connector depicted in FIG. 1; and,

FIG. 5 is a front side plan view of the round baluster connector depicted in FIG. 1, where rear and side plan views of the round baluster connector are identical to the front side plan view.

**1 Claim, 2 Drawing Sheets**



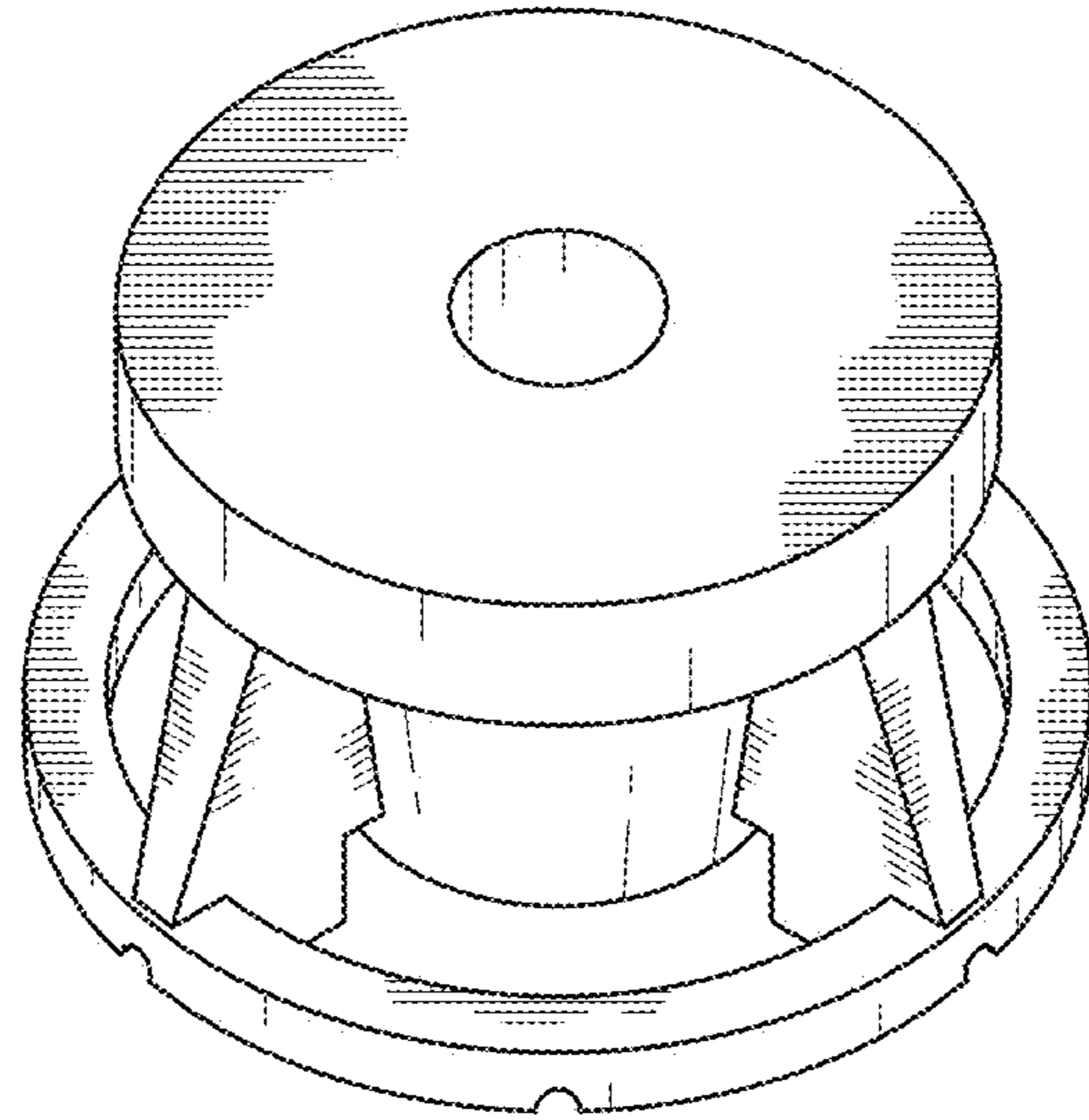


FIG. 1

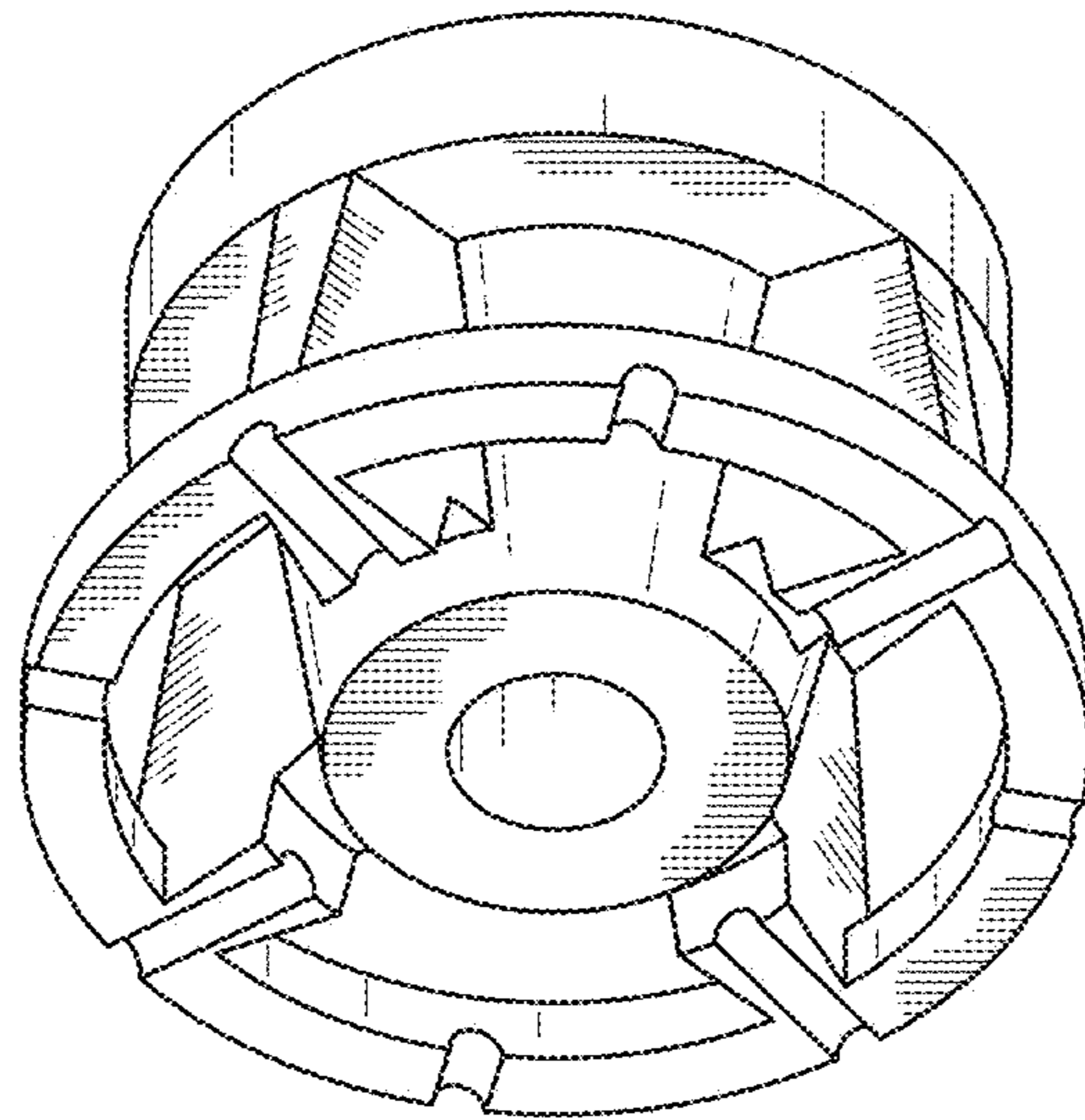


FIG. 2

FIG. 3

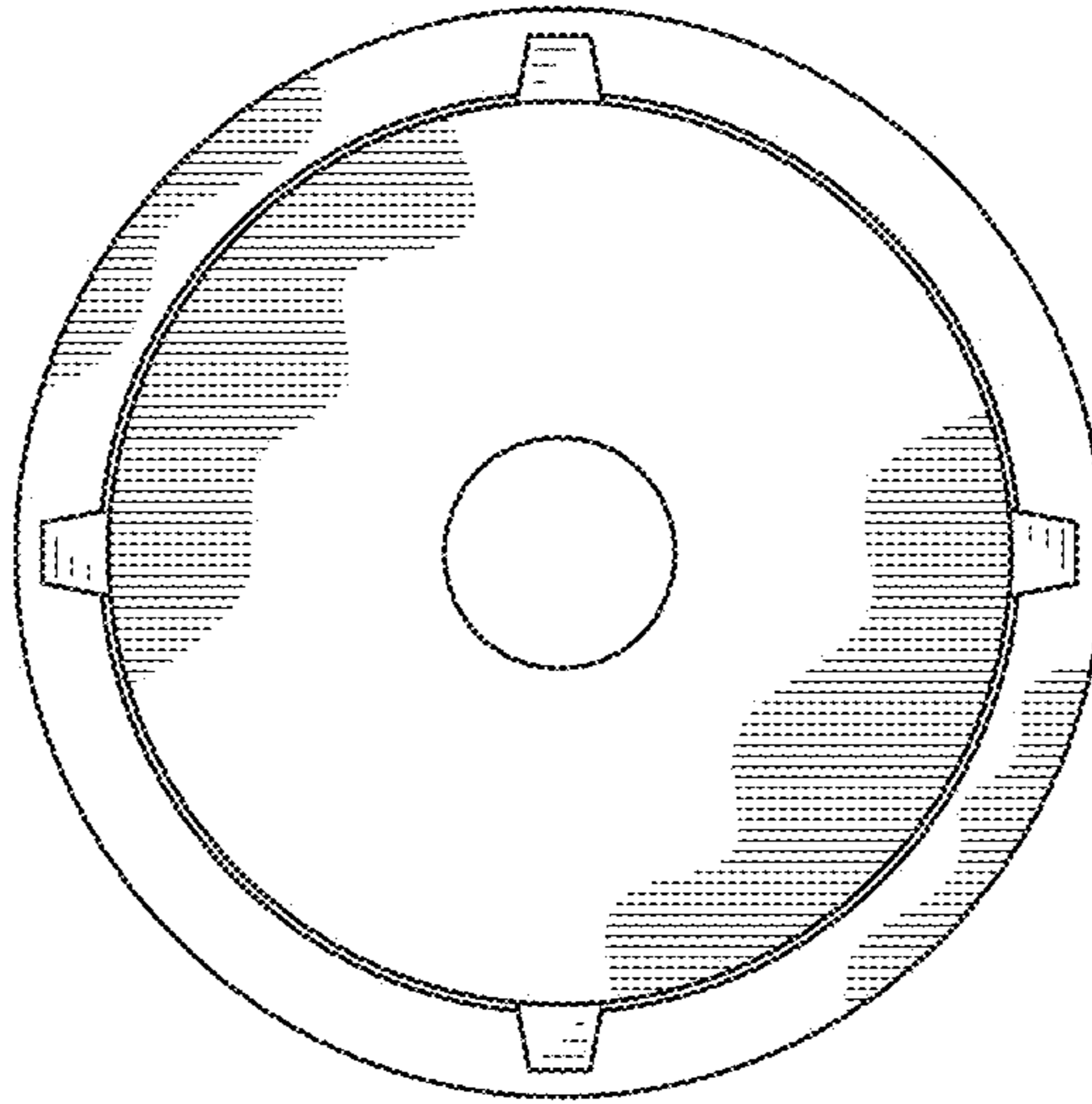


FIG. 4

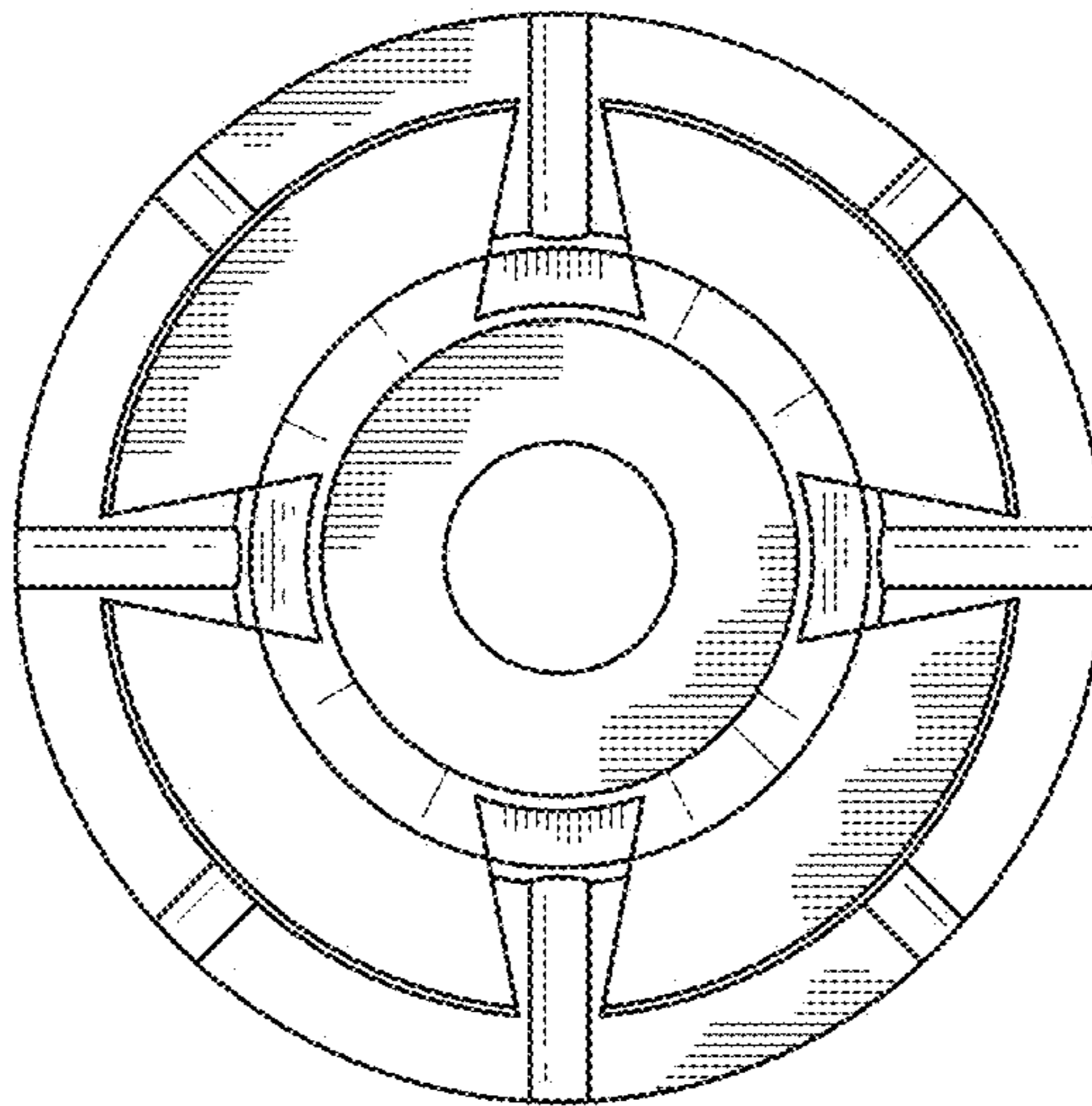


FIG. 5

