



US00D737129S

(12) **United States Design Patent**
Strunk et al.

(10) **Patent No.:** **US D737,129 S**

(45) **Date of Patent:** **** Aug. 25, 2015**

(54) **PORTION OF A CHILD SAFETY SEAT**
(71) Applicant: **Britax Römer Kindersicherheit GmbH**, Ulm (DE)
(72) Inventors: **Julia Strunk**, Ulm (DE); **Martin Haas**, Steinheim (DE); **Richard Henseler**, Ulm (DE)
(73) Assignee: **BRITAX RÖMER KINDERSICHERHEIT GMBH**, Ulm (DE)
(**) Term: **14 Years**
(21) Appl. No.: **29/483,286**
(22) Filed: **Feb. 27, 2014**

D284,265 S * 6/1986 Resan D8/382
D285,048 S * 8/1986 Beck D8/385
D285,169 S * 8/1986 Resan D8/382
D289,374 S * 4/1987 Ziaylek, Jr. D8/385
D331,440 S * 12/1992 Smith D21/823
D362,176 S * 9/1995 Solbeck D8/382
D407,627 S * 4/1999 Fischer D8/349
D477,793 S * 7/2003 Udolph et al. D11/200
D484,779 S * 1/2004 Shibuya D8/382
D496,908 S * 10/2004 Ihde et al. D13/133
D498,414 S * 11/2004 Yoneoka D8/382
D524,637 S * 7/2006 Schluter D8/382
D535,870 S * 1/2007 Yoshiguchi D8/383
D539,229 S * 3/2007 Murphey D13/155
D551,943 S * 10/2007 Hodjat et al. D8/349
D566,534 S * 4/2008 Okada D8/382
D589,333 S * 3/2009 Nakazato D8/382
D602,397 S * 10/2009 Heroux D11/200
D608,626 S * 1/2010 Camisasca D8/382

(Continued)

(30) **Foreign Application Priority Data**
Aug. 27, 2013 (EM) 001382741
(51) **LOC (10) CL.** **08-08**
(52) **U.S. Cl.**
USPC **D8/382**
(58) **Field of Classification Search**
USPC D8/349, 350, 353, 354, 355, 356, 359,
D8/366, 367, 373, 374, 381, 382, 383, 384,
D8/385, 386; D12/400; D11/200, 212;
D29/100, 101.2
CPC B60N 2/28; B60N 2/2821; B60N 2/2845;
B60N 2/2854; B60N 2/2863; B60N 2/2806;
B60N 2/2866; B60N 2/2887; B60N 2/2851;
B60N 2/2875; B60N 2/2812; B60N 2/265
See application file for complete search history.

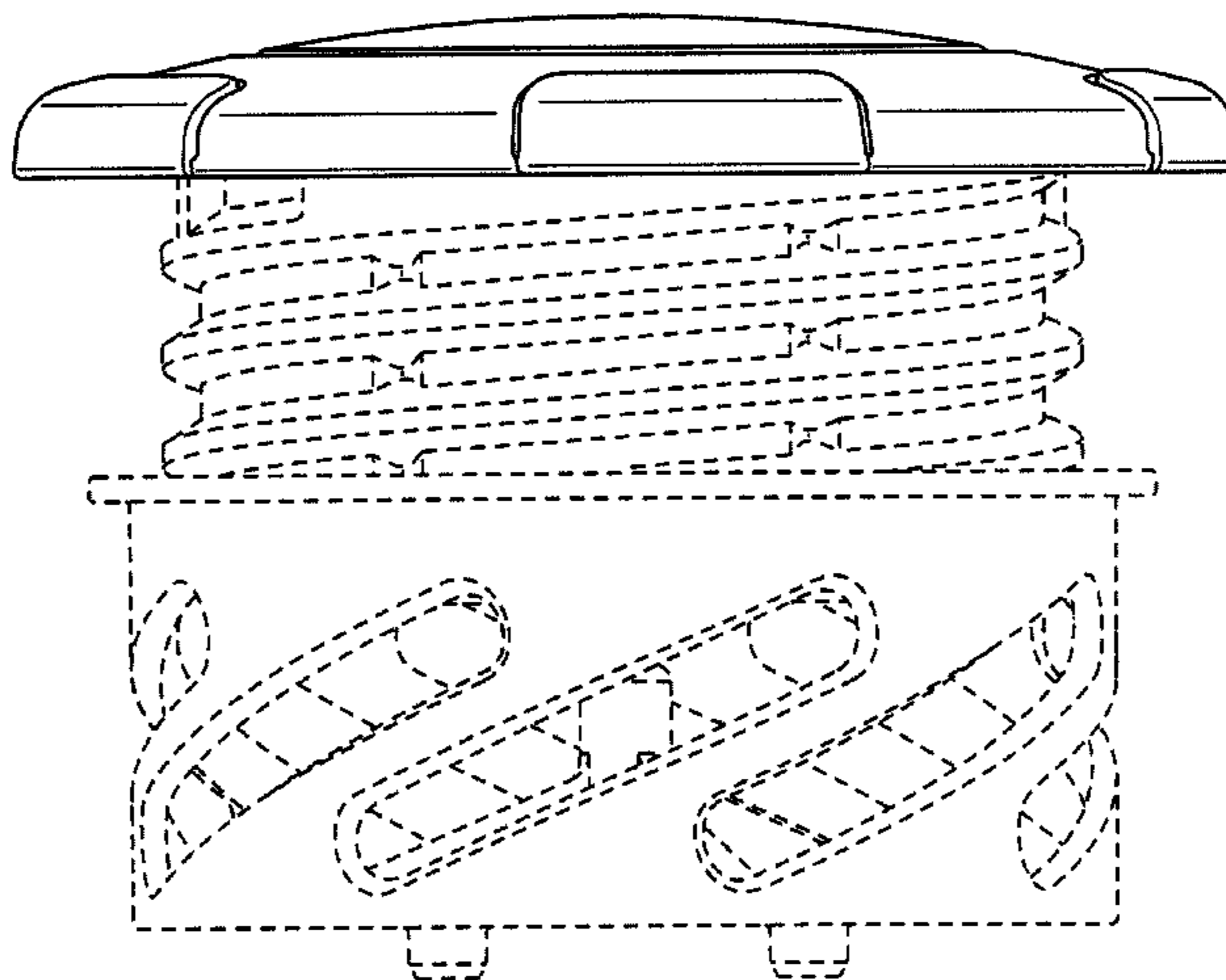
Primary Examiner — Eric Goodman
Assistant Examiner — Bao-Yen Nguyen
(74) *Attorney, Agent, or Firm* — Nelson Mullins Riley & Scarborough LLP

(56) **References Cited**
U.S. PATENT DOCUMENTS
D283,591 S * 4/1986 Swanstrom D8/387
D284,264 S * 6/1986 Resan D8/382

(57) **CLAIM**
We claim the ornamental design for a portion of a child safety seat, as shown and described.

DESCRIPTION
FIG. 1 is a front elevation view of a portion of a child safety seat showing our new design, showing in a first configuration of use;
FIG. 2 is a rear elevation view thereof;
FIG. 3 is a top plan view thereof;
FIG. 4 is a bottom plan view thereof;
FIG. 5 is a left side elevation view thereof;
FIG. 6 is a right side elevation view thereof; and,
FIG. 7 is a perspective view thereof.
The broken lines in FIGS. 1, 2, and 4-7 are directed to unclaimed features and form no part of the claimed design.

1 Claim, 7 Drawing Sheets



US D737,129 S

Page 2

(56)

References Cited

U.S. PATENT DOCUMENTS

D617,627 S * 6/2010 Tawil D8/349
D630,455 S * 1/2011 Shang D6/509
D649,866 S * 12/2011 Roehrig et al. D8/395

D658,478 S * 5/2012 Wall D8/349
D658,482 S * 5/2012 Pratt D8/349
D670,794 S * 11/2012 Antonello D23/262
D679,170 S * 4/2013 Else D8/349

* cited by examiner

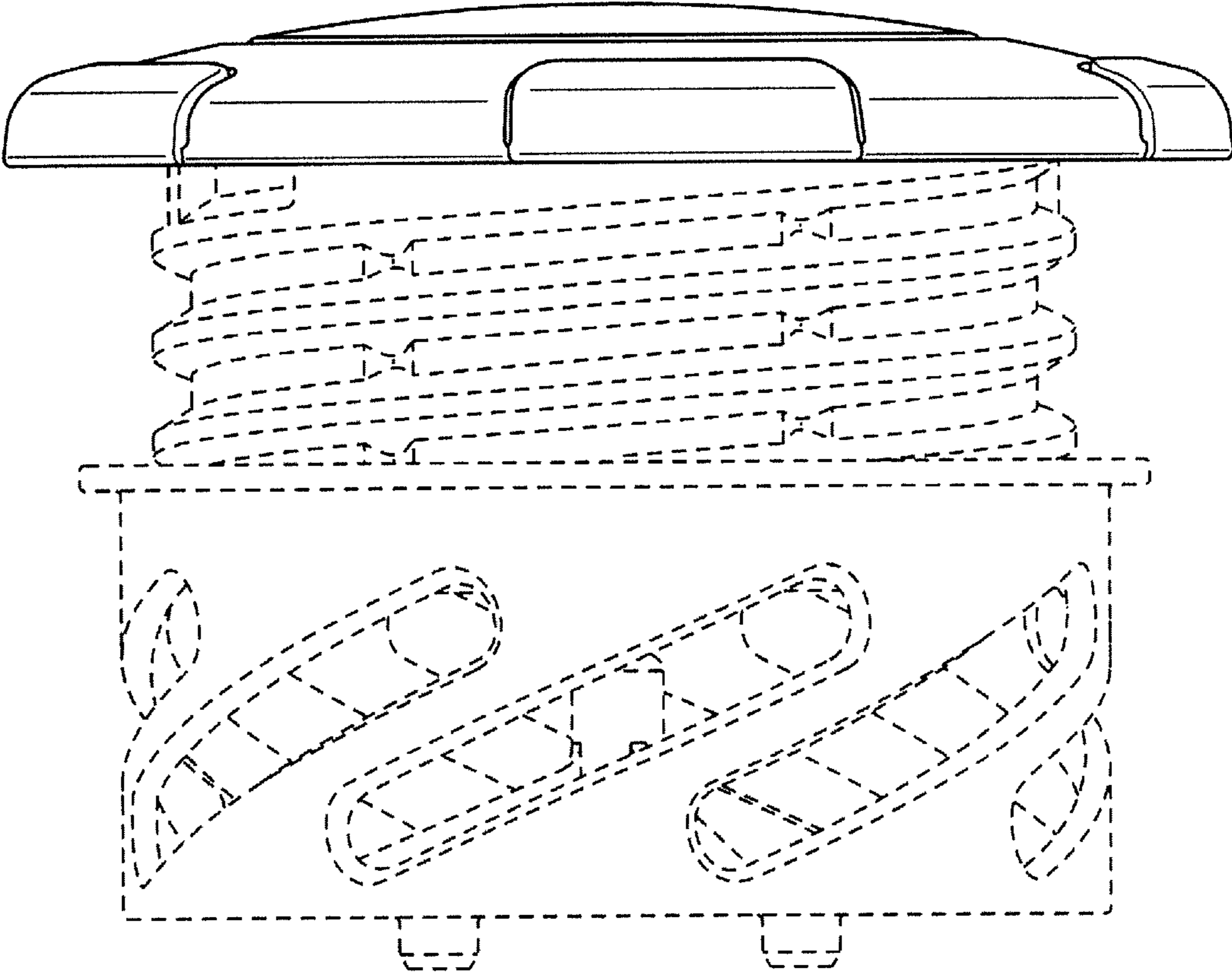


FIG. 1

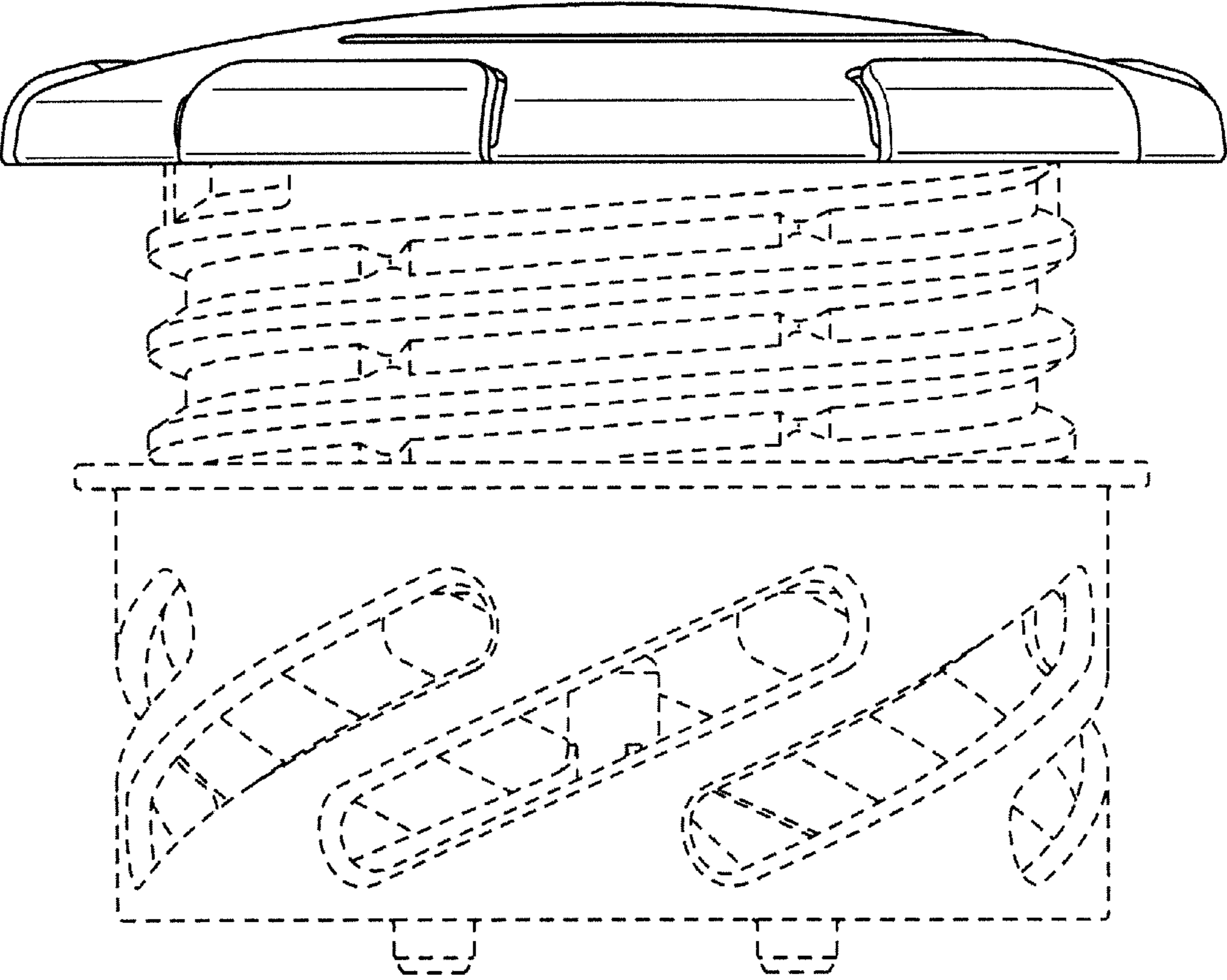


FIG. 2

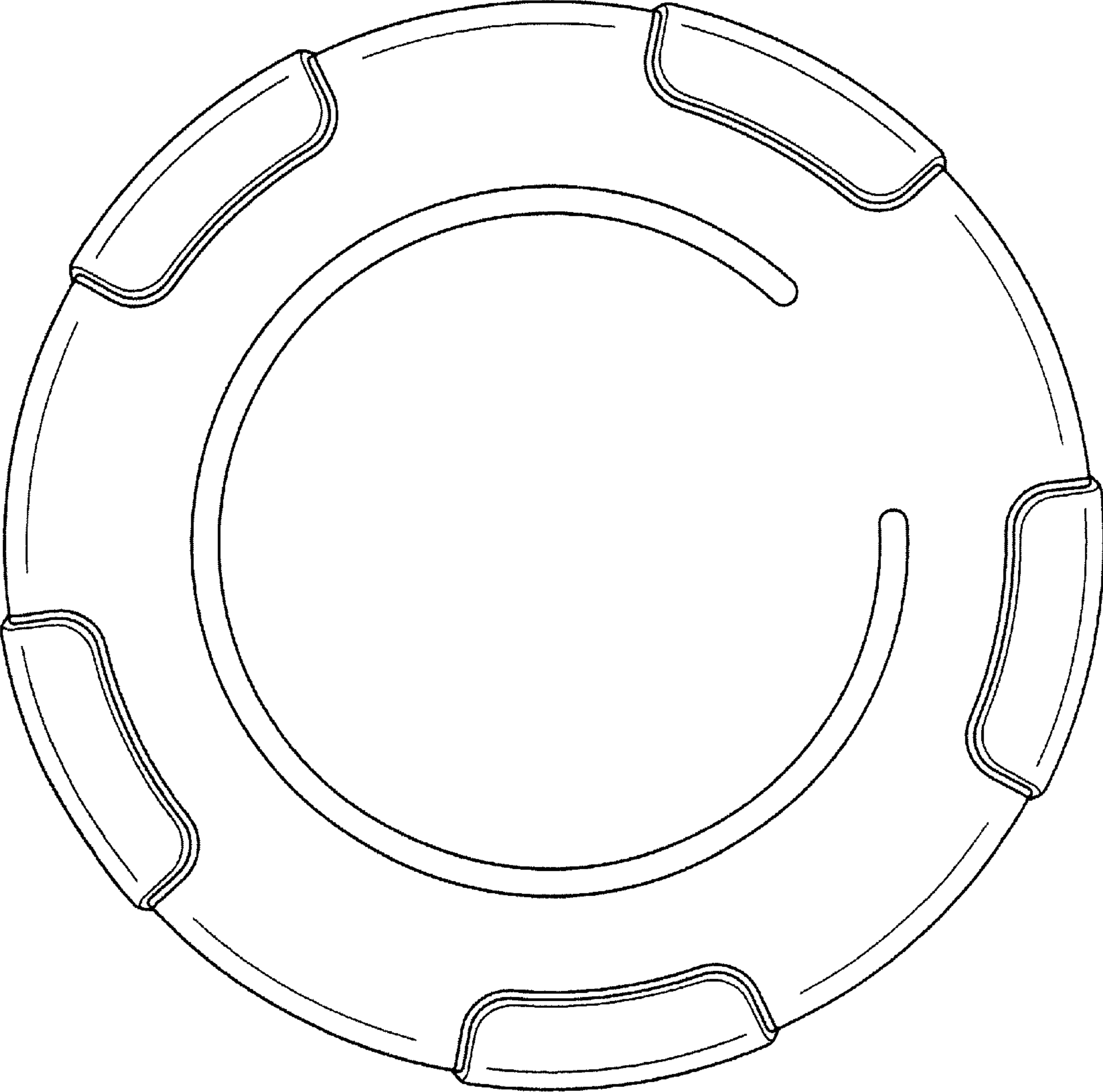


FIG. 3

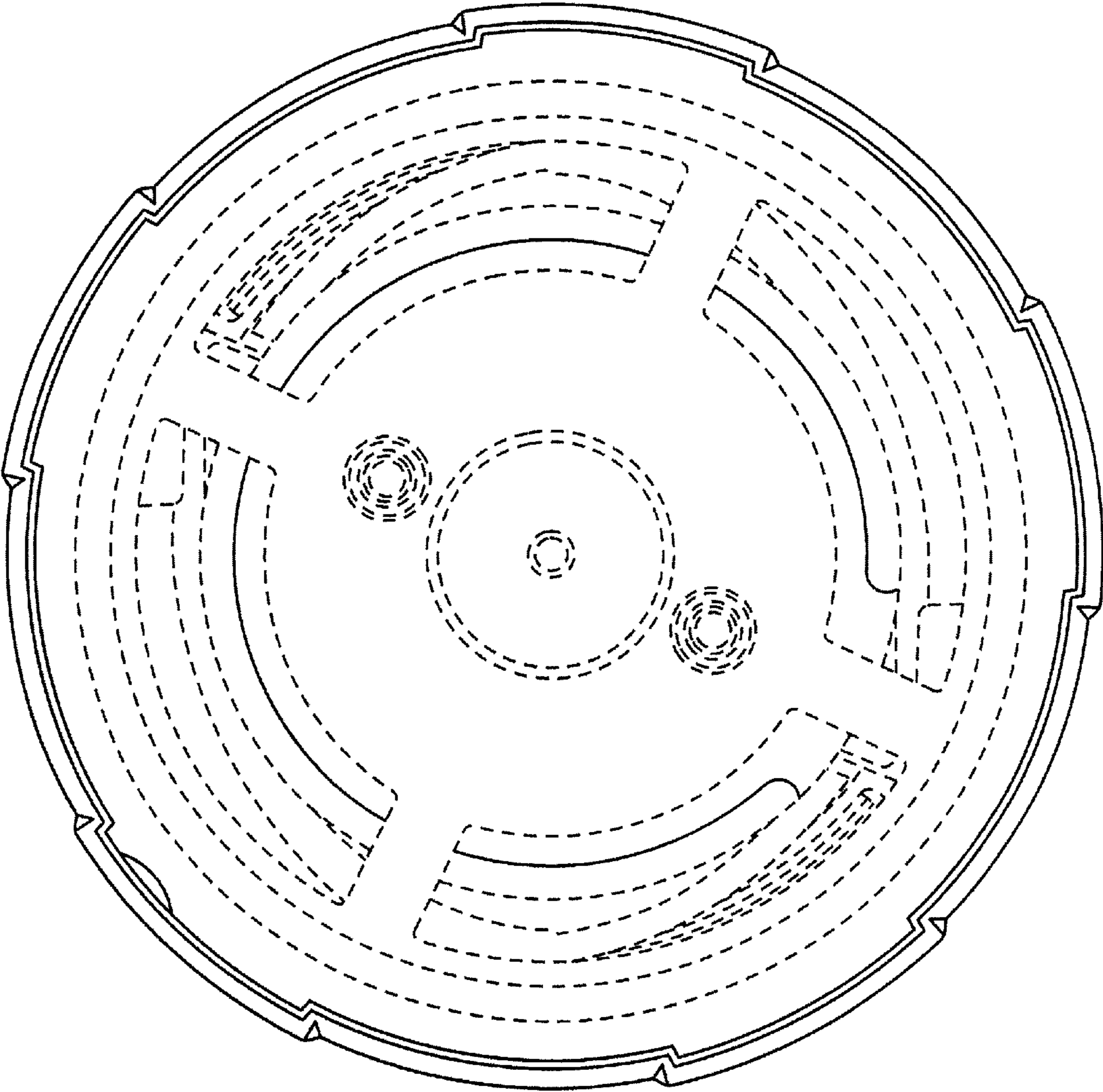


FIG. 4

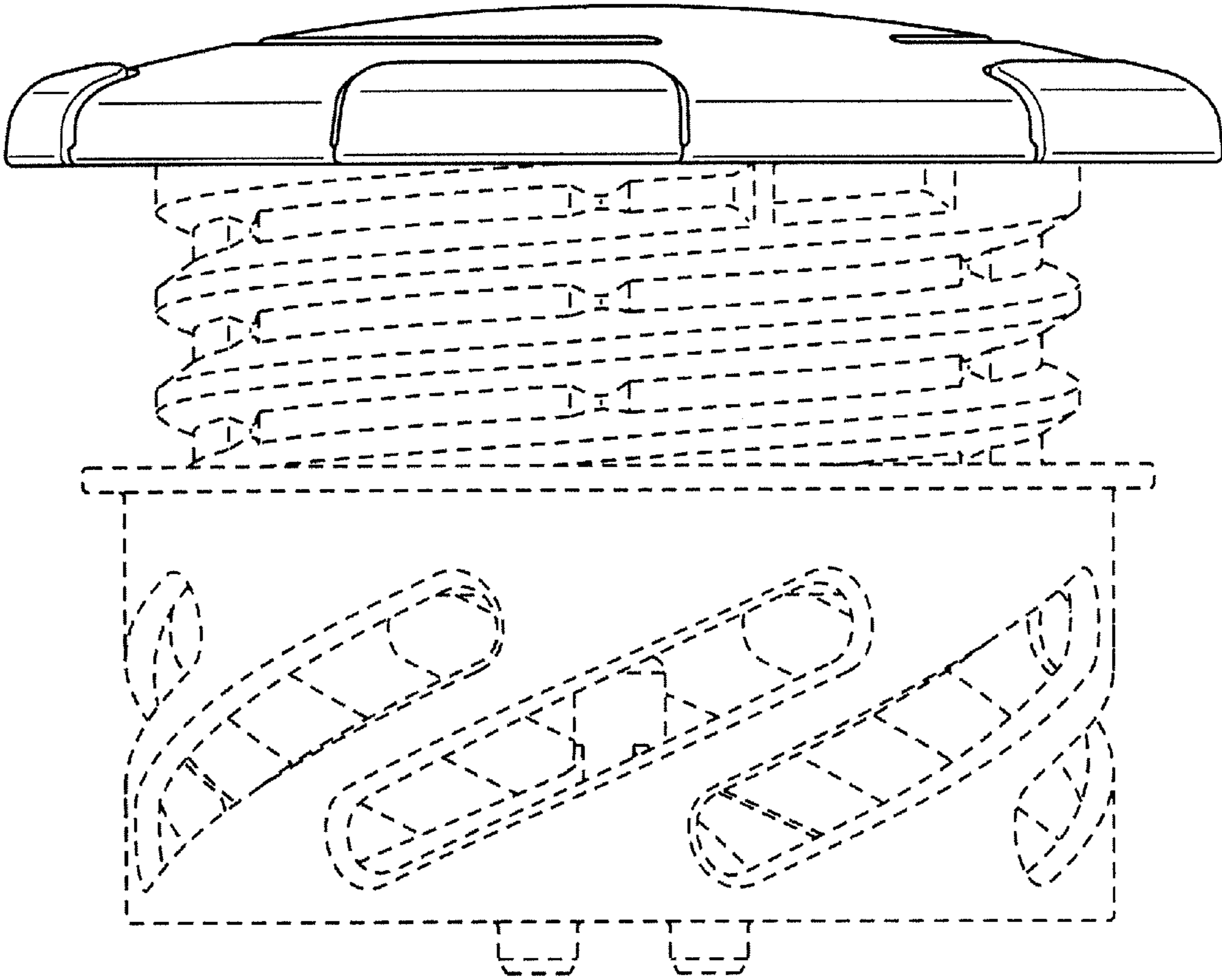


FIG. 5

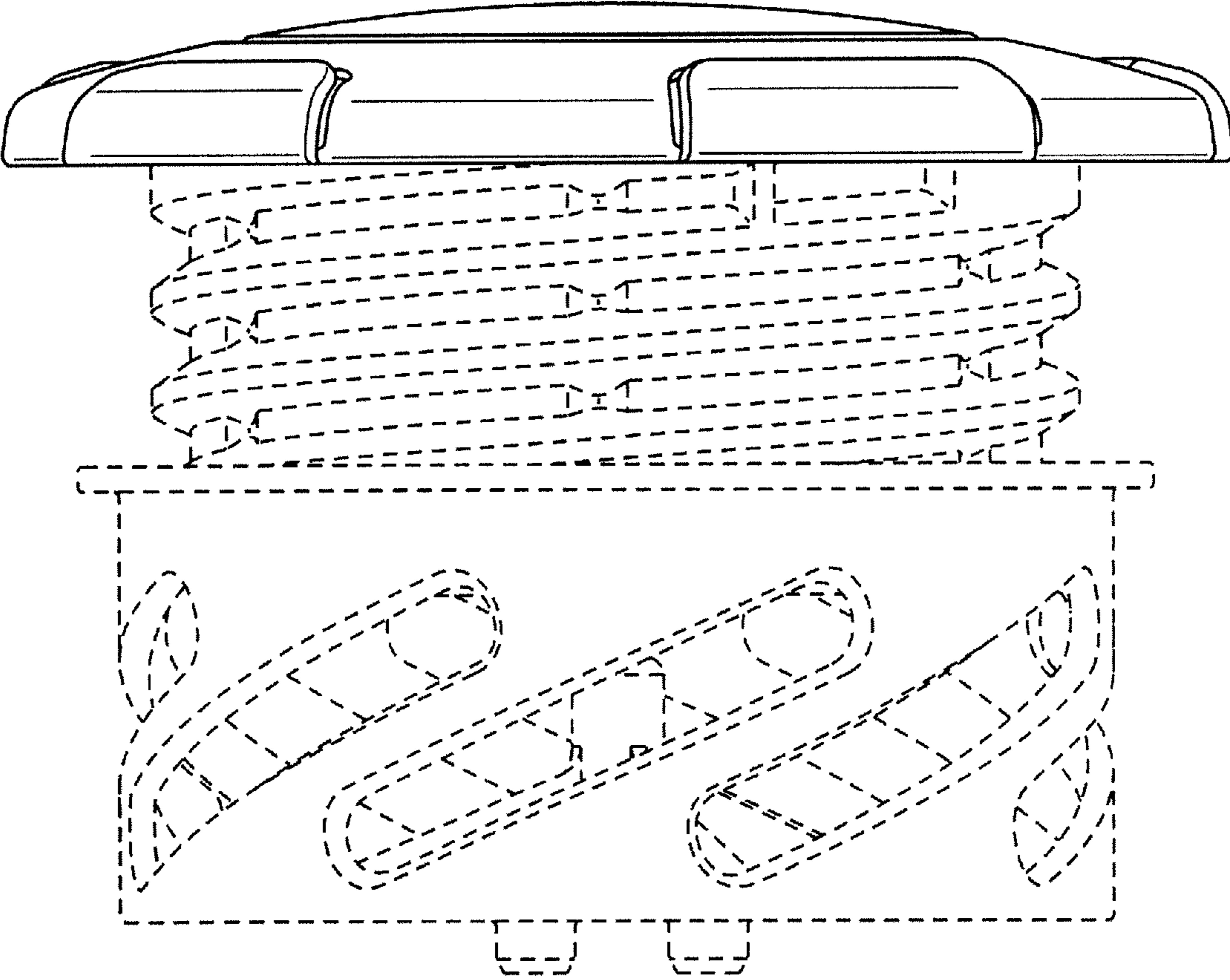


FIG. 6

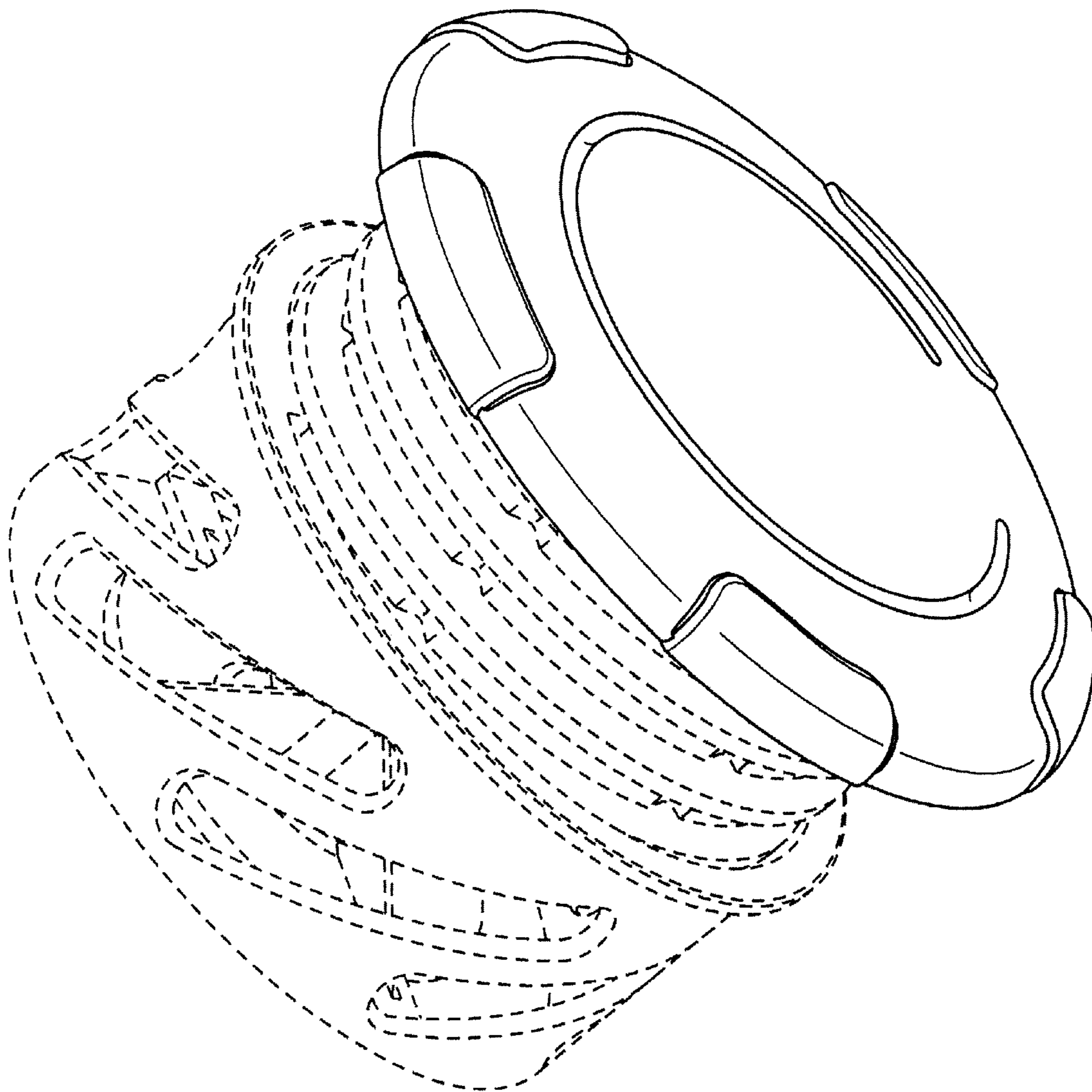


FIG. 7