



US00D737127S

(12) **United States Design Patent**
Yeh

(10) **Patent No.:** **US D737,127 S**

(45) **Date of Patent:** **** Aug. 25, 2015**

(54) **COUPLING**

(71) Applicant: **David Hong Yeh**, Mercer Island, WA
(US)

(72) Inventor: **David Hong Yeh**, Mercer Island, WA
(US)

(**) Term: **14 Years**

(21) Appl. No.: **29/482,006**

(22) Filed: **Feb. 12, 2014**

(51) **LOC (10) Cl.** **08-08**

(52) **U.S. Cl.**
USPC **D8/382**

(58) **Field of Classification Search**
USPC D8/349, 350, 353, 354, 355, 356, 359,
D8/366, 367, 373, 374, 381, 382, 383,
D8/385; D13/110, 133, 155; D23/254,
D23/262, 265, 266
CPC B61G 5/00; B61G 5/06; B61G 5/08;
B61G 5/10; H01R 9/0521; H01R 4/22;
H01R 4/28; H01R 9/0503; H01R 13/6464;
H01R 24/62; H02J 1/00; H02J 2001/006;
H02J 2001/008; H02G 1/00; H02G 1/04
See application file for complete search history.

(56) **References Cited**

U.S. PATENT DOCUMENTS

2,747,899	A	5/1956	Wiltse	
3,285,551	A	11/1966	Tschanz	
3,889,989	A	6/1975	Legris	
D285,048	S	8/1986	Beck	
D287,333	S	12/1986	Knudson	
D303,710	S *	9/1989	Neill	D24/232
D305,532	S	1/1990	Gallo et al.	
5,117,479	A	5/1992	Erdman et al.	
D329,043	S	9/1992	Rogers et al.	
D347,467	S	5/1994	Medvick	
D374,862	S	10/1996	Lee	
D383,053	S *	9/1997	Schrader et al.	D8/382

D383,378	S *	9/1997	Schrader et al.	D8/382
D400,670	S	11/1998	Sorkin	
D412,738	S *	8/1999	Kuwabara	D23/233
D414,462	S	9/1999	Peterson et al.	
D417,138	S	11/1999	Sauber	
D419,860	S *	2/2000	Persson	D8/382
D424,919	S *	5/2000	Sato et al.	D8/382
D435,830	S *	1/2001	Cheng	D13/133
D464,409	S	10/2002	Nishio	
D483,094	S *	12/2003	Wilk et al.	D23/262
D495,404	S *	8/2004	Wilk et al.	D23/262
D500,475	S *	1/2005	Noro et al.	D13/133
D504,312	S *	4/2005	Peacock	D8/382

(Continued)

FOREIGN PATENT DOCUMENTS

JP 2010106993 A 5/2010

OTHER PUBLICATIONS

“Amico Stainless Steel Cable Glad Connector” May 17 2012, Amazon.com, cited Apr. 13, 2015 <http://www.amazon.com/Amico-Stainless-6-0-12-0mm-Connector-Locknut/dp/B00843ULPY>.

(Continued)

Primary Examiner — Eric Goodman

Assistant Examiner — Bao-Yen Nguyen

(74) *Attorney, Agent, or Firm* — Lane Powell PC

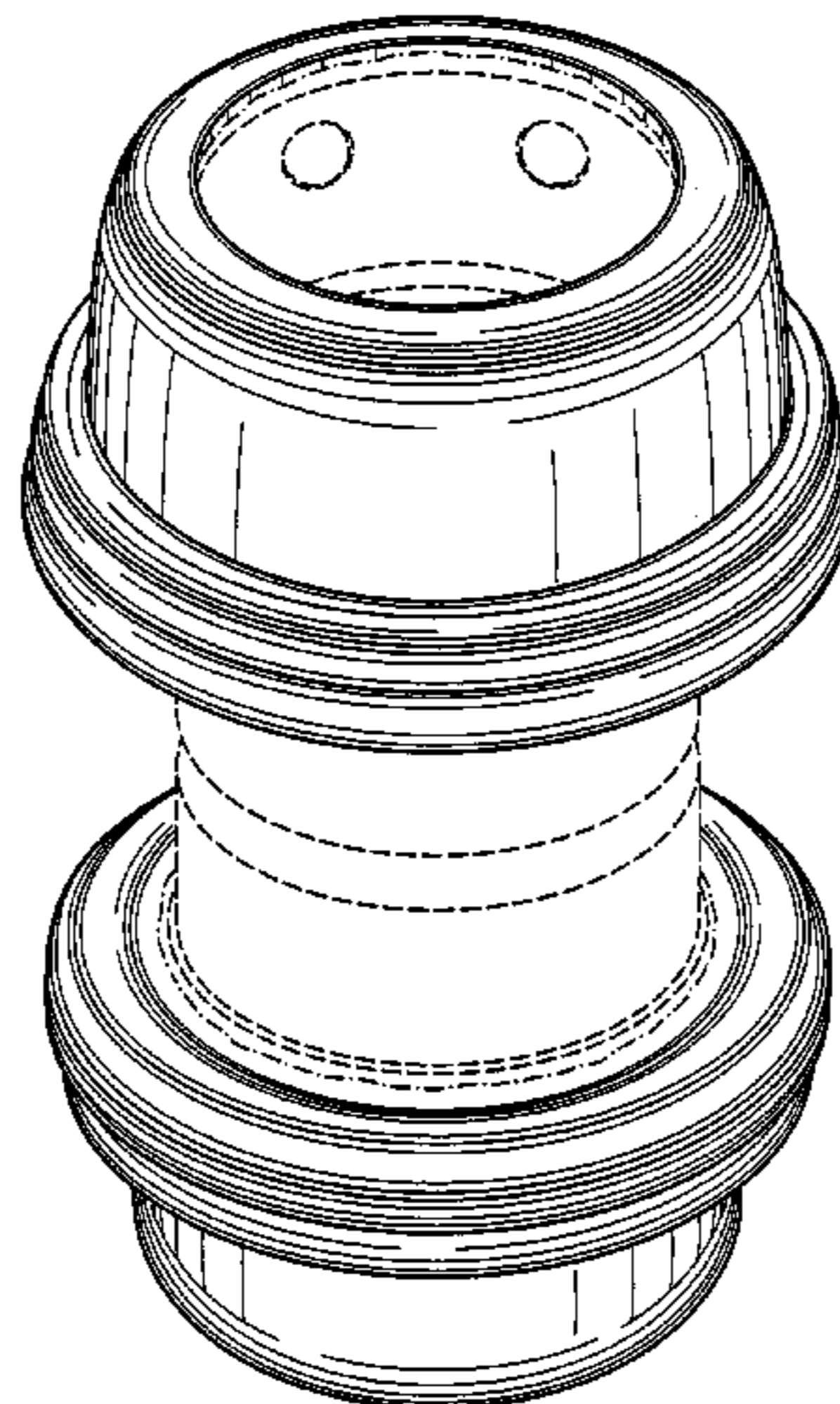
(57) **CLAIM**

The ornamental design for a coupling, as shown and described.

DESCRIPTION

FIG. 1 is a top, front, isometric view of the coupling; FIG. 2 is a front, plan view thereof; the left, right and back, plan views being mirror images thereof; and, FIG. 3 is a top, plan view thereof; the bottom, plan view being a mirror image thereof. The broken lines depict portions of the coupling and form no part of the claimed design.

1 Claim, 2 Drawing Sheets



(56)

References Cited

U.S. PATENT DOCUMENTS

D517,904 S * 3/2006 Alkalay D8/382
 D518,559 S * 4/2006 Ostergaard et al. D23/262
 D524,427 S * 7/2006 Wilk et al. D23/262
 D529,865 S * 10/2006 LaPere D13/133
 D530,669 S * 10/2006 Shing D13/133
 D573,537 S * 7/2008 Svoboda et al. D13/133
 D574,067 S 7/2008 Pampinella et al.
 D577,674 S 9/2008 Long et al.
 D577,795 S 9/2008 Smith et al.
 D584,228 S * 1/2009 Strickland, Jr. D13/133
 D592,596 S 5/2009 Kolton
 D599,289 S 9/2009 Roos
 D599,894 S * 9/2009 Price et al. D23/262
 D606,494 S * 12/2009 Holliday D13/133
 D607,547 S * 1/2010 Maier et al. D23/262
 D614,270 S 4/2010 Green et al.
 D623,142 S * 9/2010 Amidon D13/154
 D624,019 S 9/2010 Victor
 D624,508 S * 9/2010 Amidon D13/154

7,841,630 B1 11/2010 Auray
 D631,848 S * 2/2011 Montena et al. D13/154
 D637,697 S * 5/2011 Steiner D23/262
 D647,391 S 10/2011 Barrese
 D649,862 S 12/2011 Arvinte et al.
 D650,052 S 12/2011 Drenth
 D651,696 S 1/2012 Giordano
 D654,150 S * 2/2012 Bonhag et al. D23/259
 D665,471 S 8/2012 Fossum et al.
 D676,940 S * 2/2013 Kluss et al. D23/262
 D678,755 S * 3/2013 Weidemann et al. D8/382
 D691,879 S 10/2013 Bernard
 D693,774 S 11/2013 Scime
 D719,646 S * 12/2014 Melo D23/266

OTHER PUBLICATIONS

International Search Report and Written Opinion dated Feb. 24, 2015
 in PCT Patent Application No. PCT/US2014/066234.
 Office Action dated Feb. 27, 2015 in U.S. Appl. No. 29/482,009.

* cited by examiner

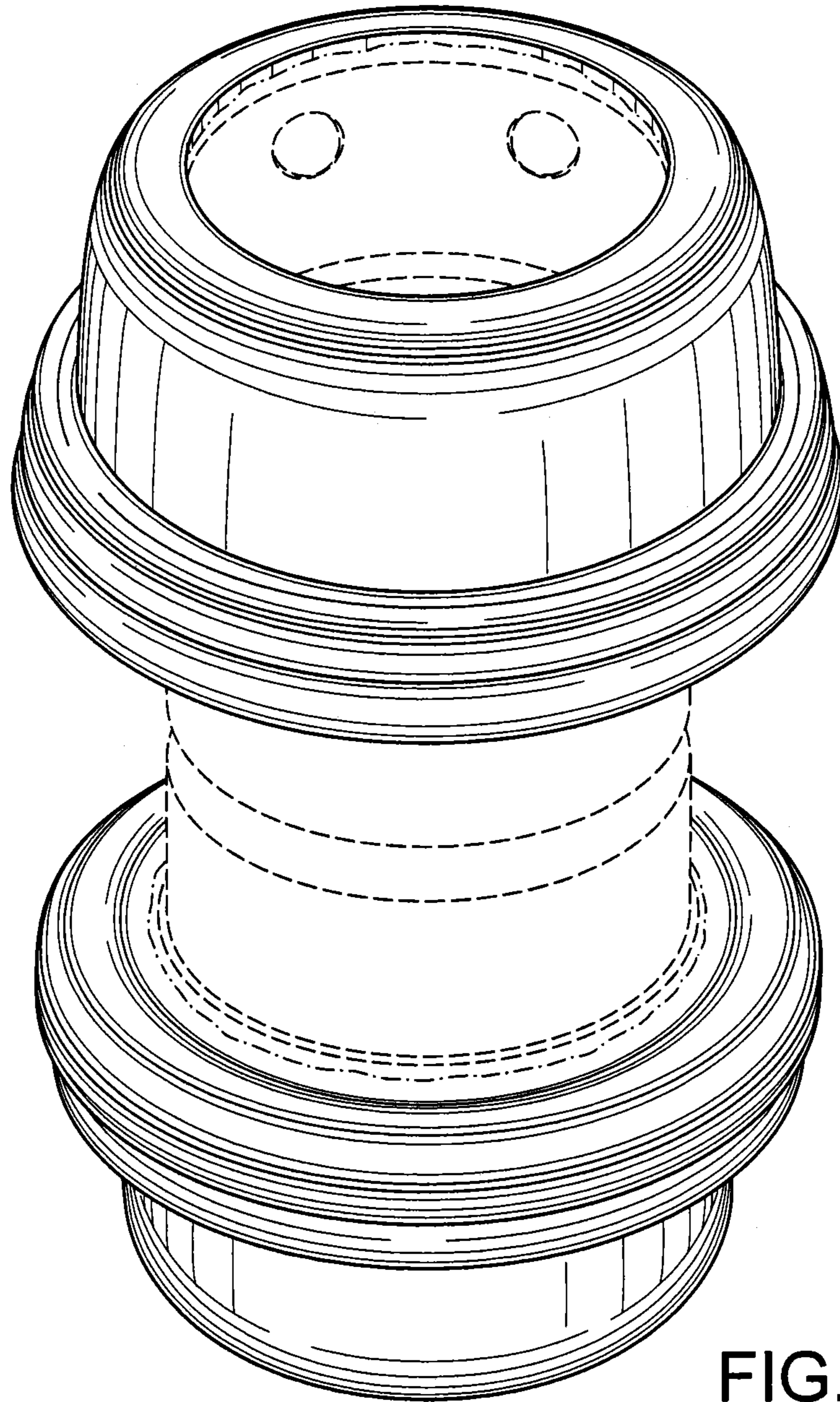


FIG. 1

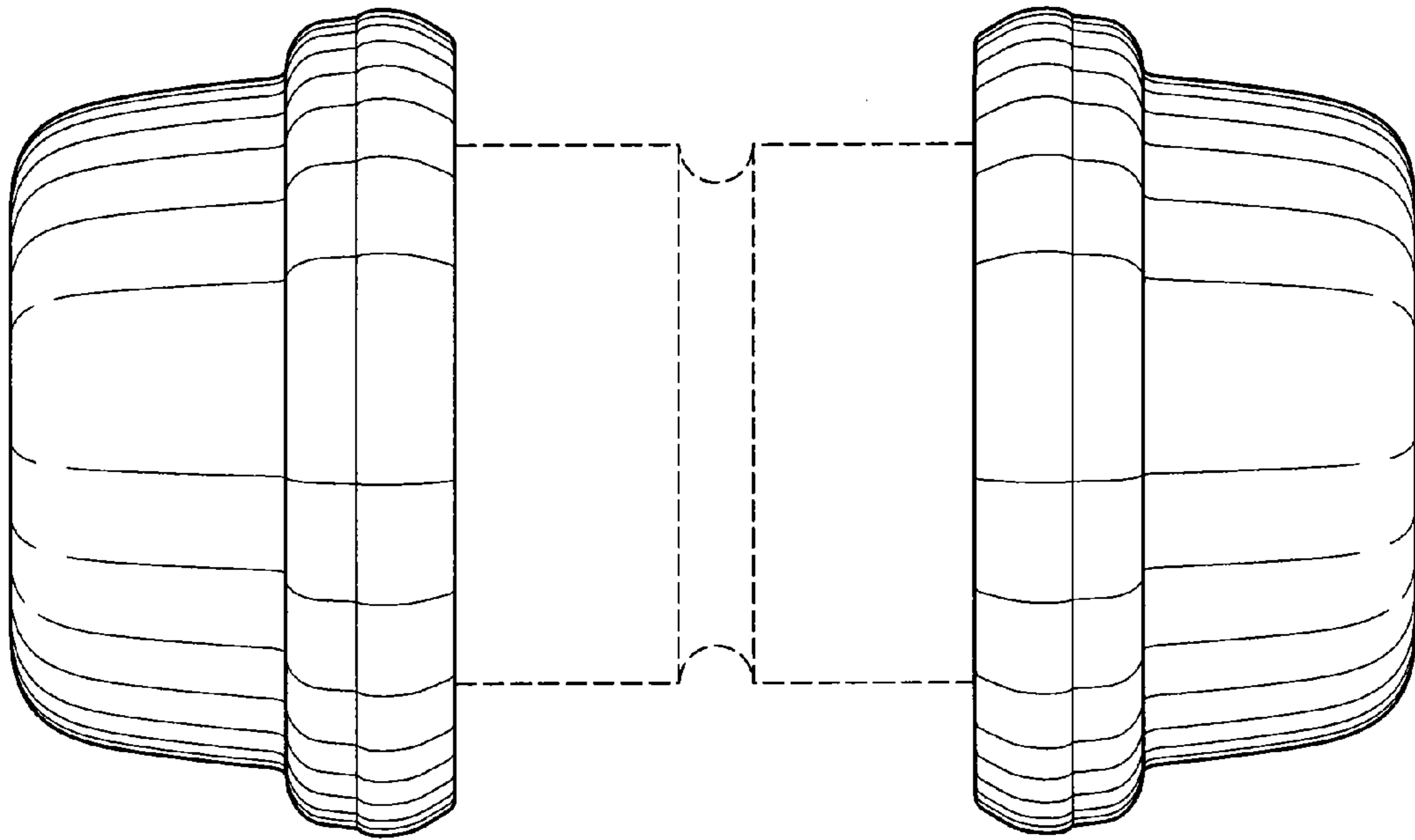


FIG. 2

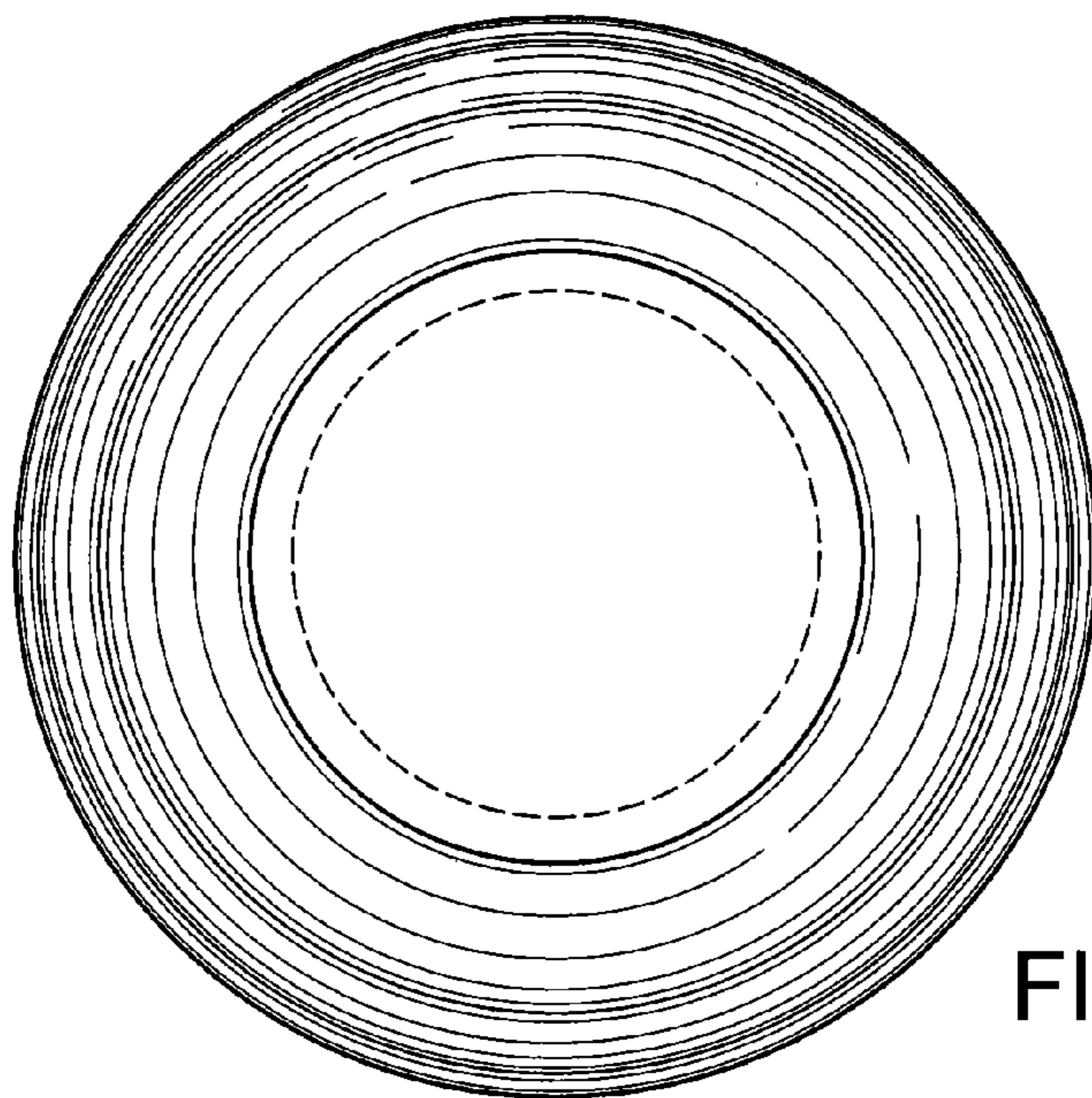


FIG. 3