



US00D737126S

(12) **United States Design Patent**  
**Tschan**

(10) **Patent No.:** **US D737,126 S**

(45) **Date of Patent:** **\*\* Aug. 25, 2015**

(54) **SPRAY GUN HOLDER**

(71) Applicant: **SATA GmbH & Co. KG**, Kornwestheim (DE)

(72) Inventor: **Alexander Tschan**, Kornwestheim (DE)

(73) Assignee: **SATA GMBH & CO. KG**, Kornwestheim (DE)

(\*\*) Term: **14 Years**

(21) Appl. No.: **29/481,809**

(22) Filed: **Feb. 11, 2014**

(30) **Foreign Application Priority Data**

Aug. 16, 2013 (CN) ..... 2013 3 0393773

(51) **LOC (10) Cl.** ..... **08-05**

(52) **U.S. Cl.**  
USPC ..... **D8/373**

(58) **Field of Classification Search**  
USPC ..... D8/383, 374, 300, 303, 313, 314, 394, D8/396, 380, 373, 395, 363, 381, 44, 19, D8/352, 370, 308, 372, 376; D13/133; D19/1; D22/108; D26/87; D9/686, D9/687; D23/238; D6/300  
CPC ..... F16B 12/44; F16B 12/46; F16B 5/0614; F16B 12/02; E04B 1/2612; E04B 2001/2415; E04B 1/5818; E04B 1/5831; A47B 88/0055; E04F 11/1812

See application file for complete search history.

(56) **References Cited**

U.S. PATENT DOCUMENTS

D25,861 S *	8/1896	Mueller	.....	D8/383
D185,795 S *	8/1959	Mirrione	.....	D8/383
D208,302 S *	8/1967	Romano	.....	D8/395
D215,727 S *	10/1969	Gilb	.....	D8/373
D253,808 S *	1/1980	Lange et al.	.....	D8/371
D562,675 S *	2/2008	Cox et al.	.....	D8/395
D668,530 S *	10/2012	Bermudez et al.	.....	D8/372

\* cited by examiner

*Primary Examiner* — Robert M Spear

*Assistant Examiner* — Eliza Bennett-Hattan

(74) *Attorney, Agent, or Firm* — Paul D. Bianco; Martin Fleit; Fleit Gibbons Gutman Bongini & Bianco PL

(57) **CLAIM**

The ornamental design for a spray gun holder, as shown and described.

**DESCRIPTION**

FIG. 1 is a perspective view of a spray gun holder according to the invention;

FIG. 2 is a first end view thereof;

FIG. 3 is a second end view, opposite the first end view, thereof;

FIG. 4 is a top view thereof;

FIG. 5 is a bottom view thereof;

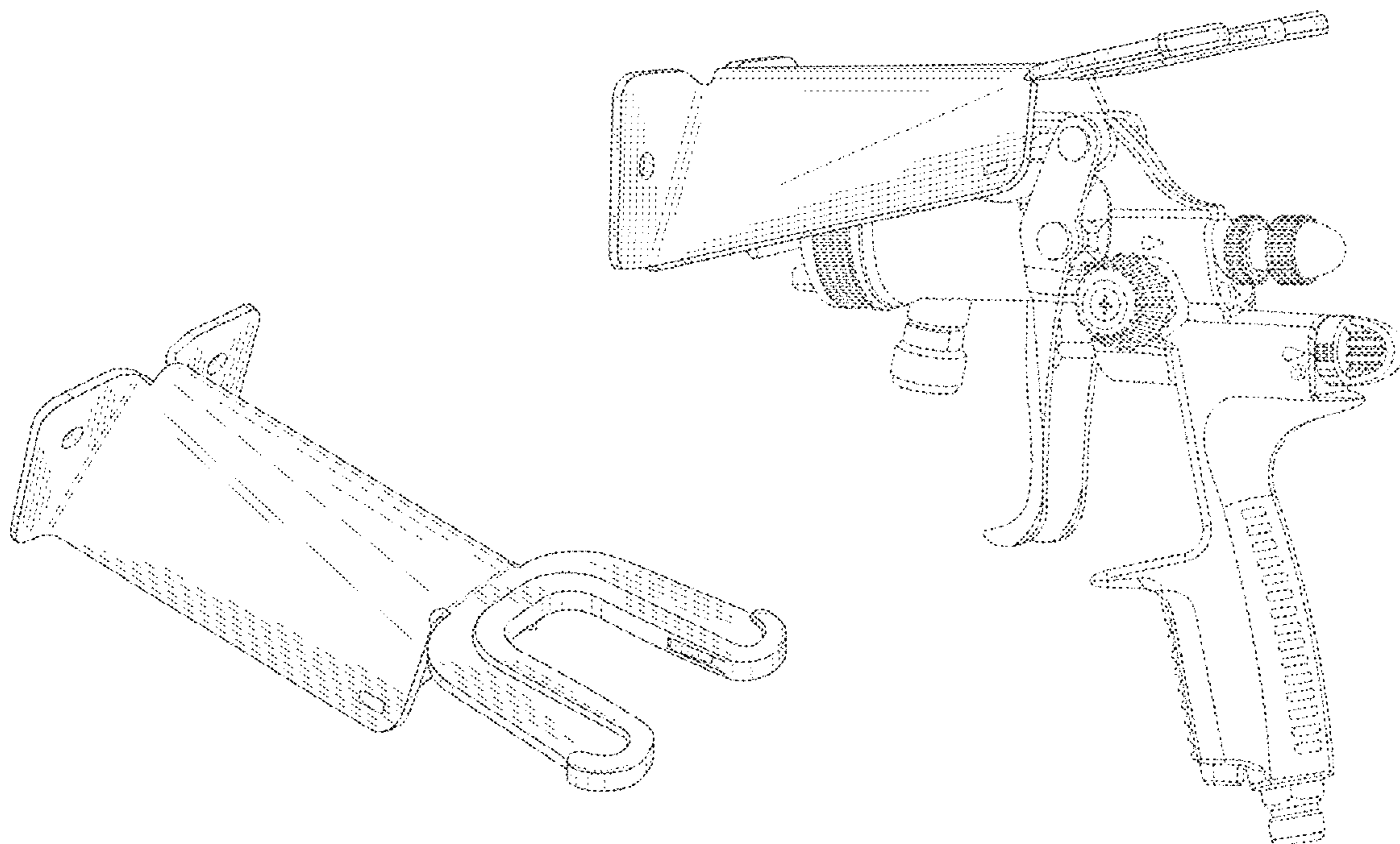
FIG. 6 is a first side view thereof;

FIG. 7 is a second side view, opposite the first end view, thereof; and,

FIG. 8 is a perspective view of the spray gun holder of FIG. 1 in use with a spray gun.

The features shown in broken line depict environmental subject matter only and form no part of the claimed design.

**1 Claim, 5 Drawing Sheets**



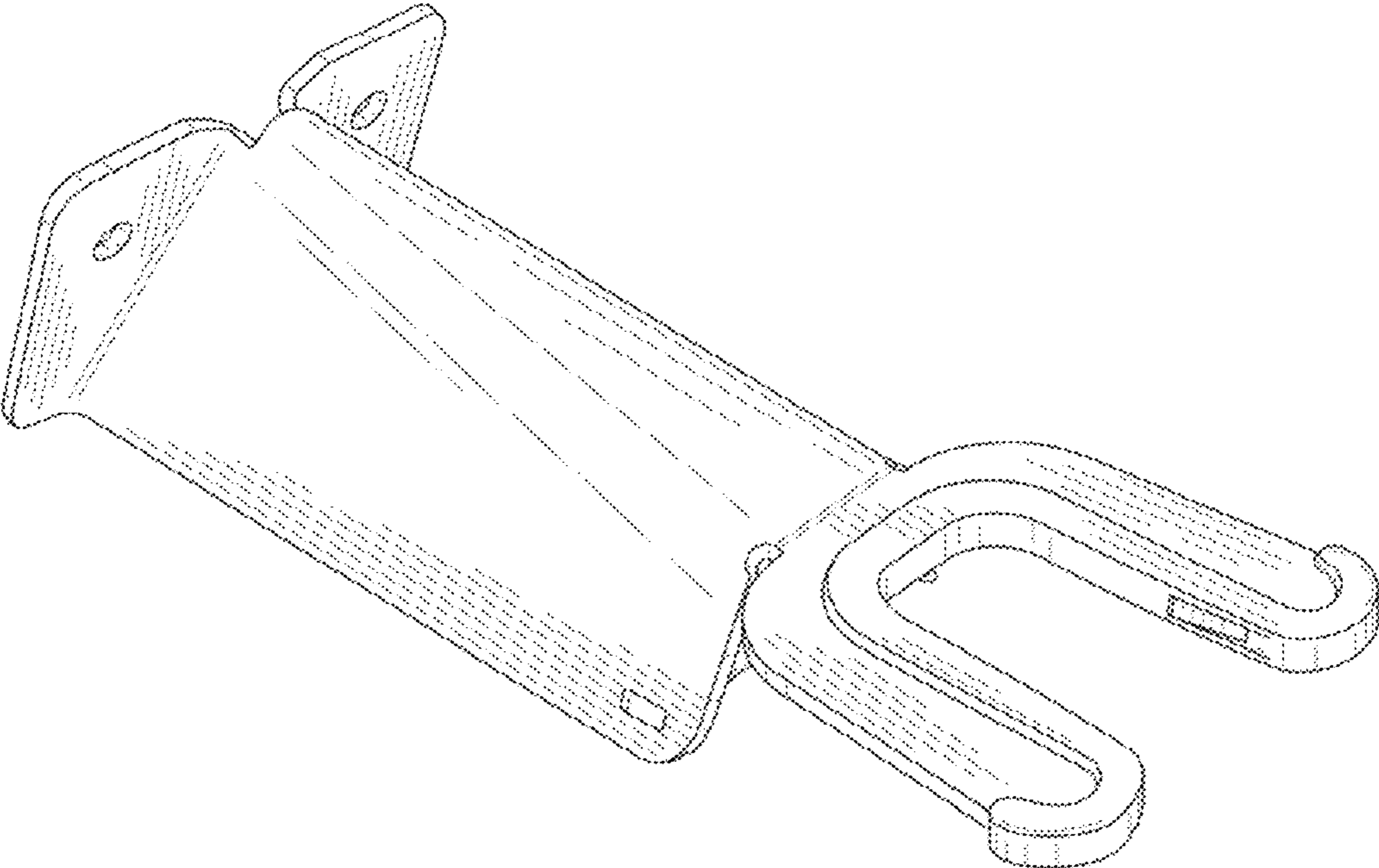


FIG. 1

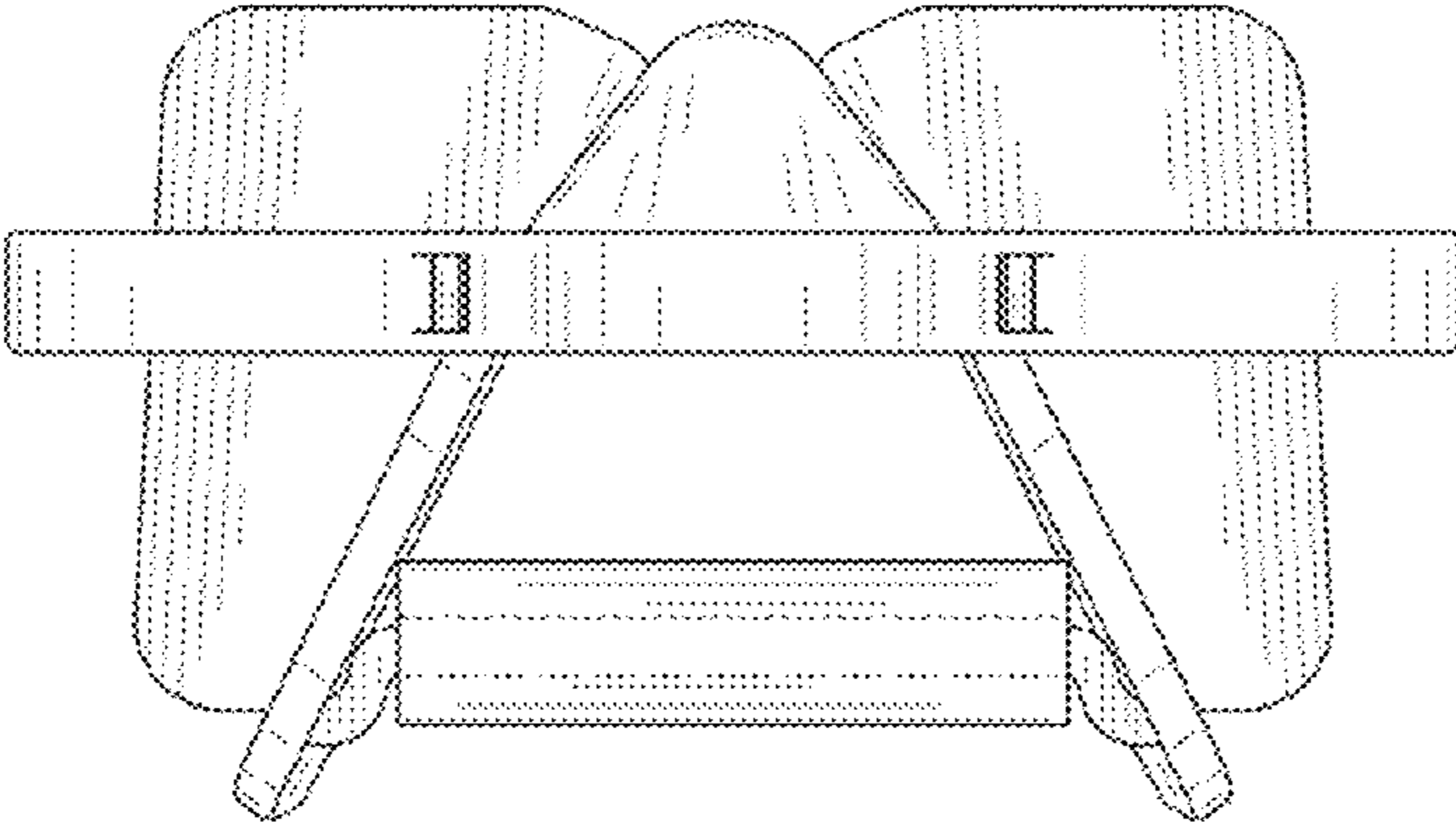


FIG. 2

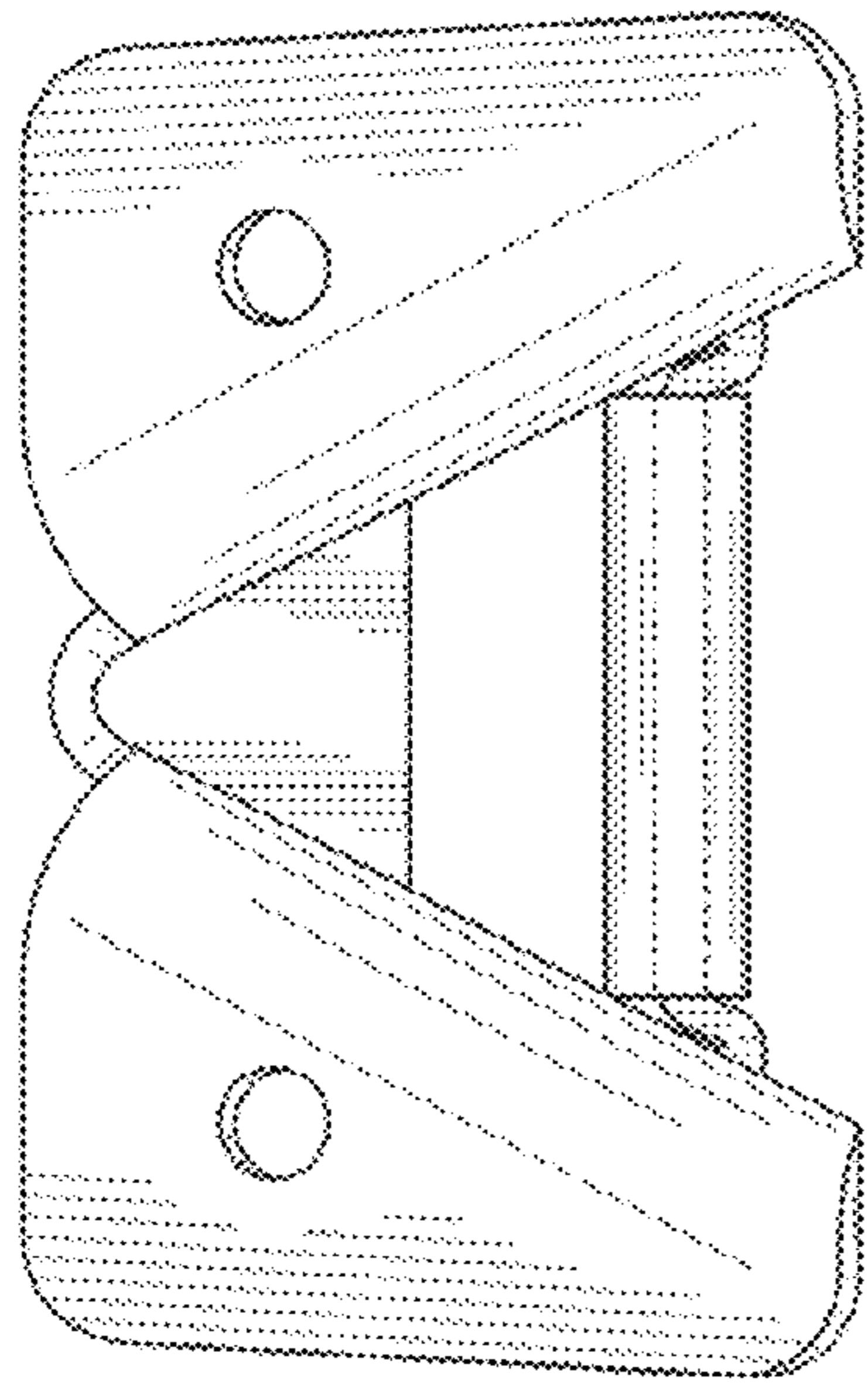


FIG. 3

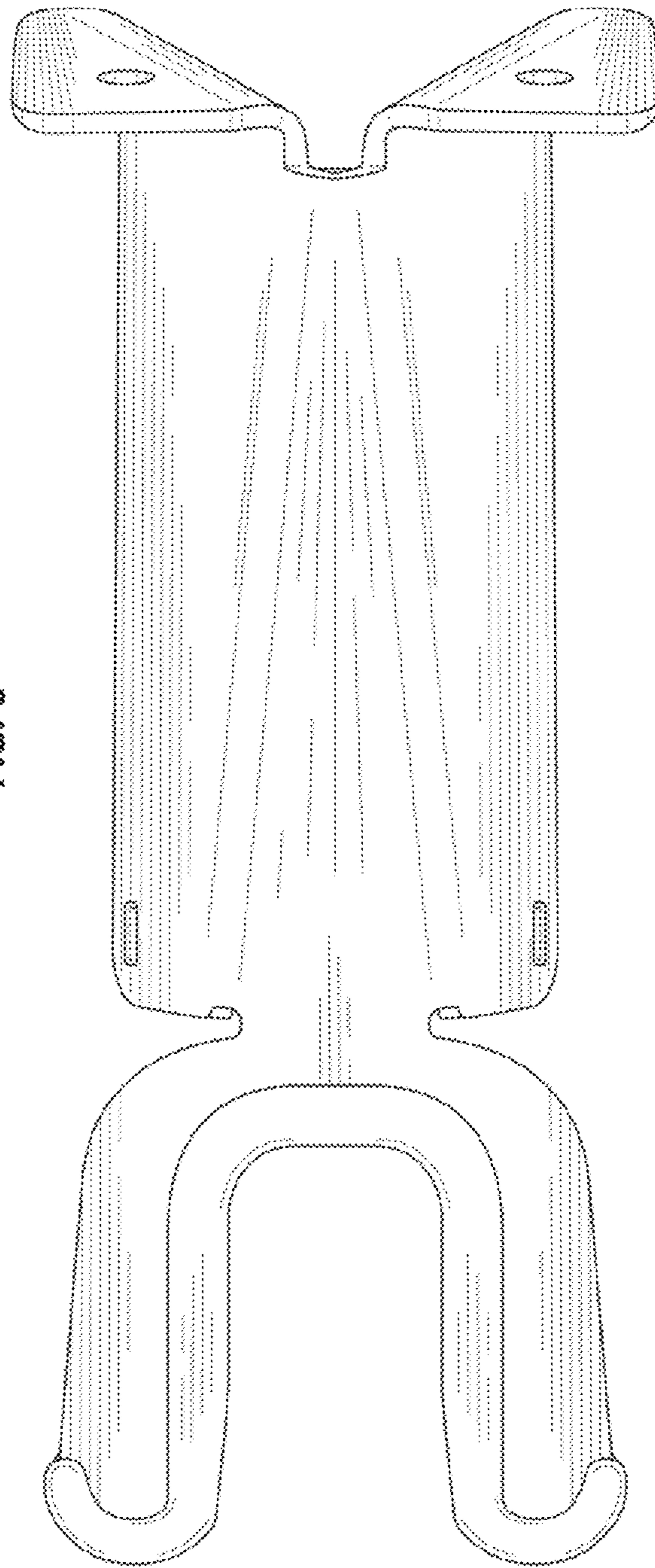


FIG. 4

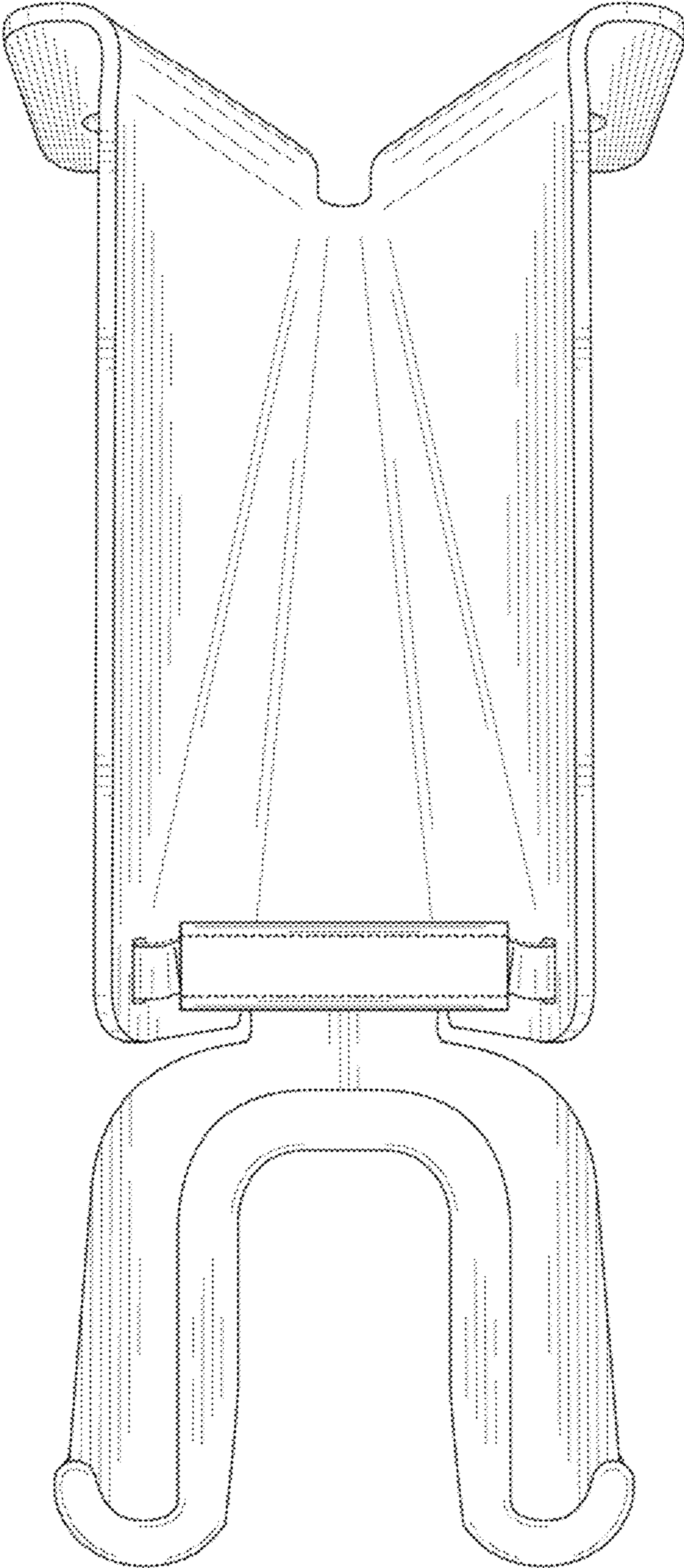


FIG. 5

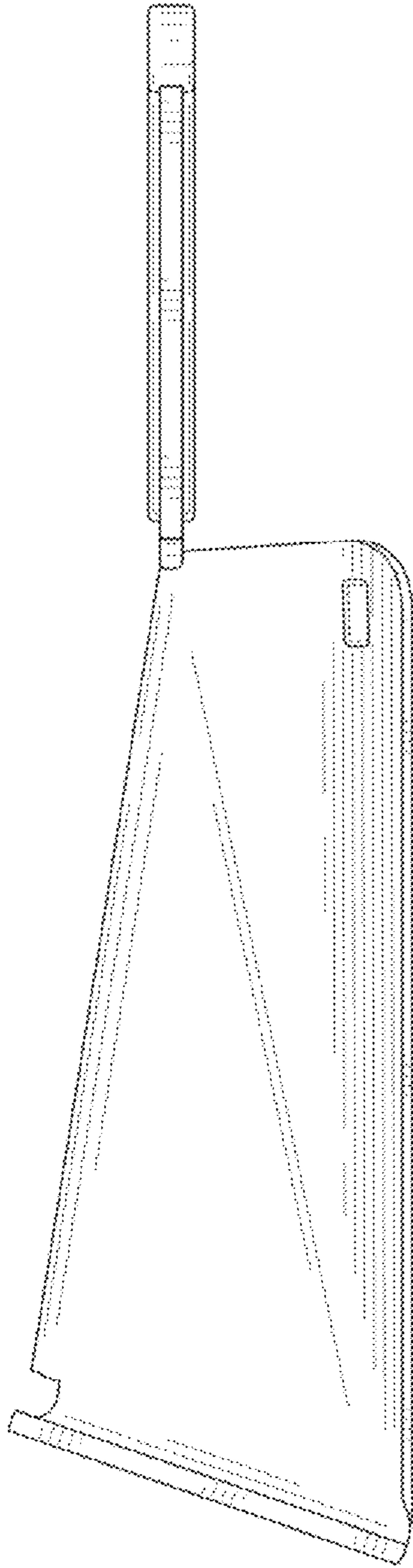


FIG. 6

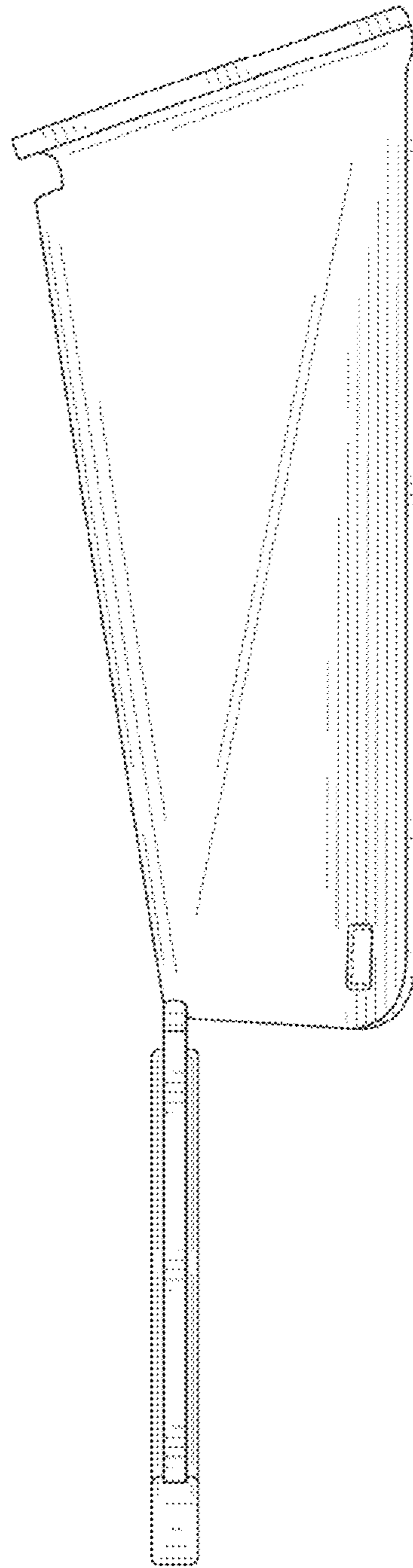


FIG. 7

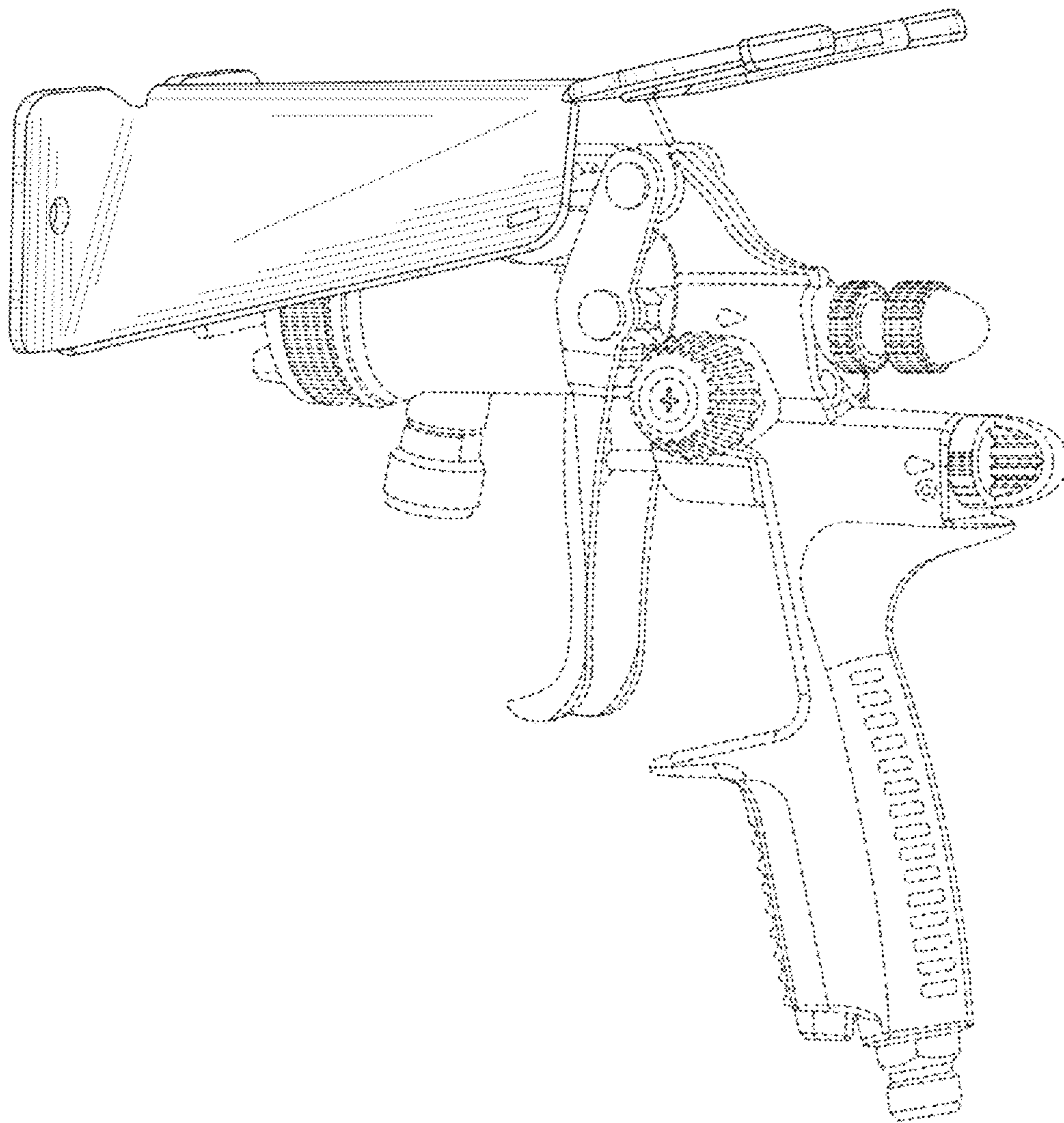


FIG. 8