



US00D737125S

(12) **United States Design Patent**  
**Callif et al.**

(10) **Patent No.:** **US D737,125 S**  
(45) **Date of Patent:** **\*\* Aug. 25, 2015**

(54) **HANGING DUAL HOOK**

(56) **References Cited**

(71) Applicant: **Liberty Hardware Mfg. Corp.**,  
Winston-Salem, NC (US)  
(72) Inventors: **Adam W. Callif**, Chicago, IL (US);  
**Bridget Soldan**, Chicago, IL (US);  
**Geraint Krumpe**, Chicago, IL (US);  
**Jose Manuel dos Santos**, Chicago, IL  
(US)  
(73) Assignee: **Liberty Hardware Mfg. Corp.**,  
Winston-Salem, NC (US)

U.S. PATENT DOCUMENTS

D219,111 S *	11/1970	Moen .....	D8/372
D323,285 S *	1/1992	Thomson .....	D8/372
D396,405 S *	7/1998	Zaccardelli .....	D8/373
D473,451 S *	4/2003	Goodman et al. ....	D8/367
D550,545 S *	9/2007	Ernst et al. ....	D8/373
D577,575 S *	9/2008	Ernst et al. ....	D8/373
D577,576 S *	9/2008	Ernst et al. ....	D8/373
D577,989 S *	10/2008	Ernst et al. ....	D8/373
D581,771 S *	12/2008	Ernst et al. ....	D8/372
D614,480 S *	4/2010	Goodman et al. ....	D8/372
D665,386 S *	8/2012	Fathollahi .....	D14/250
D701,449 S *	3/2014	Xiao .....	D8/373
D706,611 S *	6/2014	Schraufnagel et al. ....	D8/370

(\*\*) Term: **14 Years**

\* cited by examiner

(21) Appl. No.: **29/492,651**

*Primary Examiner* — Robert M Spear  
*Assistant Examiner* — Eliza Bennett-Hattan

(22) Filed: **Jun. 2, 2014**

(74) *Attorney, Agent, or Firm* — Lora J. Graentzdoerffer

(51) **LOC (10) Cl.** ..... **08-05**

(57) **CLAIM**

(52) **U.S. Cl.**  
USPC ..... **D8/372**

The ornamental design for a hanging dual hook, as shown and described.

(58) **Field of Classification Search**

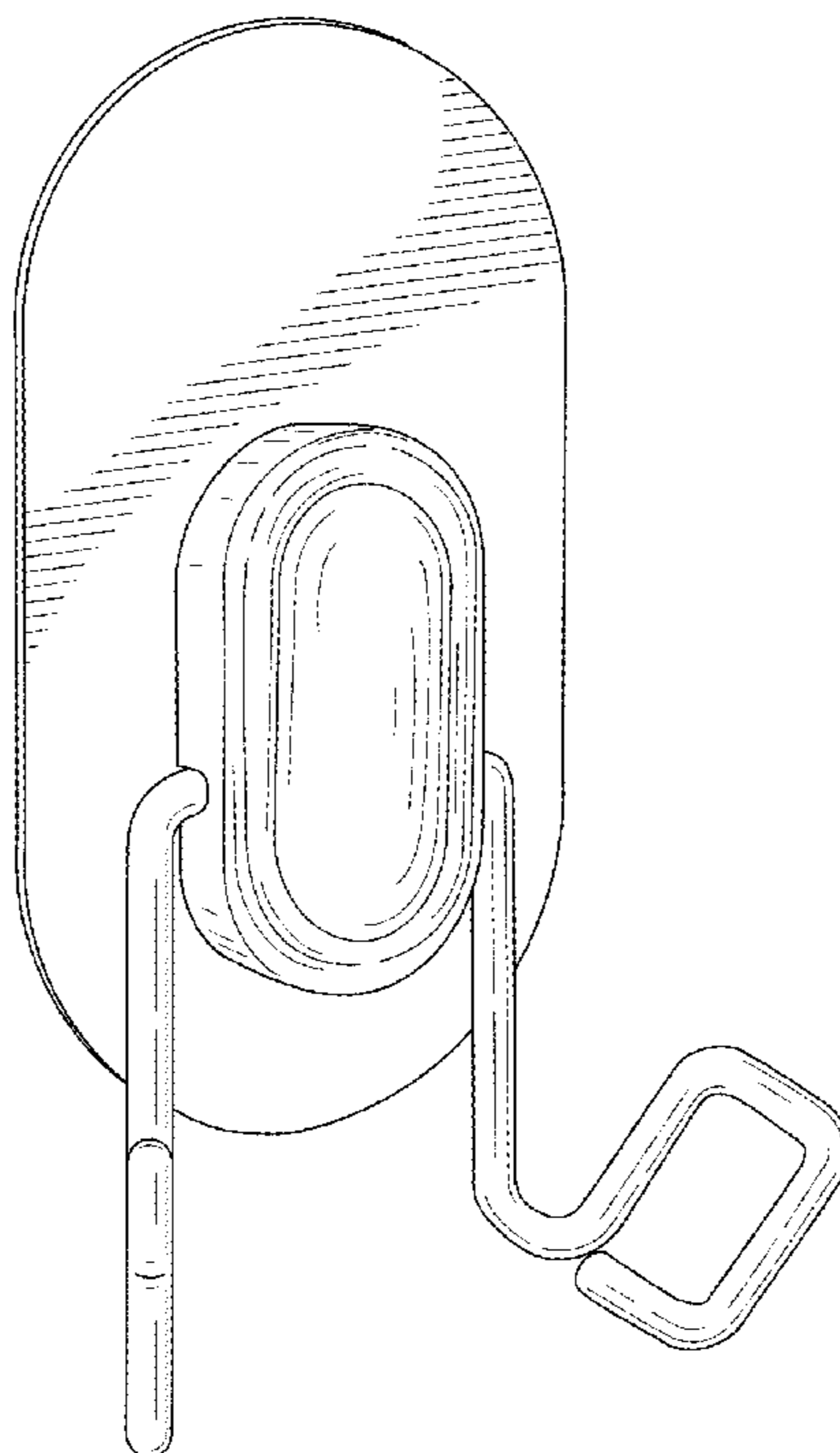
**DESCRIPTION**

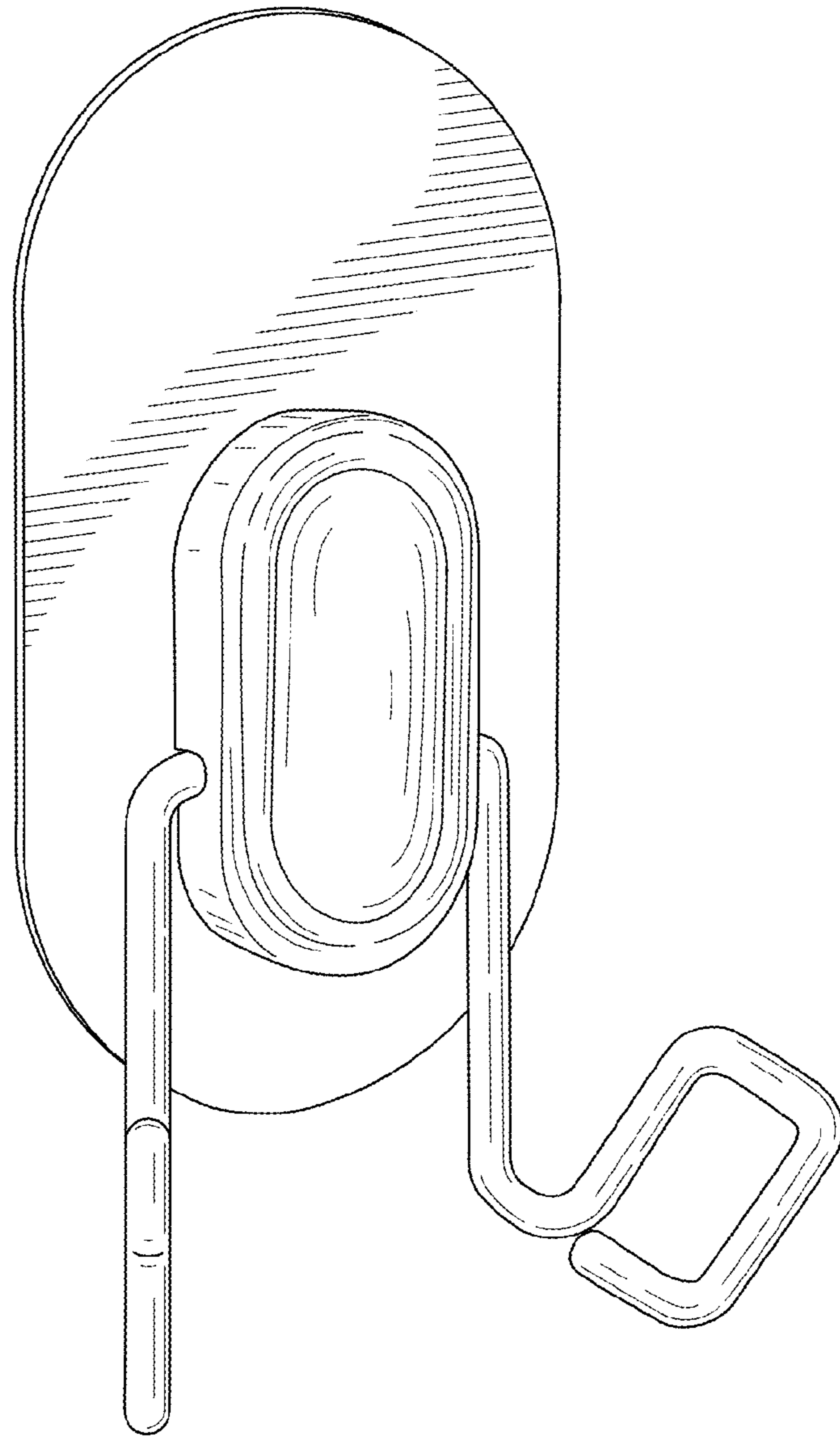
USPC ..... D8/16, 17, 18, 19, 20, 26, 363, 366,  
D8/370–377, 380–382  
CPC ..... B25B 27/00; B25B 27/14; B25B 27/02;  
B25B 9/00; B25B 27/0092; B25B 27/023;  
B25B 31/00; B25B 27/0028; B25B 27/0035;  
B25B 27/062; B25B 33/00; B25B 9/02;  
B25B 13/48; B25B 23/00; B25B 23/10;  
B25B 23/101; B25B 27/10

FIG. 1 is a perspective view of a hanging dual hook showing our design;  
FIG. 2 is a front elevational view;  
FIG. 3 is a rear elevational view;  
FIG. 4 is a left side elevational view;  
FIG. 5 is a right side elevational view;  
FIG. 6 is a top plan view; and,  
FIG. 7 is a bottom plan view.

See application file for complete search history.

**1 Claim, 5 Drawing Sheets**





**FIG. 1**

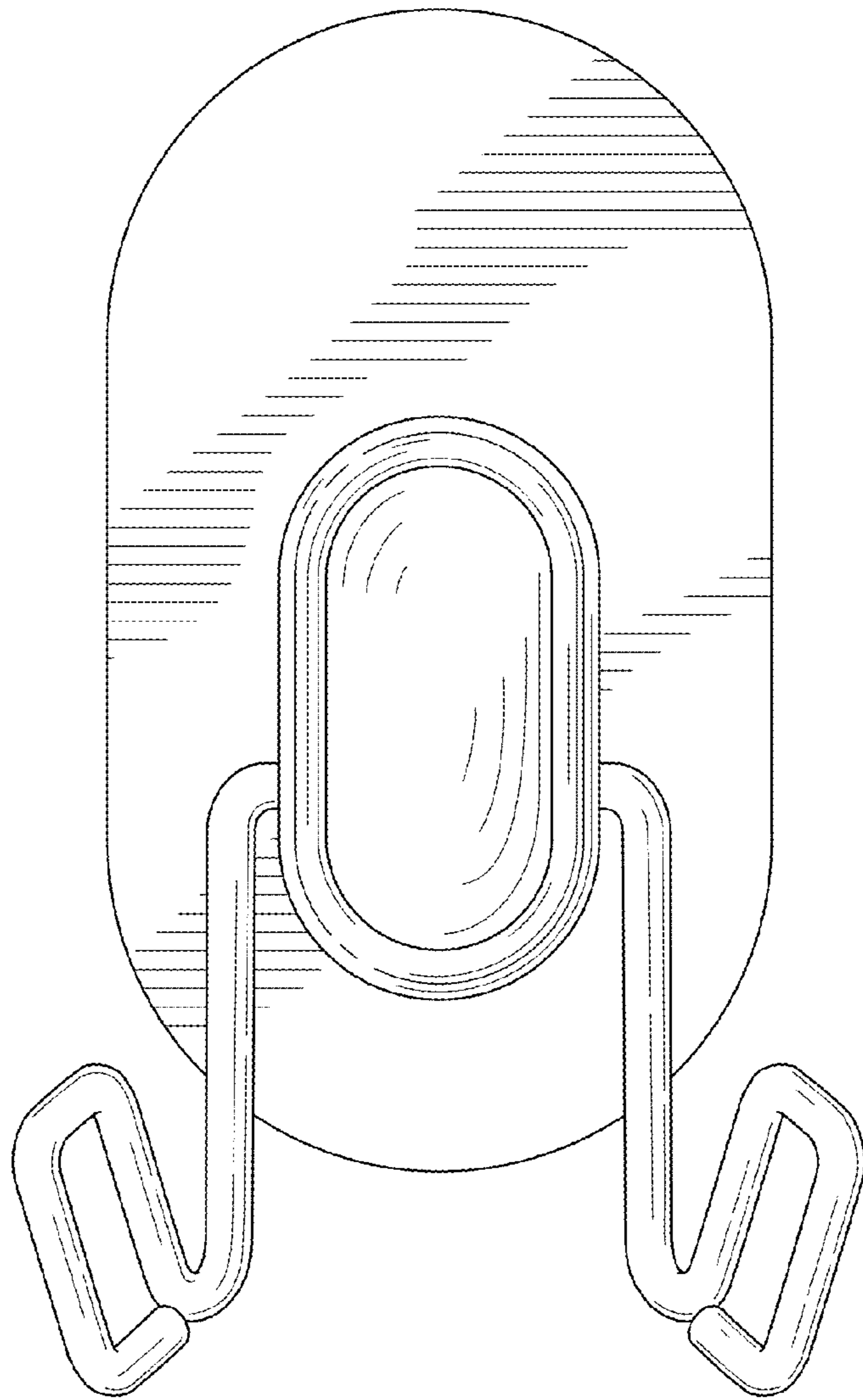
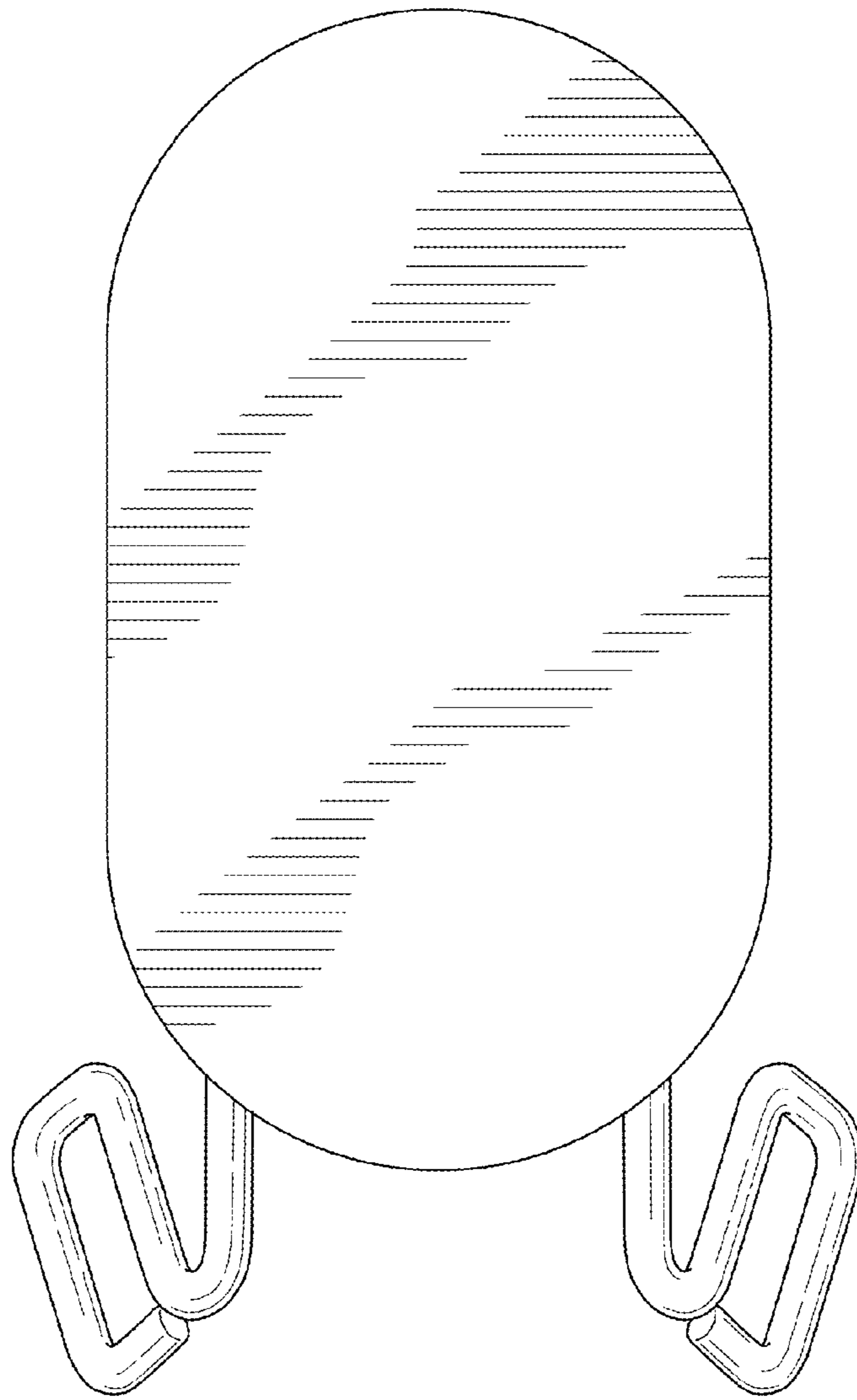


FIG. 2



**FIG. 3**

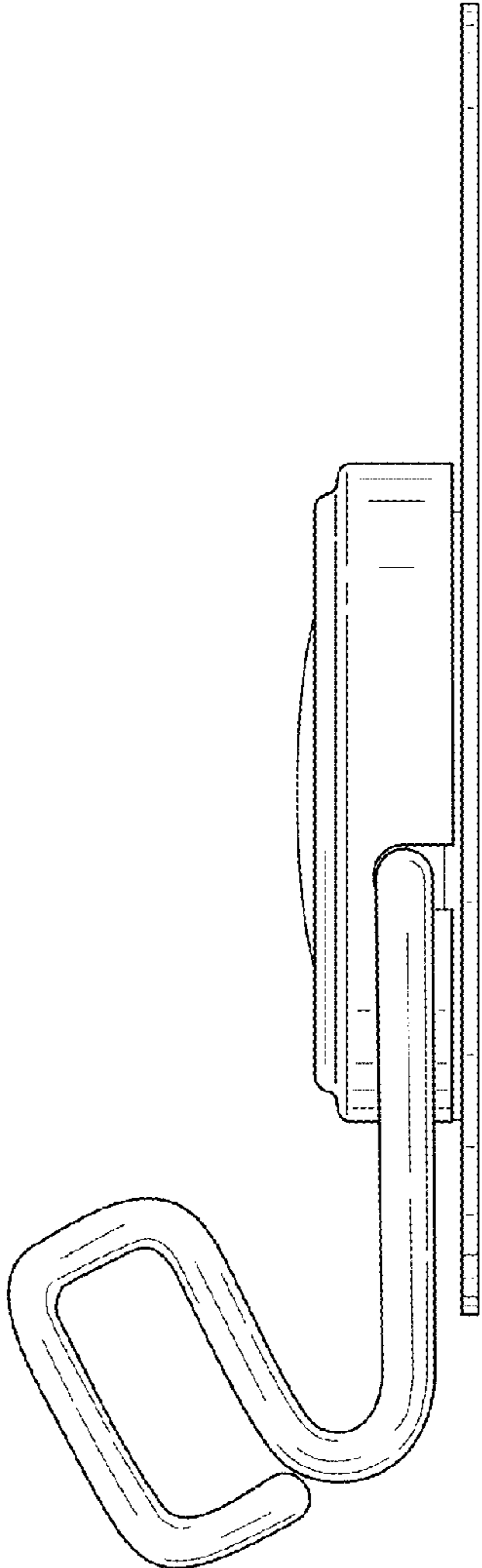


FIG. 4

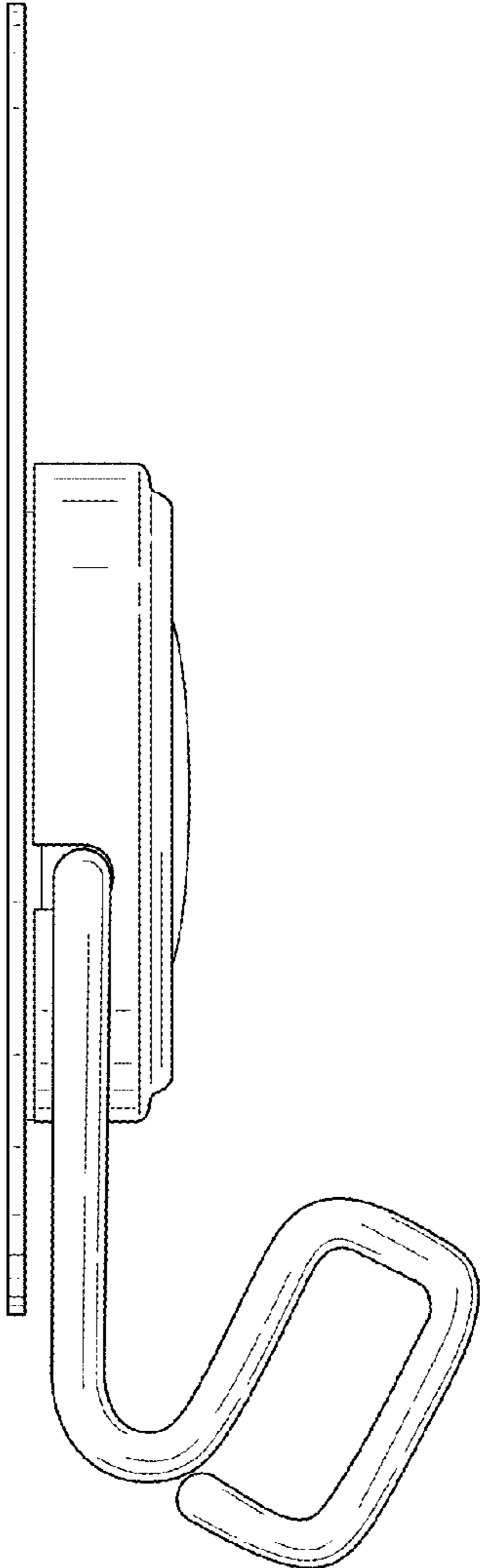
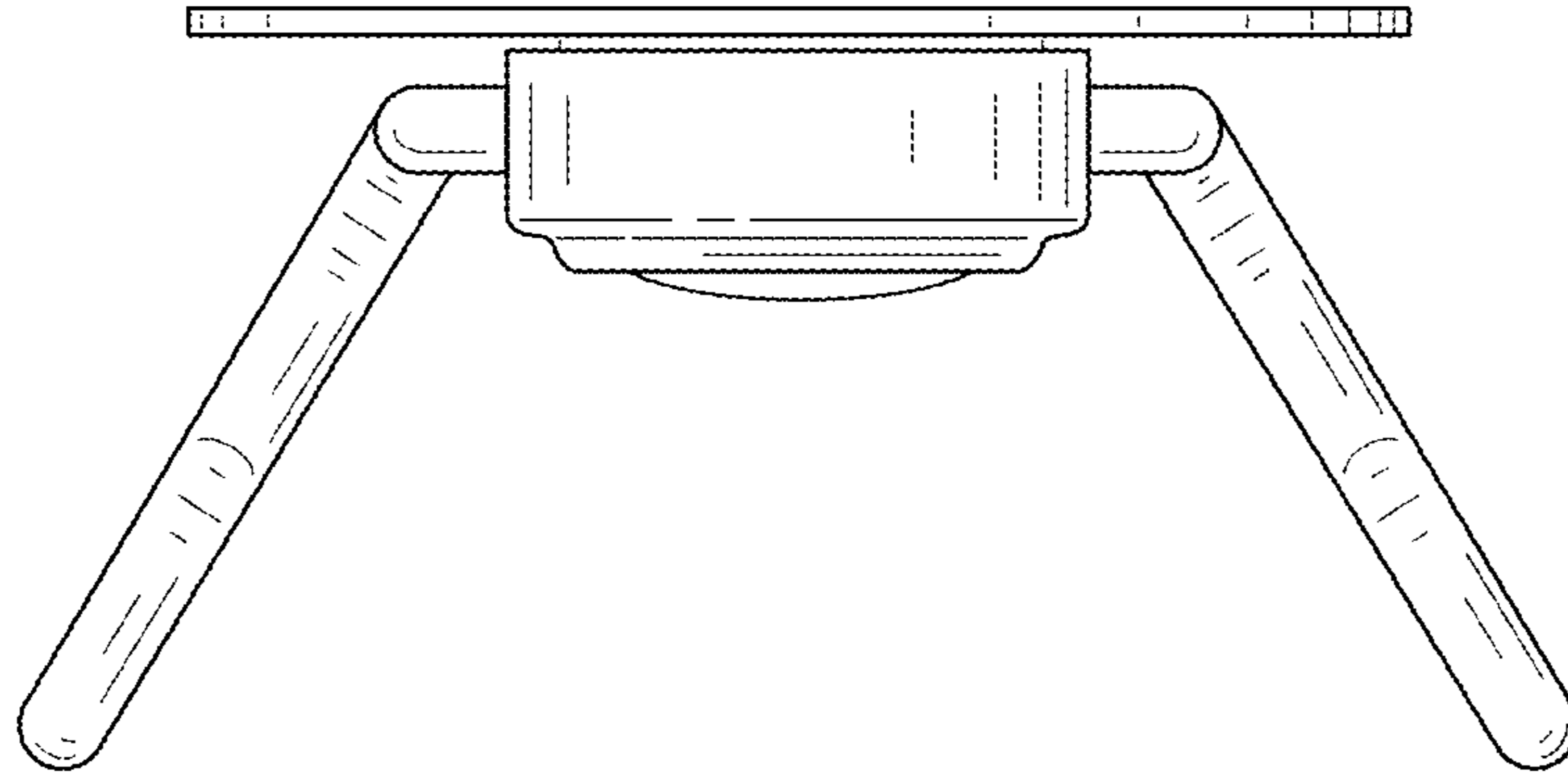
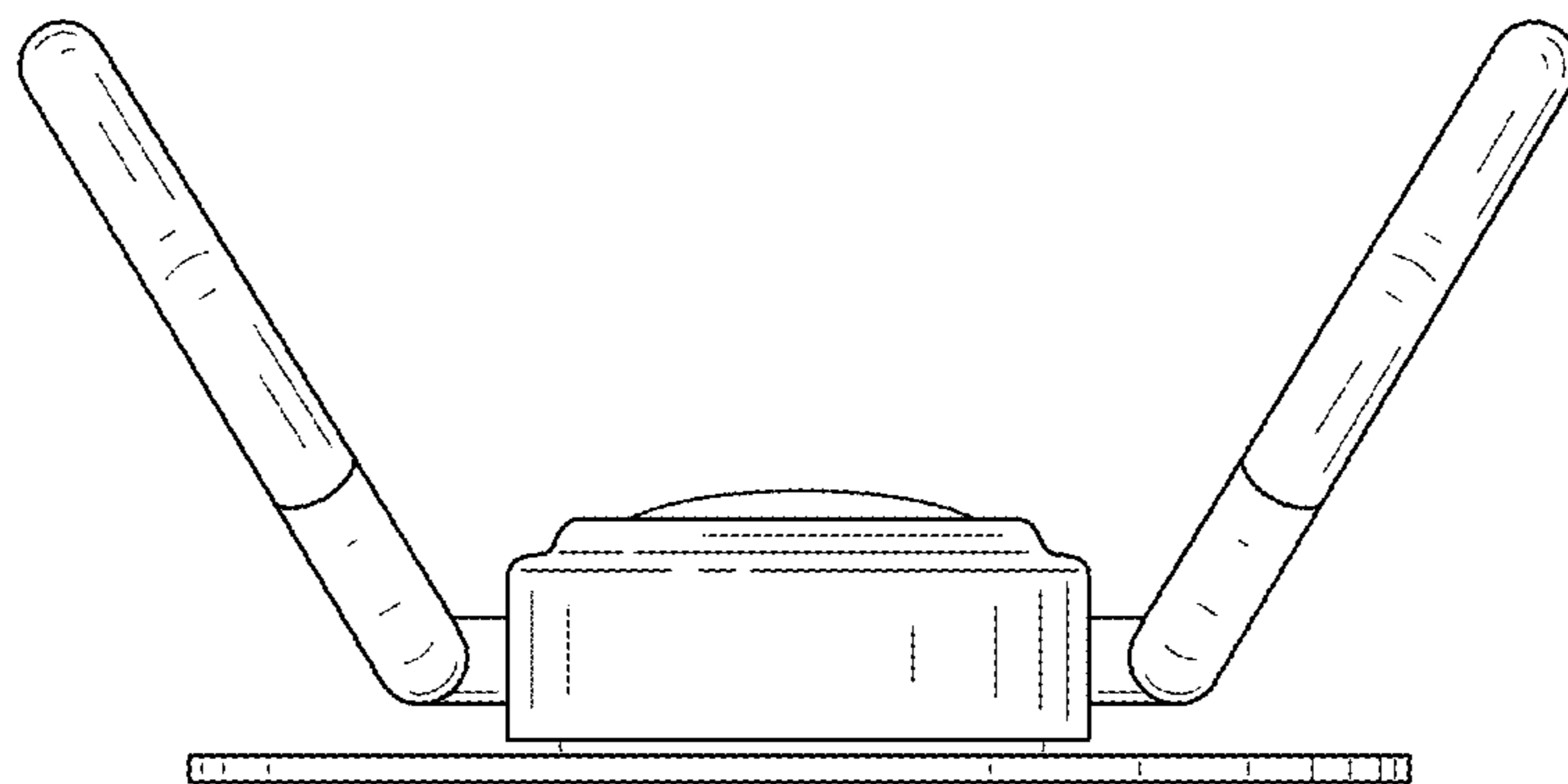


FIG. 5



**FIG. 6**



**FIG. 7**