



US00D737123S

(12) **United States Design Patent**
Prian et al.

(10) **Patent No.:** **US D737,123 S**

(45) **Date of Patent:** **** Aug. 25, 2015**

(54) **HOSE STORAGE POST**

(71) Applicants: **Mark A. Prian**, Schenectady, NY (US);
Jonathan M. Prian, Schenectady, NY
(US)

(72) Inventors: **Mark A. Prian**, Schenectady, NY (US);
Jonathan M. Prian, Schenectady, NY
(US)

(73) Assignee: **Mark A. Prian**, Schenectady, NY (US)

(**) Term: **14 Years**

(21) Appl. No.: **29/469,141**

(22) Filed: **Oct. 8, 2013**

(51) **LOC (10) Cl.** **08-05**

(52) **U.S. Cl.**
USPC **D8/356; D25/126**

(58) **Field of Classification Search**
USPC D25/126; D23/213, 221, 249, 206, 266,
D23/270; 242/400; 248/80, 85, 87;
137/355.27, 355.16, 359, 363; D8/356
See application file for complete search history.

(56) **References Cited**

U.S. PATENT DOCUMENTS

2,956,762 A * 10/1960 Alston 248/87
3,823,905 A * 7/1974 Ray 248/87
5,806,814 A * 9/1998 White 248/80

D462,603 S * 9/2002 Wright et al. D8/356
D465,584 S * 11/2002 Green D25/126
D551,946 S * 10/2007 Hsu D8/356

* cited by examiner

Primary Examiner — Doris Clark

(74) *Attorney, Agent, or Firm* — LaBatt, LLC

(57) **CLAIM**

The ornamental design for a hose storage post, as shown and described.

DESCRIPTION

FIG. 1 is a top, front, left side perspective view of an embodiment of a hose storage post according to the present design. FIG. 2 is a top plan view of the hose storage post shown in FIG. 1.

FIG. 3 is a front elevation view of the hose storage post shown in FIG. 1.

FIG. 4 is a left side elevation view of the hose storage post shown in FIG. 1.

FIG. 5 is a right side elevation view of the hose storage post shown in FIG. 1.

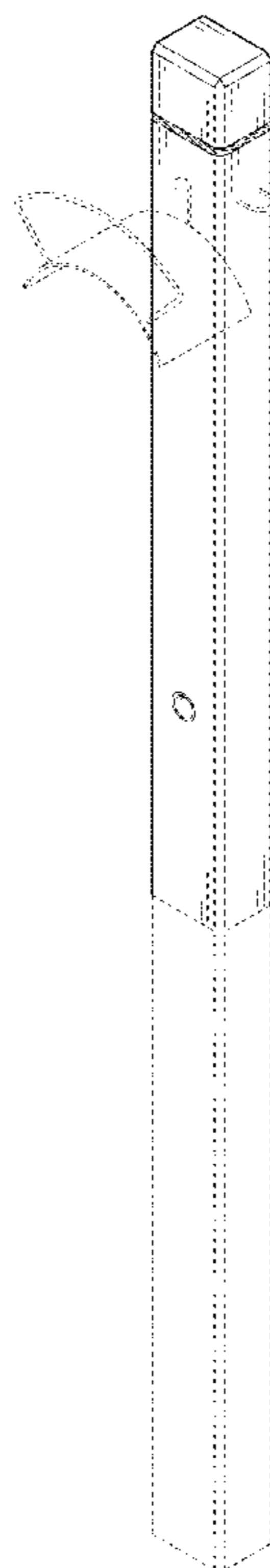
FIG. 6 is a rear elevation view of the hose storage post shown in FIG. 1.

FIG. 7 is an enlarged perspective view of a top portion of the hose storage post shown in FIG. 1; and,

FIG. 8 is an enlarged perspective view of a central portion of the hose storage post shown in FIG. 1.

The broken lines illustrate portions of the embodiment of the hose storage post and form no part of the claimed design.

1 Claim, 4 Drawing Sheets



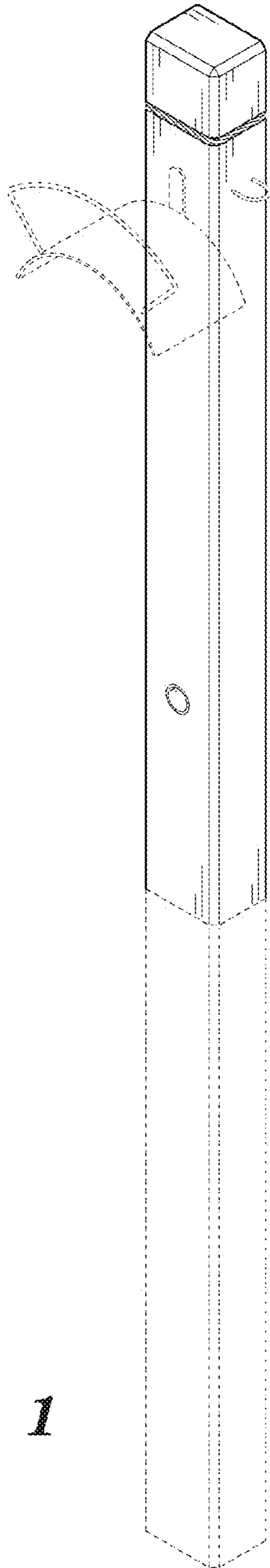


FIG. 1

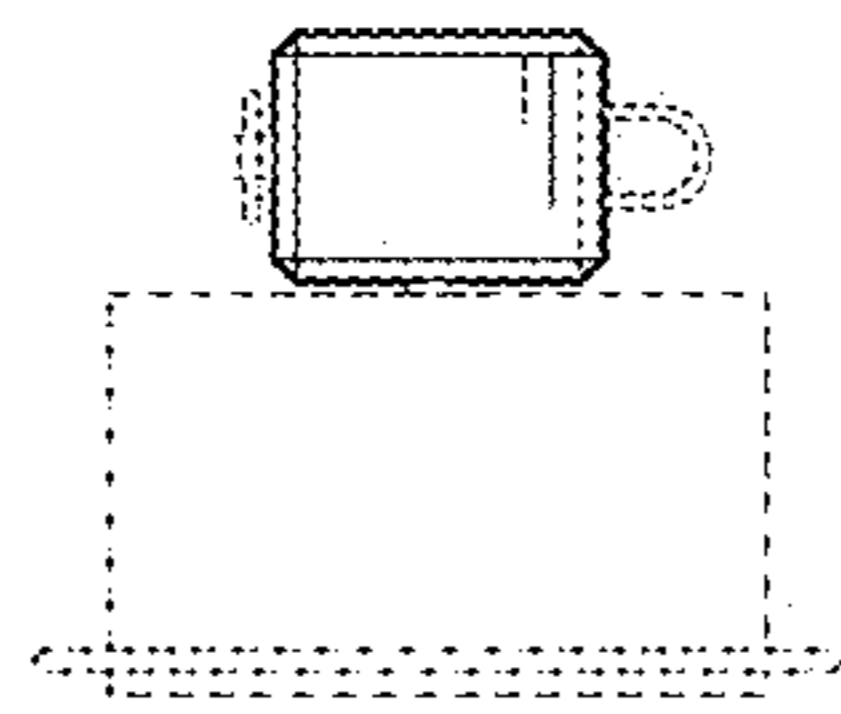


FIG. 2

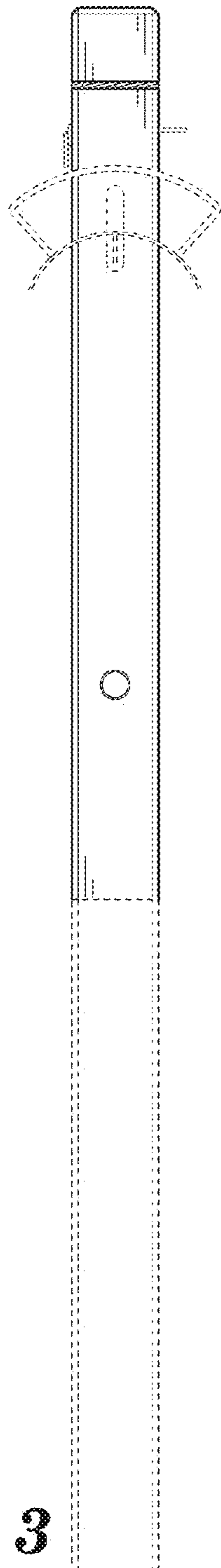


FIG. 3

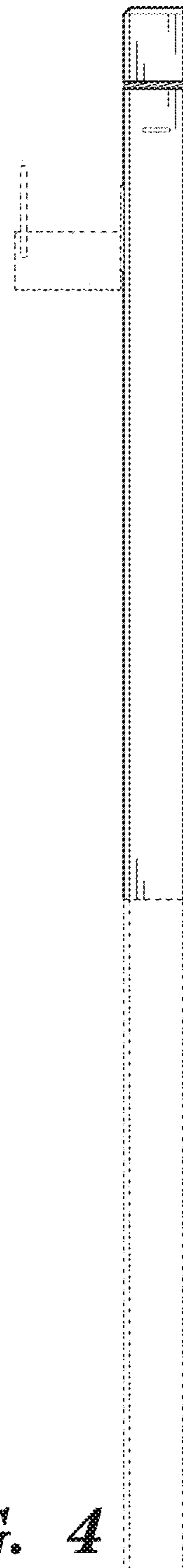


FIG. 4

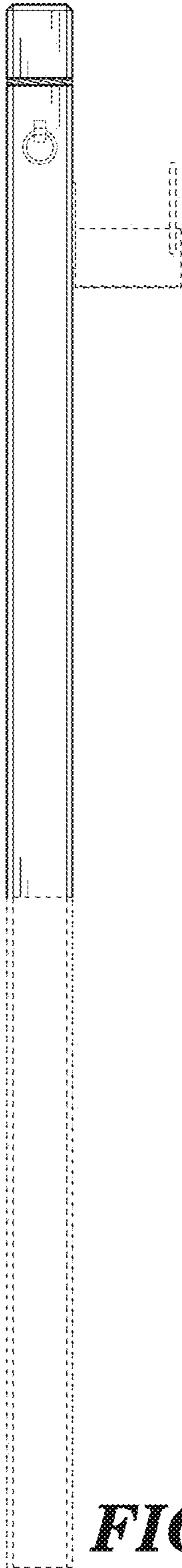


FIG. 5

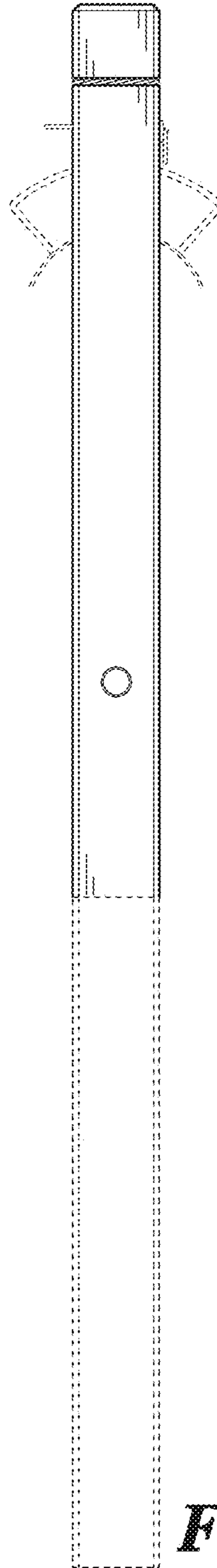


FIG. 6

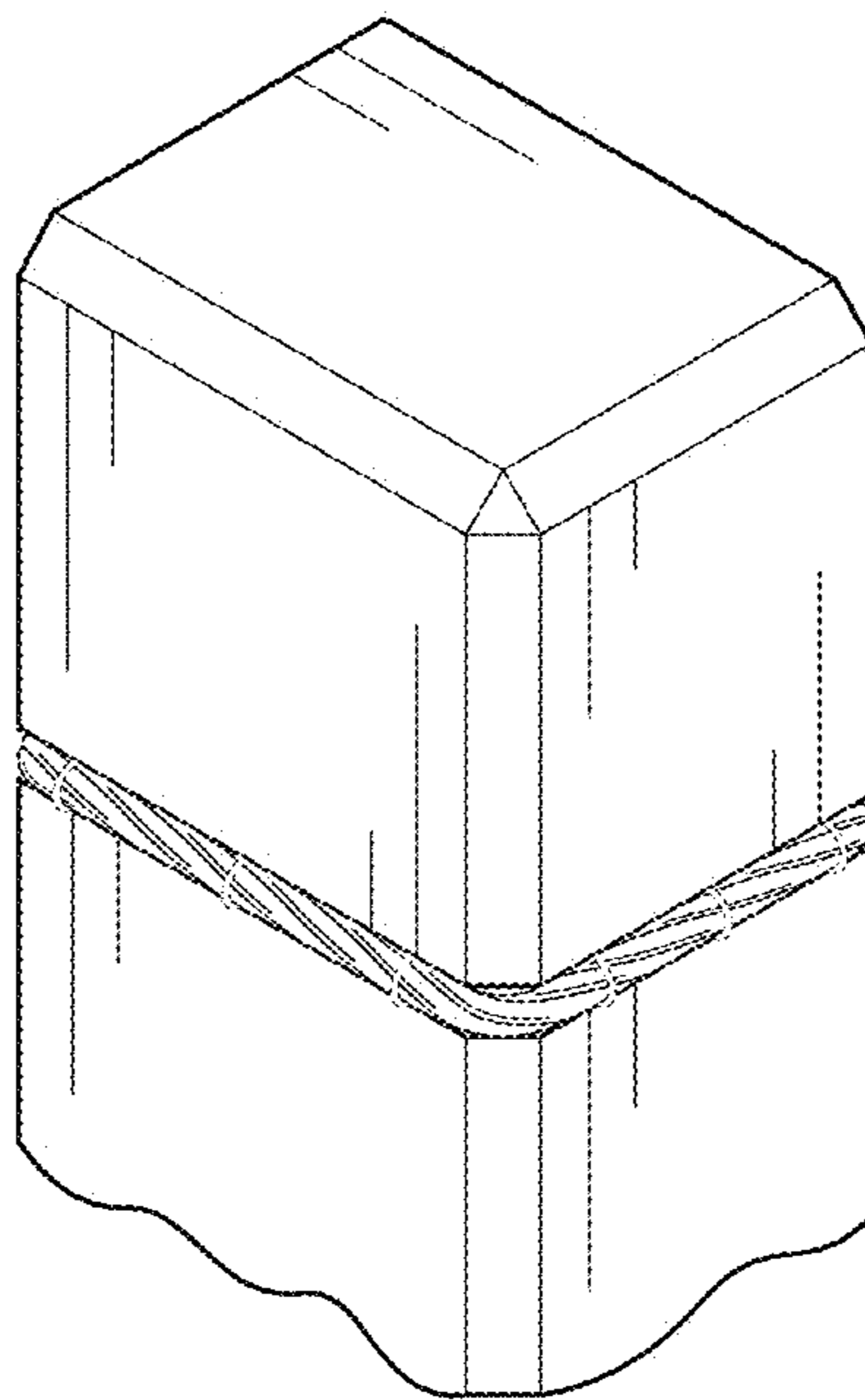


FIG. 7

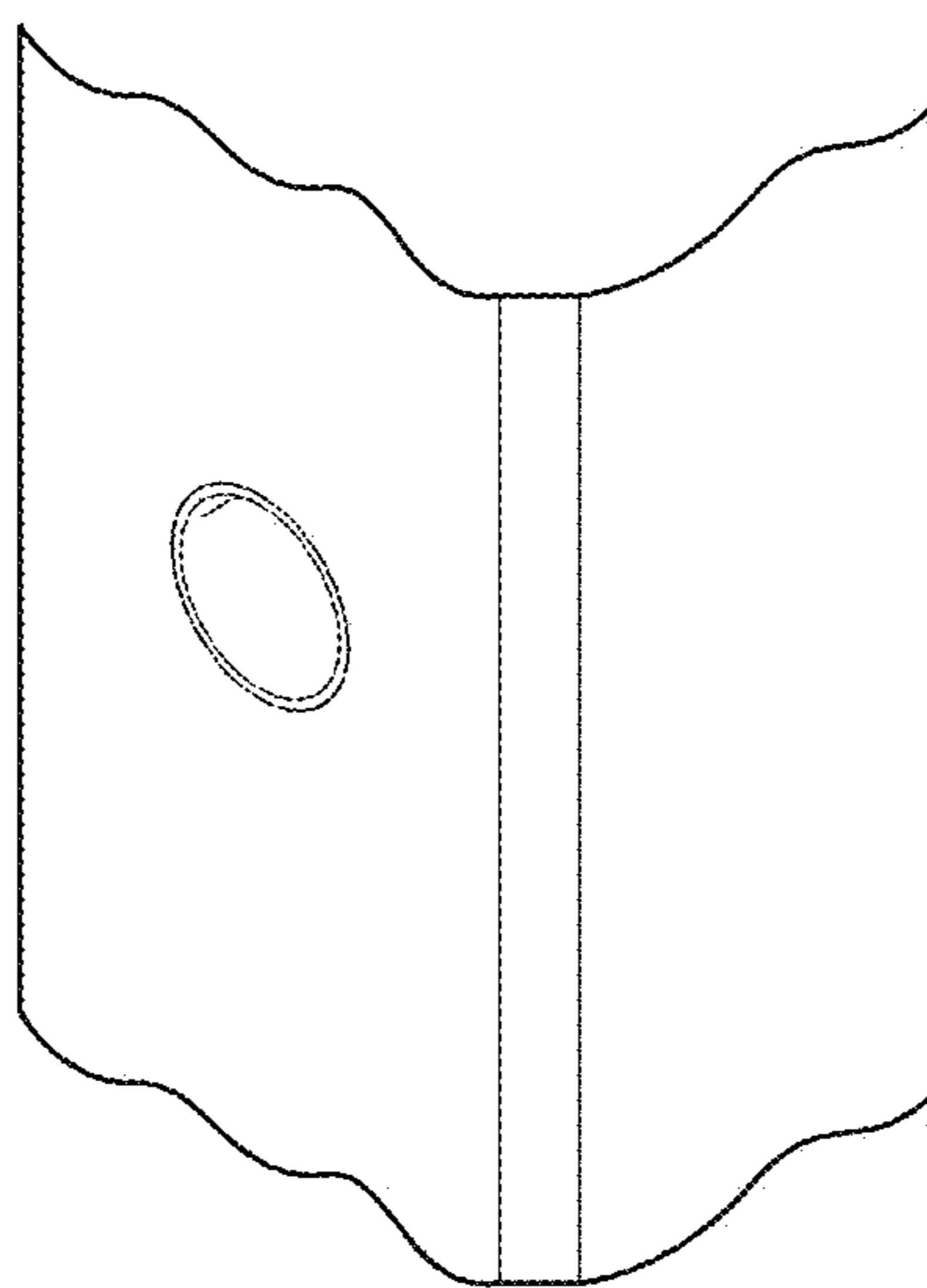


FIG. 8