



US00D737122S

(12) **United States Design Patent**
Robbins, III et al.

(10) **Patent No.:** **US D737,122 S**
(45) **Date of Patent:** **** Aug. 25, 2015**

- (54) **TERMINATOR BRACKET**
- (71) Applicant: **Edward S. Robbins, III**, Muscle Shoals, AL (US)
- (72) Inventors: **Edward S Robbins, III**, Muscle Shoals, AL (US); **Milton F. Bain, Jr.**, Muscle Shoals, AL (US); **Don Byron Walker, II**, Muscle Shoals, AL (US); **Bryan F. Magee**, Killen, AL (US)
- (73) Assignee: **Edward S Robbins, III**, Muscle Shoals, AL (US)
- (**) Term: **14 Years**
- (21) Appl. No.: **29/486,256**
- (22) Filed: **Mar. 27, 2014**
- (51) **LOC (10) Cl.** **08-05**
- (52) **U.S. Cl.**
USPC **D8/354; D8/356**
- (58) **Field of Classification Search**
USPC **D8/356, 354, 349, 381; 248/301-304, 248/339, 200; D6/323**
See application file for complete search history.

- D495,223 S * 8/2004 Altman D8/19
- D535,985 S * 1/2007 Sergi D14/238
- D571,640 S * 6/2008 Misch D8/354
- D573,008 S * 7/2008 Sipe D8/356
- D598,273 S * 8/2009 Nerskov D8/354
- D598,274 S * 8/2009 Nerskov D8/354
- D619,878 S * 7/2010 Sjoqvist D8/354
- D649,863 S * 12/2011 Meyer D8/354
- D672,287 S * 12/2012 Noble et al. D12/159
- D723,998 S * 3/2015 Hansen et al. D12/223

* cited by examiner

Primary Examiner — Cynthia Underwood
(74) *Attorney, Agent, or Firm* — Brinks Gilson & Lione

(57) **CLAIM**

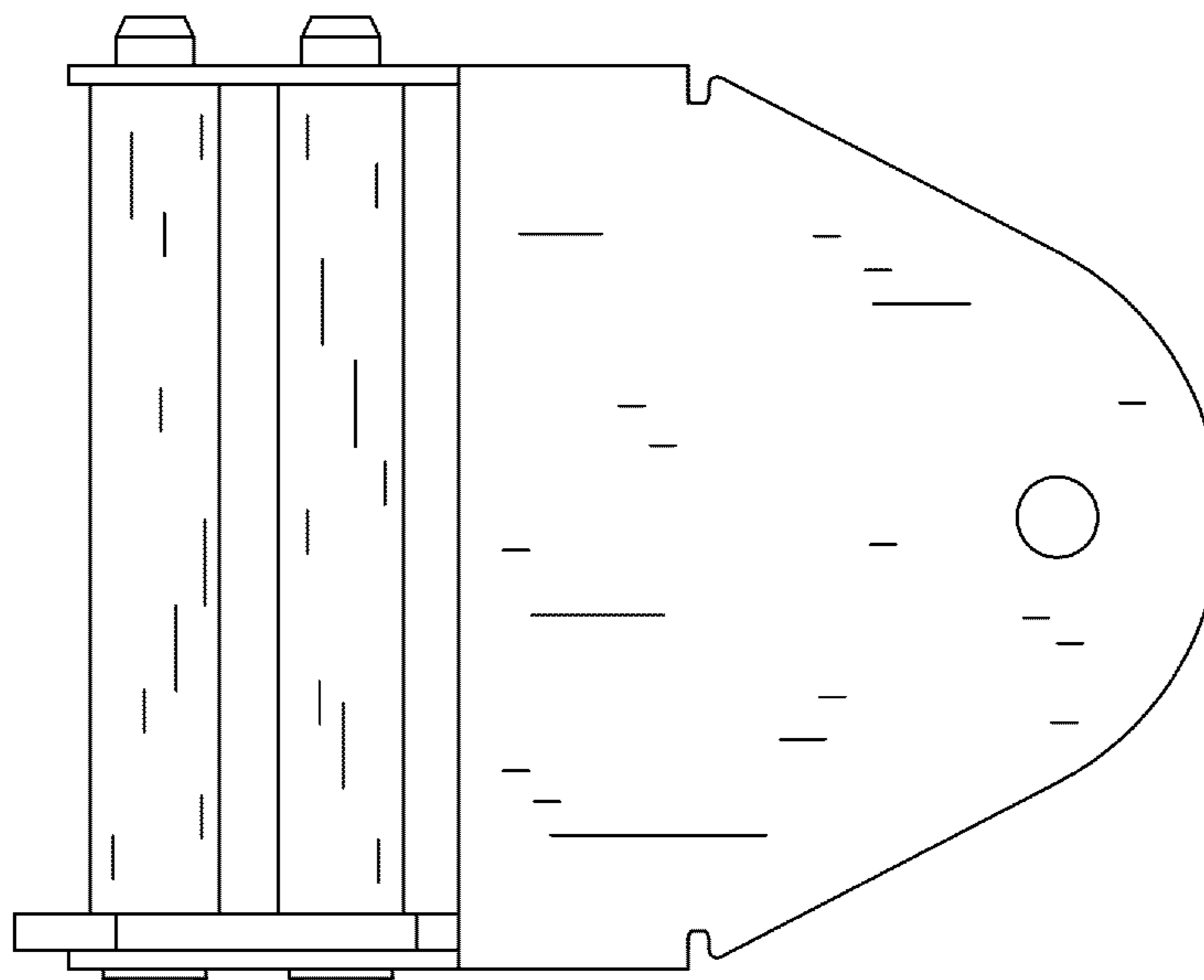
We claim the ornamental design for a terminator bracket, as shown and described.

DESCRIPTION

FIG. 1 is a side elevation view of a terminator bracket of the present design.
 FIG. 2 is an end elevation view of the terminator bracket as viewed from the left side of FIG. 1.
 FIG. 3 is a top plan view of the terminator bracket shown in FIG. 1.
 FIG. 4 is an end elevation view of the terminator bracket as viewed from the right side of FIG. 1.
 FIG. 5 is a side elevation view of the terminator bracket taken from the side opposite that of FIG. 1; and,
 FIG. 6 is a bottom plan view of the of the terminator bracket.

1 Claim, 6 Drawing Sheets

- (56) **References Cited**
U.S. PATENT DOCUMENTS
- 2,931,685 A 4/1960 Butler
- 5,088,421 A 2/1992 Beckstead
- 5,174,223 A 12/1992 Nagy et al.
- D422,886 S * 4/2000 Shea D8/354



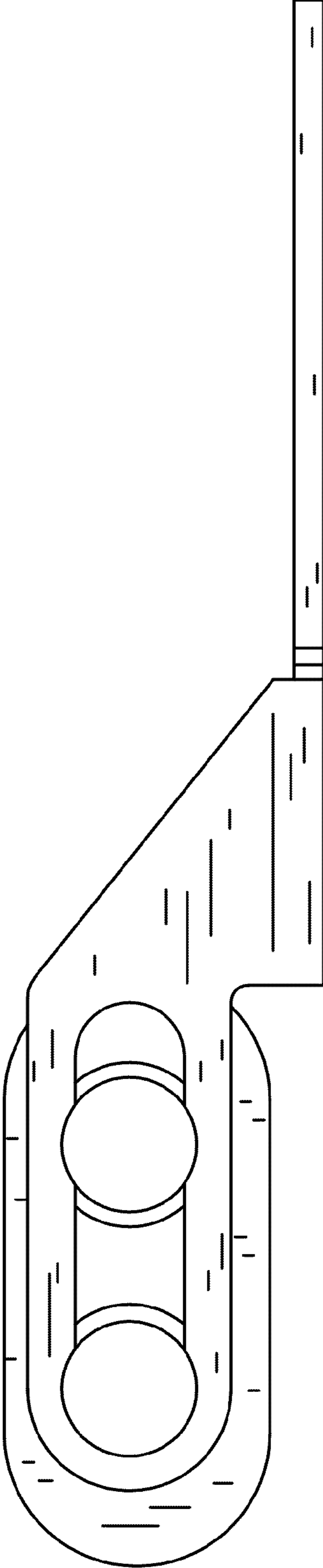


FIG. 1

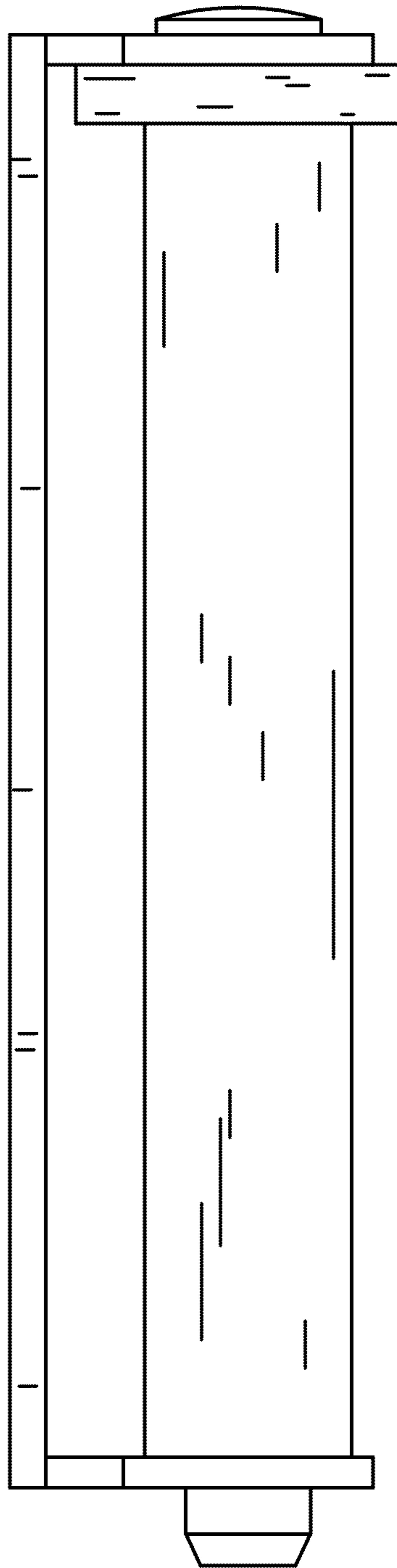


FIG. 2

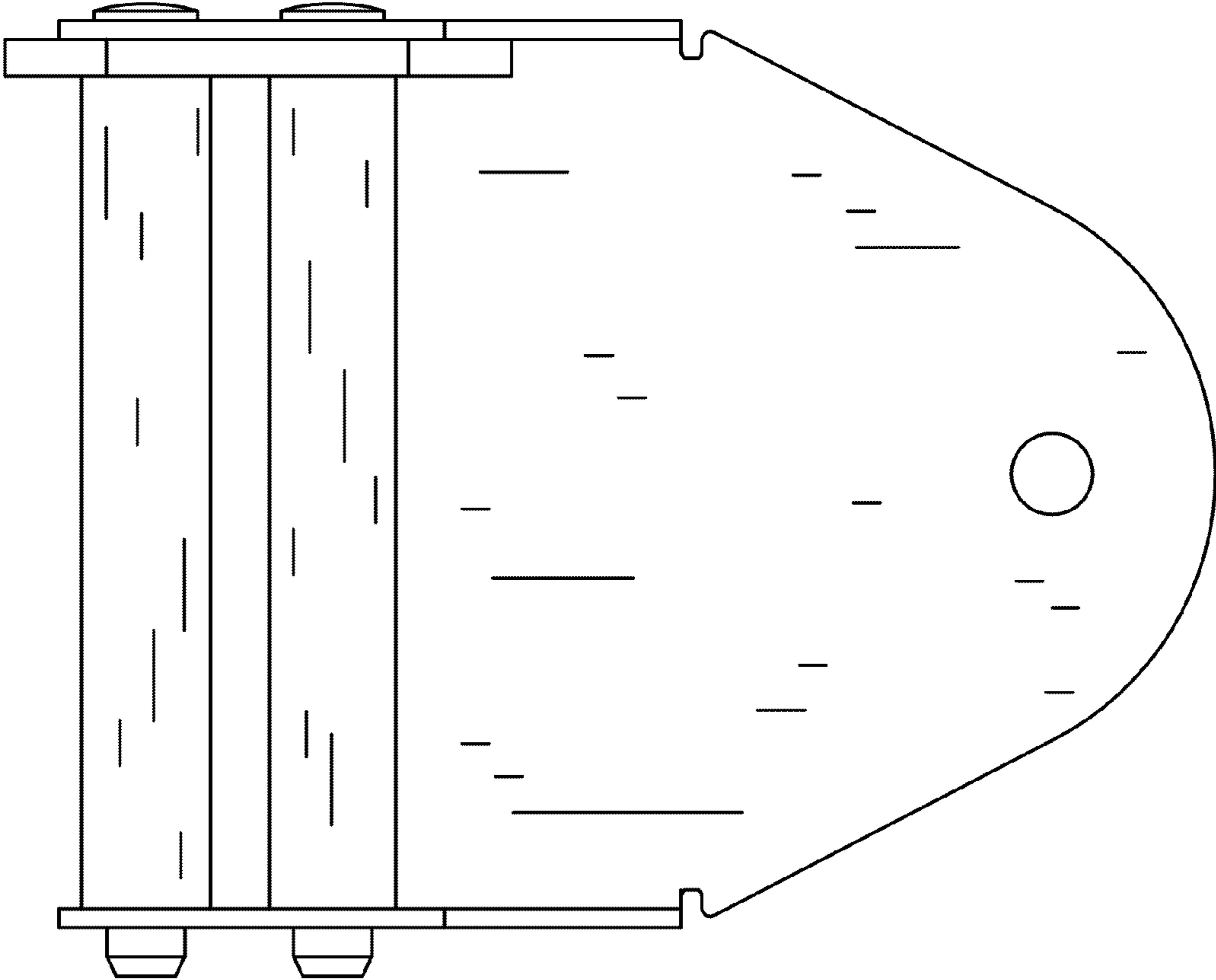


FIG. 3

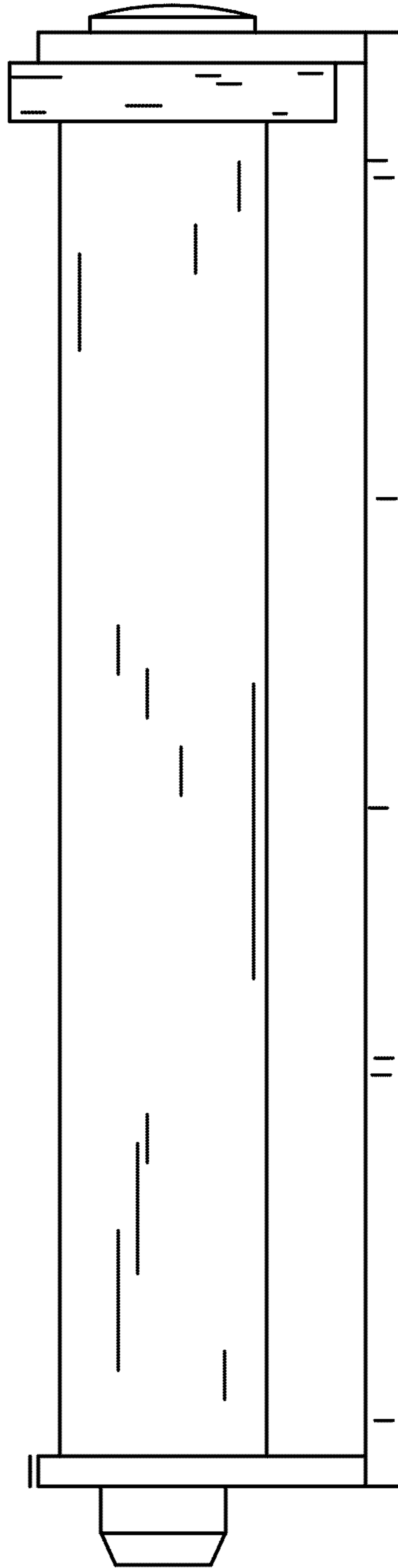


FIG. 4

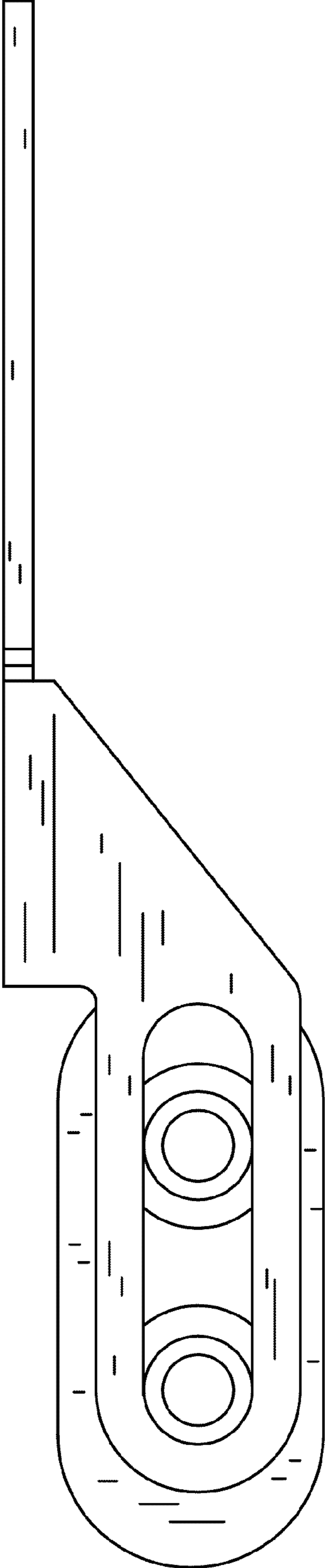


FIG. 5

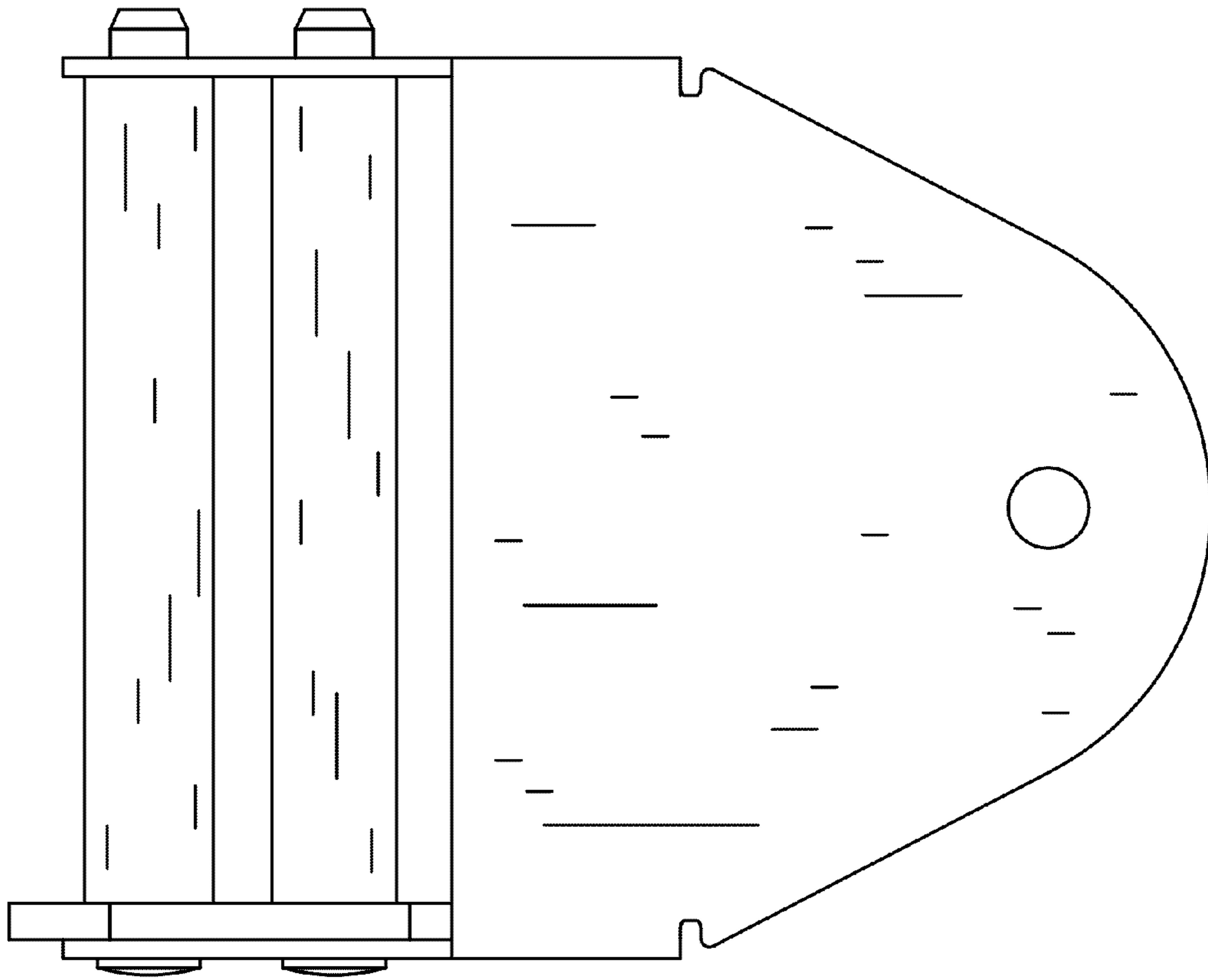


FIG. 6