

US00D737121S

(12) **United States Design Patent**
Long

(10) **Patent No.:** **US D737,121 S**

(45) **Date of Patent:** **** Aug. 25, 2015**

(54) **BARRIER RETENTION DEVICE**

Primary Examiner — Holly Baynham

(71) Applicant: **Jerred Emmett Long**, Fayetteville, AR
(US)

(74) *Attorney, Agent, or Firm* — Stephen D. Schrantz;
Schrantz Law Firm, PLLC

(72) Inventor: **Jerred Emmett Long**, Fayetteville, AR
(US)

(57) **CLAIM**

(**) Term: **14 Years**

The ornamental design for a barrier retention device, as shown and described.

(21) Appl. No.: **29/447,832**

(22) Filed: **Mar. 7, 2013**

DESCRIPTION

(51) **LOC (10) Cl.** **08-05**

(52) **U.S. Cl.**

USPC **D8/354**

(58) **Field of Classification Search**

CPC A47F 5/00; A47H 1/10; E04G 5/06;
A47G 29/00; A47G 29/08; A47B 97/00;
H02G 3/123; B60R 2011/0005; B60K
2350/941; B60K 37/04

See application file for complete search history.

FIG. 1 is a top perspective view showing my new design;
FIG. 2 is a top view thereof;
FIG. 3 is a left side view thereof;
FIG. 4 is a front view thereof;
FIG. 5 is a right side view thereof;
FIG. 6 is a bottom view thereof;
FIG. 7 is a rear view thereof;
FIG. 8 is an environmental, sectional view taken along line
8-8 of FIG. 2; and,
FIG. 9 is another environmental, sectional view taken along
line **8-8** of FIG. 2 showing the lever in a lowered position.
The broken lines showing a portion of earth and a portion of
another element are for the purposes of illustrating environ-
ment and form no part of the claimed design.

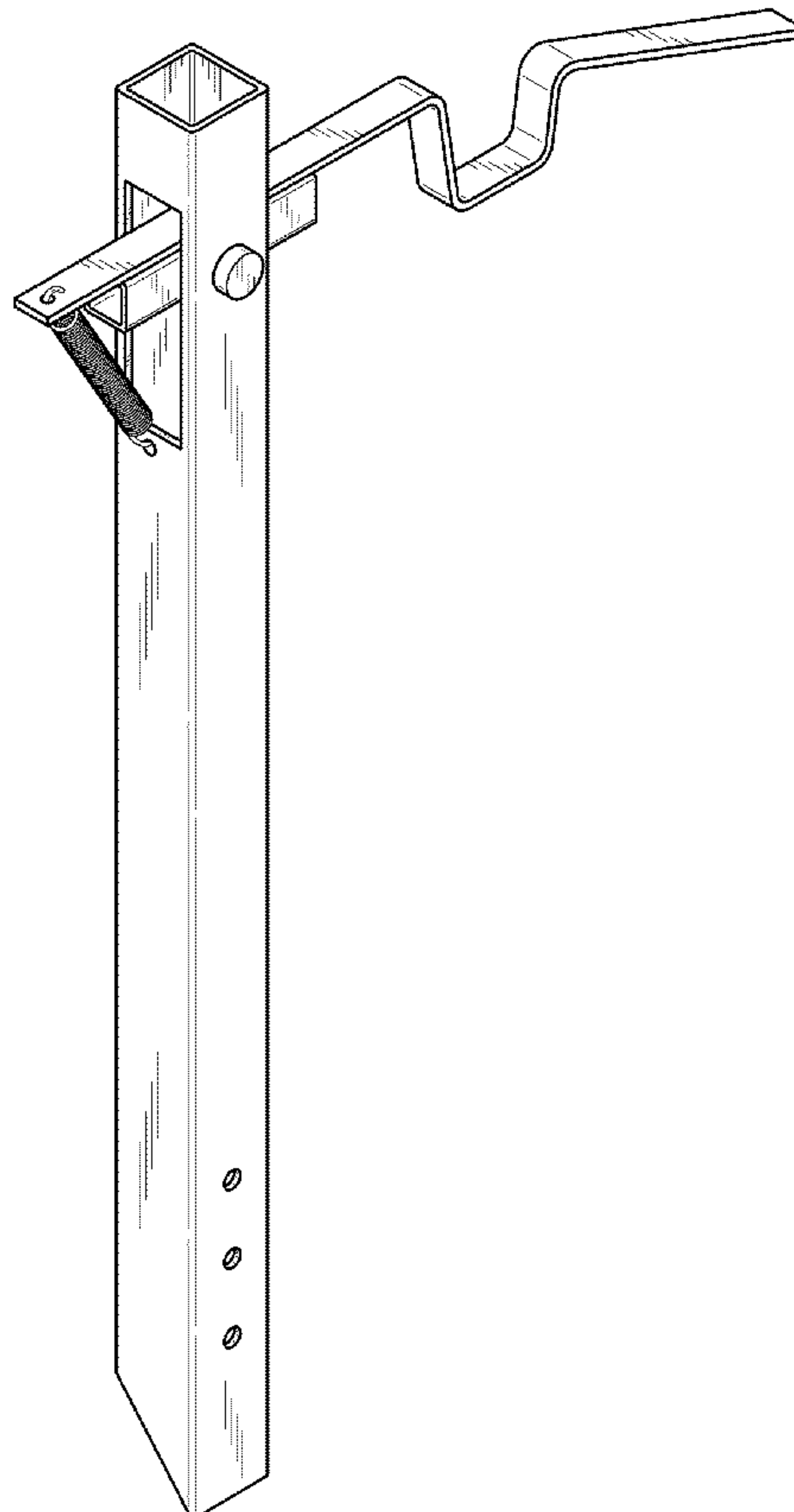
(56) **References Cited**

U.S. PATENT DOCUMENTS

D436,835 S * 1/2001 Snyder D8/349
D442,063 S * 5/2001 Snyder D8/349

* cited by examiner

1 Claim, 5 Drawing Sheets



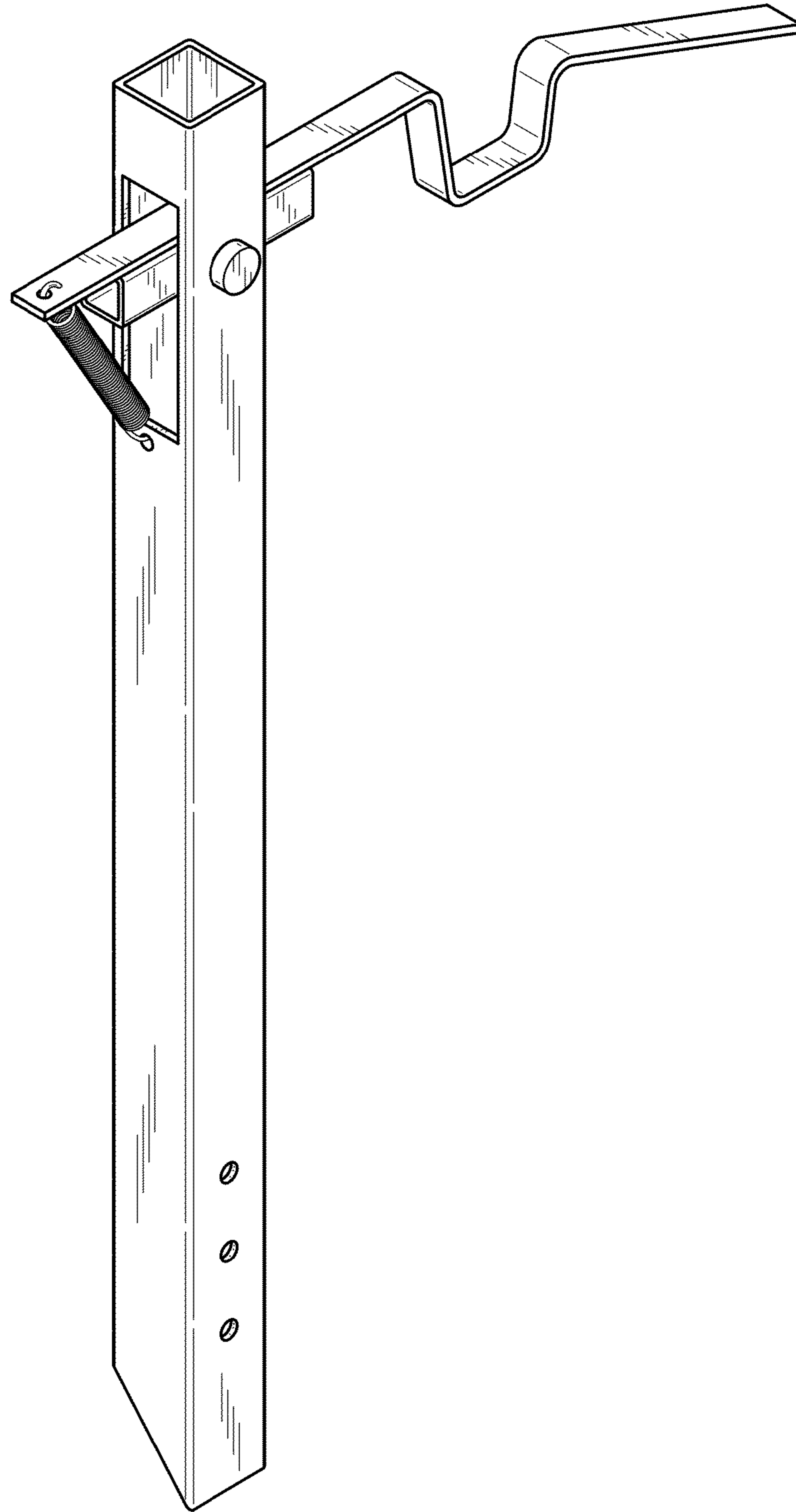


FIG. 1

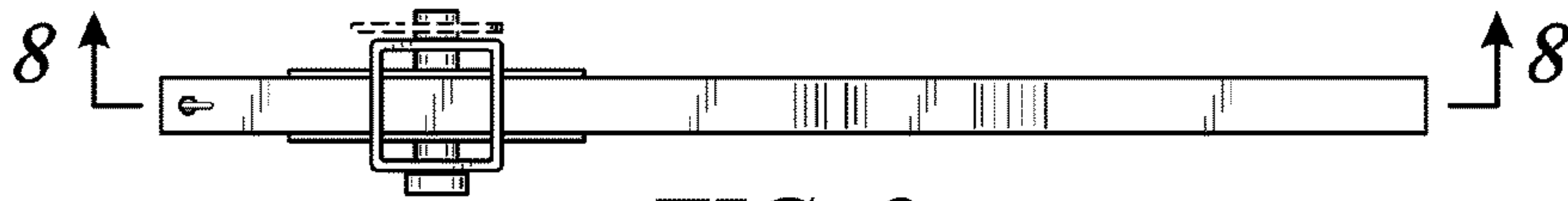


FIG. 2

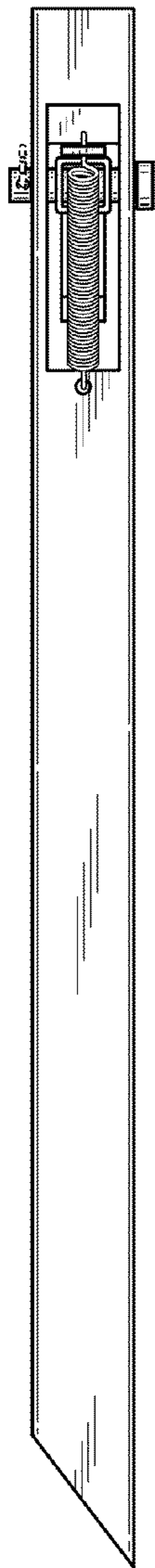


FIG. 3

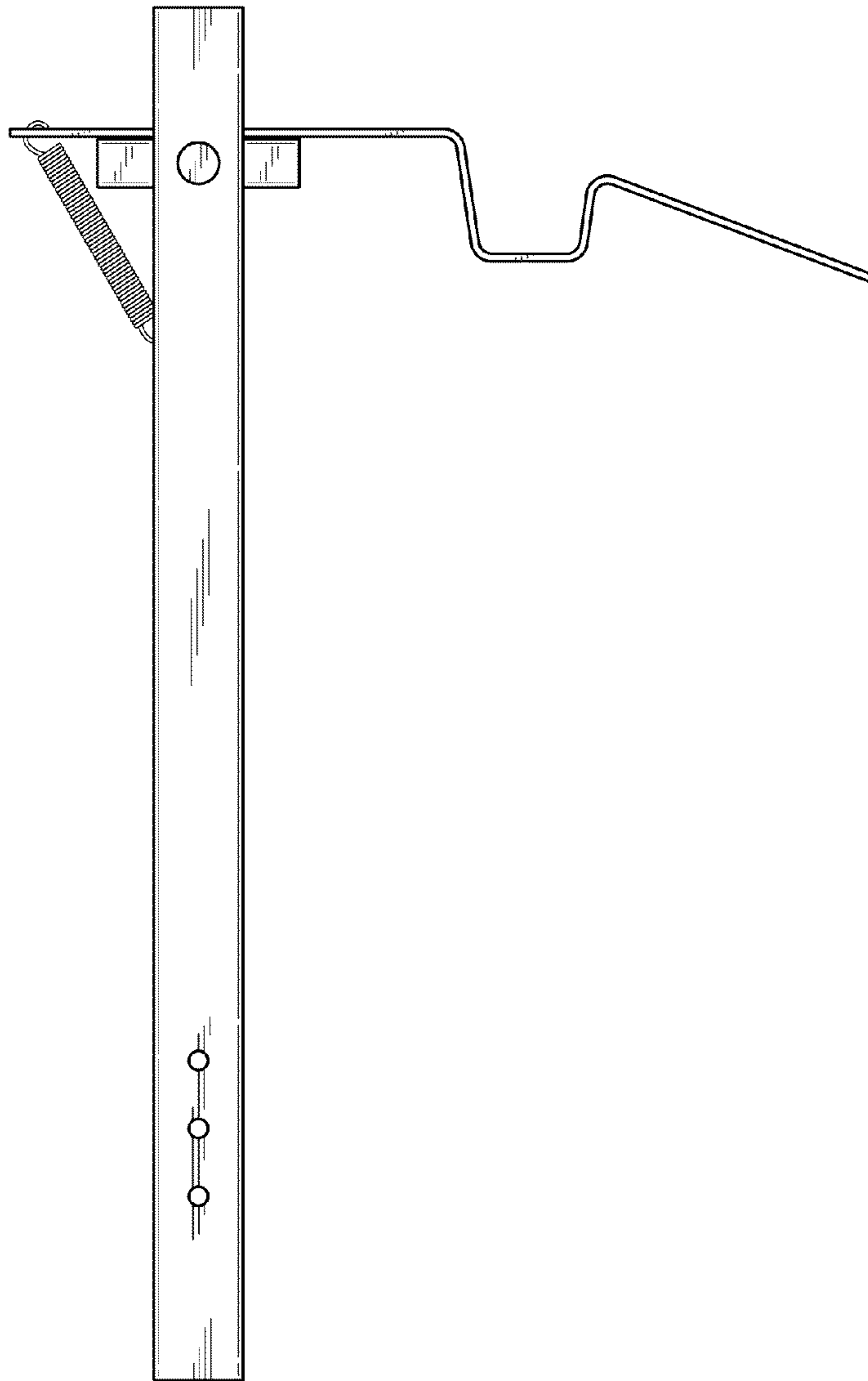


FIG. 4

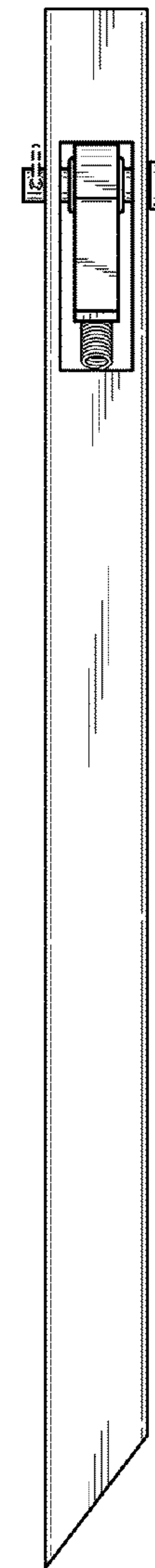


FIG. 5

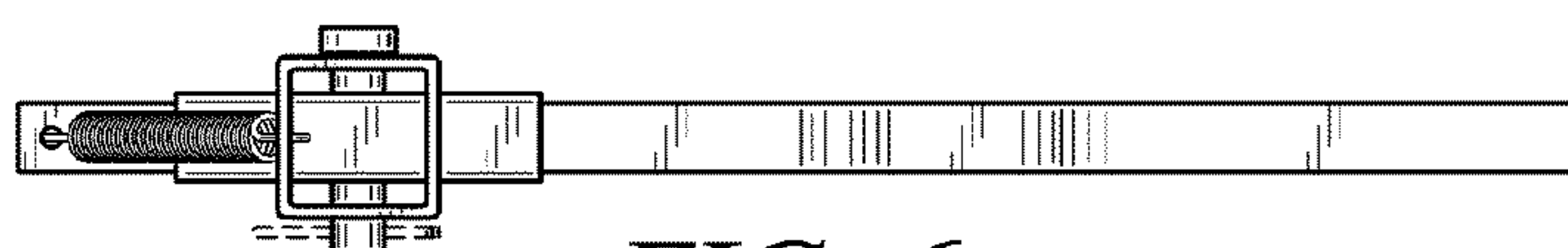


FIG. 6

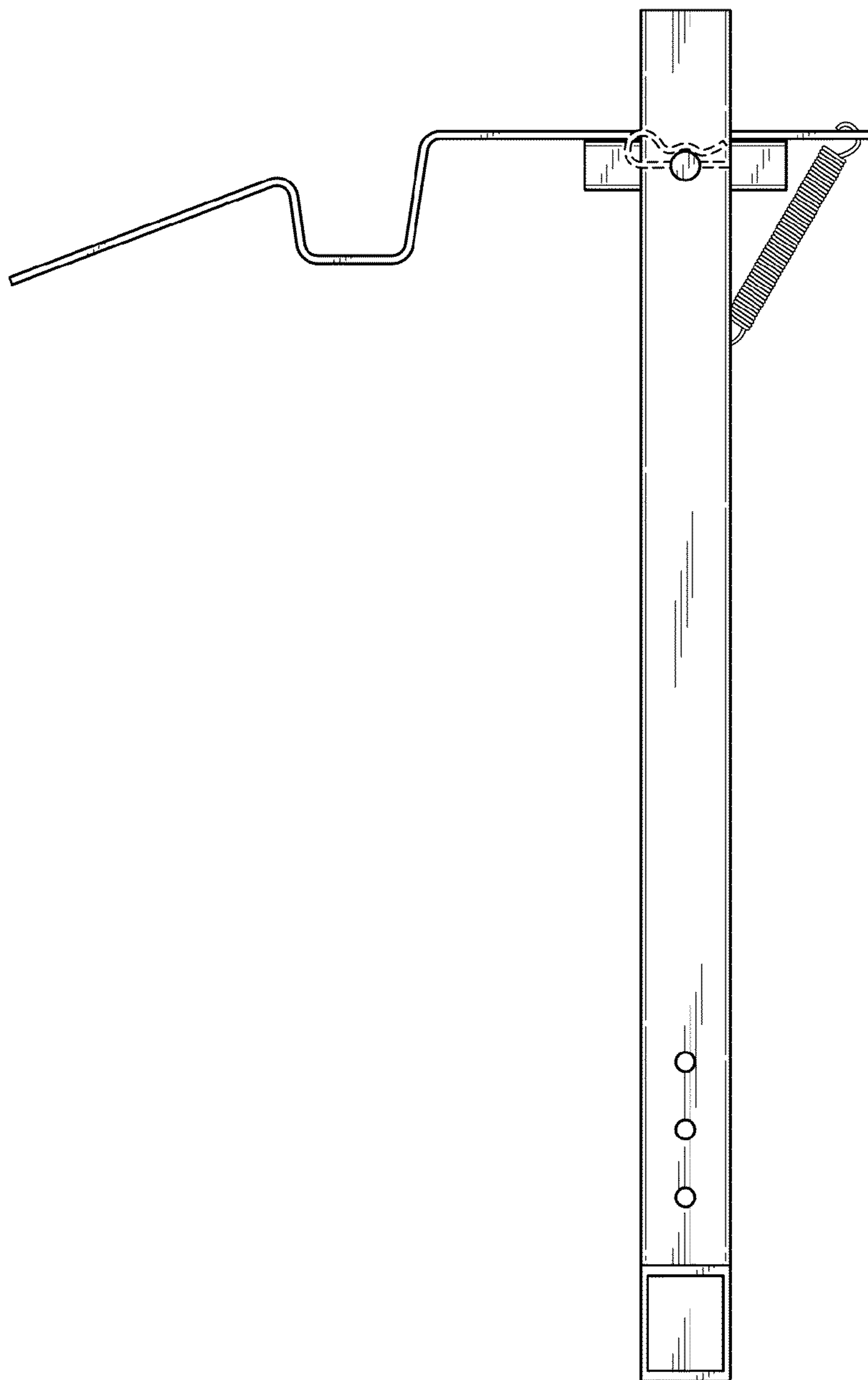


FIG. 7

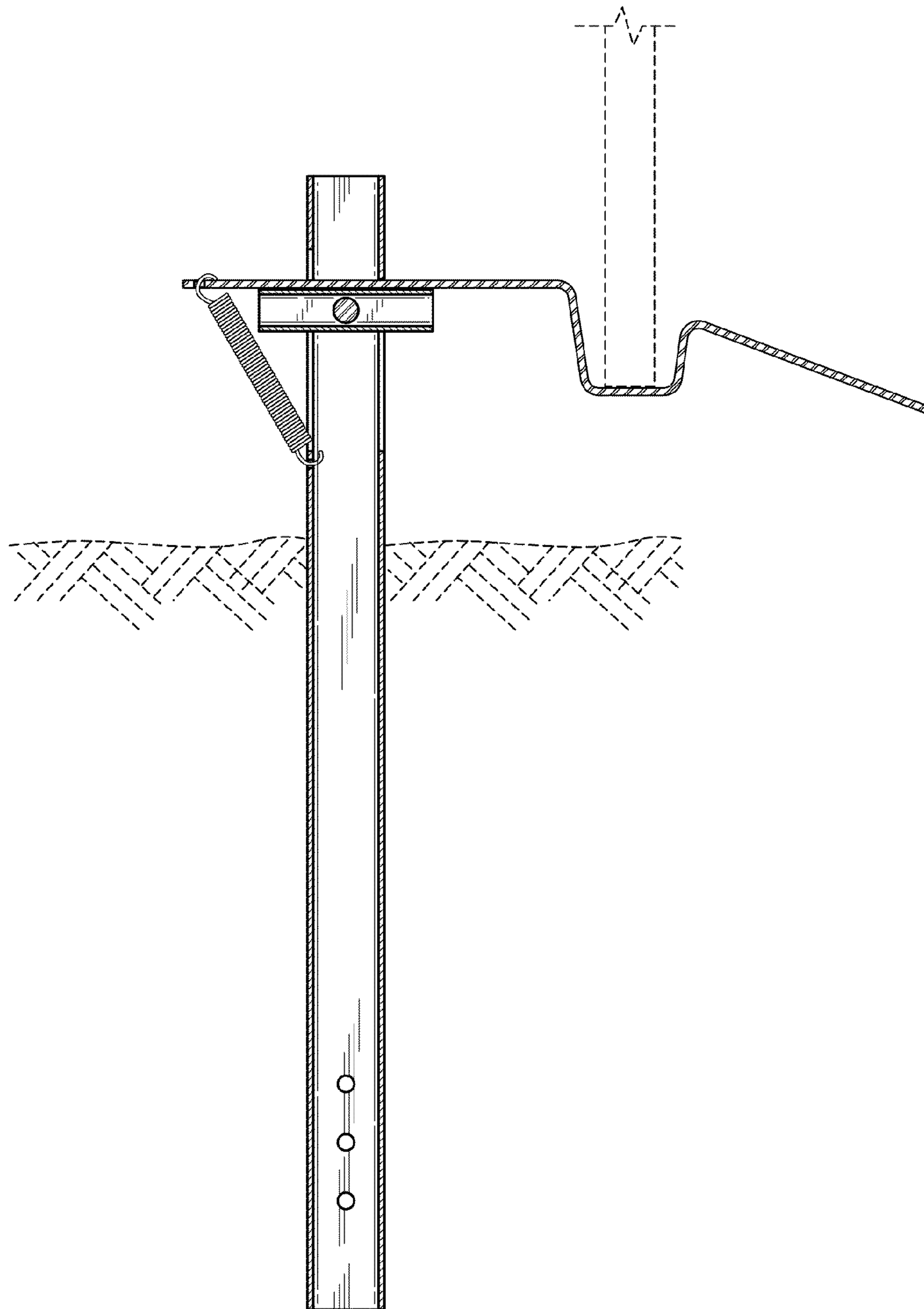


FIG. 8

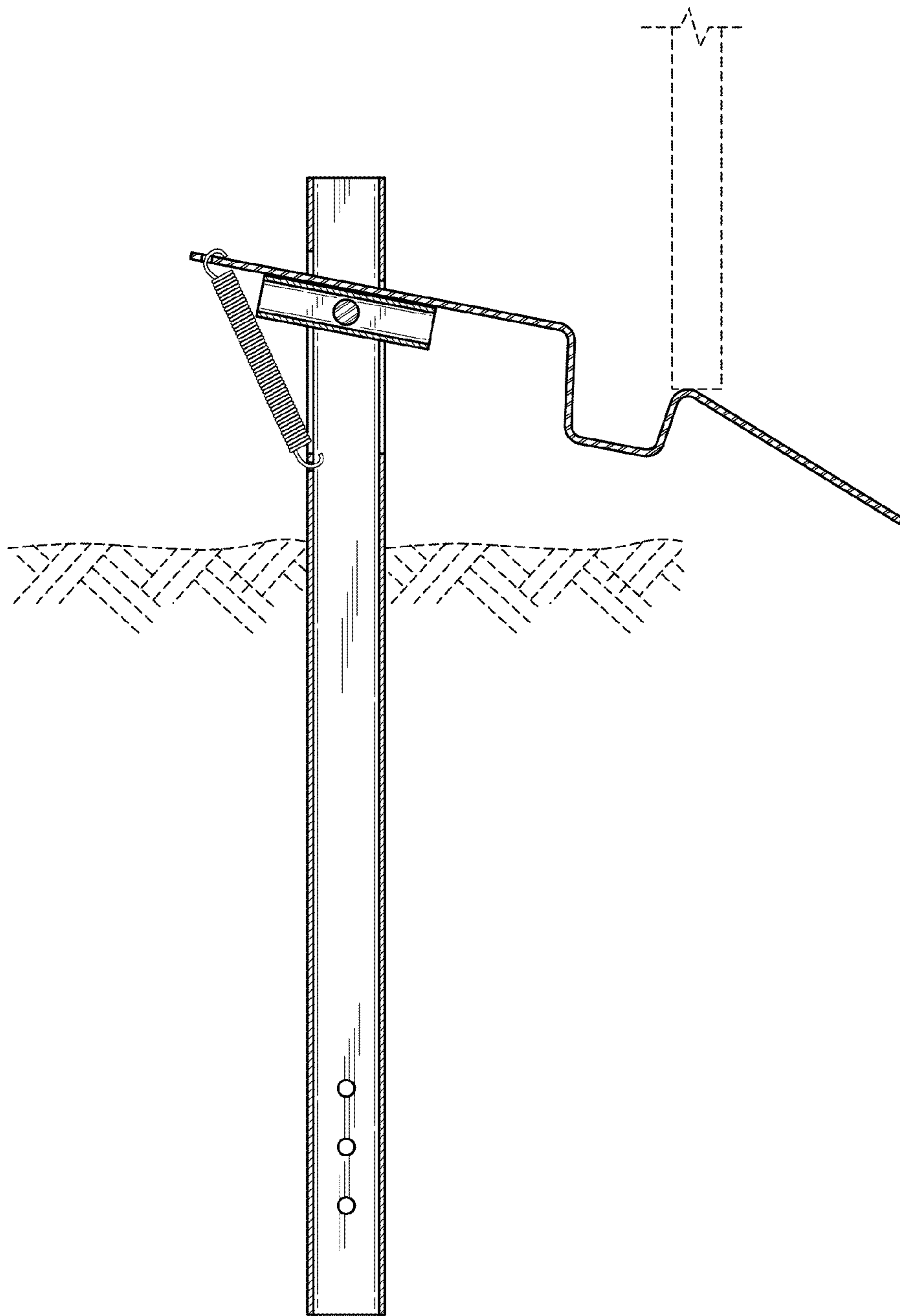


FIG. 9