



US00D737119S

(12) **United States Design Patent**
Condon et al.

(10) **Patent No.:** **US D737,119 S**
(45) **Date of Patent:** **** Aug. 25, 2015**

(54) **ESCUTCHEON FOR PUSH-PULL VALVE ASSEMBLY**

(75) Inventors: **Duane R. Condon**, Ramona, CA (US);
Bill A. Ghiglieri, Reno, NV (US);
Marshall W. Henningsen, Carson City, NV (US)

(73) Assignee: **LSP Products Group, Inc.**, Carson City, NV (US)

(**) Term: **14 Years**

(21) Appl. No.: **29/424,820**

(22) Filed: **Jun. 15, 2012**

(51) **LOC (10) Cl.** **11-05**

(52) **U.S. Cl.**
USPC **D8/352**

(58) **Field of Classification Search**
USPC D8/300, 306, 308, 310, 349, 350, 352,
D8/353, 354, 355, 356, 359; D23/213,
D23/233, 238, 239, 241, 243, 249, 250, 252,
D23/253, 254; D13/156; D26/130
CPC E05B 1/00; E05B 15/00; E05B 15/02;
E05B 21/00; E05B 63/0056; E05B 2015/1657;
E03C 1/04; E03C 1/042; E03C 1/05; F16L
5/02

See application file for complete search history.

(56) **References Cited**

U.S. PATENT DOCUMENTS

D333,508 S * 2/1993 Wallace D23/249
D361,711 S * 8/1995 Plumley D8/356
D406,049 S * 2/1999 Bernat D8/358
D410,631 S * 6/1999 Foster D13/156
5,983,923 A 11/1999 Hobbs et al.
6,125,881 A 10/2000 Hobbs et al.
D437,543 S * 2/2001 Mudryk et al. D8/354
D442,064 S * 5/2001 Chung D8/356
6,234,193 B1 5/2001 Hobbs et al.

D443,811 S * 6/2001 Tisbo D8/356
D469,163 S * 1/2003 Fabian et al. D23/249
D485,743 S * 1/2004 Wilson, Sr. D8/354
D492,579 S * 7/2004 Hodjat D8/360
D512,627 S * 12/2005 Okada D8/343

(Continued)

OTHER PUBLICATIONS

Anutami Product Disclosure, Pull Stop #309, Recessed concealed angle stop, May 2, 2010, (minus handwritten notations).

Primary Examiner — Eric Goodman

Assistant Examiner — Bao-Yen Nguyen

(74) *Attorney, Agent, or Firm* — Ross Barnes LLP; Monty L. Ross; Robin L. Barnes

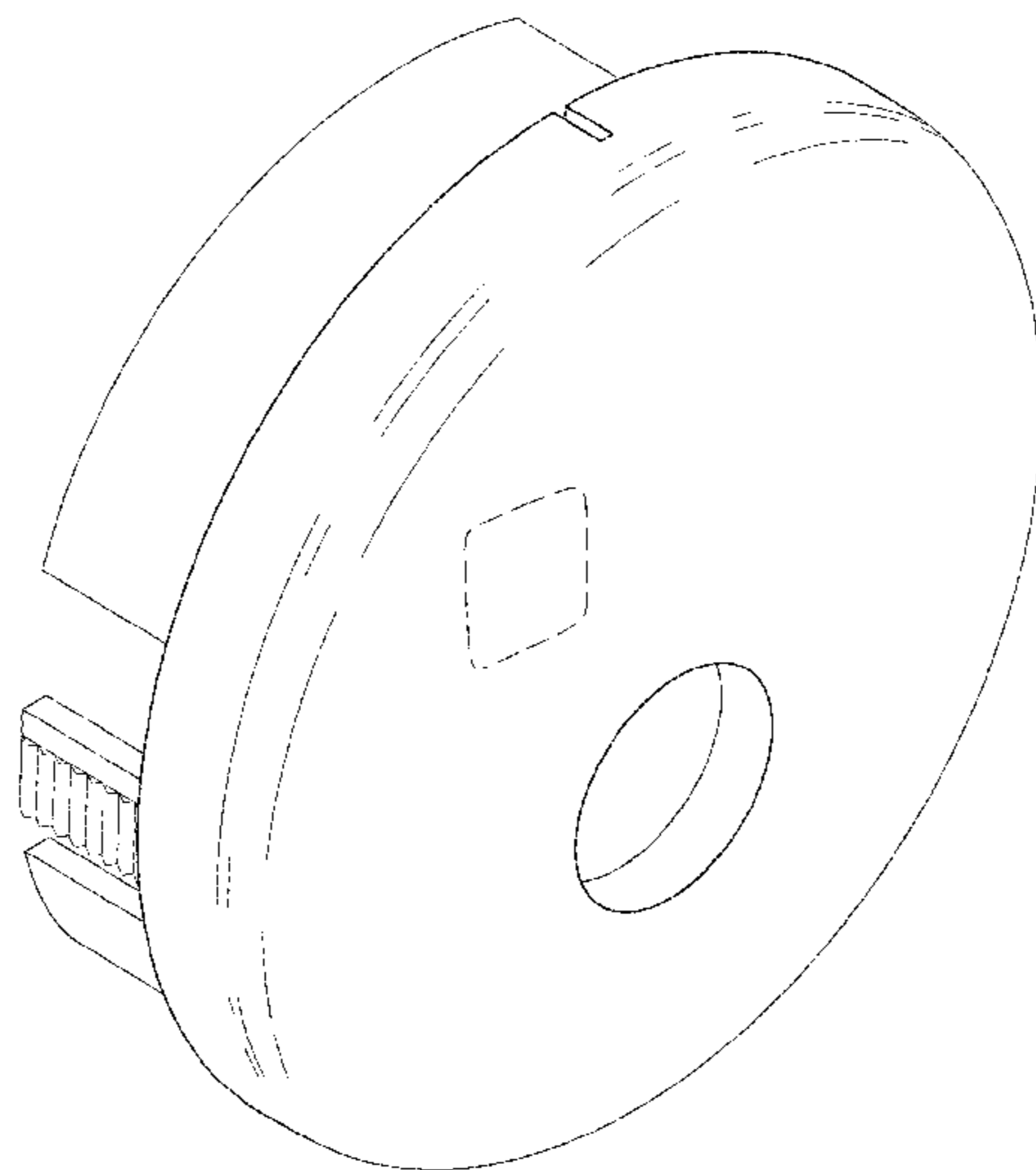
(57) **CLAIM**

The ornamental design for a escutcheon for push-pull valve assembly, as shown and described.

DESCRIPTION

FIG. 1 is a front perspective view;
FIG. 2 is a front elevation view;
FIG. 3 is a rear elevation view;
FIG. 4 is a top plan view;
FIG. 5 is a left side elevation view;
FIG. 6 is a right side elevation view;
FIG. 7 is a bottom plan view;
FIG. 8 is a top plan view of an alternate embodiment for which the front and rear elevation views are the same as shown in FIGS. 2 and 3;
FIG. 9 is a left side elevation view of the alternate embodiment shown in FIG. 8;
FIG. 10 is a right side elevation view of the alternate embodiment shown in FIG. 8; and,
FIG. 11 is a bottom plan view of the alternate embodiment shown in FIG. 8.
The broken lines shown in FIGS. 1-5 and 8-9 illustrate portions of the article and form no part of the claimed design.

1 Claim, 4 Drawing Sheets



(56)

References Cited

U.S. PATENT DOCUMENTS

D559,660 S *	1/2008	DeCosta	D8/356	D607,963 S *	1/2010	Baltes	D22/147
D571,191 S *	6/2008	Ruggiero	D8/356	D625,170 S *	10/2010	McGrath	D8/355
D588,904 S *	3/2009	Chong et al.	D8/356	D648,424 S *	11/2011	Gilbert	D23/254
D607,313 S *	1/2010	Larocque	D8/394	D653,799 S *	2/2012	Baker et al.	D26/138
				D658,482 S *	5/2012	Pratt	D8/349
				D659,802 S *	5/2012	McKeone	D23/252
				D666,228 S *	8/2012	Schneider	D16/130

* cited by examiner

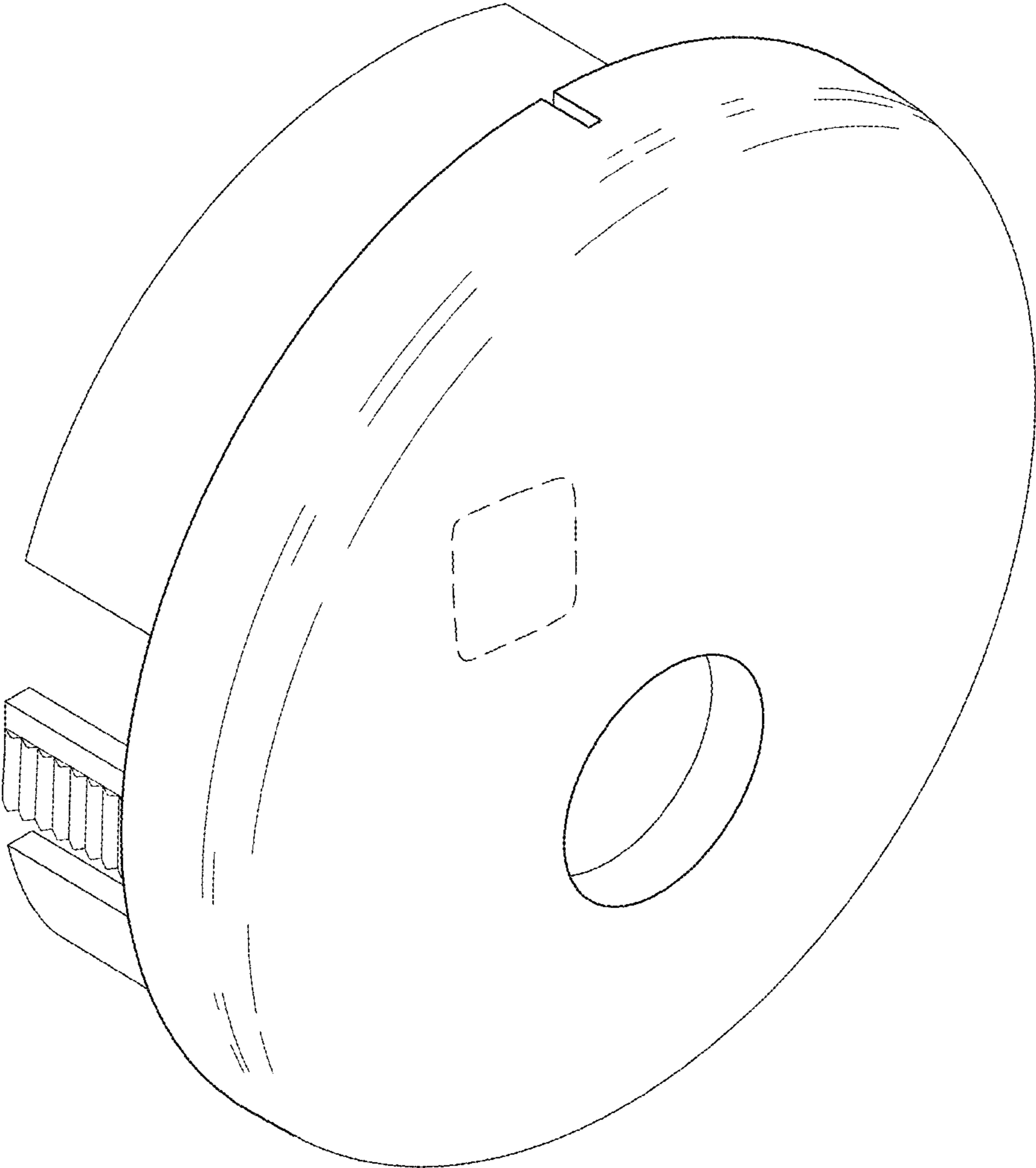


FIG. 1

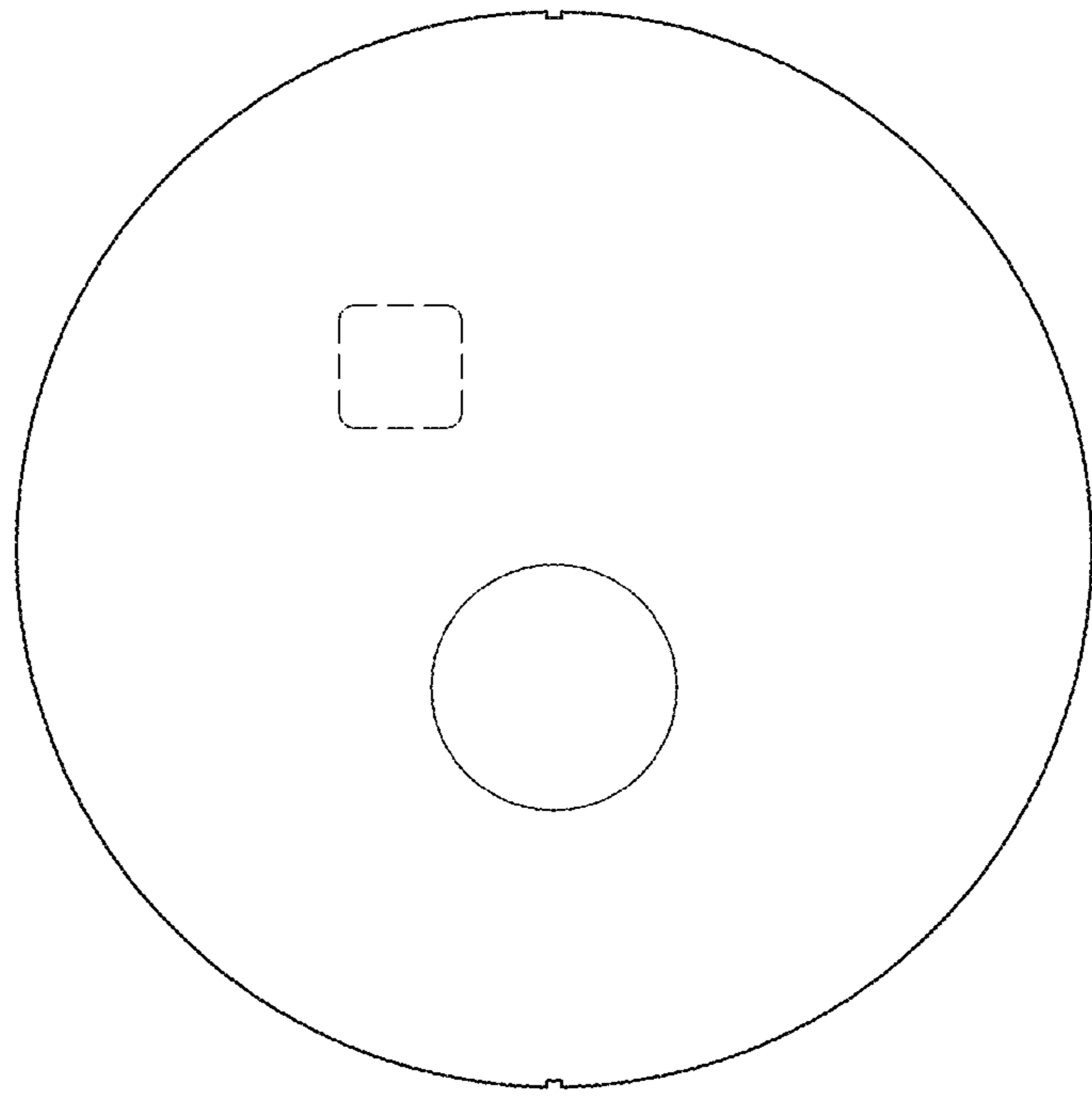


FIG. 2

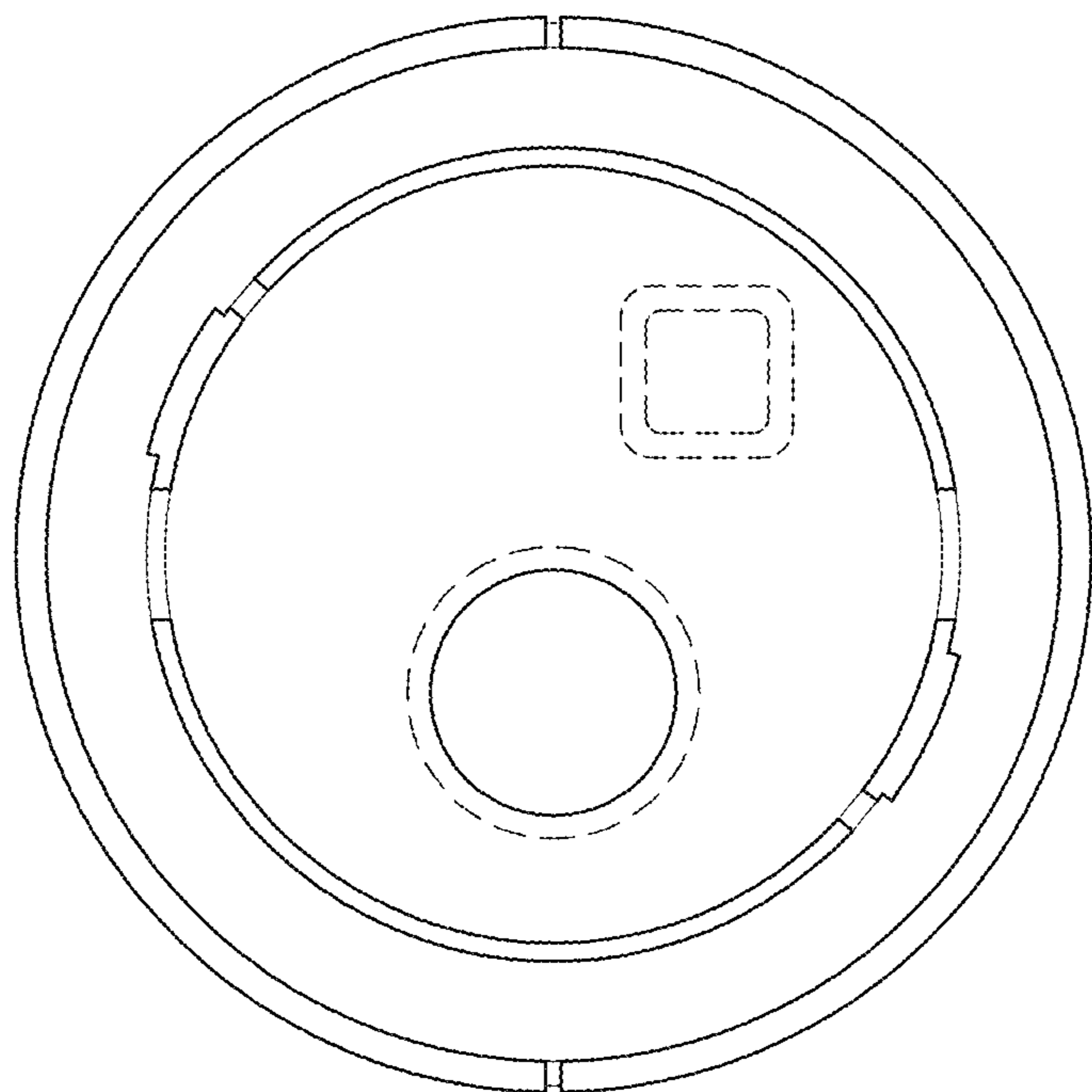


FIG. 3

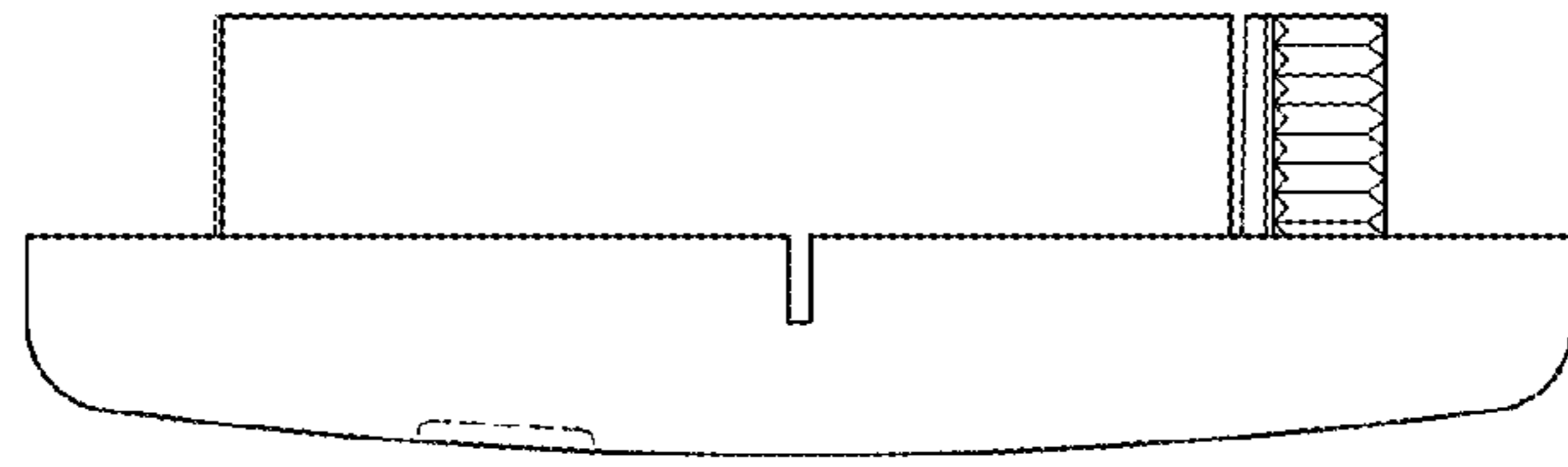


FIG. 4

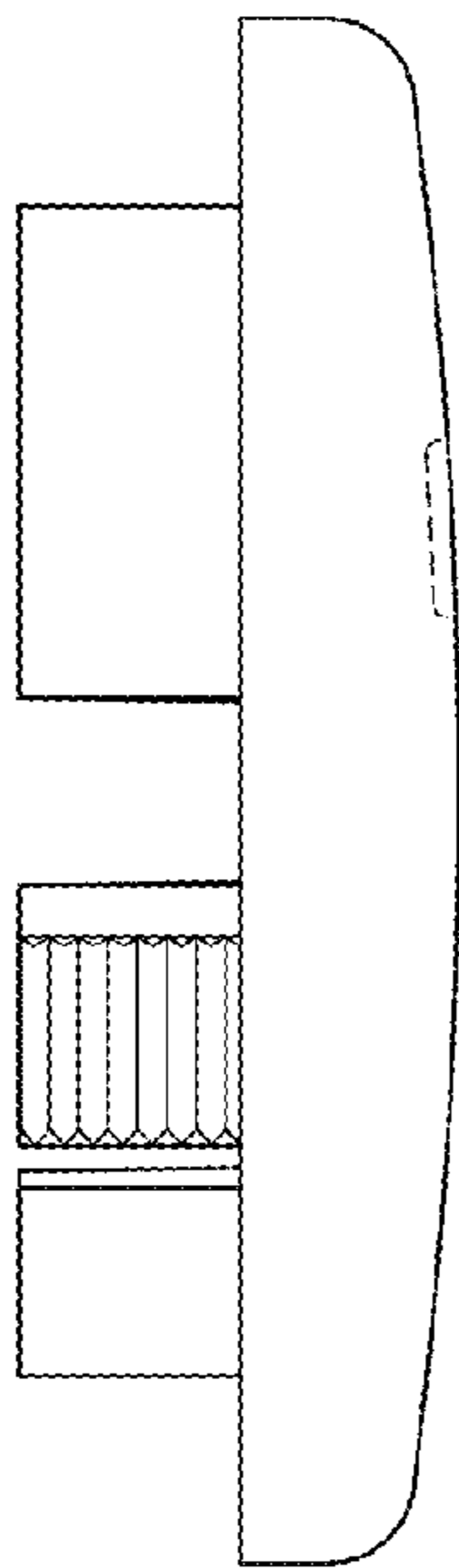


FIG. 5

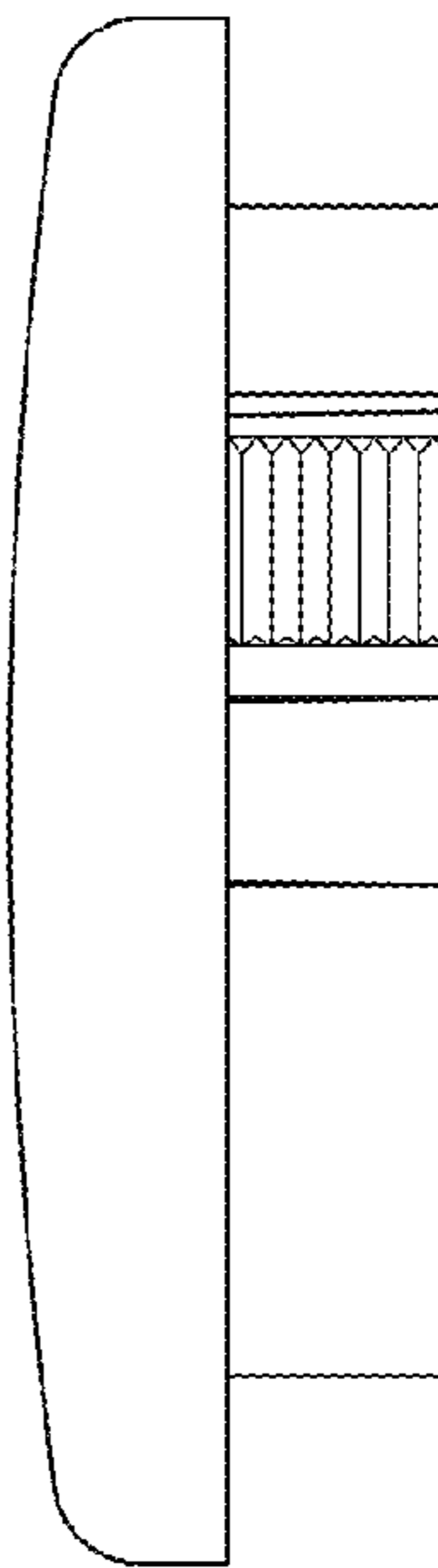


FIG. 6

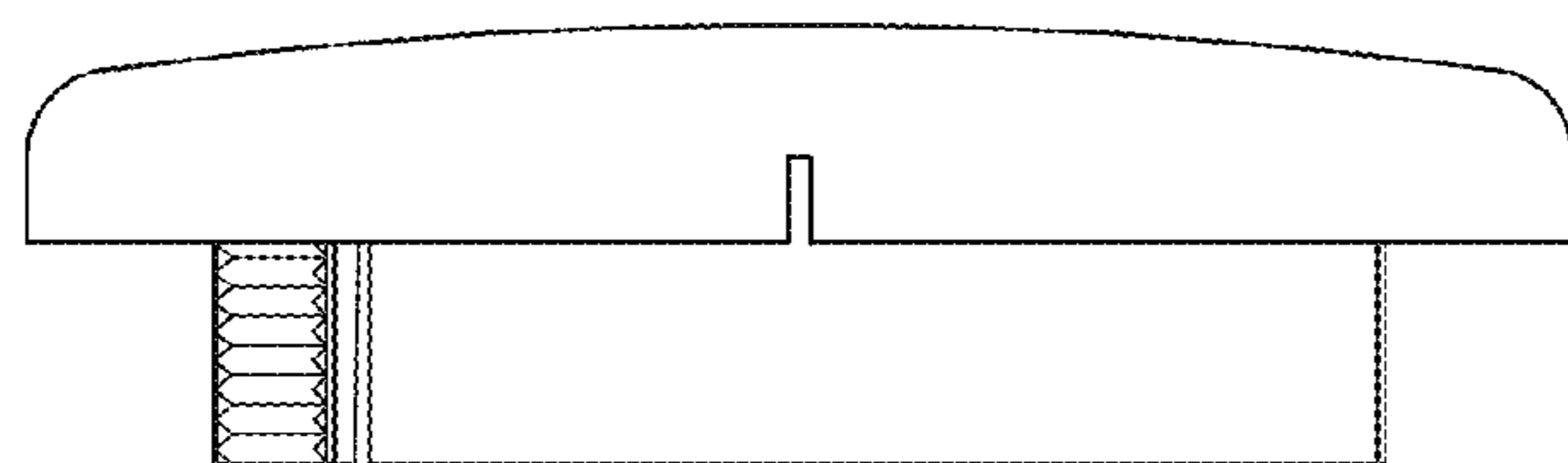


FIG. 7

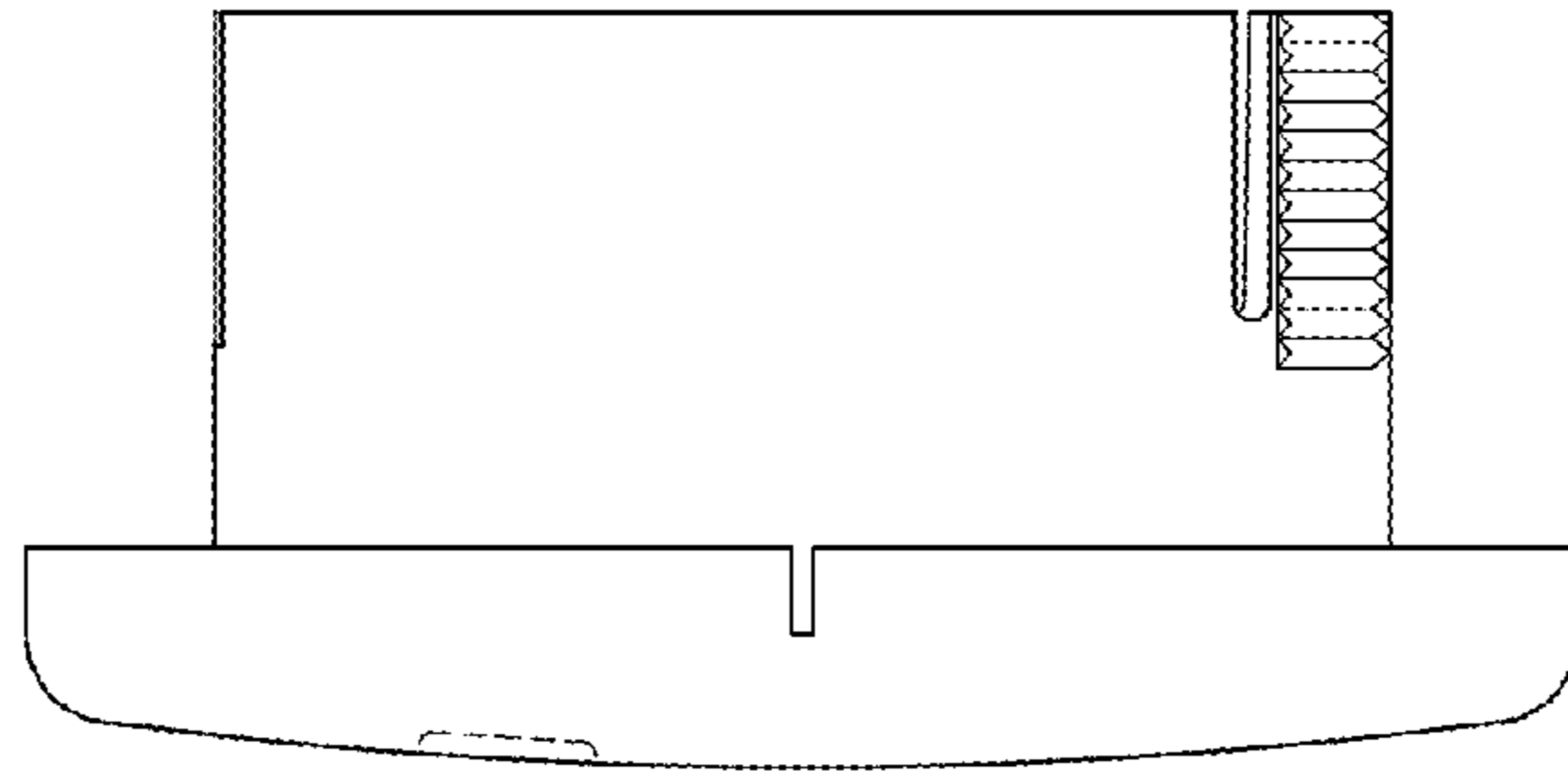


FIG. 8

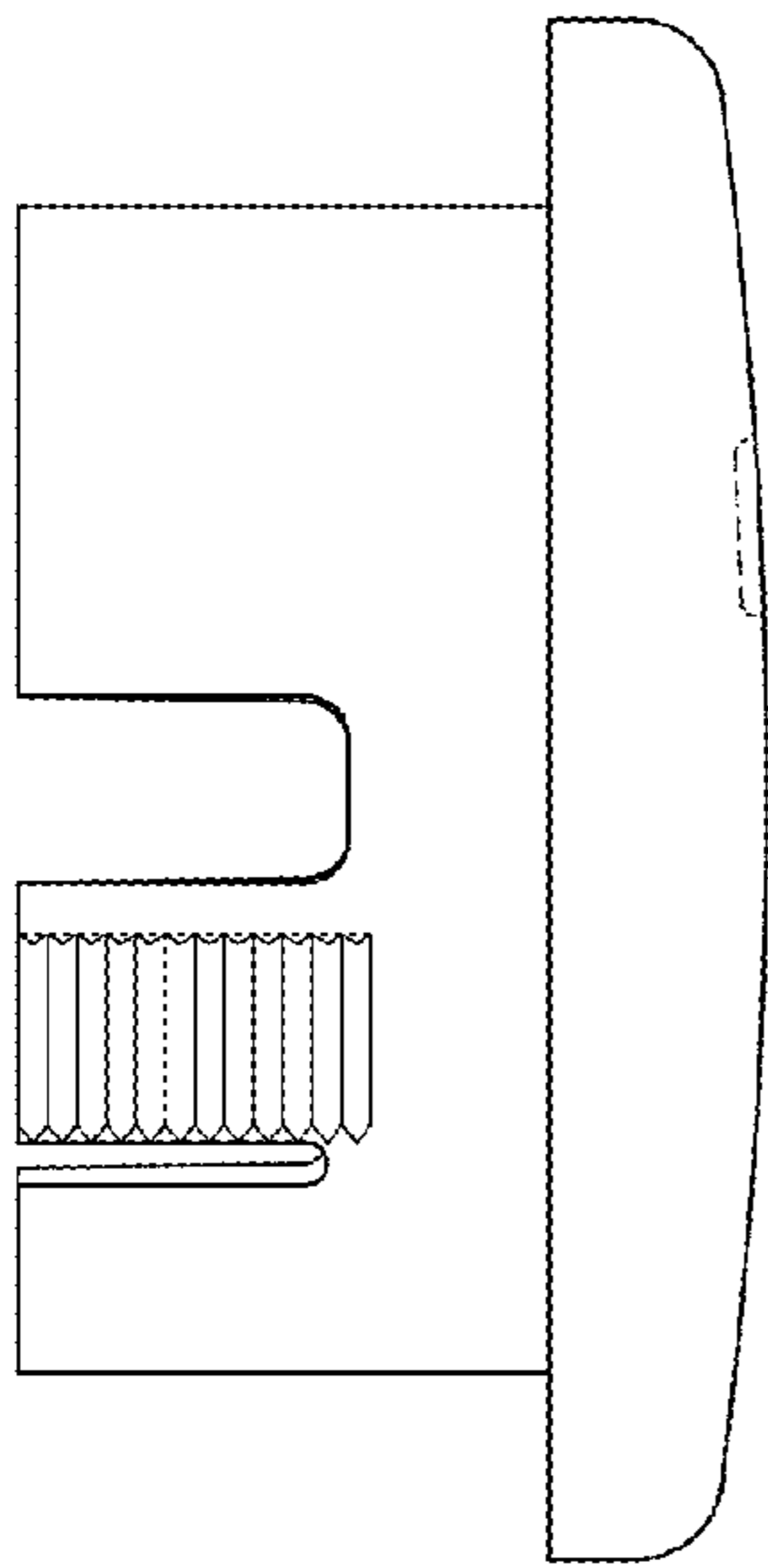


FIG. 9

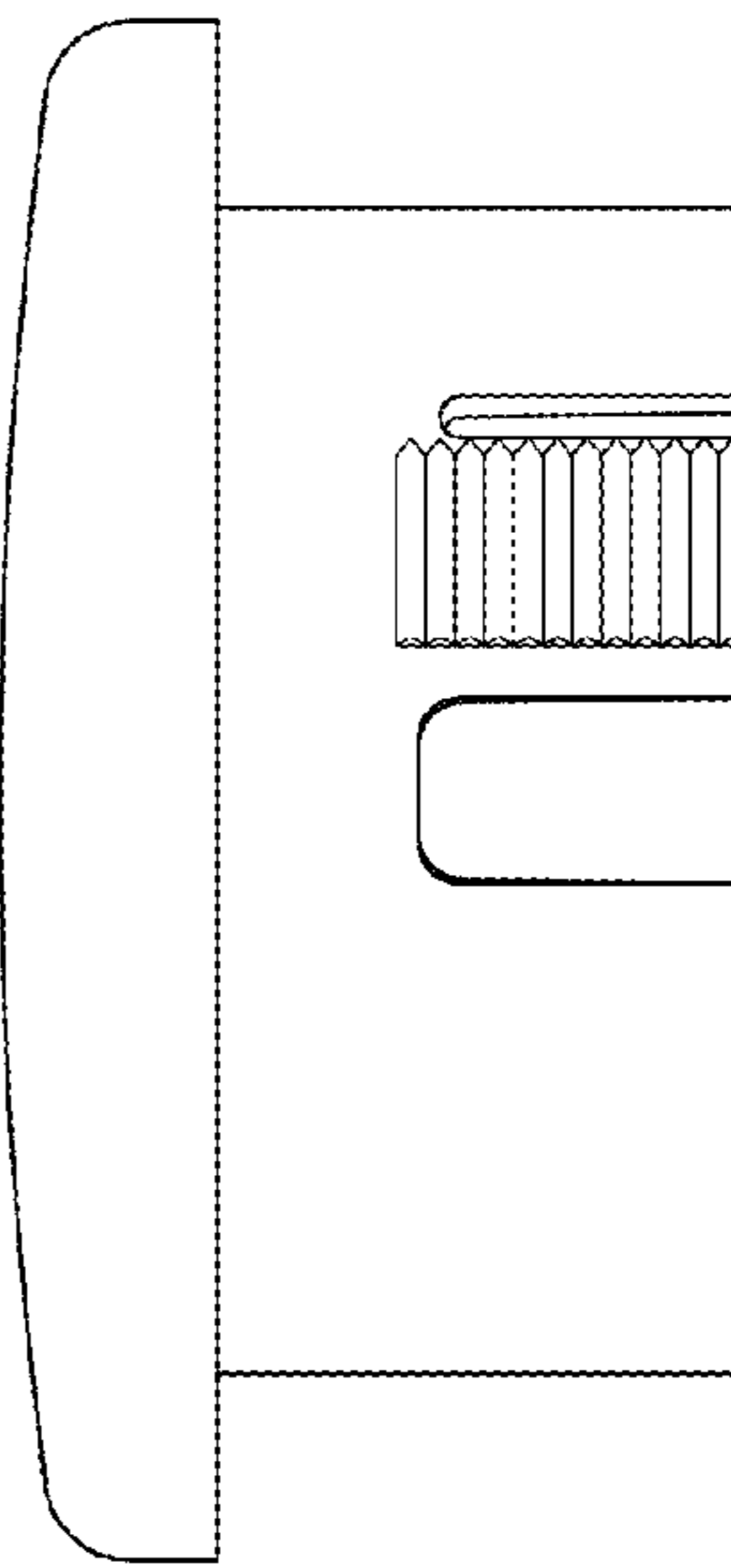


FIG. 10

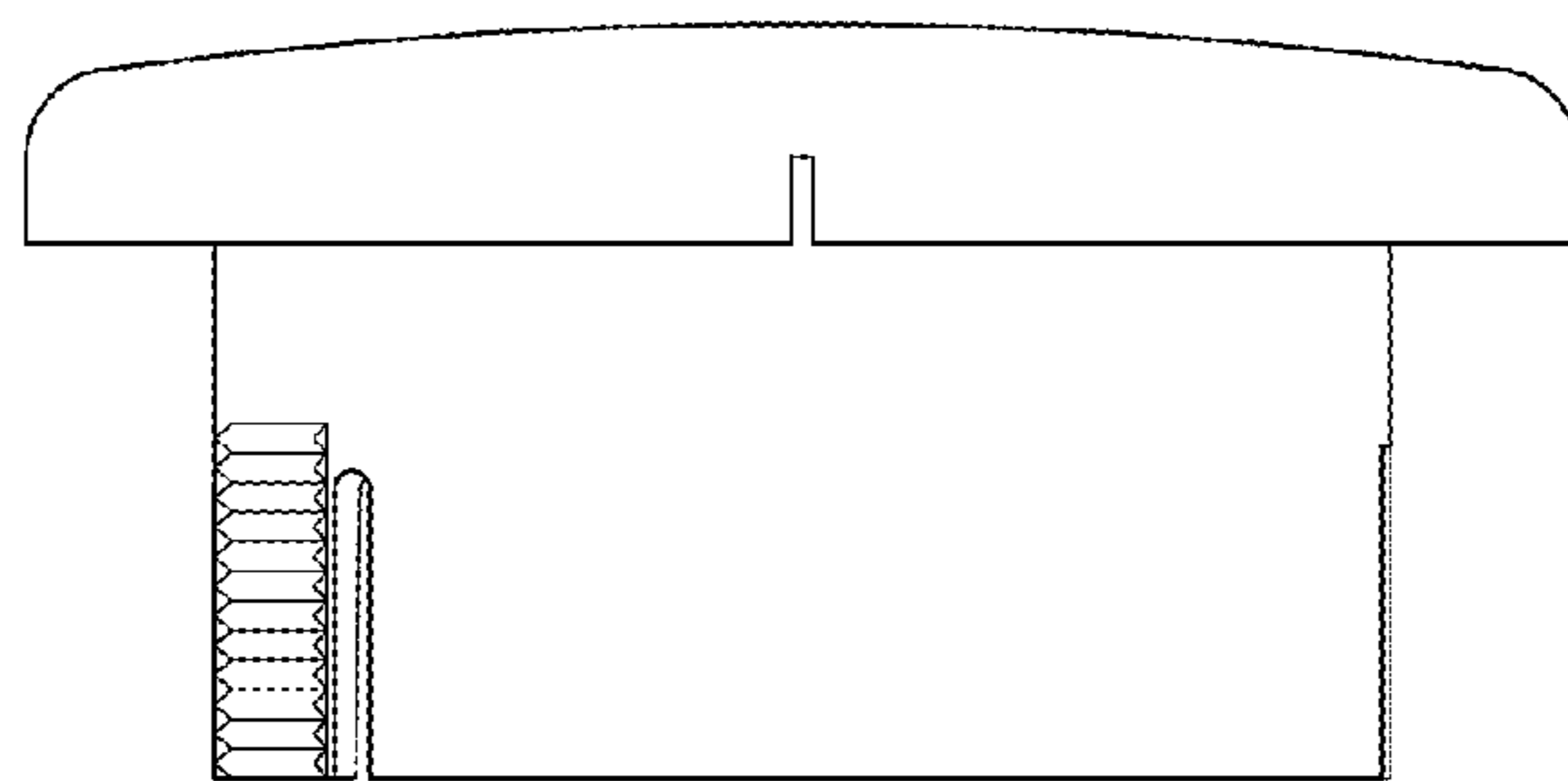


FIG. 11