



US00D737117S

(12) **United States Design Patent**
Chan

(10) **Patent No.:** **US D737,117 S**

(45) **Date of Patent:** **** Aug. 25, 2015**

- (54) **LOCK ESCUTCHEON**
- (71) Applicant: **TAIWAN FU HSING INDUSTRIAL CO., LTD.**, Kaohsiung (TW)
- (72) Inventor: **Tien-Fu Chan**, Kaohsiung (TW)
- (73) Assignee: **TAIWAN FU HSING INDUSTRIAL CO., LTD.**, Kaohsiung (TW)
- (**) Term: **14 Years**
- (21) Appl. No.: **29/498,982**
- (22) Filed: **Aug. 11, 2014**
- (30) **Foreign Application Priority Data**
 - Jun. 25, 2014 (TW) 103303742
- (51) **LOC (10) Cl.** **11-05**
- (52) **U.S. Cl.**
USPC **D8/350; D8/330**
- (58) **Field of Classification Search**
USPC D8/350–353, 346, 330, 331, 334, 300,
D8/301; 70/14, 20–22, 57, 57.1, 284–286,
70/314, 266, 277, 271, DIG. 44
CPC E05B 15/02; E05B 13/103; E05B 1/00;
E05B 3/00; E05B 47/00; E05B 49/00; Y10T
70/8324; Y10T 70/8459; Y10T 70/8514;
Y10T 70/8568
See application file for complete search history.

D553,953 S *	10/2007	Roberts et al.	D8/350
D579,312 S *	10/2008	Veltz	D8/330
D588,439 S *	3/2009	Lin et al.	D8/350
D595,109 S *	6/2009	Doucet et al.	D8/331
D624,389 S *	9/2010	Stevens et al.	D8/331
D630,929 S *	1/2011	Downey	D8/331
D631,323 S *	1/2011	Stevens et al.	D8/331
D637,472 S *	5/2011	Singtoroj et al.	D8/330
D637,474 S *	5/2011	Schneider et al.	D8/350
D645,726 S *	9/2011	Lu et al.	D8/330
D660,129 S *	5/2012	Genord et al.	D8/330
D666,074 S *	8/2012	Genord et al.	D8/330
D677,145 S *	3/2013	Hsieh et al.	D8/346
D682,658 S *	5/2013	Cramer et al.	D8/331
D684,842 S *	6/2013	Chan et al.	D8/331
D694,091 S *	11/2013	Gartner	D8/330
D699,096 S *	2/2014	Chan et al.	D8/350
D705,037 S *	5/2014	Yang et al.	D8/331
D720,599 S *	1/2015	Weinerman et al.	D8/331
D729,610 S *	5/2015	Gao et al.	D8/331

* cited by examiner

Primary Examiner — Mark Goodwin

(74) *Attorney, Agent, or Firm* — Jackson IPG PLLC;
Demian K. Jackson

(57) **CLAIM**

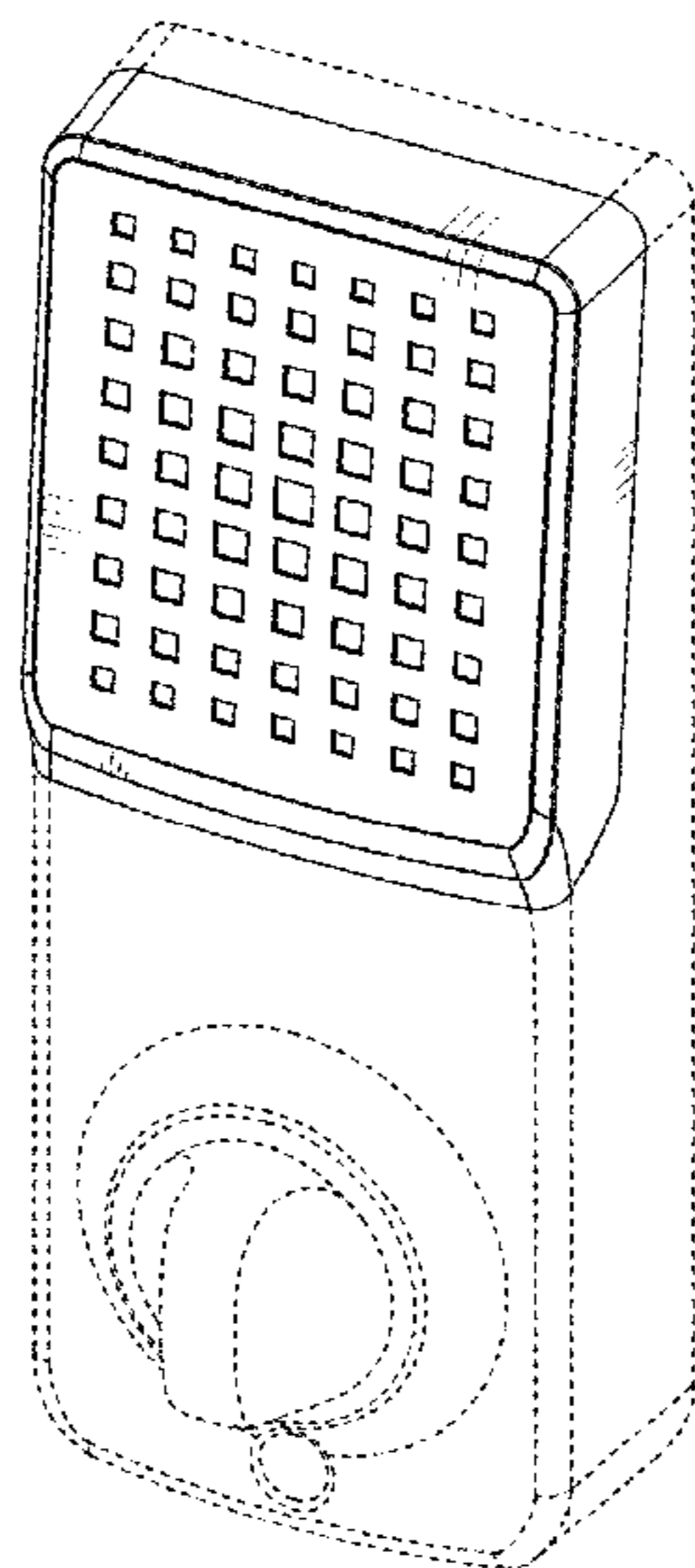
The ornamental design for a lock escutcheon, as shown and described.

DESCRIPTION

FIG. 1 is a perspective view of a lock escutcheon showing our new design;
FIG. 2 is a front elevational view thereof;
FIG. 3 is a top plan view thereof;
FIG. 4 is a right side elevational view thereof;
FIG. 5 is a left side elevational view thereof;
FIG. 6 is a rear elevational view thereof; and,
FIG. 7 is a bottom plan view thereof.
The broken lines shown in the drawings depict environmental subject matter only and form no part of the claimed design.

1 Claim, 7 Drawing Sheets

- (56) **References Cited**
U.S. PATENT DOCUMENTS
5,475,996 A * 12/1995 Chen 70/279.1
D452,807 S * 1/2002 Gartner D8/330
D484,390 S * 12/2003 Abernethy et al. D8/331
D527,614 S * 9/2006 St. James D8/346
D552,966 S * 10/2007 Roberts et al. D8/350
D552,967 S * 10/2007 Roberts et al. D8/350



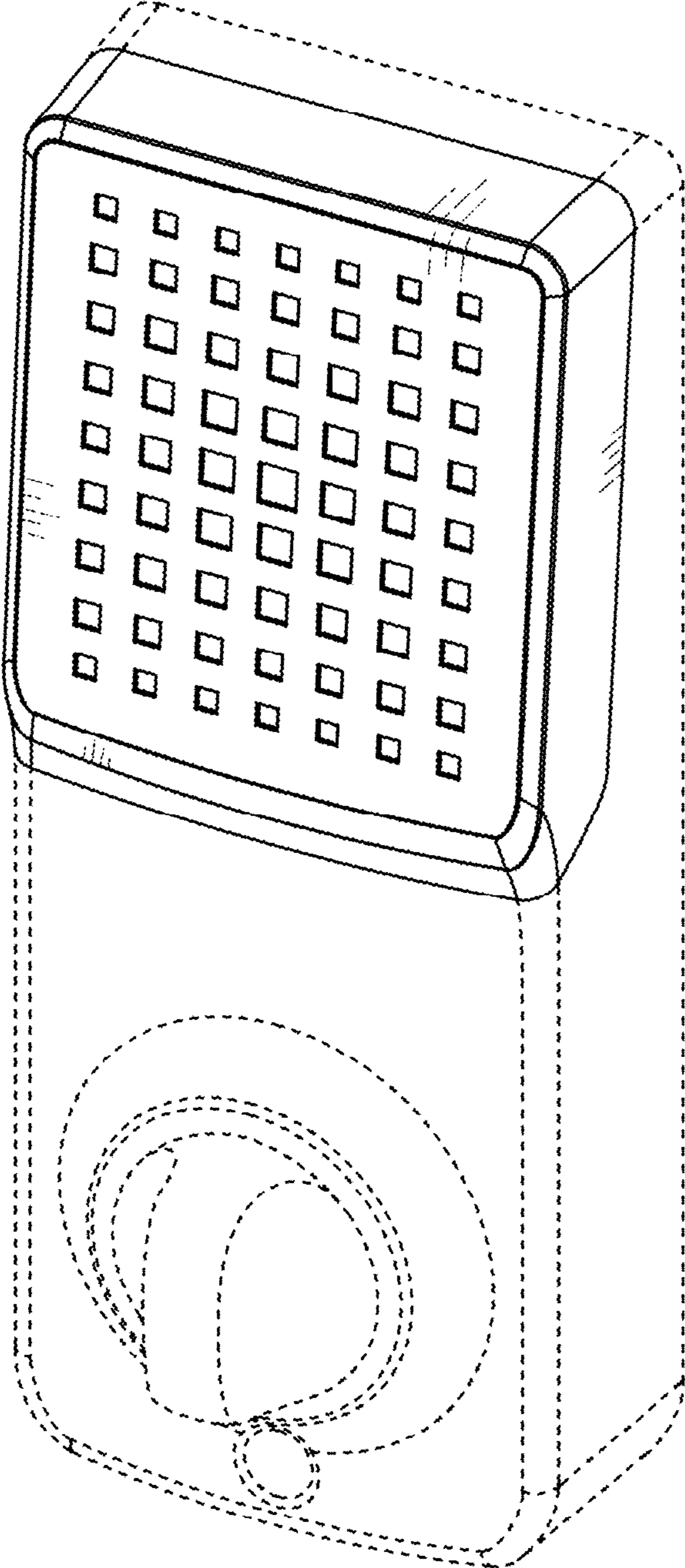


FIG. 1

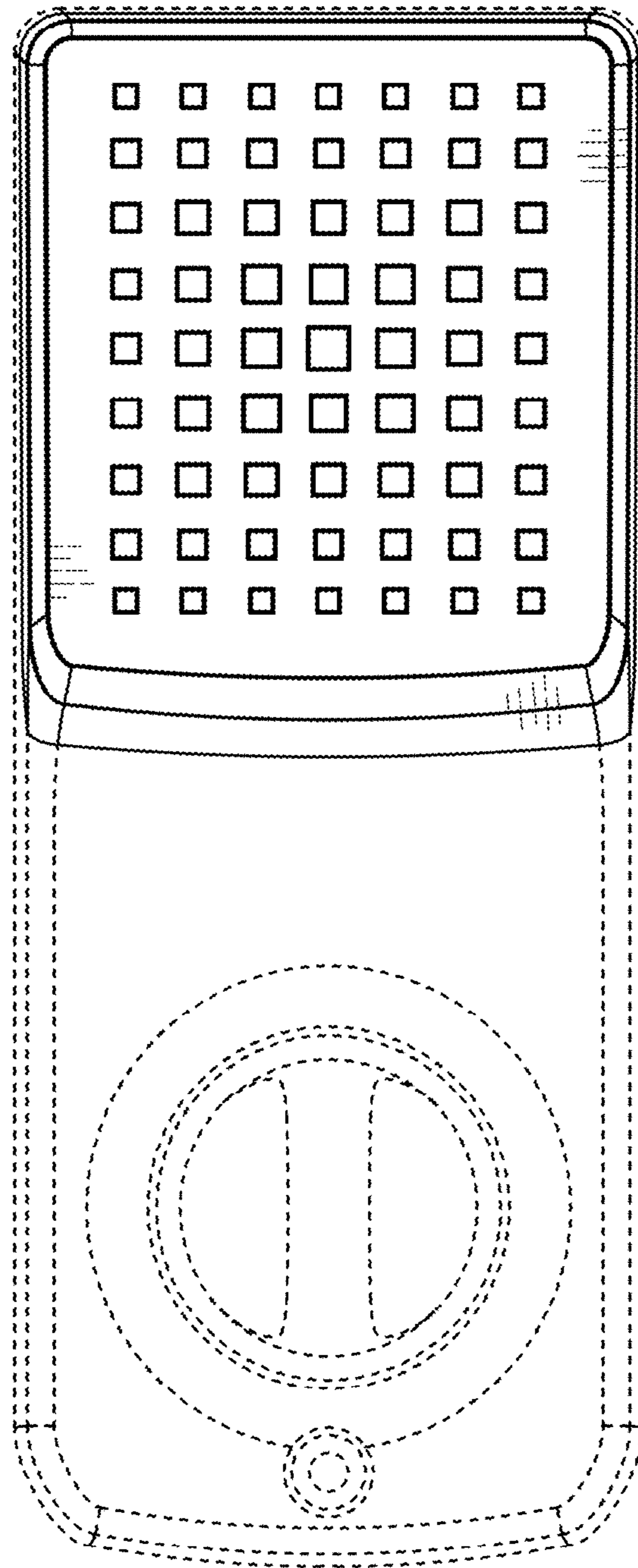


FIG. 2

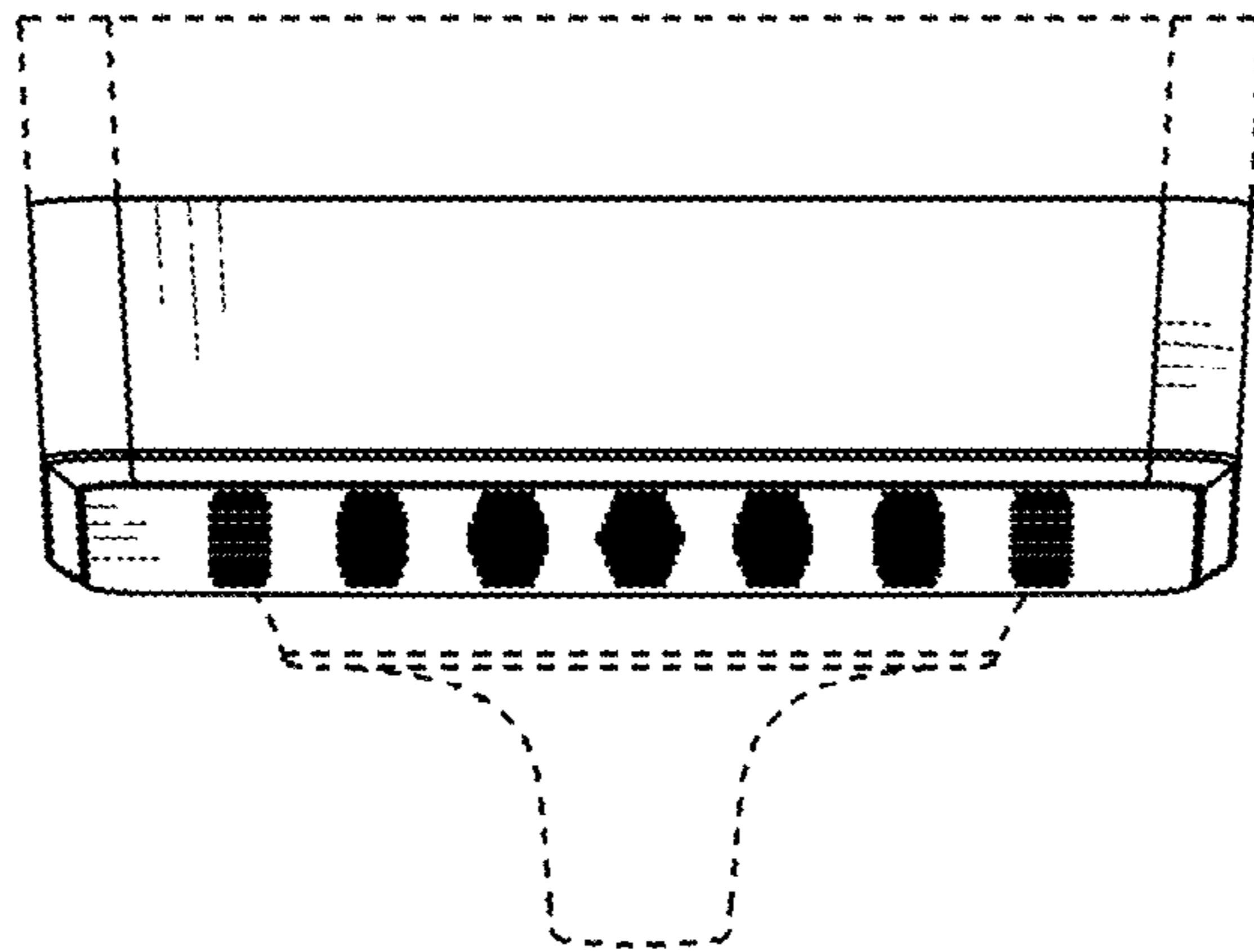


FIG. 3

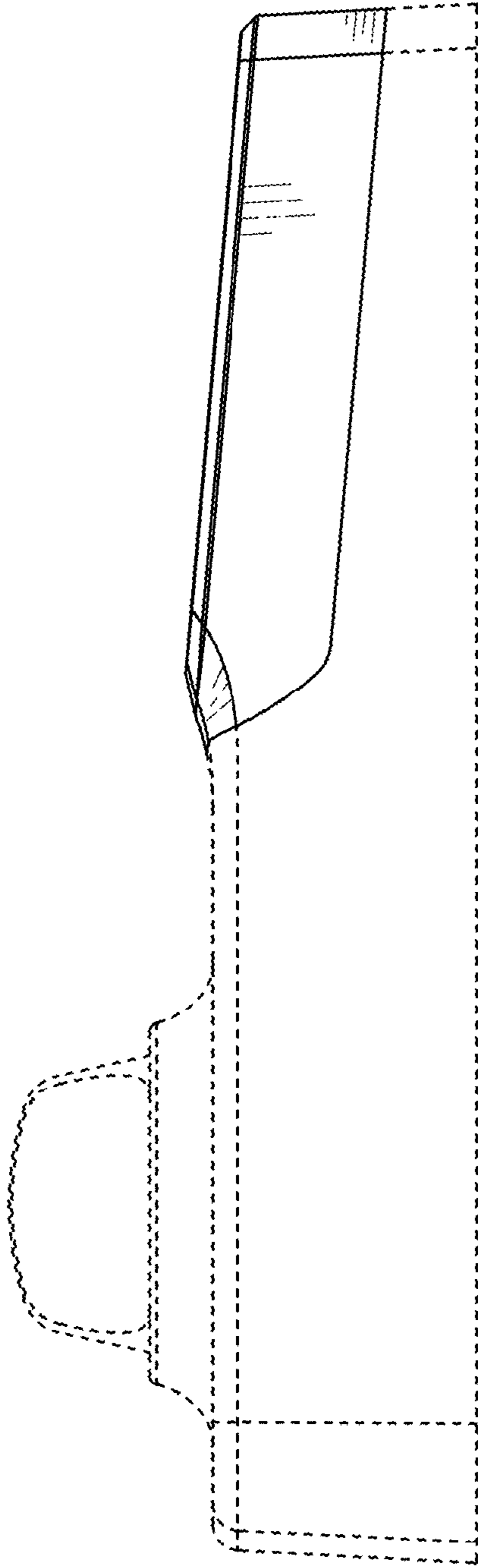


FIG. 4

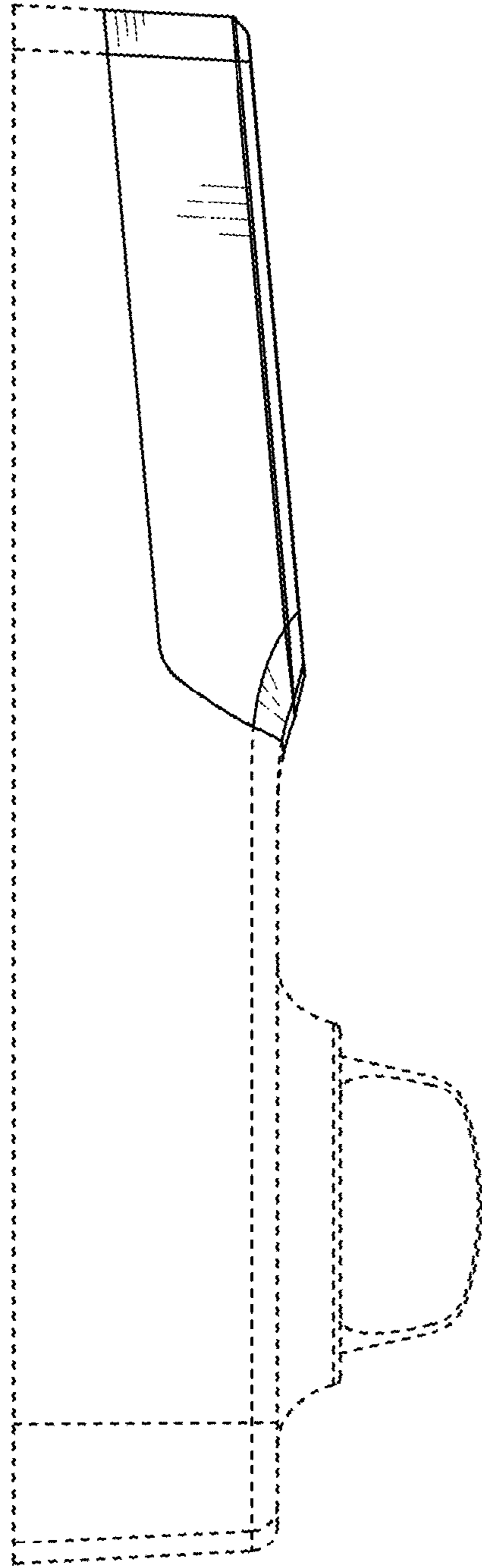


FIG. 5

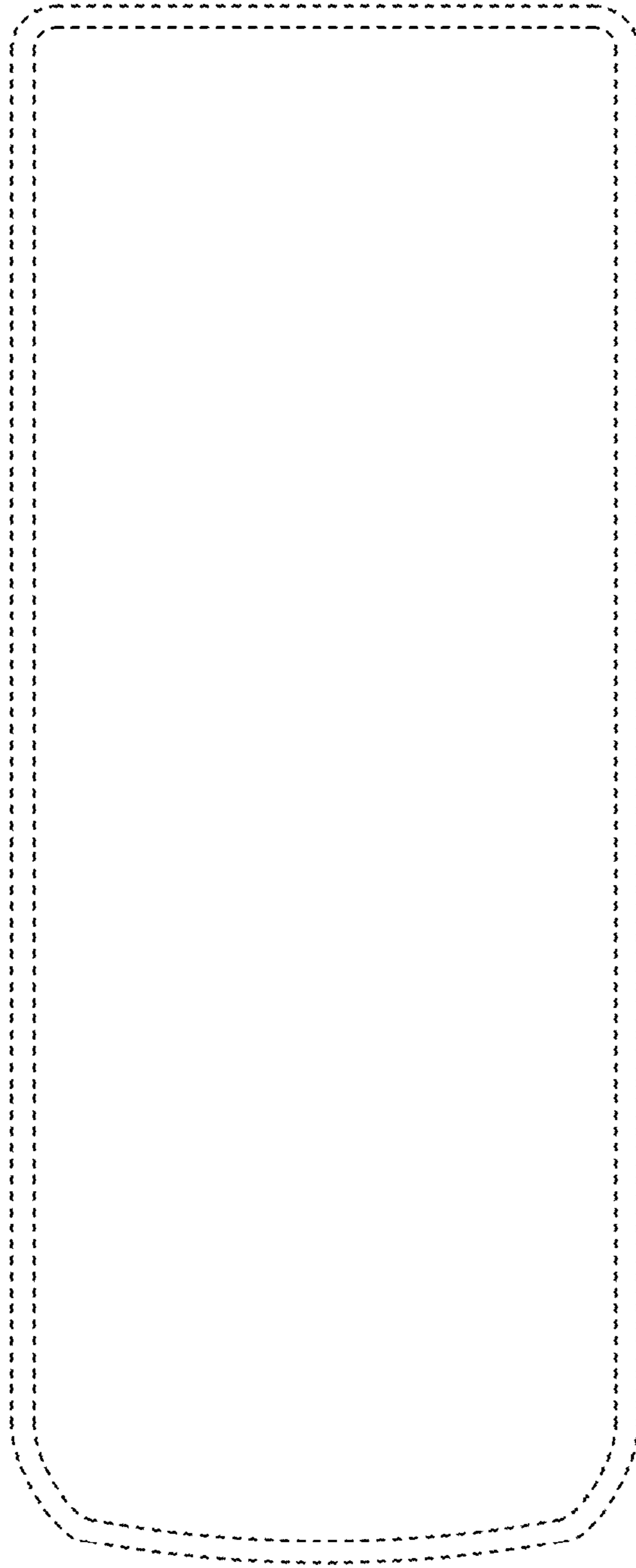


FIG. 6

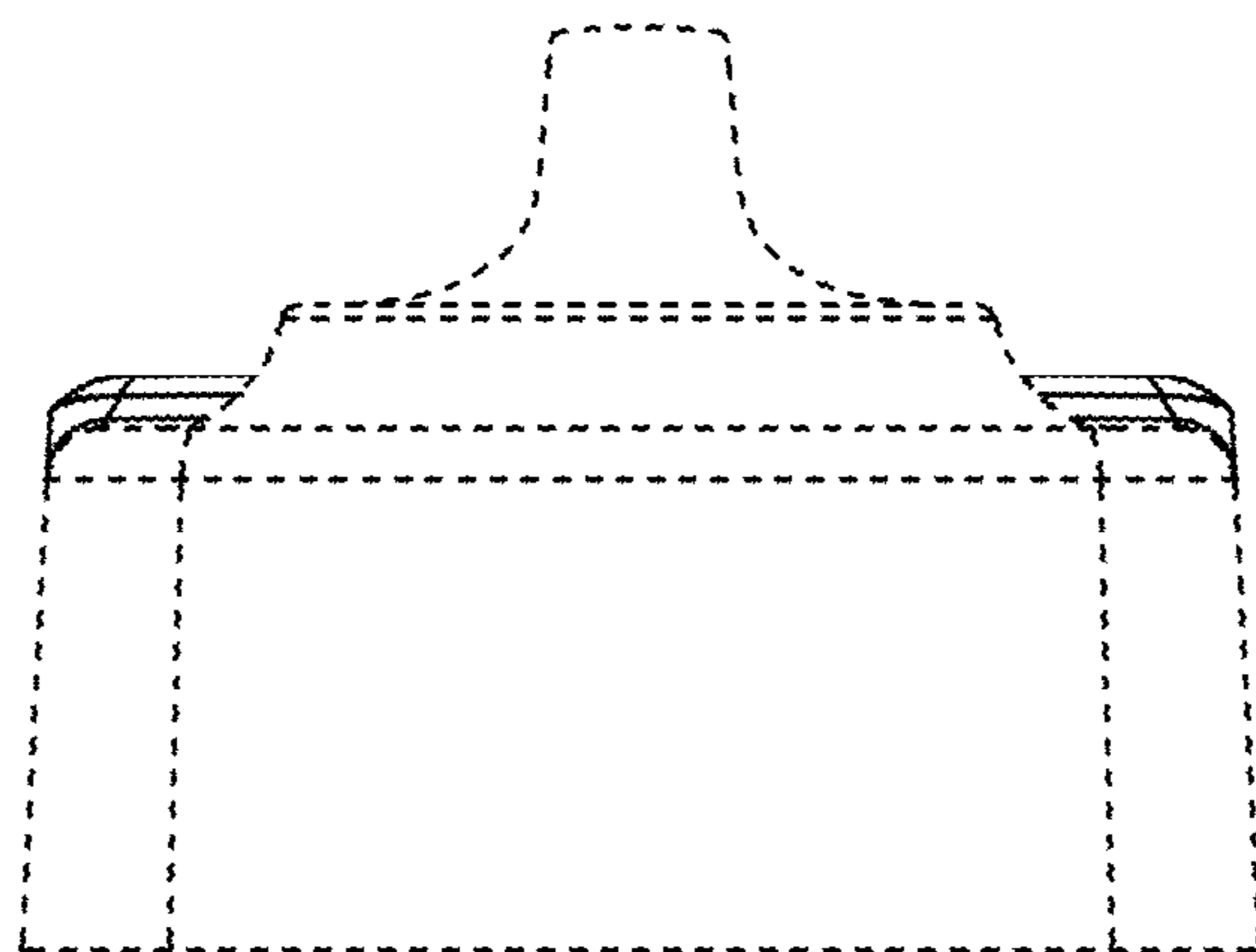


FIG. 7