

US00D737115S

(12) **United States Design Patent**
Weldon

(10) **Patent No.:** **US D737,115 S**

(45) **Date of Patent:** **** Aug. 25, 2015**

(54) **PROTECTIVE COVER**

(71) Applicant: **Weldon Industries, Inc.**, Tampa, FL
(US)

(72) Inventor: **Mark Weldon**, Tampa, FL (US)

(73) Assignee: **Weldon Industries, Inc.**, Tampa, FL
(US)

(**) Term: **14 Years**

(21) Appl. No.: **29/493,189**

(22) Filed: **Jun. 6, 2014**

(51) **LOC (10) Cl.** **08-07**

(52) **U.S. Cl.**
USPC **D8/346**

(58) **Field of Classification Search**
USPC D8/330, 331, 343, 346, 398, 394, 449;
70/57, 57.1, 51-56, 416, 485, 486,
70/445, 419, 431, 422, 158, DIG. 26,
70/20-30, 93, 160; 220/280, 265, 277
CPC E05B 1/00; E05B 9/00; E05B 9/04;
E05B 9/08; E05B 67/02; E05B 17/0004
See application file for complete search history.

(56) **References Cited**

U.S. PATENT DOCUMENTS

4,534,190 A * 8/1985 Stanich 70/54
4,570,470 A * 2/1986 Gray, Sr. 70/428

4,576,022 A * 3/1986 Gamble 70/55
4,777,812 A * 10/1988 Haugen 70/232
4,799,370 A * 1/1989 Cooper 70/63
5,144,821 A * 9/1992 Ernesti et al. 70/159
D397,026 S * 8/1998 Drake D8/346
D402,182 S * 12/1998 Drake D8/346
D406,045 S * 2/1999 Turner D8/346
D454,051 S * 3/2002 Drake D8/346
D527,614 S * 9/2006 St. James D8/346
D569,226 S * 5/2008 Brewster et al. D8/346
7,926,215 B2 * 4/2011 Riker et al. 40/654.01

* cited by examiner

Primary Examiner — Prabhakar Deshmukh

(74) *Attorney, Agent, or Firm* — Christopher Paradies;
Paradies Law P.A.

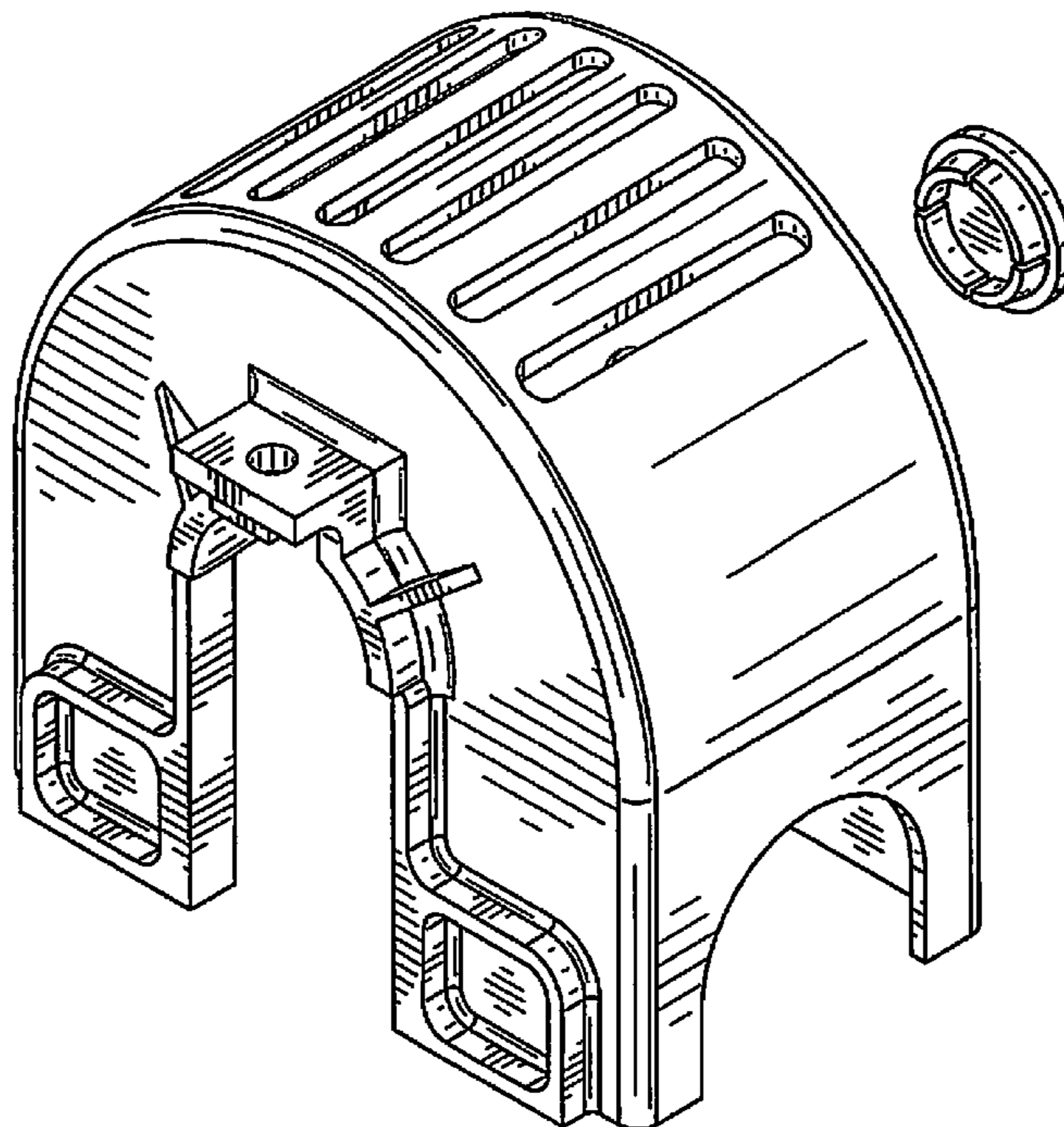
(57) **CLAIM**

The ornamental design for a protective cover, as shown and described.

DESCRIPTION

FIG. 1 is an exploded rear, left perspective view of a protective cover showing my new design;
FIG. 2 is a bottom, front perspective view thereof;
FIG. 3 is a top plan view thereof;
FIG. 4 is an exploded bottom plan view thereof;
FIG. 5 is a right side elevational view thereof;
FIG. 6 is a rear elevational view thereof;
FIG. 7 is a front elevational view thereof; and,
FIG. 8 is a bottom left perspective view thereof.

1 Claim, 6 Drawing Sheets



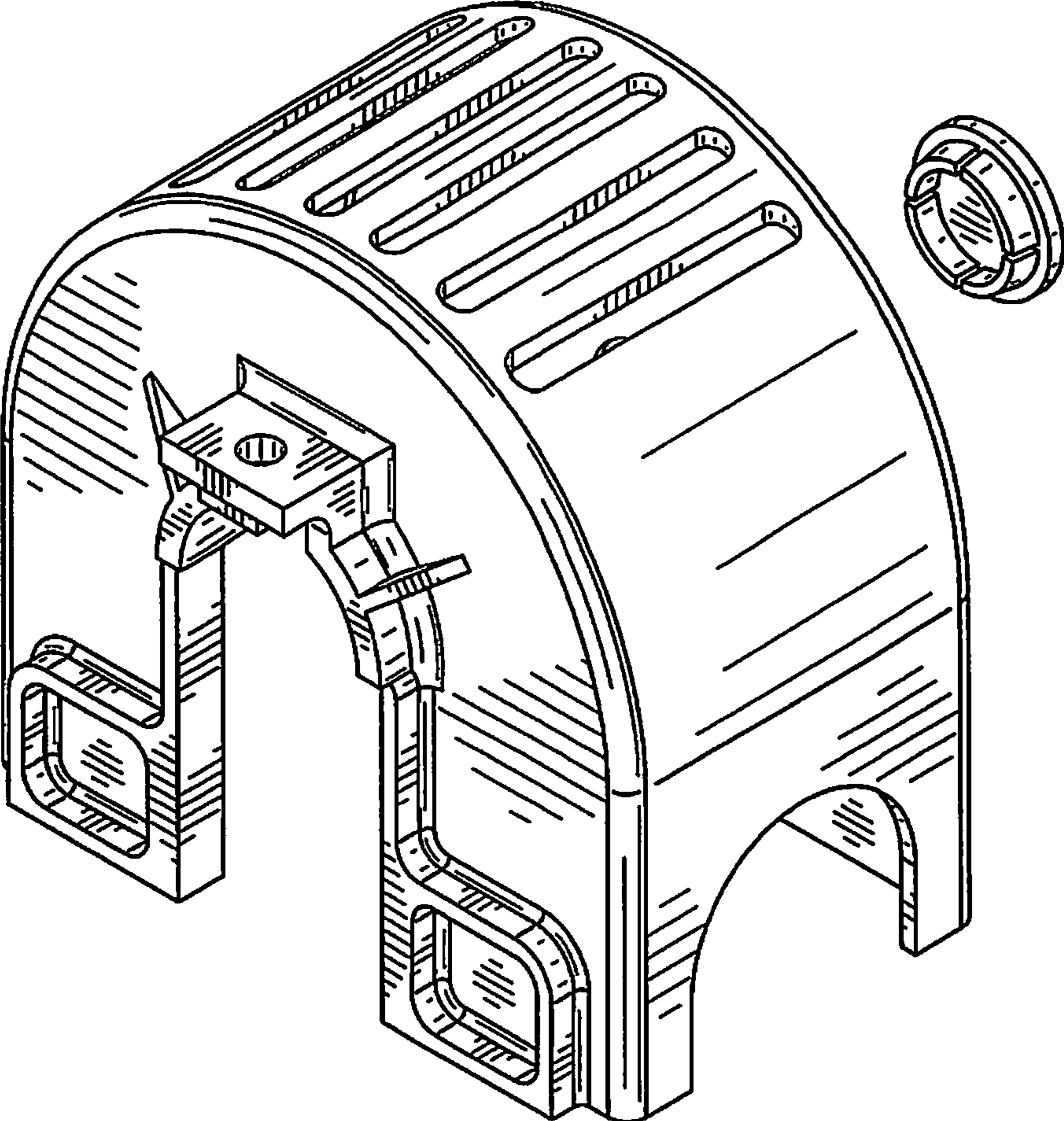


FIG. 1

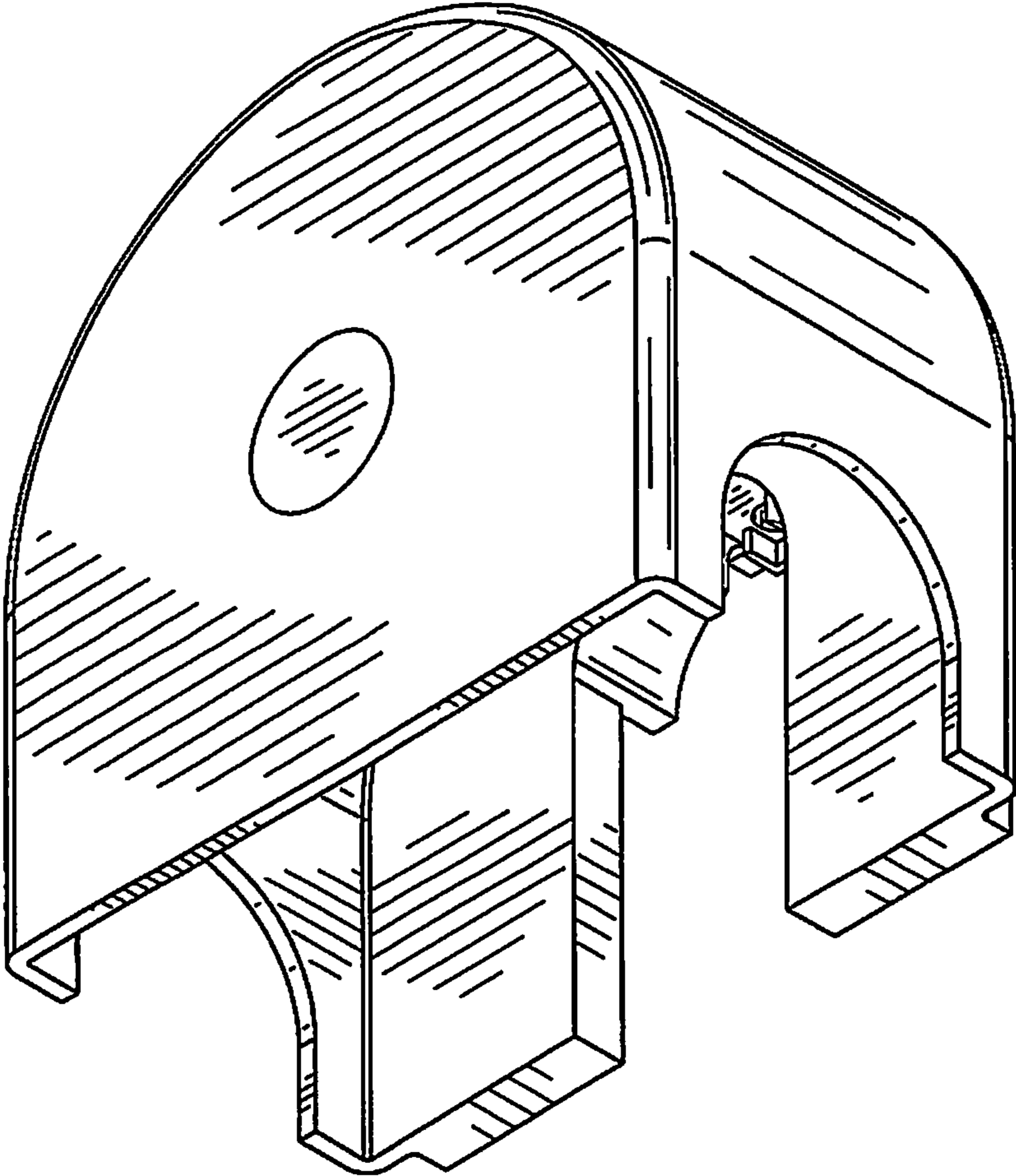


FIG. 2

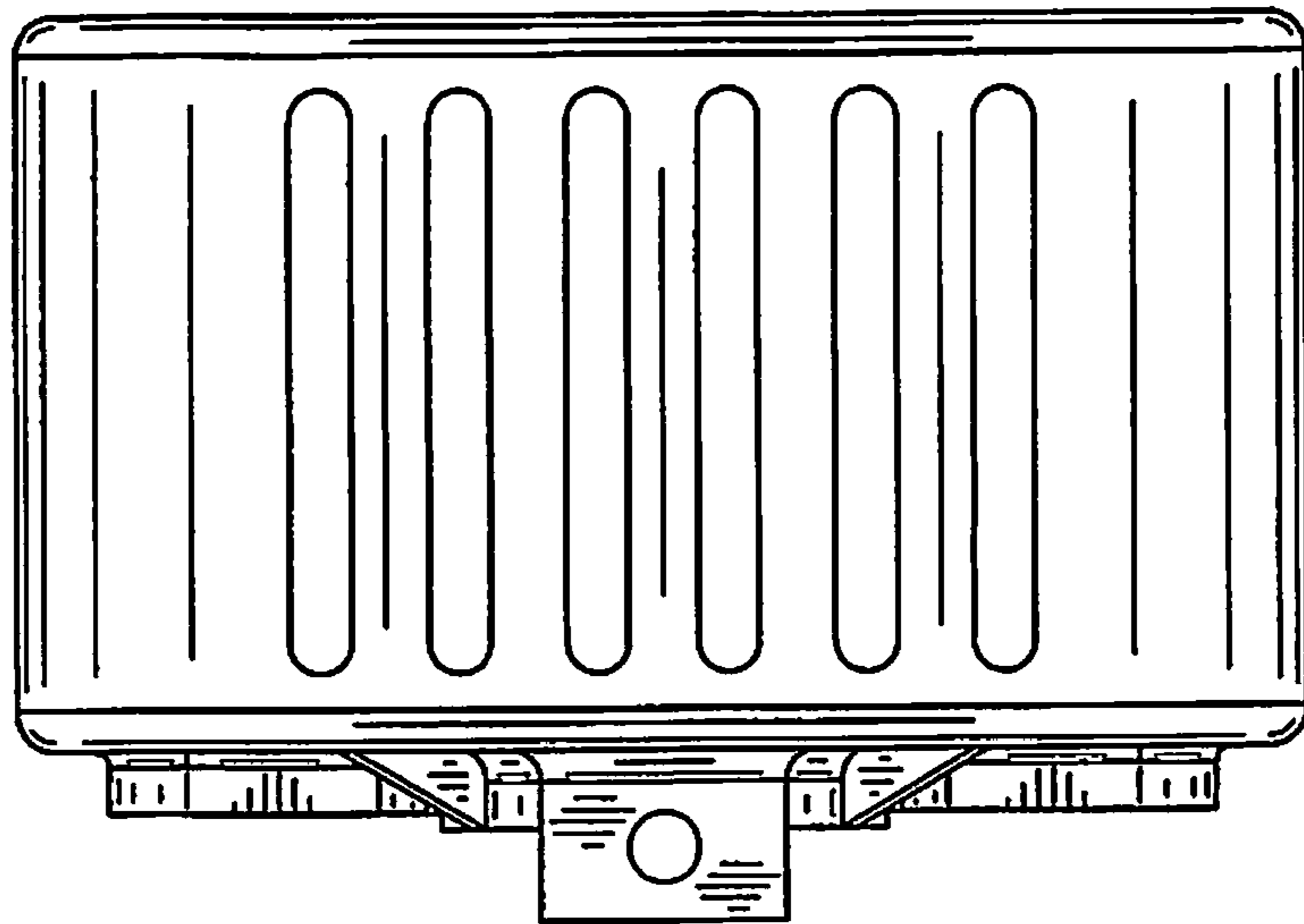


FIG. 3

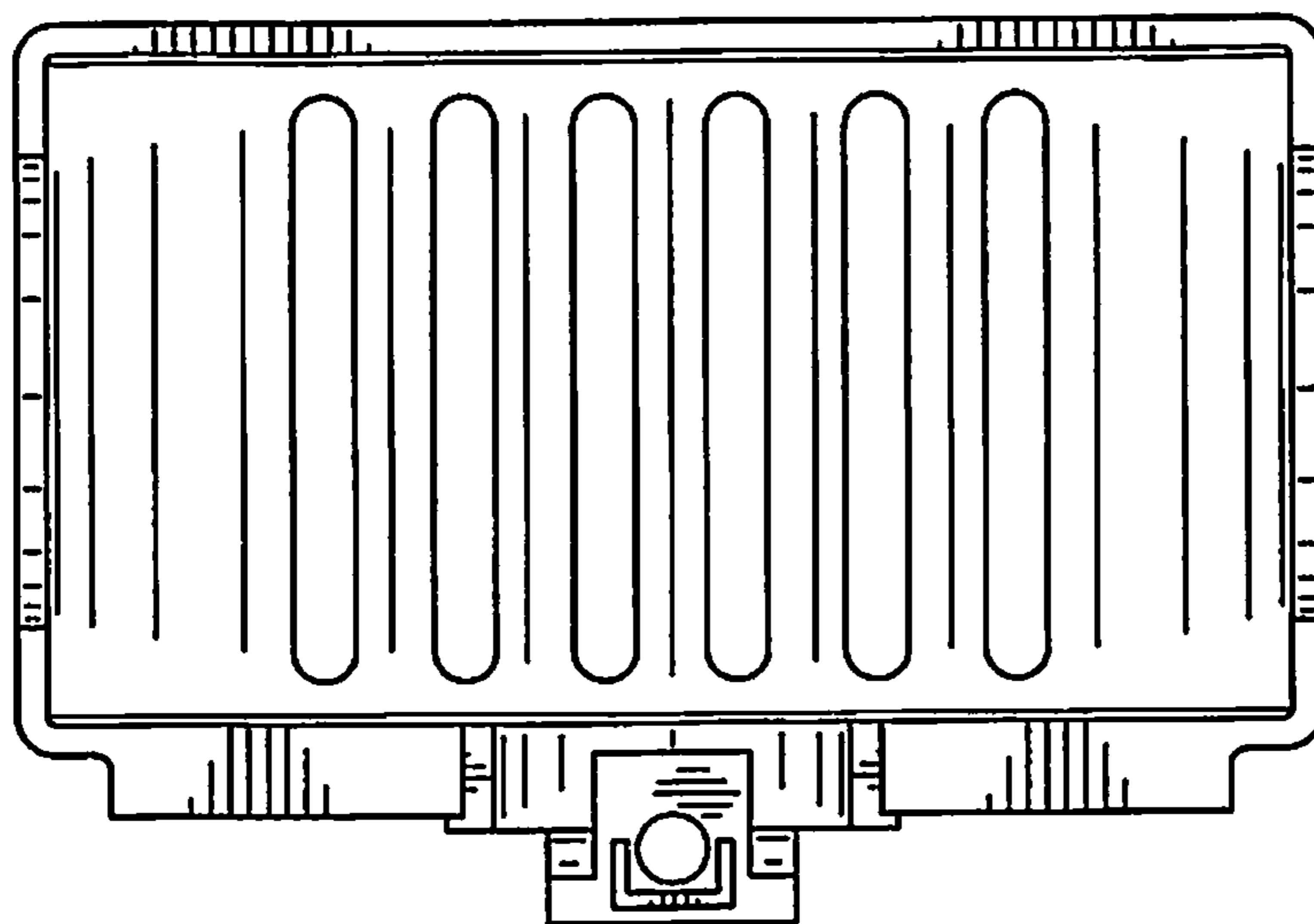


FIG. 4

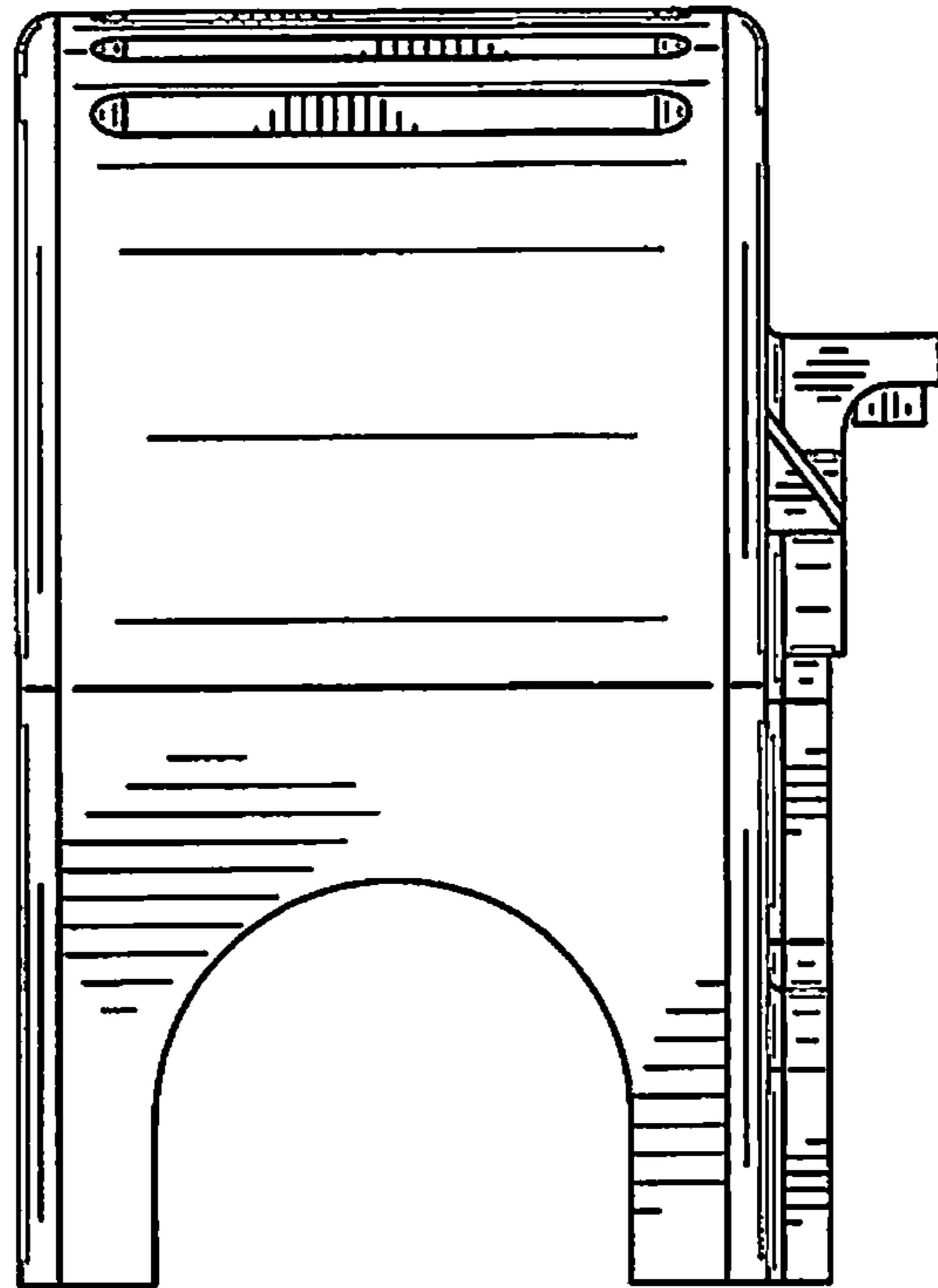


FIG. 5

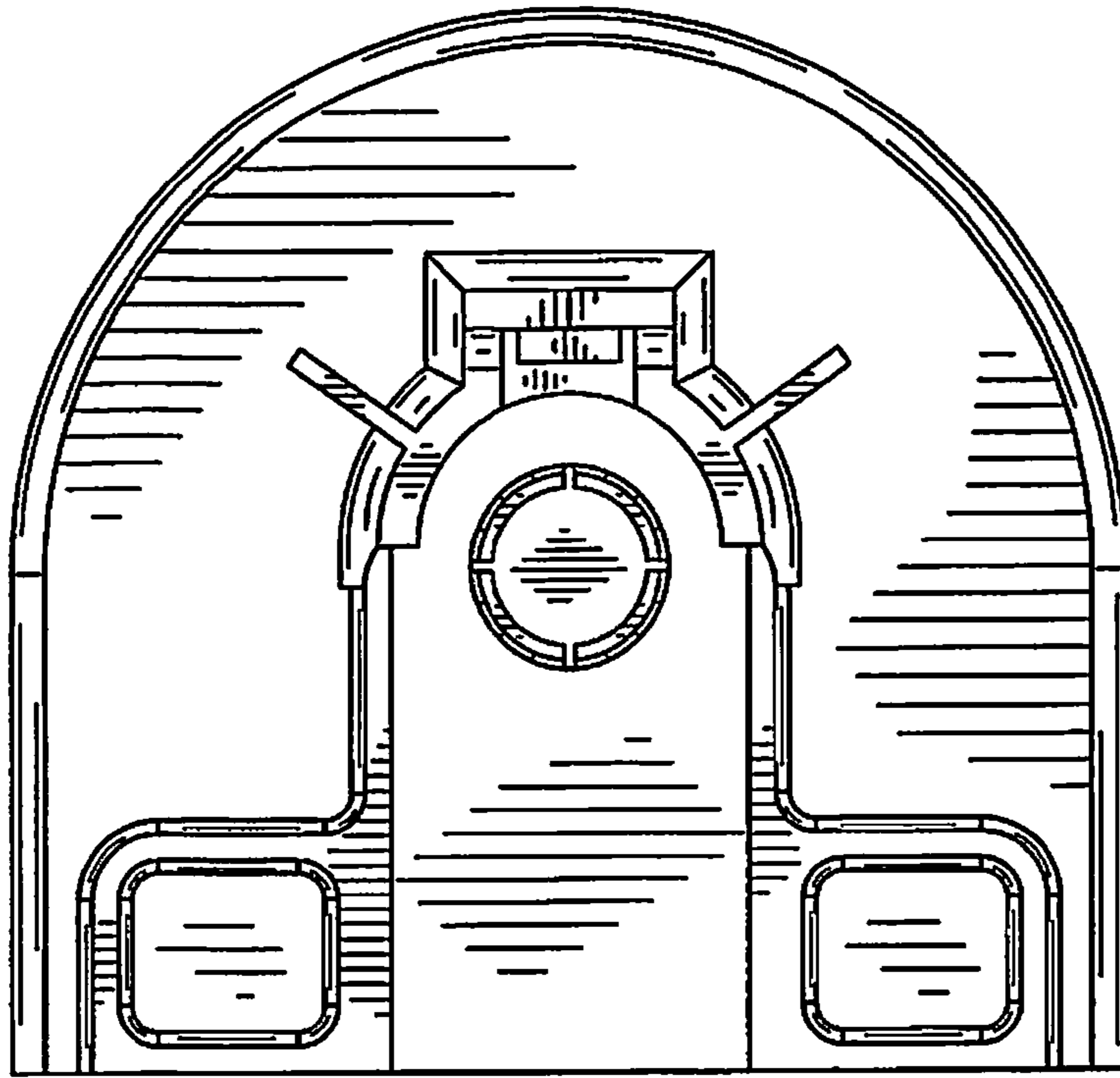


FIG. 6

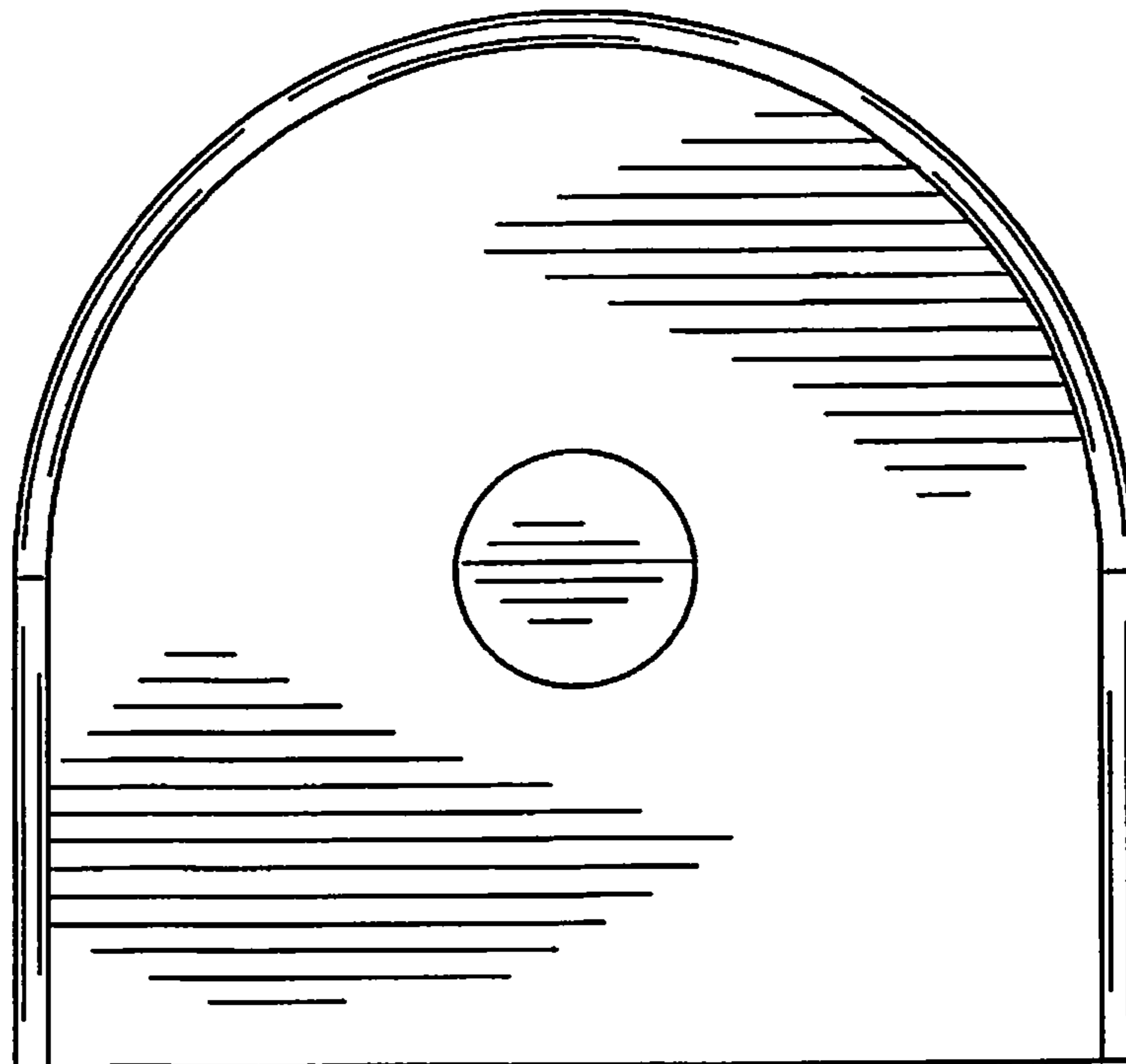


FIG. 7

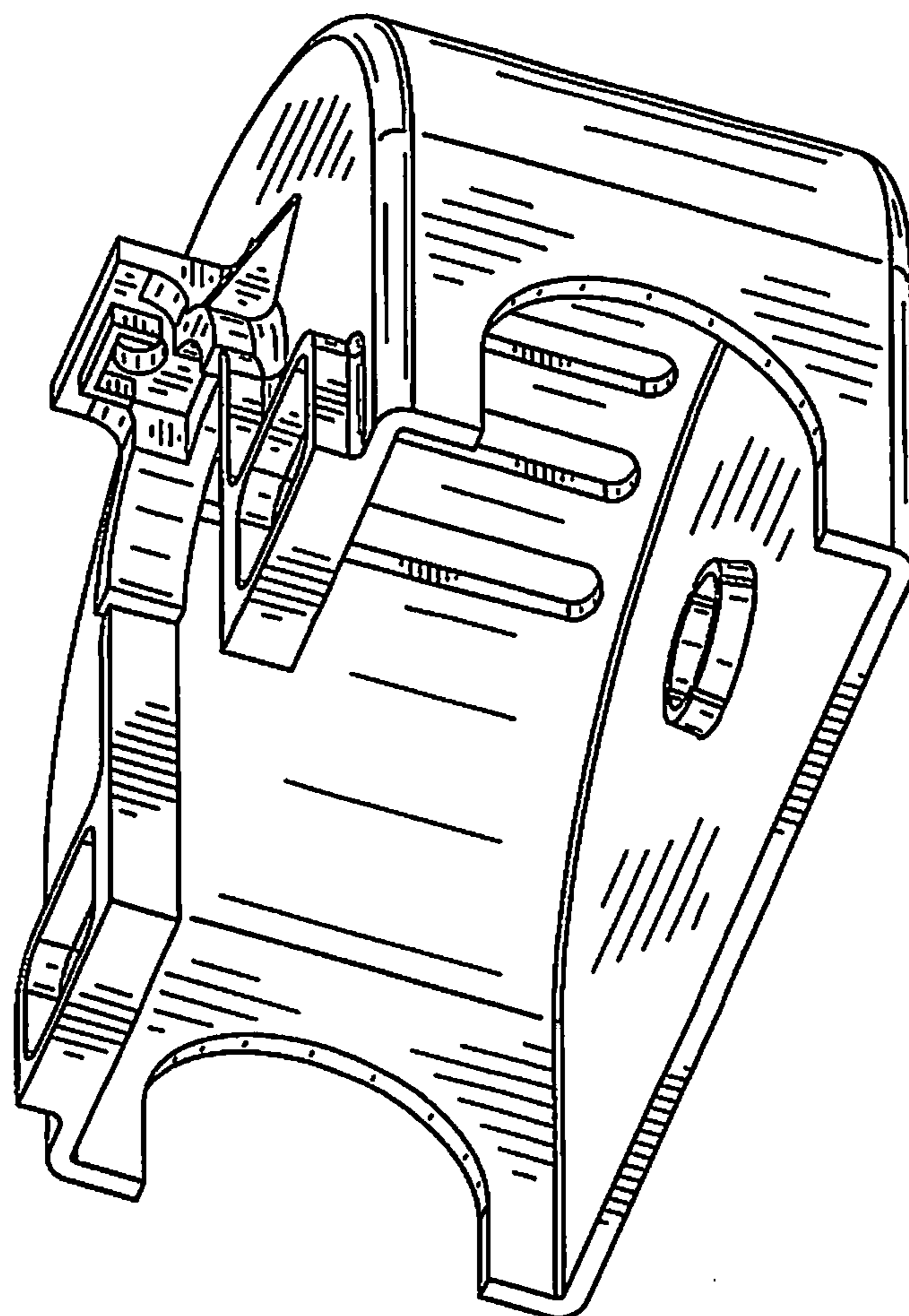


FIG. 8