



US00D737111S

(12) **United States Design Patent**  
**Cheng**

(10) **Patent No.:** **US D737,111 S**

(45) **Date of Patent:** **\*\* Aug. 25, 2015**

- (54) **KNIFE**
- (71) Applicant: **Taylor Brands, LLC**, Kingsport, TN  
(US)
- (72) Inventor: **Yang-Fu Cheng**, Taipei (TW)
- (73) Assignee: **Taylor Brands, LLC**, Kingsport, TN  
(US)
- (\*\*) Term: **14 Years**
- (21) Appl. No.: **29/473,606**
- (22) Filed: **Nov. 25, 2013**
- (51) **LOC (10) Cl.** ..... **08-03**
- (52) **U.S. Cl.**  
USPC ..... **D8/99**
- (58) **Field of Classification Search**  
USPC ..... D8/98, 99; D22/118; 30/152-160  
CPC ..... B26B 1/00; B26B 1/02; B26B 1/04;  
B26B 1/10; B26B 1/046  
See application file for complete search history.

D562,102 S	2/2008	Pearman	
D562,932 S	2/2008	Taylor	
D564,324 S *	3/2008	Hsieh-Yeh	D8/80
D572,562 S *	7/2008	Hawk et al.	D8/99
D578,857 S	10/2008	Yang-Fu	
D595,557 S *	7/2009	Hawk et al.	D8/99
D599,640 S	9/2009	Yang-Fu	
D599,641 S	9/2009	Yang-Fu	
D600,090 S	9/2009	Yang-Fu	
D600,992 S	9/2009	MacNair et al.	
D613,145 S	4/2010	Yang-Fu	
D632,154 S	2/2011	Yang-Fu	
D632,539 S	2/2011	Taylor et al.	
D632,755 S	2/2011	Weiguo	
D660,676 S	5/2012	Yang-Fu	
D670,149 S	11/2012	Yang-Fu	
D688,933 S	9/2013	Cheng	
D696,920 S *	1/2014	Cagampang et al.	D8/99
D706,605 S *	6/2014	Cheng	D8/99
8,893,389 B2 *	11/2014	Freeman	30/155

\* cited by examiner

*Primary Examiner* — Phillip S Hyder  
(74) *Attorney, Agent, or Firm* — Luedeka Neely Group, PC

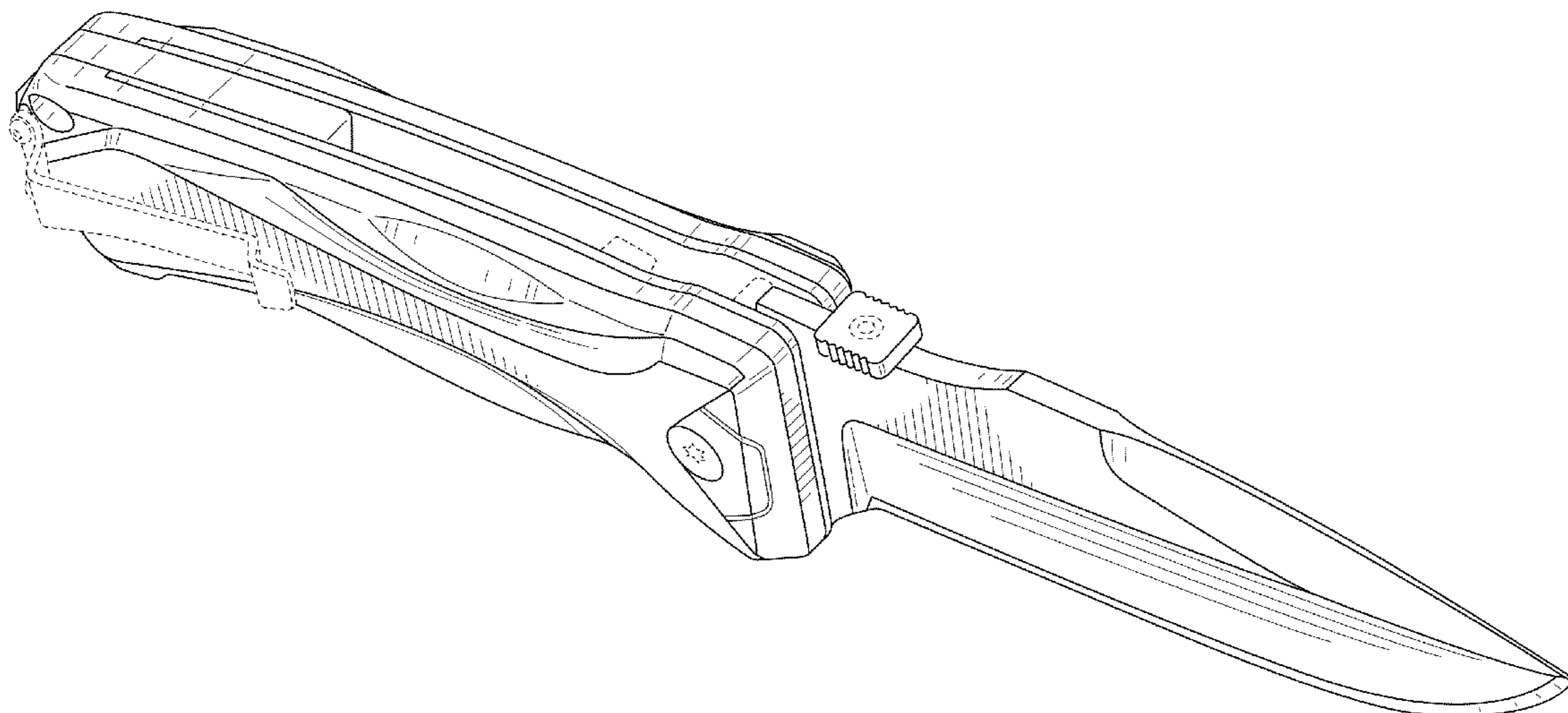
(57) **CLAIM**  
The ornamental design for a knife, as shown and described.

**DESCRIPTION**

FIG. 1 is a perspective view of a knife of my new design; FIG. 2 is a right side elevation view of the knife of FIG. 1; FIG. 3 is a left side elevation view of the knife of FIG. 1; FIG. 4 is a top plan view of the knife of FIG. 1; FIG. 5 is a bottom plan view of the knife of FIG. 1; FIG. 6 is a front end view of the knife of FIG. 1; and, FIG. 7 is a rear end view of the knife of FIG. 1. The broken lines in the drawings are included for the purpose of illustrating unclaimed features and form no part of the claimed design.

**1 Claim, 4 Drawing Sheets**

- (56) **References Cited**
- U.S. PATENT DOCUMENTS
- D407,004 S \* 3/1999 Hull et al. .... D8/99
- D410,831 S 6/1999 Dossett
- D422,477 S \* 4/2000 Elishewitz ..... D8/99
- D432,386 S \* 10/2000 Elishewitz ..... D8/99
- D482,257 S 11/2003 Taylor et al.
- D482,258 S 11/2003 Taylor et al.
- D505,057 S 5/2005 Ralph
- D510,249 S \* 10/2005 Ray ..... D8/99
- D512,624 S 12/2005 Taylor et al.
- D539,631 S 4/2007 Taylor
- D554,964 S 11/2007 Taylor
- D561,295 S 2/2008 Taylor
- D561,554 S 2/2008 Taylor



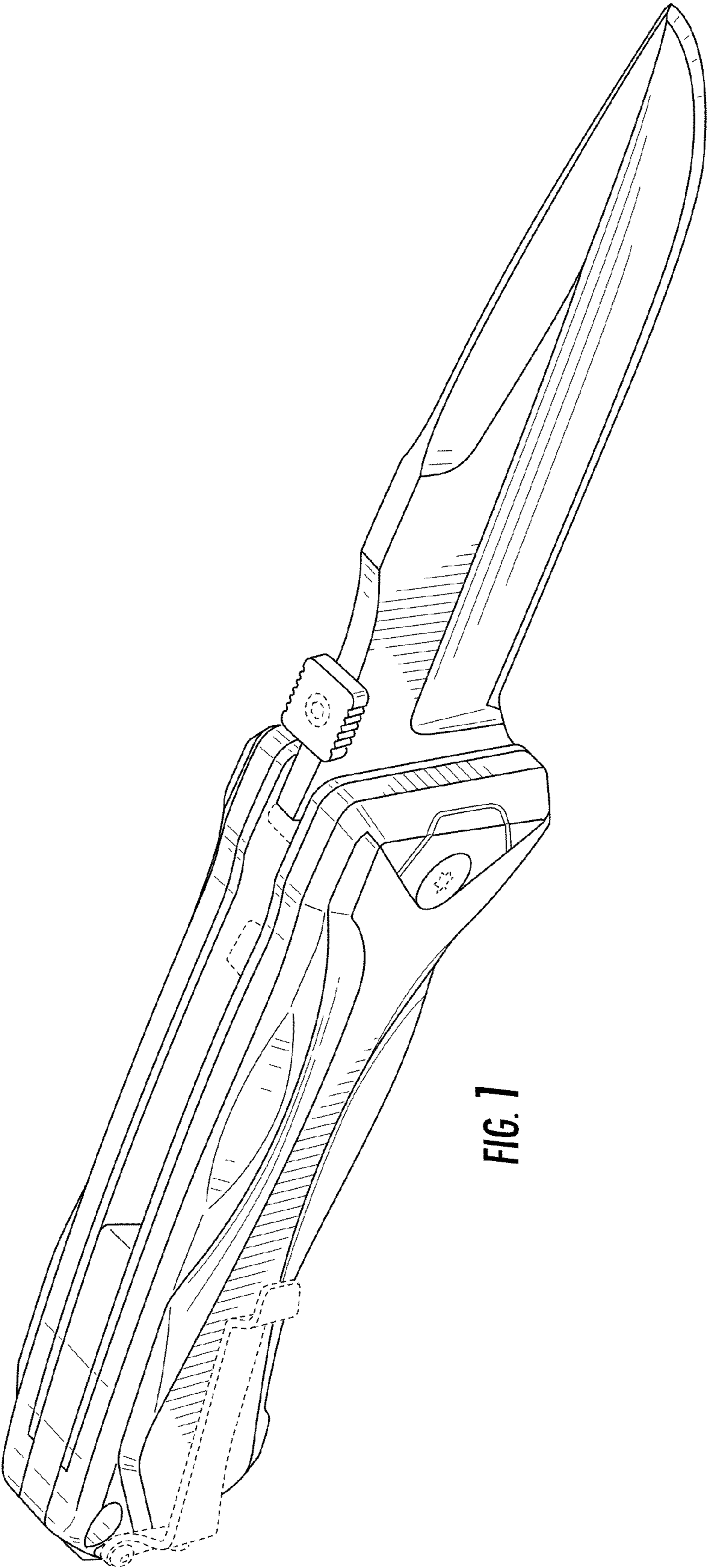


FIG. 1

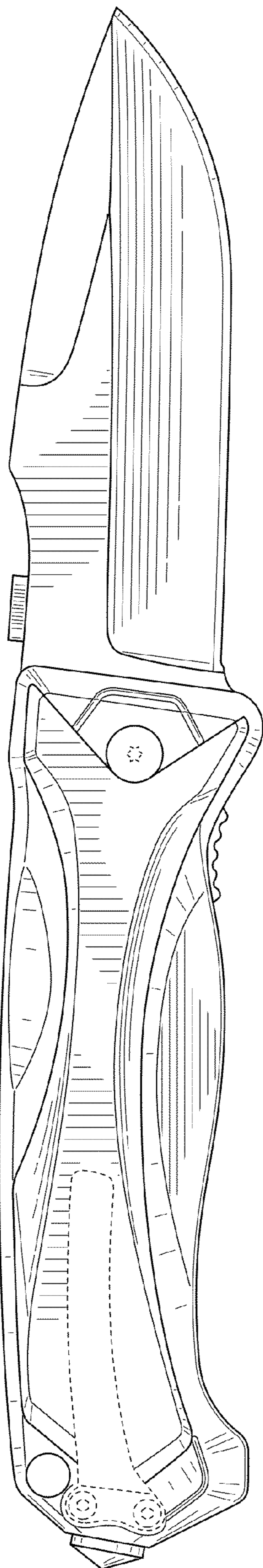


FIG. 2

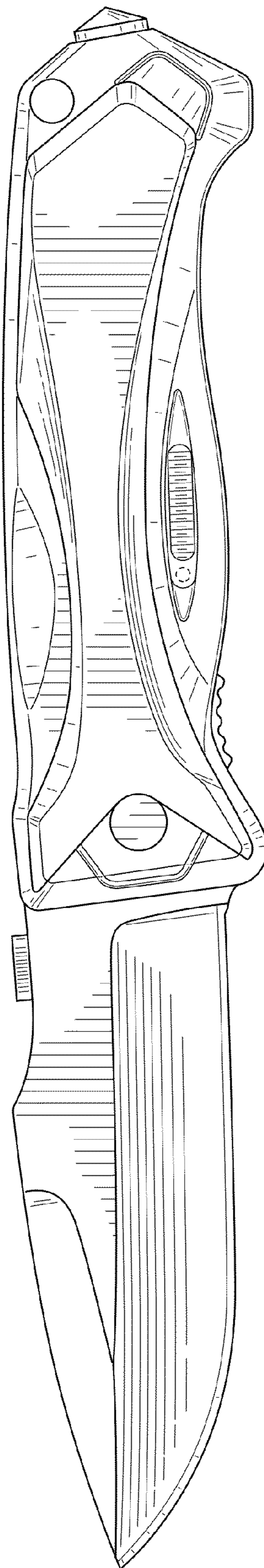


FIG. 3

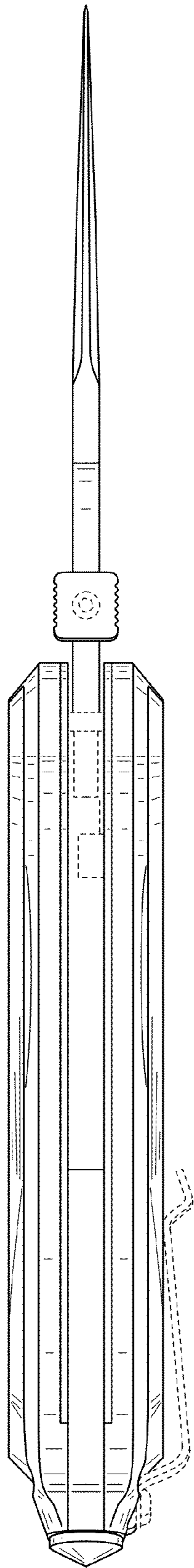


FIG. 4

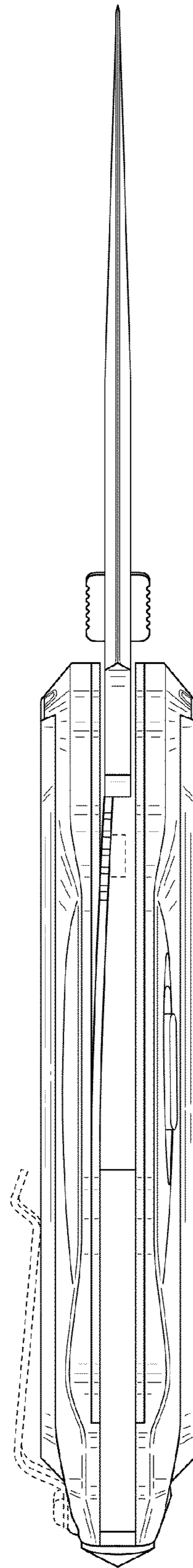
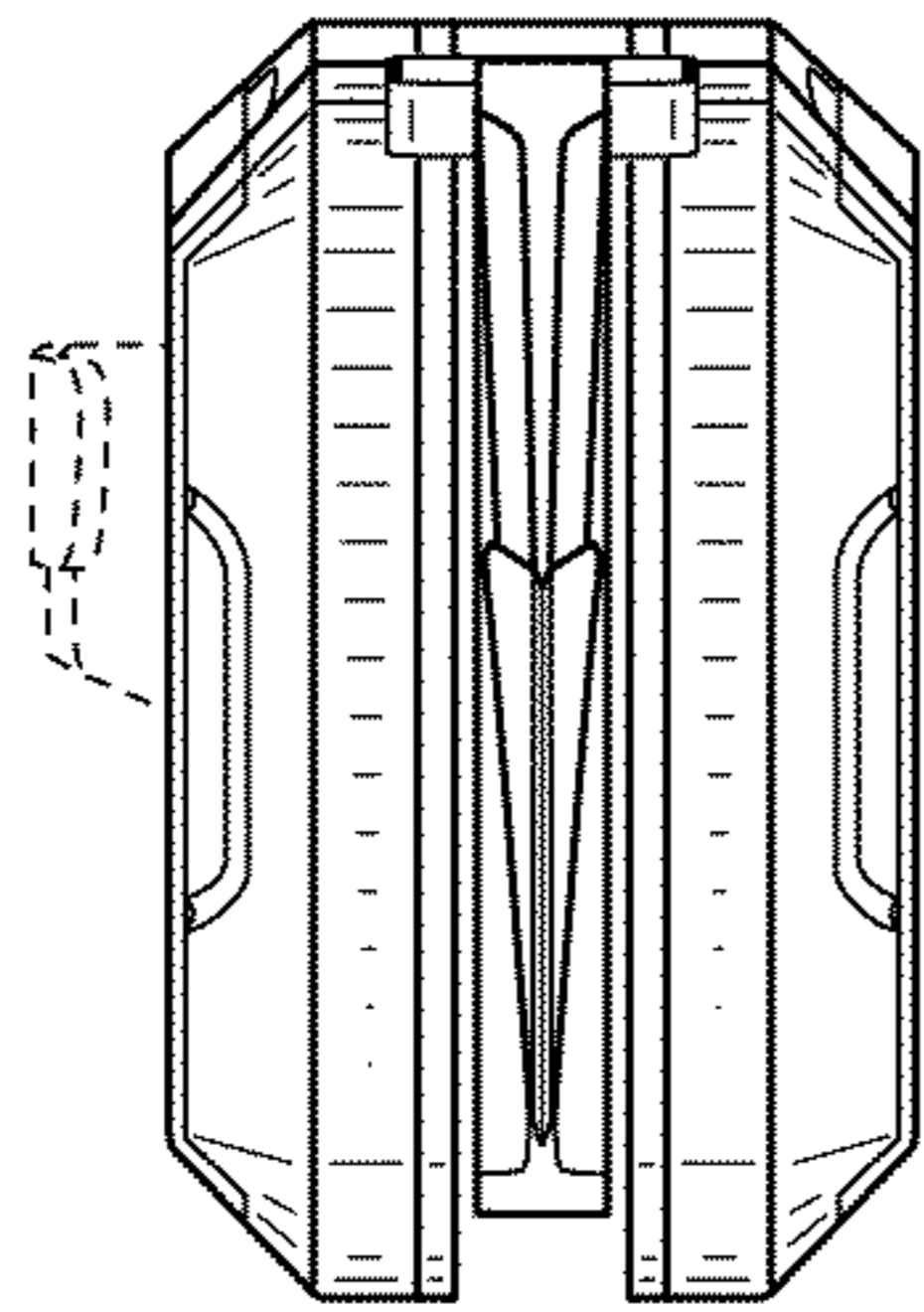
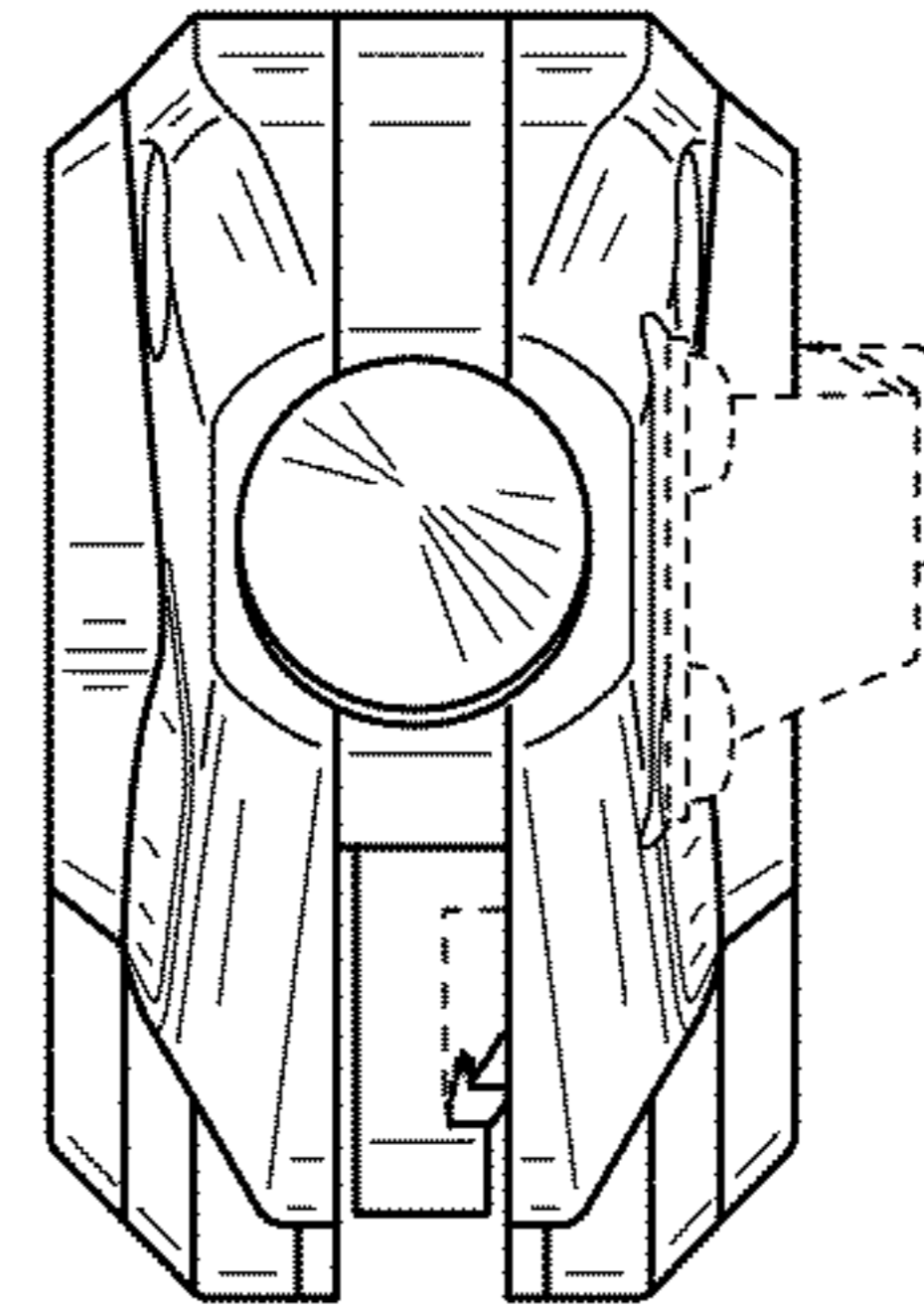


FIG. 5



**FIG. 6**



**FIG. 7**