



US00D737110S

(12) **United States Design Patent**
Schuft

(10) **Patent No.:** **US D737,110 S**
(45) **Date of Patent:** **** Aug. 25, 2015**

(54) **KNIFE**
(71) Applicant: **Fiskars Brands, Inc.**, Madison, WI (US)
(72) Inventor: **Peter Schuft**, Portland, OR (US)
(73) Assignee: **Fiskars Brands, Inc.**, Madison, WI (US)
(**) Term: **14 Years**

D548,036 S * 8/2007 Worlen D8/99
D553,468 S 10/2007 Freeman
D554,964 S * 11/2007 Taylor D8/99
7,302,760 B2 12/2007 Lake
D581,241 S 11/2008 Freeman
D582,243 S 12/2008 Freeman et al.
D582,747 S 12/2008 Freeman et al.
D588,433 S * 3/2009 van Deursen D8/99

(Continued)

(21) Appl. No.: **29/447,905**
(22) Filed: **Mar. 7, 2013**
(51) **LOC (10) Cl.** **08-03**
(52) **U.S. Cl.**
USPC **D8/99**
(58) **Field of Classification Search**
USPC D8/7, 12, 19, 20, 95, 97-100, 105, 107;
D22/118; D7/649, 650, 652; 7/118;
30/155, 158-161, 346, 351-352,
30/355-357
See application file for complete search history.

OTHER PUBLICATIONS

Gerber Cohort Folding Knife. Downloaded from <http://www.cabelas.com/product/Gerber-Cohort-Folding-Knife/1589658.uts> on Aug. 9, 2013.*

(Continued)

Primary Examiner — Philip S Hyder
Assistant Examiner — Roselyne Cody
(74) *Attorney, Agent, or Firm* — Foley & Lardner LLP

(57) **CLAIM**
We claim the ornamental design for a knife, as shown and described.

(56) **References Cited**

U.S. PATENT DOCUMENTS

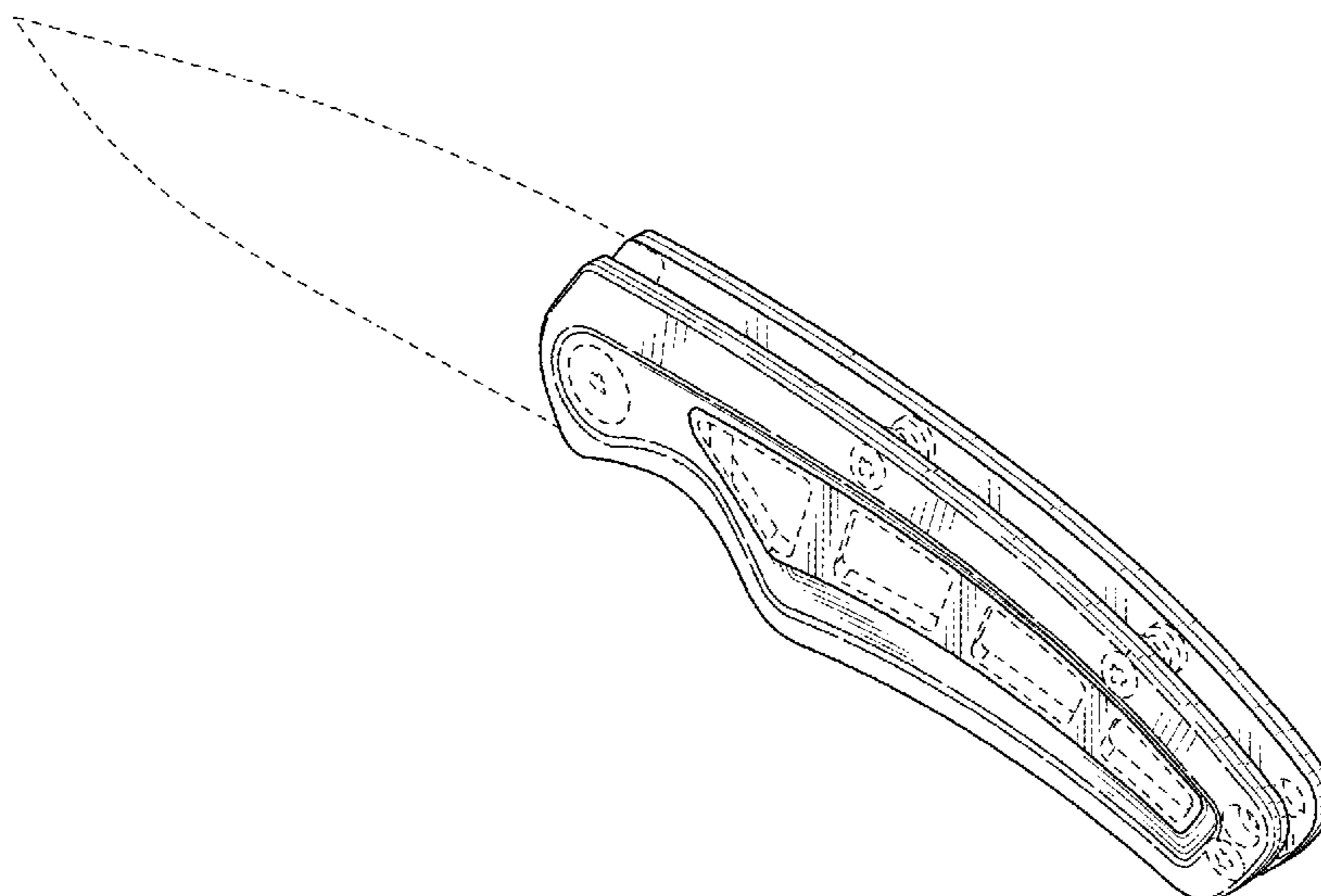
D300,112 S * 3/1989 Osterhout D8/98
4,825,552 A 5/1989 Bendickson et al.
D304,154 S * 10/1989 Osterhout D8/99
D366,408 S 1/1996 Sessions et al.
5,511,310 A 4/1996 Sessions et al.
5,596,808 A 1/1997 Lake et al.
D383,370 S 9/1997 Chen et al.
D410,189 S 5/1999 Wehrs et al.
D413,503 S 9/1999 Dugdale
6,354,007 B1 3/2002 Scarla
6,675,484 B2 * 1/2004 McHenry et al. 30/161
6,688,003 B2 2/2004 Scarla
D494,437 S 8/2004 Scarla
6,915,577 B2 7/2005 Scala
D519,798 S 5/2006 Dallas

DESCRIPTION

FIG. 1 is a front top perspective view of the claimed knife; FIG. 2 is a front view of the claimed design of FIG. 1; FIG. 3 is a rear view of the claimed design of FIG. 1; FIG. 4 is a right side view of the claimed design of FIG. 1; FIG. 5 is a left side view of the claimed design of FIG. 1; FIG. 6 is a top view of the claimed design of FIG. 1; FIG. 7 is a bottom view of the claimed design of FIG. 1; and, FIG. 8 is a rear top perspective view of the claimed design of FIG. 1.

The broken lines in the drawings are for purposes of illustrating unclaimed portions of the design.

1 Claim, 4 Drawing Sheets



(56)

References Cited

U.S. PATENT DOCUMENTS

7,555,839 B2 * 7/2009 Koelewyn 30/160
 D610,646 S 2/2010 Harsey et al.
 D614,933 S 5/2010 Freeman et al.
 7,913,397 B2 * 3/2011 van Deursen 30/154
 D636,051 S 4/2011 Freeman et al.
 D636,052 S 4/2011 Freeman et al.
 D636,053 S 4/2011 Freeman et al.
 D638,904 S 5/2011 Freeman et al.
 D639,632 S 6/2011 Freeman et al.
 D661,367 S 6/2012 Seeds et al.
 D664,823 S * 8/2012 Pringnitz D8/95
 D699,315 S * 2/2014 Seeds et al. D22/118
 2002/0066187 A1 6/2002 Jennings
 2004/0158991 A1 8/2004 Freeman
 2005/0055833 A1 3/2005 Scarla
 2005/0172497 A1 * 8/2005 Linn et al. 30/161

2005/0252010 A1 11/2005 Freeman
 2006/0064877 A1 3/2006 Vallotton et al.
 2006/0080840 A1 4/2006 Freeman
 2011/0010947 A1 1/2011 Freeman
 2012/0304470 A1 12/2012 Freeman

OTHER PUBLICATIONS

Gerber Paraframe I with Plain Blade. Downloaded from <http://www.smkw.com/webapp/eCommerce/products/Gerber/Gerber%C2%AE+Paraframe> . . . on Aug. 7, 2013.*
 U.S. Appl. No. 10/366,647, filed Feb. 13, 2003, Freeman, Jeff.
 U.S. Appl. No. 10/605,934, filed Nov. 6, 2003, Scarla, Robert E.
 U.S. Appl. No. 29/391,770, filed May 12, 2011, Seeds et al.
 U.S. Appl. No. 29/428,036, filed Jul. 25, 2012, Freeman et al.
 U.S. Appl. No. 29/428,262, filed Jul. 27, 2012, Cagampang, Juan.
 U.S. Appl. No. 29/431,026, filed Aug. 31, 2012, Seeds, Darrin.
 U.S. Appl. No. 29/432,846, filed Sep. 21, 2012, Kyle et al.

* cited by examiner

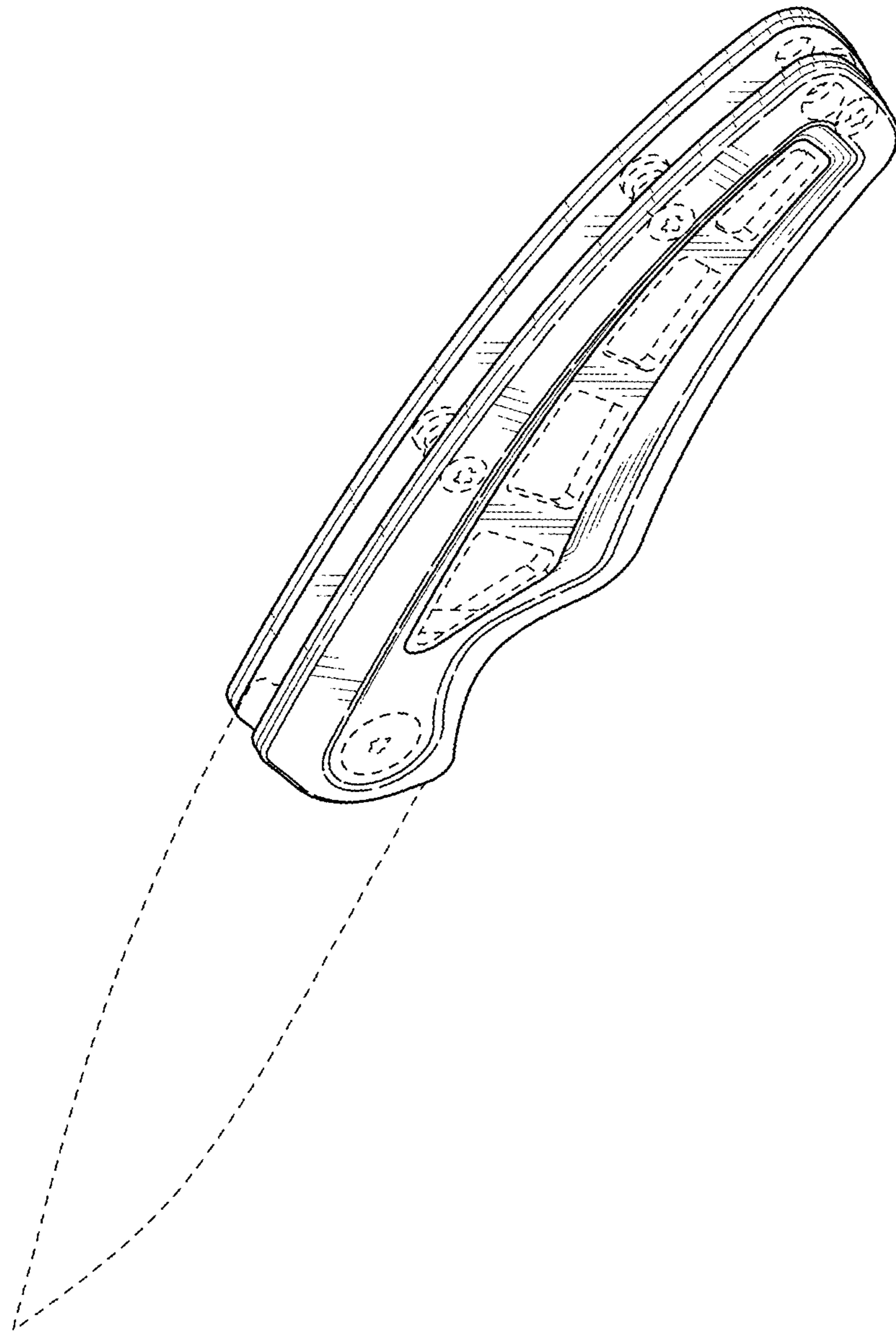


FIG. 1

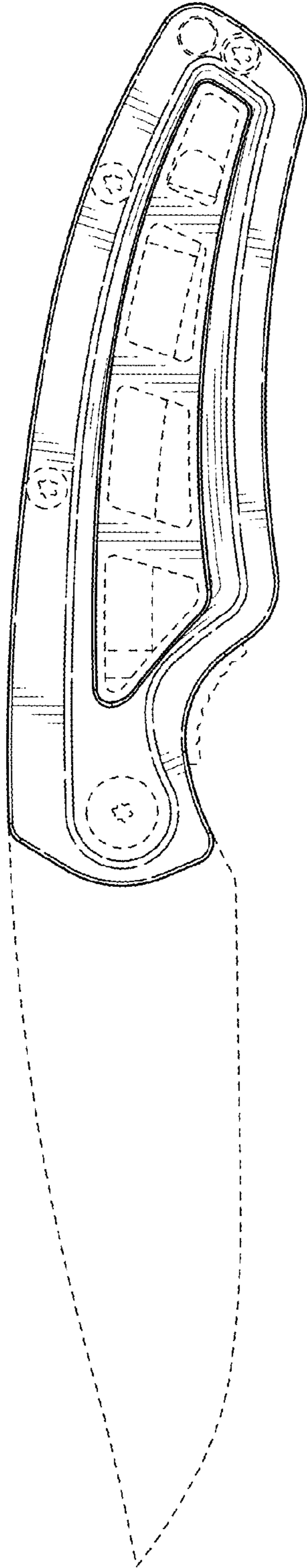


FIG. 2

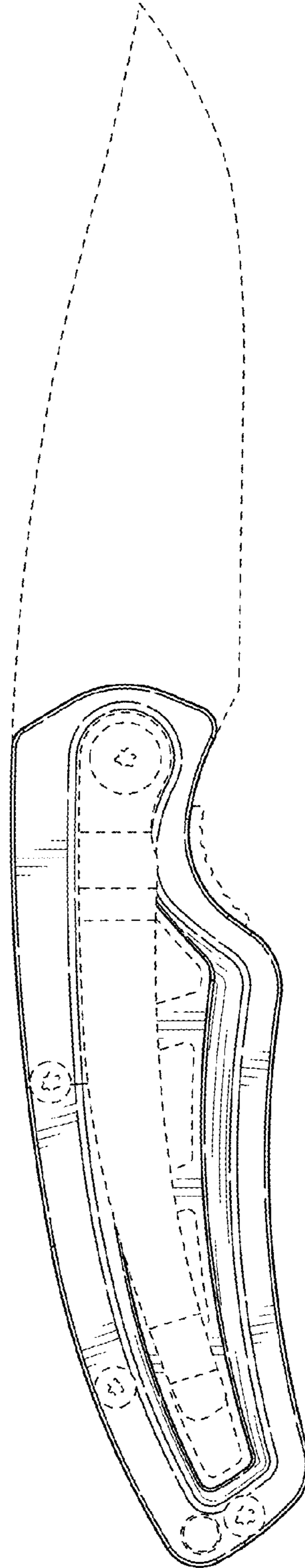


FIG. 3

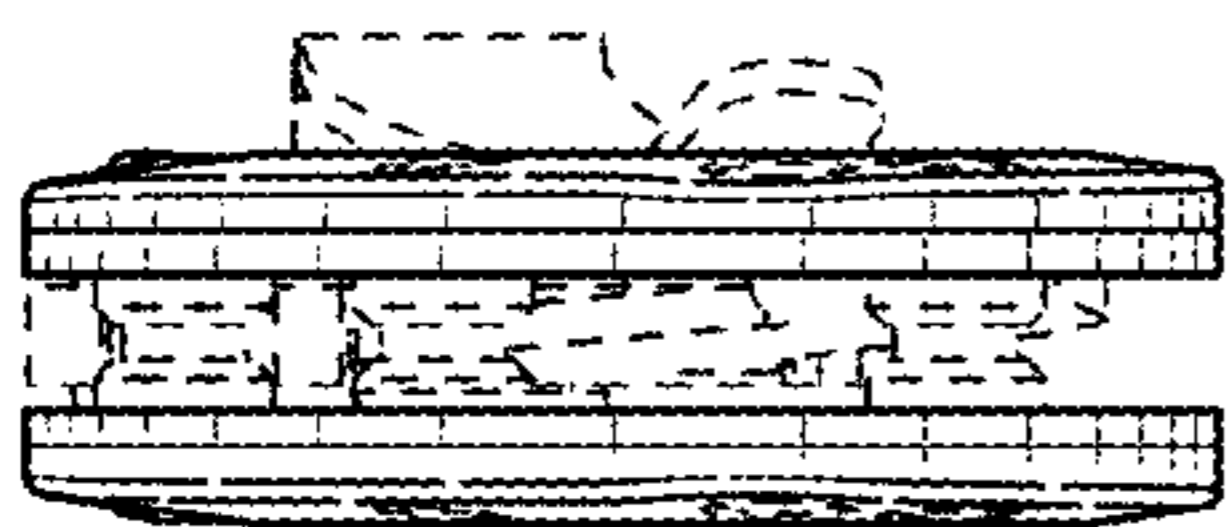


FIG. 4

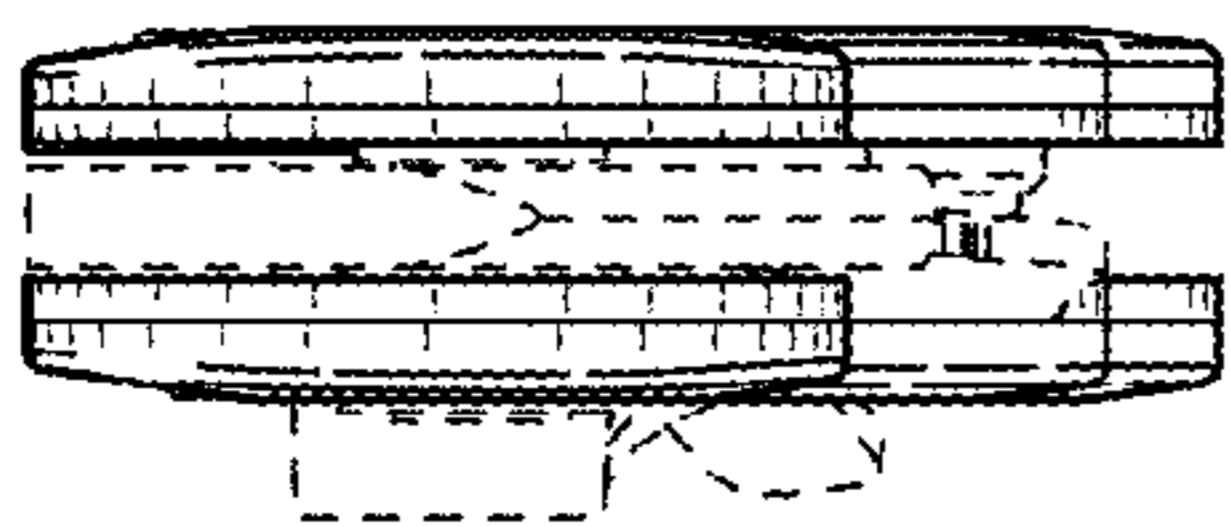


FIG. 5

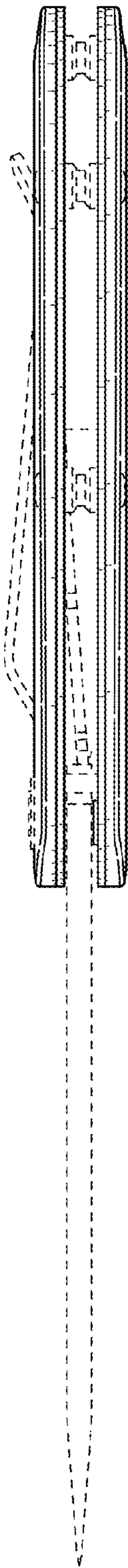


FIG. 6

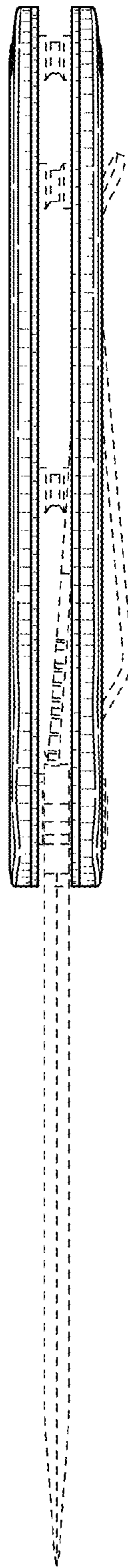


FIG. 7

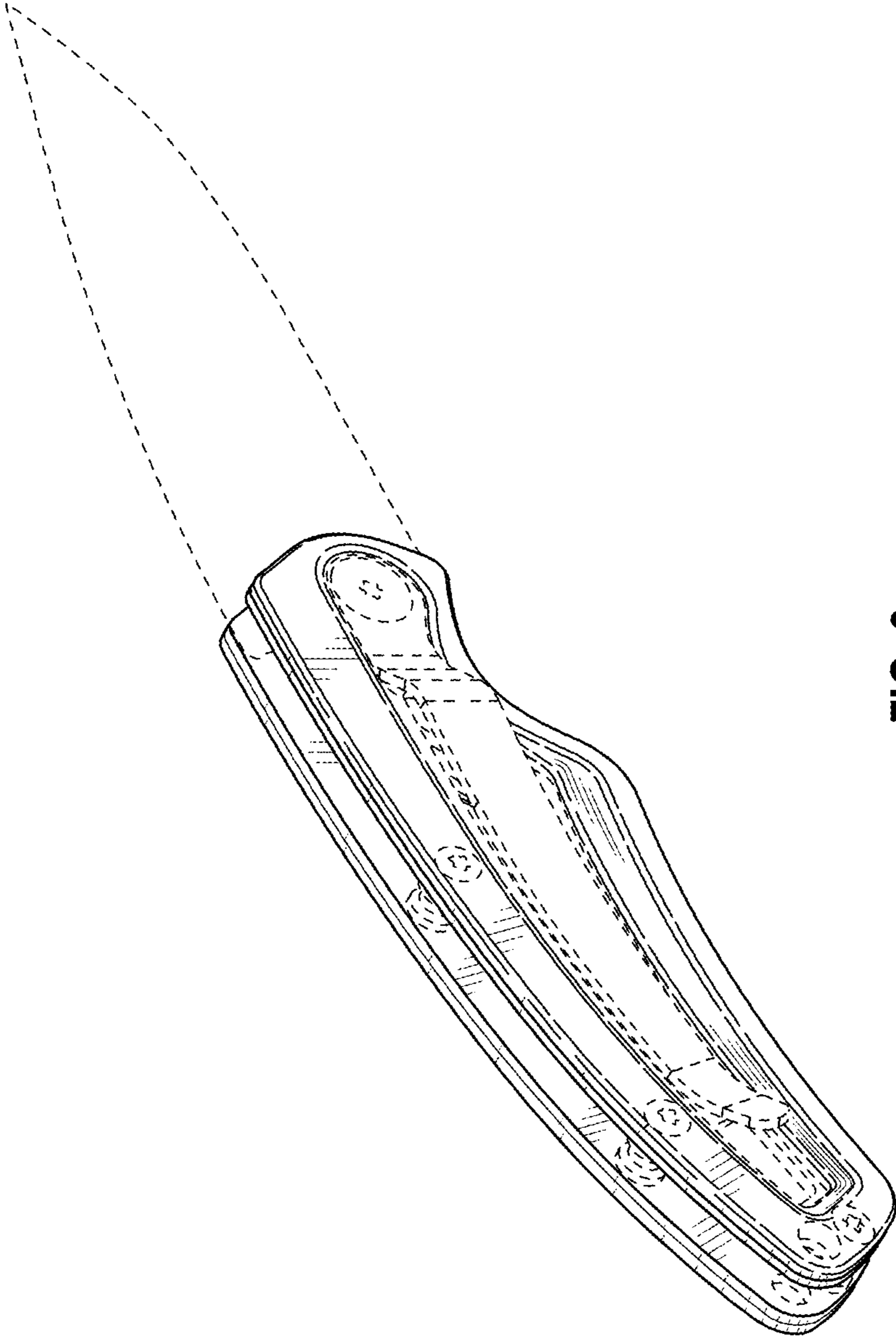


FIG. 8