



US00D737109S

(12) **United States Design Patent**
Gargallo et al.

(10) **Patent No.:** **US D737,109 S**

(45) **Date of Patent:** **** Aug. 25, 2015**

(54) **CUTTER**

(71) Applicant: **GERMANS BOADA, S.A.**, Barcelona
(ES)

(72) Inventors: **Alex Roselló Gargallo**, Barcelona (ES);
Carles Gamisans Berenguer, Barcelona
(ES)

(73) Assignee: **GERMANS BOADA, S.A.**, Barcelona
(ES)

(**) Term: **14 Years**

(21) Appl. No.: **29/485,514**

(22) Filed: **Mar. 19, 2014**

(30) **Foreign Application Priority Data**

Sep. 19, 2013 (EM) 002312314-0001
Nov. 14, 2013 (EM) 002345397-001

(51) **LOC (10) Cl.** **08-03**

(52) **U.S. Cl.**
USPC **D8/98; D8/51**

(58) **Field of Classification Search**
USPC D8/14, 51, 98
CPC . Y10T 225/307; Y10T 225/325; B28D 1/225
See application file for complete search history.

(56) **References Cited**

U.S. PATENT DOCUMENTS

3,613,243	A *	10/1971	Baker	30/314
4,026,262	A *	5/1977	Yasuga	125/23.02
D291,578	S *	8/1987	Hepworth	D15/127
5,480,081	A *	1/1996	Wilson et al.	225/96.5
D379,913	S *	6/1997	Prosser	D8/98
6,223,736	B1 *	5/2001	Yasuga	125/23.02
6,240,914	B1 *	6/2001	Yasuga	125/23.02
6,708,686	B2 *	3/2004	Hepworth	125/23.02
6,935,544	B2 *	8/2005	Torrents I Comas	225/96.5
6,953,036	B2 *	10/2005	Ishii	125/23.02
D533,426	S *	12/2006	Torrents Comas	D8/98
D541,127	S *	4/2007	Yang	D8/98
7,434,576	B2 *	10/2008	Hwang	125/23.02

* cited by examiner

Primary Examiner — Phillip S Hyder

(74) *Attorney, Agent, or Firm* — Baker and Rannells, PA

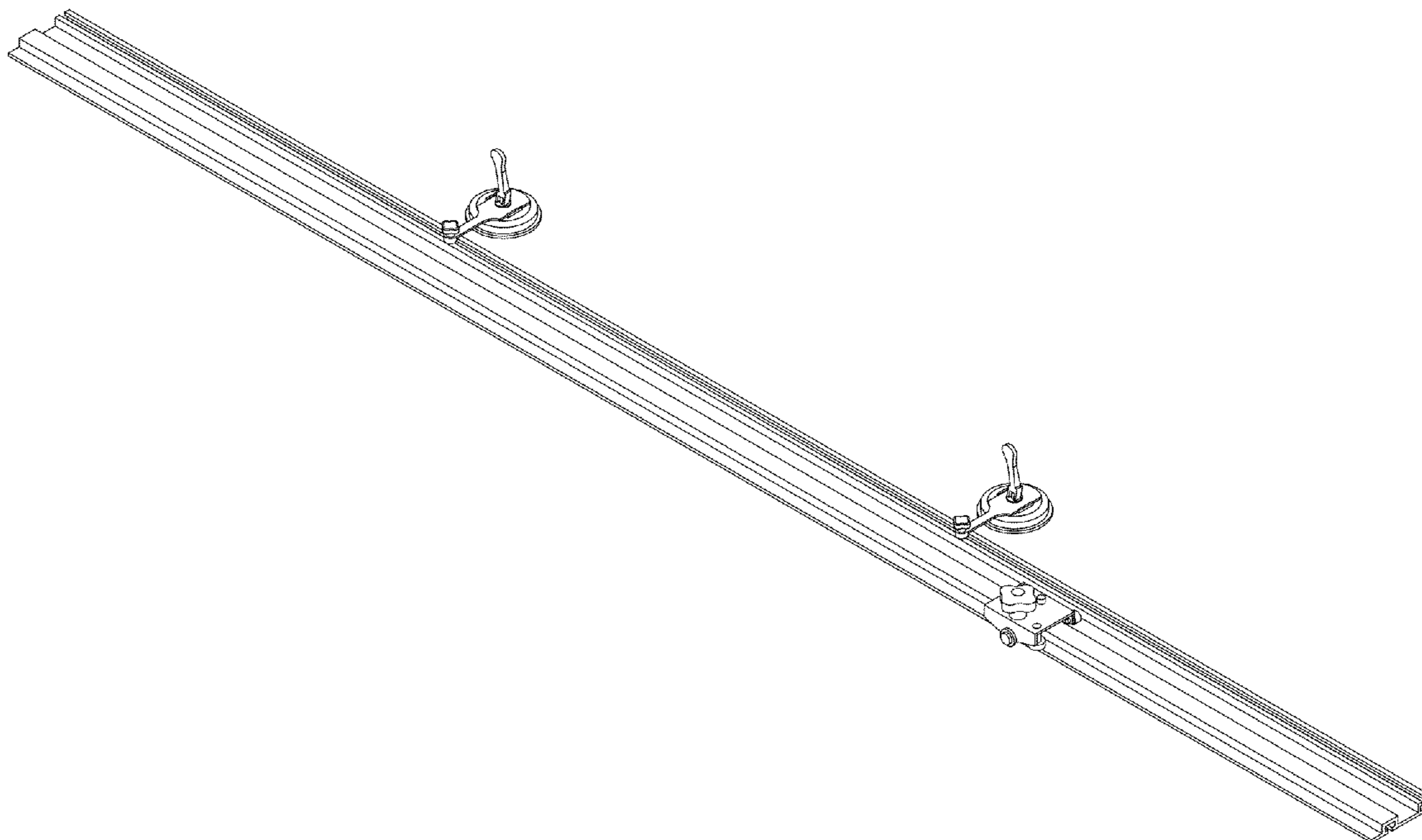
(57) **CLAIM**

The ornamental design for cutter, as shown and described.

DESCRIPTION

FIG. 1 is a front perspective view of an embodiment of cutter in accordance with the new design;
FIG. 2 is a front view thereof;
FIG. 3 is a rear view thereof;
FIG. 4 is a right side view thereof;
FIG. 5 is a left side view thereof;
FIG. 6 is a top view thereof; and,
FIG. 7 is a bottom view thereof.

1 Claim, 4 Drawing Sheets



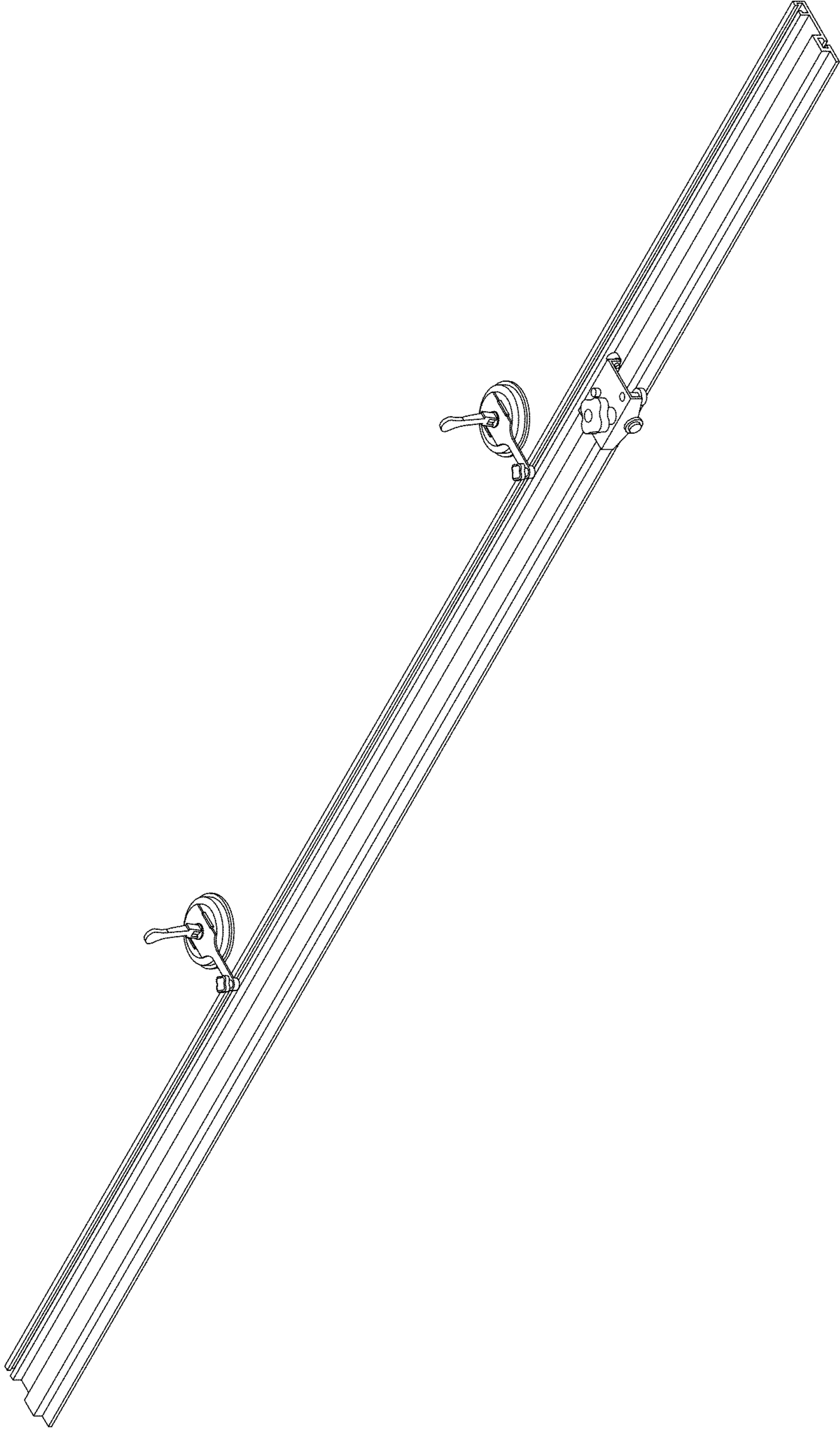


Fig. 1



Fig. 2



Fig. 3

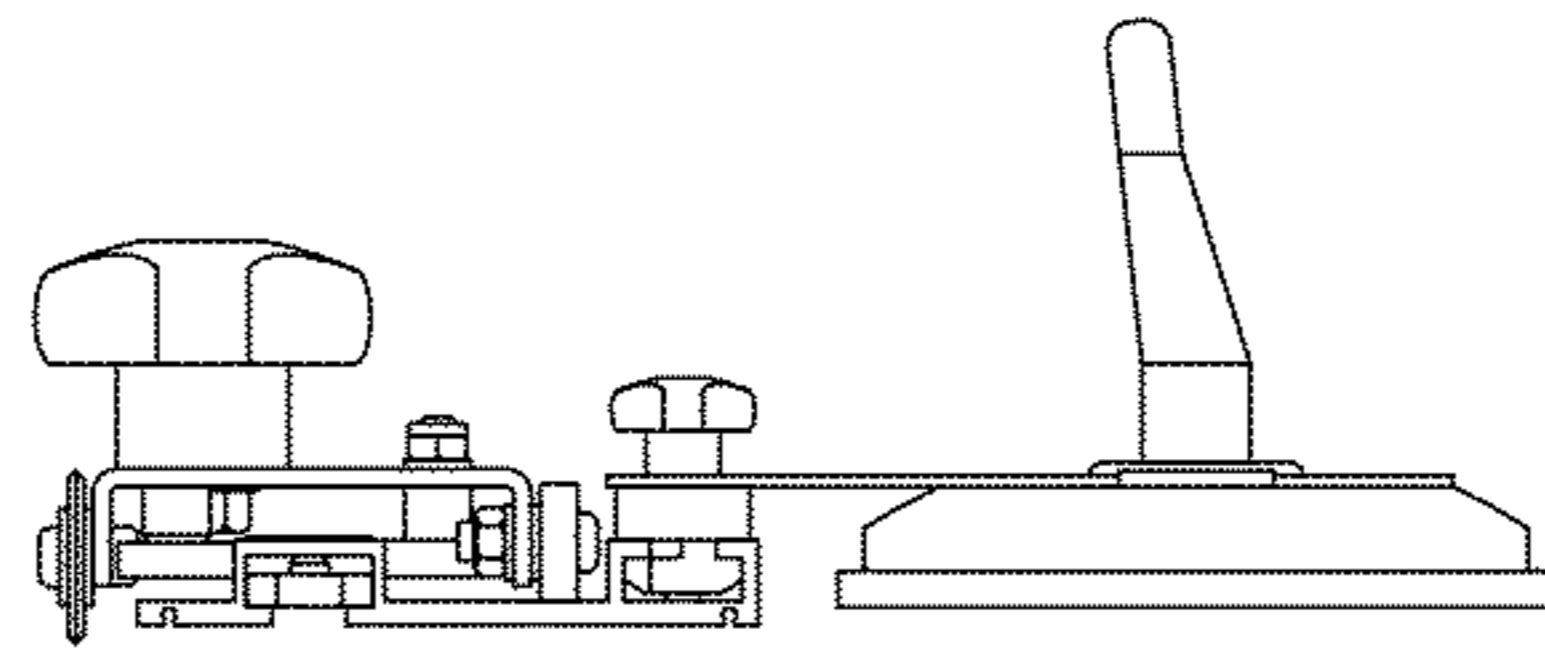


Fig. 4

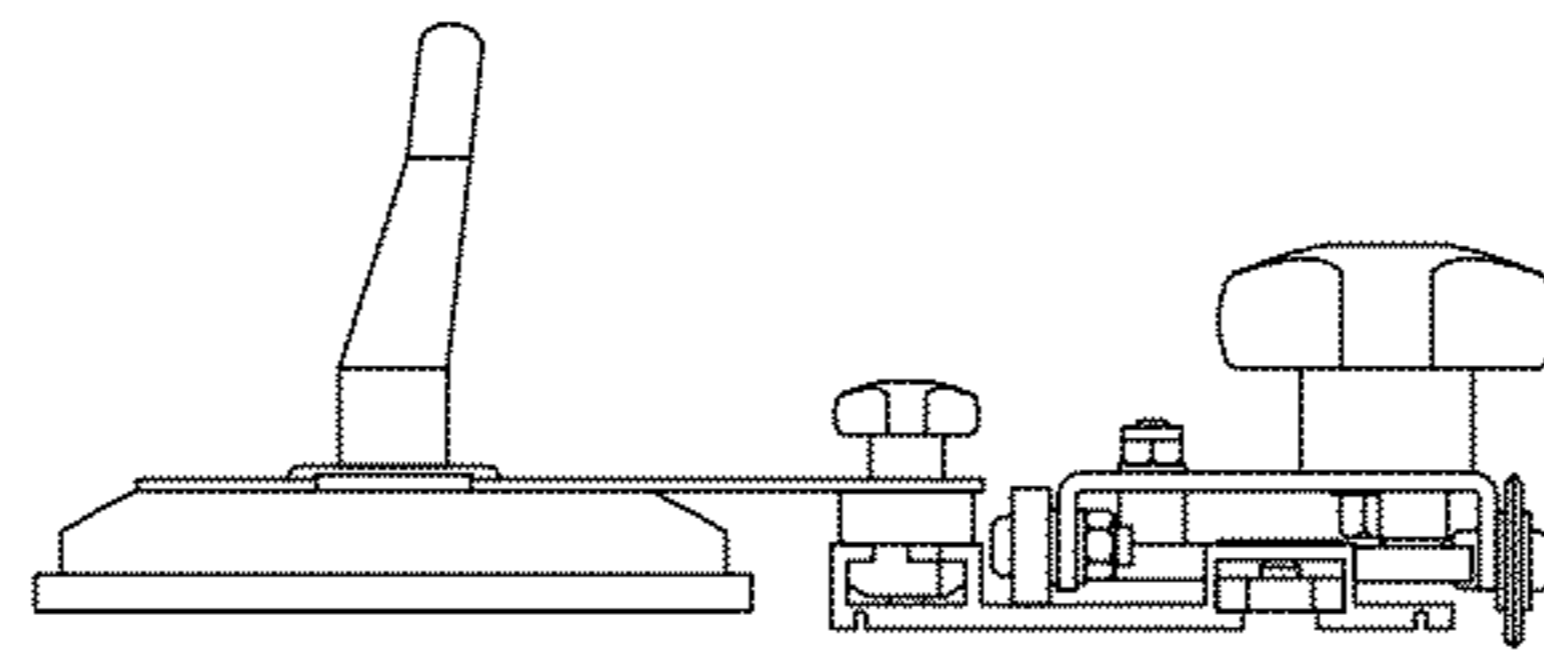


Fig. 5

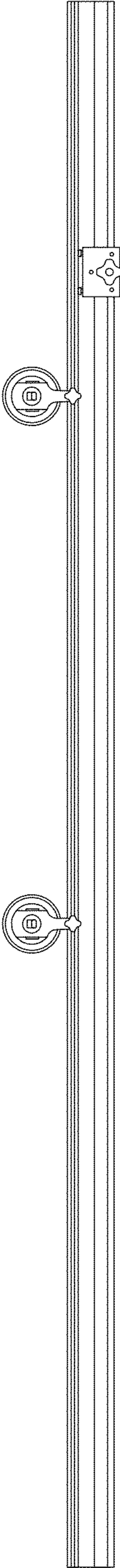


Fig. 6

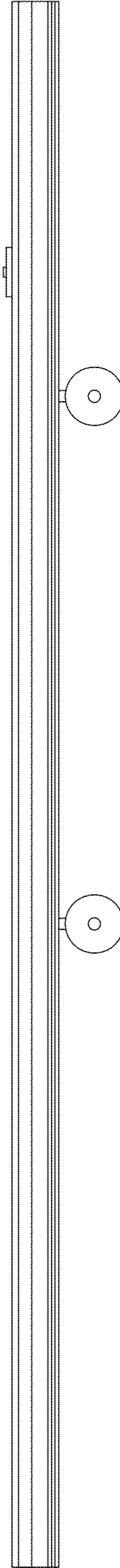


Fig. 7