



US00D737106S

(12) **United States Design Patent**  
**Goodman**

(10) **Patent No.:** **US D737,106 S**

(45) **Date of Patent:** **\*\* \*Aug. 25, 2015**

(54) **CANDLE RECEIVING CAKE COVERING**

(71) Applicant: **Sharon A. Goodman**, Springfield, MA  
(US)

(72) Inventor: **Sharon A. Goodman**, Springfield, MA  
(US)

(\* ) Notice: This patent is subject to a terminal disclaimer.

(\*\*) Term: **14 Years**

(21) Appl. No.: **29/441,882**

(22) Filed: **Jan. 10, 2013**

(51) **LOC (10) Cl.** ..... **07-06**

(52) **U.S. Cl.**  
USPC ..... **D7/610**

(58) **Field of Classification Search**

USPC ..... D7/610, 601, 602, 629, 609, 611, 500;  
D26/9, 10, 12; 220/200, 480, 212;  
229/902, 906; 428/7, 13; 312/280, 284;  
431/288, 291, 293, 295, 296, 297  
CPC ... A47G 19/26; F21V 35/00; F21W 2121/004  
See application file for complete search history.

(56) **References Cited**

**U.S. PATENT DOCUMENTS**

1,511,004 A 10/1924 Pooch et al.  
2,585,180 A 2/1952 Smith

|                 |         |              |               |
|-----------------|---------|--------------|---------------|
| 3,736,214 A     | 5/1973  | Mc Birnie    |               |
| 3,819,455 A *   | 6/1974  | MacKendrick  | ..... 428/7   |
| 4,721,455 A     | 1/1988  | Barfus       |               |
| 4,884,966 A *   | 12/1989 | Wexler       | ..... 431/295 |
| 4,938,688 A *   | 7/1990  | Wexler       | ..... 431/295 |
| D446,083 S *    | 8/2001  | Marsh et al. | ..... D7/610  |
| D523,704 S *    | 6/2006  | DiBiasi      | ..... D7/610  |
| D627,190 S      | 11/2010 | Fain         |               |
| D627,191 S      | 11/2010 | Fain         |               |
| 2009/0053663 A1 | 2/2009  | Okros        |               |

\* cited by examiner

*Primary Examiner* — Terry Wallace

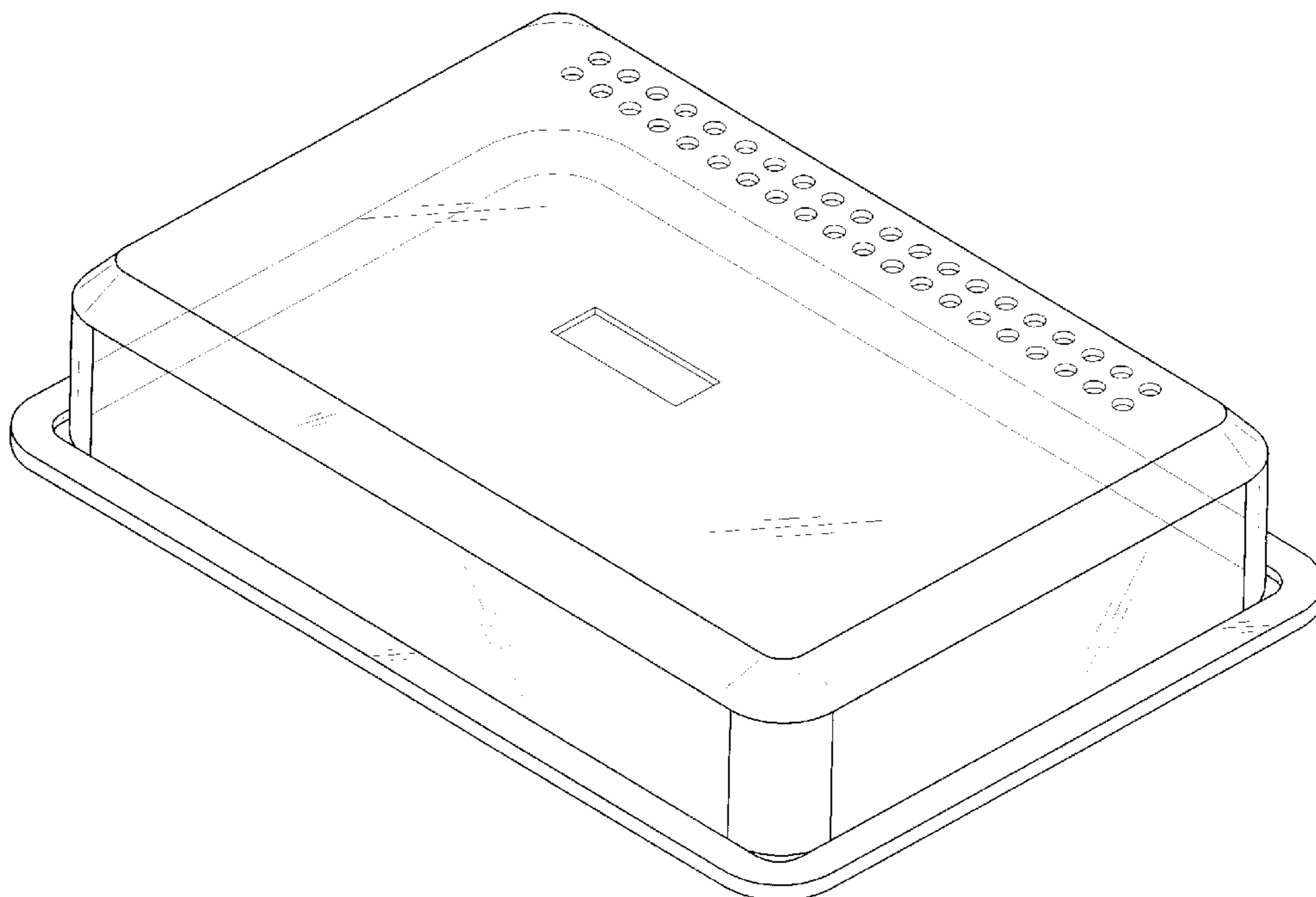
(57) **CLAIM**

The ornamental design for a candle receiving cake covering, as shown and described.

**DESCRIPTION**

FIG. 1 is a top view of a candle receiving cake covering showing my new design;  
FIG. 2 is a bottom elevated of the candle receiving cake covering;  
FIG. 3 is a right side view of the candle receiving cake covering, a left side view being a mirror image thereof;  
FIG. 4 is a front view of the candle receiving cake covering, a rear view being a mirror image thereof; and,  
FIG. 5 is a top perspective of the candle receiving cake covering.

**1 Claim, 5 Drawing Sheets**



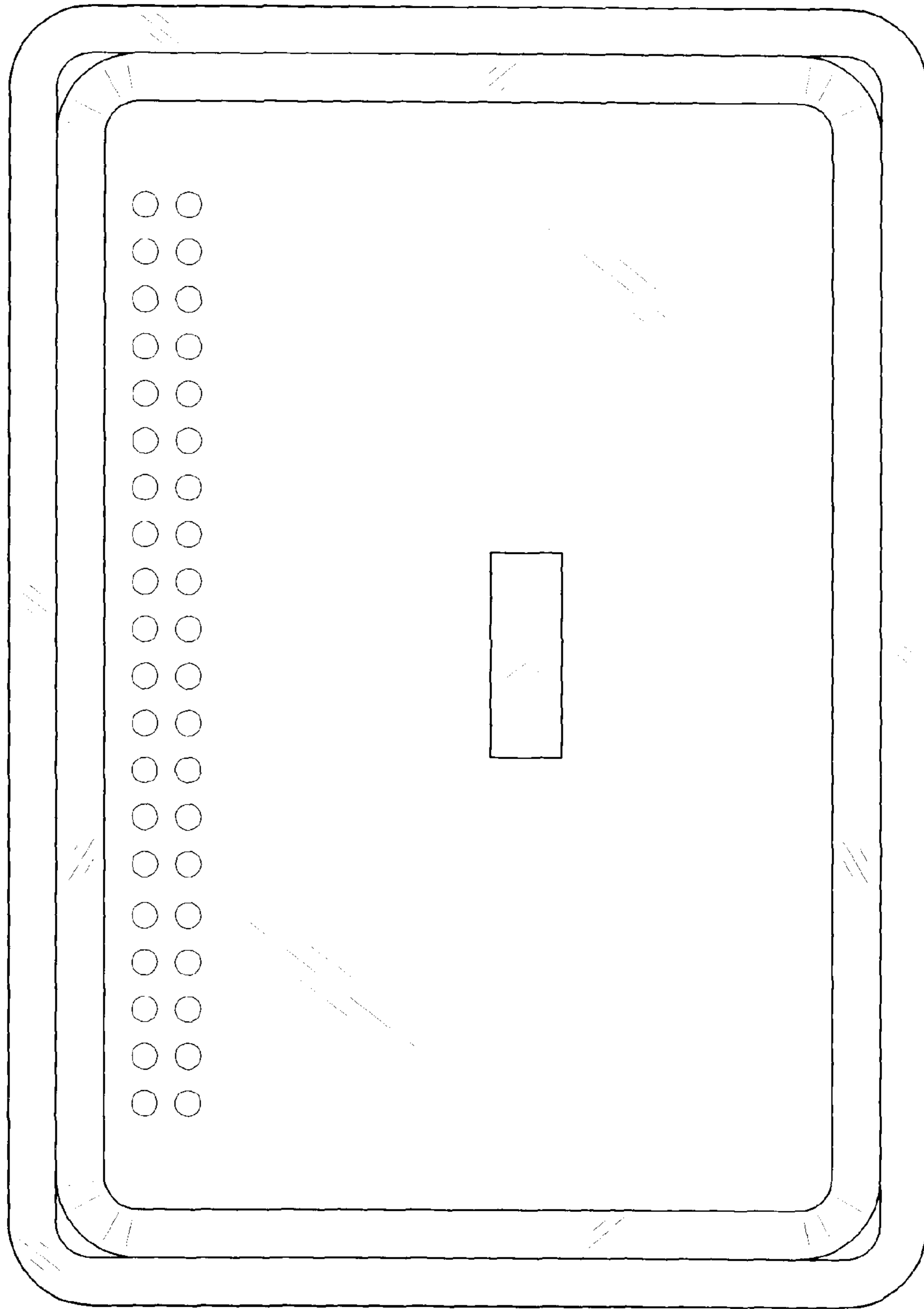


FIG. 1

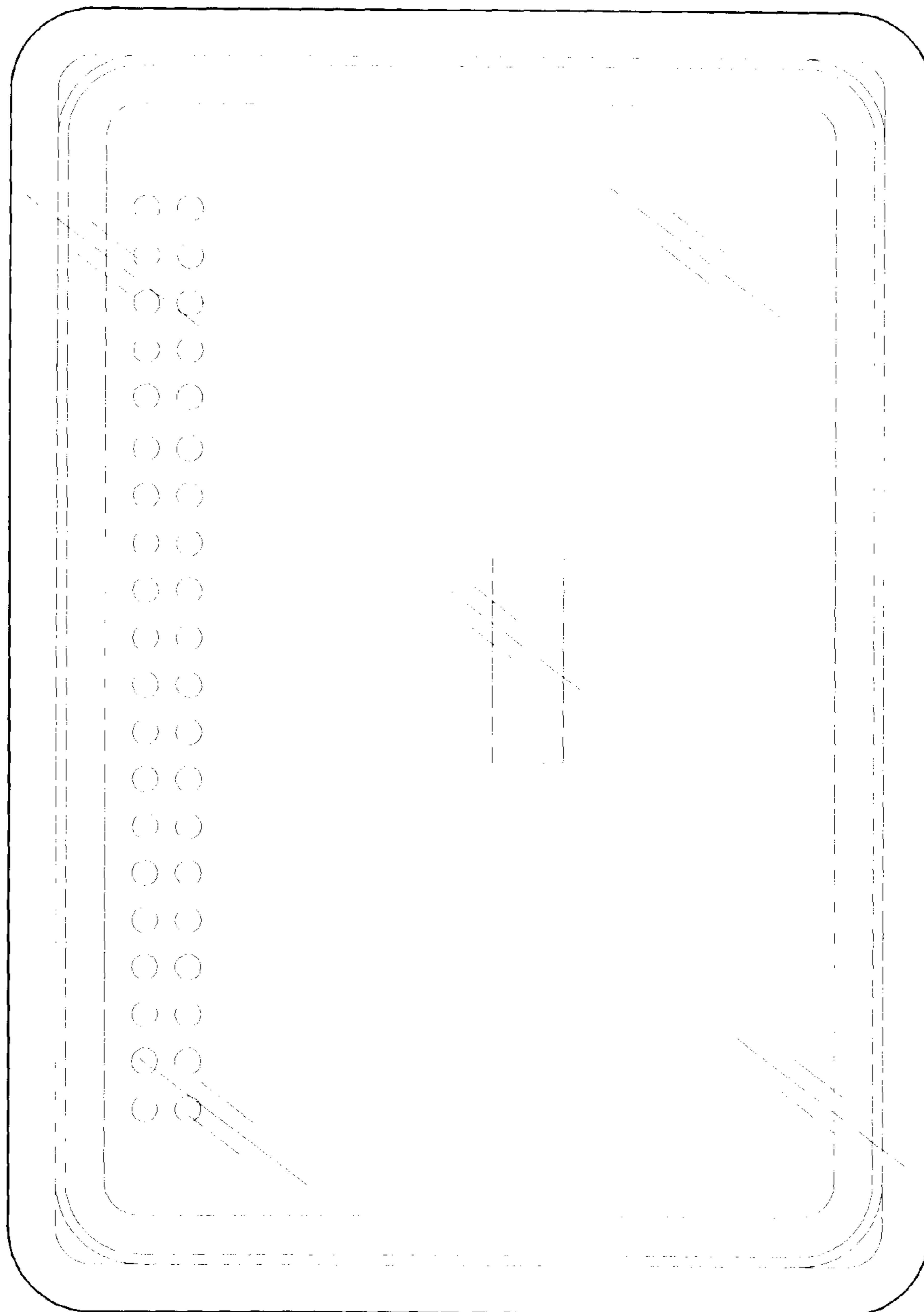


FIG. 2

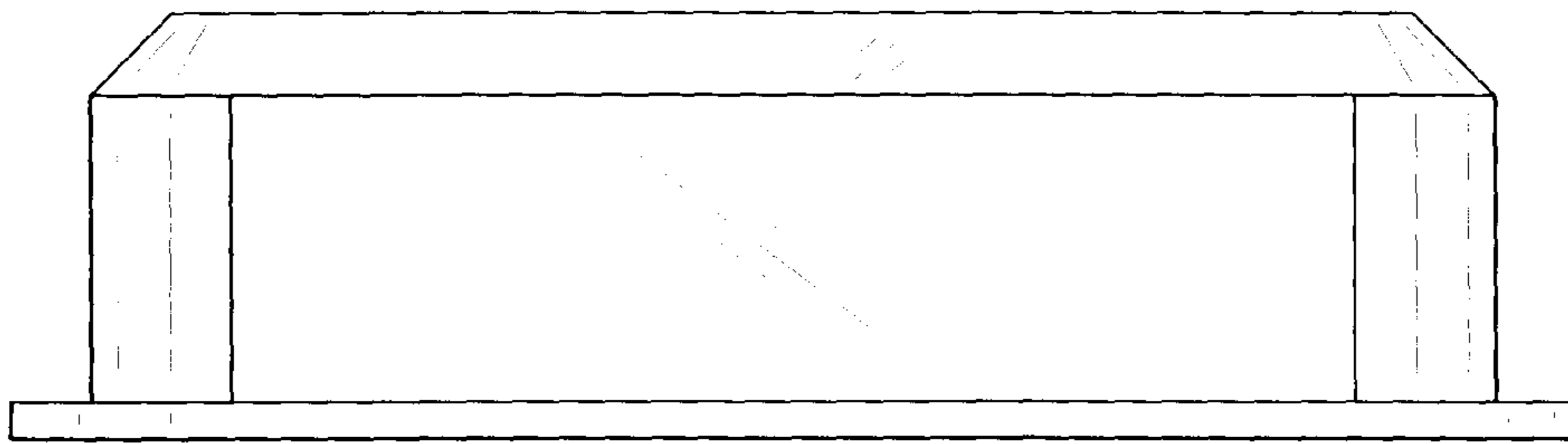


FIG. 3

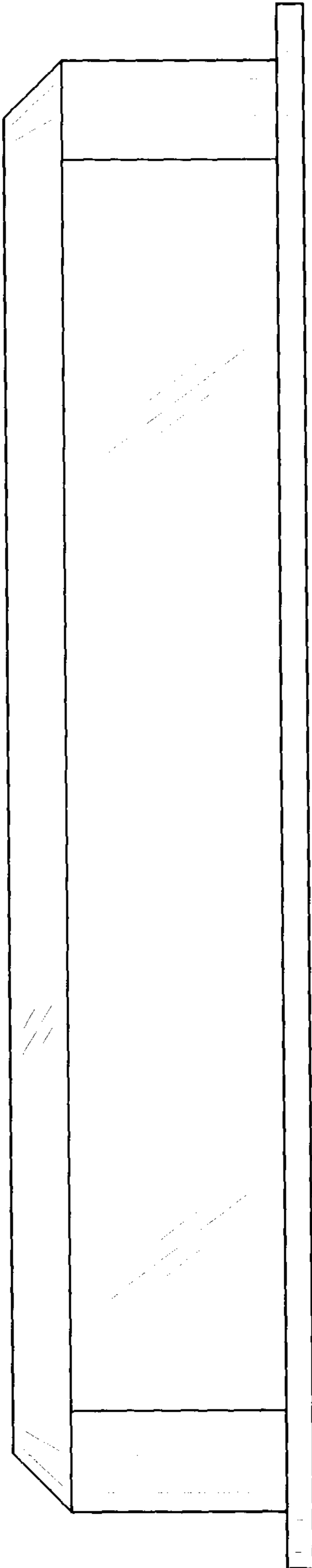


FIG. 4

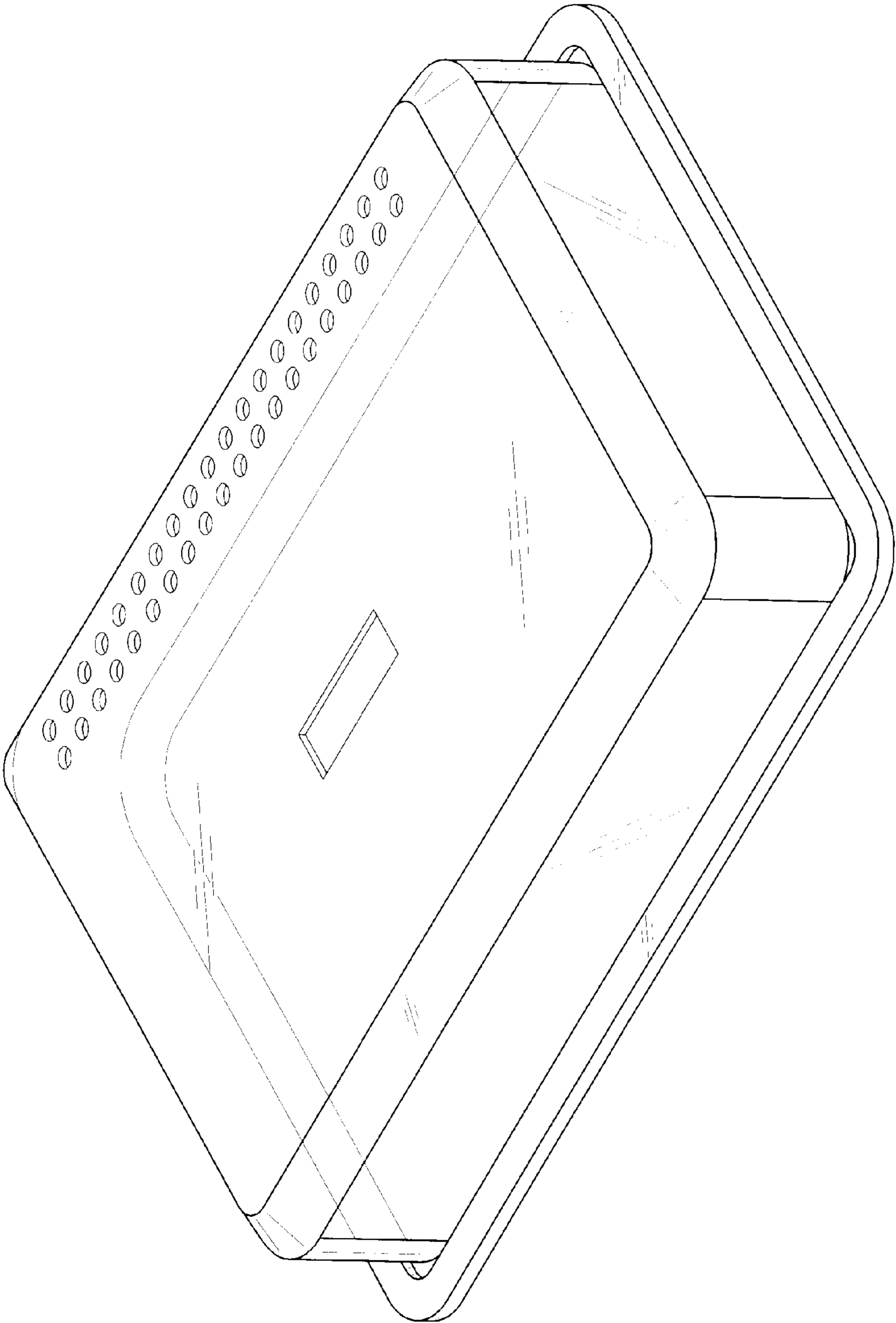


FIG. 5