

US00D737104S

(12) **United States Design Patent**
Sobotka

(10) **Patent No.:** **US D737,104 S**
(45) **Date of Patent:** **** Aug. 25, 2015**

(54) **DRINK TRAY**

(74) *Attorney, Agent, or Firm* — Kagan Binder, PLLC

(71) Applicant: **FSTS Management Group Inc.**,
Mississauga (CA)

(57) **CLAIM**
The ornamental design for drink tray, as shown and described.

(72) Inventor: **Jozef Sobotka**, Mississauga (CA)

DESCRIPTION

(73) Assignee: **FSTS Management Group Inc.**,
Mississauga, Ontario (CA)

FIG. 1 is a top perspective view of a first embodiment of a drink tray of the present design;
FIG. 2 is a bottom perspective view of the drink tray of FIG. 1;

(**) Term: **14 Years**

FIG. 3 is a top plan view of the drink tray of FIG. 1;
FIG. 4 is a bottom plan view of the drink tray of FIG. 1;

(21) Appl. No.: **29/446,226**

FIG. 5 is a left side view of the drink tray of FIG. 1;

(22) Filed: **Feb. 21, 2013**

FIG. 6 is a right side view of the drink tray of FIG. 1;

(30) **Foreign Application Priority Data**

FIG. 7 is a top perspective view showing the placement of five drink containers in the holes in the drink tray of FIG. 1;

Aug. 24, 2012 (CA) 147129

FIG. 8 is a top perspective view of a second embodiment of a drink tray of the present design;

(51) **LOC (10) Cl.** **07-01**

FIG. 9 is a bottom perspective view of the drink tray of FIG. 8;

(52) **U.S. Cl.**
USPC **D7/554.2**

FIG. 10 is a top plan view of the drink tray of FIG. 8;

(58) **Field of Classification Search**
USPC D7/624.1, 500, 505, 505.5, 550.1,
D7/553.1, 554.2, 553.6–553.8, 357;
D21/475; 446/90; 206/561–564

FIG. 11 is a bottom plan view of the drink tray of FIG. 8;

CPC B65D 21/00; B65D 21/0204

FIG. 12 is a left side view of the drink tray of FIG. 8;

See application file for complete search history.

FIG. 13 is a right side view of the drink tray of FIG. 8;

(56) **References Cited**

FIG. 14 is a top perspective view showing the placement of seven drink containers in the holes in the drink tray of FIG. 8;

U.S. PATENT DOCUMENTS

1,438,681 A * 12/1922 Bath 33/555.2
D105,687 S * 8/1937 Bode D7/702

FIG. 15 is a top perspective view of a third embodiment of a drink tray of the present design;

(Continued)

FIG. 16 is a bottom perspective view of the drink tray of FIG. 15;

OTHER PUBLICATIONS

3dpromotion, “Heineken—Tray Frisbee for Beer Cups”, Aug. 15, 2010, available at <http://3dpromotion.wordpress.com/tag/tray/>.

FIG. 17 is a top plan view of the drink tray of FIG. 15;

FIG. 18 is a bottom plan view of the drink tray of FIG. 15;

FIG. 19 is a left side view of the drink tray of FIG. 15;

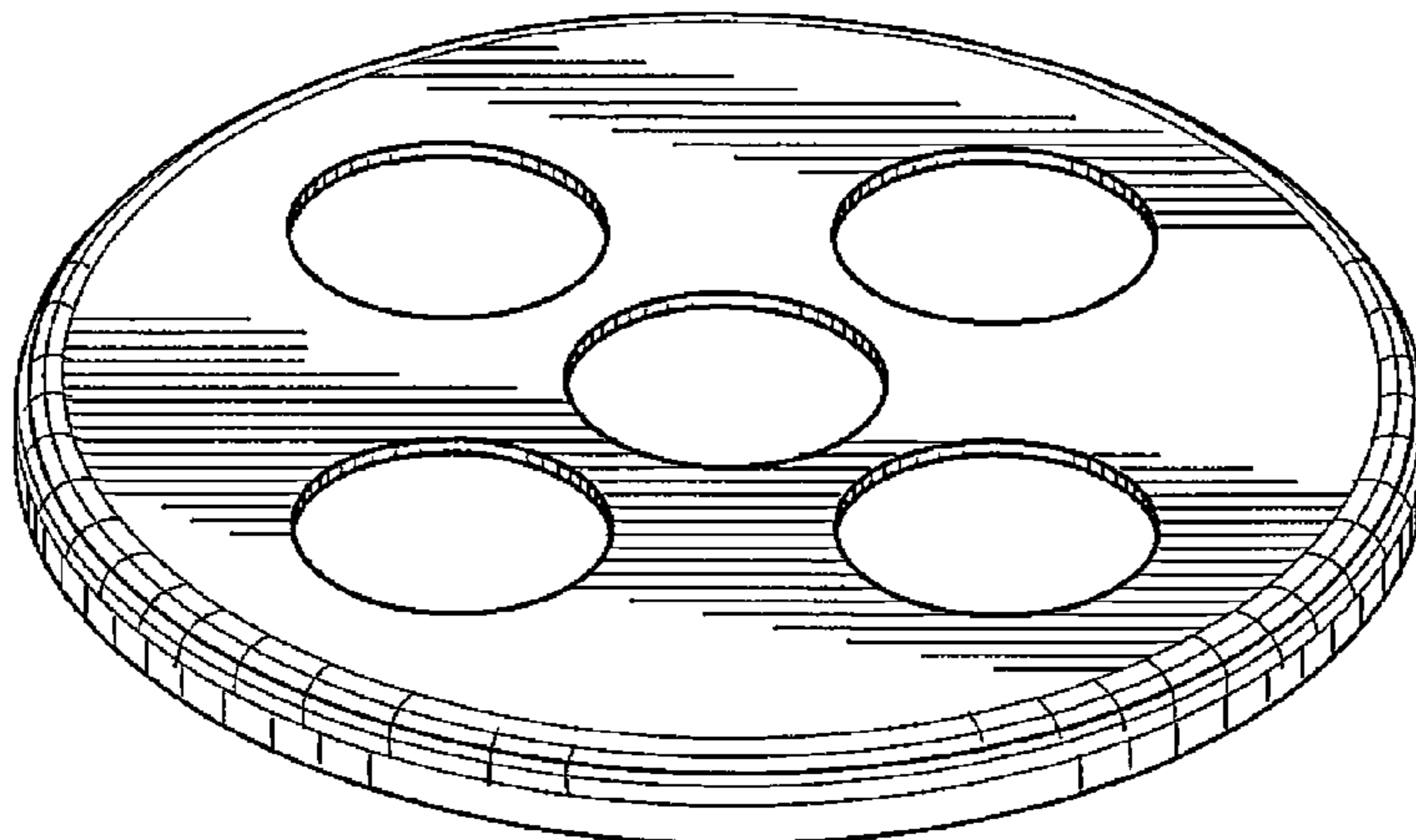
FIG. 20 is a right side view of the drink tray of FIG. 15; and,

FIG. 21 is a top perspective view showing the placement of six drink containers in the holes in the drink tray of FIG. 15.

The broken line illustrations of drink containers in FIGS. 7, 14, and 21 are for the purpose of illustrating environmental structure and form no part of the claimed design.

Primary Examiner — Kelley Donnelly

1 Claim, 9 Drawing Sheets



(56)

References Cited

U.S. PATENT DOCUMENTS

2,531,562	A *	11/1950	Eve	47/80	D513,596	S *	1/2006	Hamblin et al.	D9/756
2,844,258	A *	7/1958	Faber	211/14	D528,865	S *	9/2006	Barton	D7/554.2
3,908,877	A *	9/1975	Kosisky	294/143	D529,764	S *	10/2006	Schalk et al.	D7/553.6
D268,558	S *	4/1983	Young	D7/703	D542,600	S *	5/2007	James	D7/553.6
D290,674	S *	7/1987	Valov	D7/624.1	D566,474	S *	4/2008	Ray	D7/554.1
D292,161	S *	10/1987	Spolter et al.	D7/553.6	D571,623	S *	6/2008	Loving	D7/707
5,188,501	A *	2/1993	Tomita et al.	414/416.08	D576,838	S *	9/2008	Wong	D7/501
D385,158	S *	10/1997	Rausch	D7/608	D597,261	S *	7/2009	Dye et al.	D30/123
D393,775	S *	4/1998	Otero	D7/553.6	D603,658	S *	11/2009	Burns et al.	D7/624.1
D460,365	S *	7/2002	Bloom	D10/64	D651,048	S *	12/2011	Gold	D7/553.6
6,491,179	B2 *	12/2002	Dokun	220/560	8,246,190	B2 *	8/2012	Boiteau et al.	362/154
D469,659	S *	2/2003	Gale	D7/553.6	D671,380	S *	11/2012	Momeny	D7/701
6,640,991	B1 *	11/2003	Amanat et al.	220/574	8,544,390	B1 *	10/2013	Bahnsen	108/94
					D708,062	S *	7/2014	Musi Navarro	D9/455
					D731,249	S *	6/2015	Keeth	D7/554.2

* cited by examiner

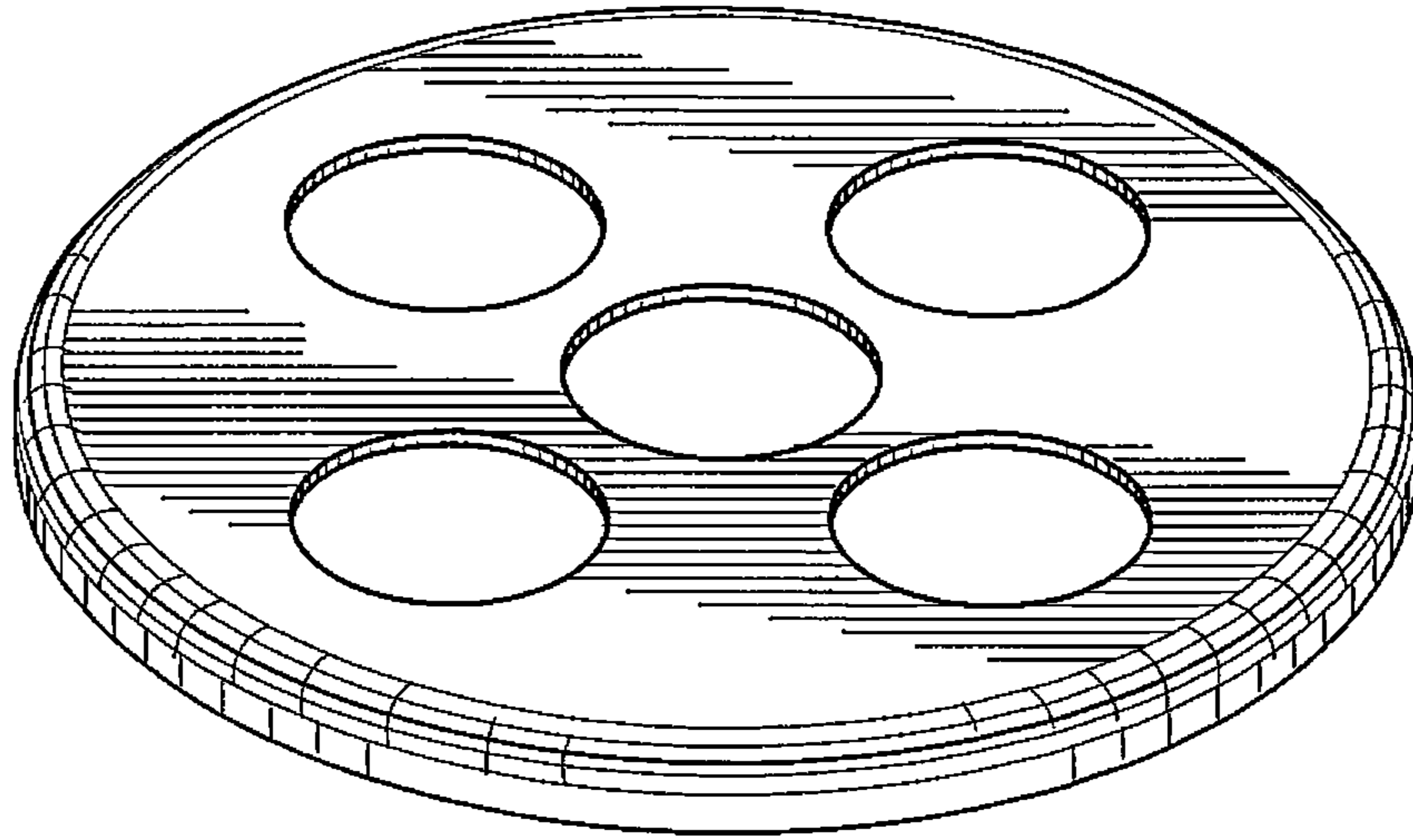


FIG. 1

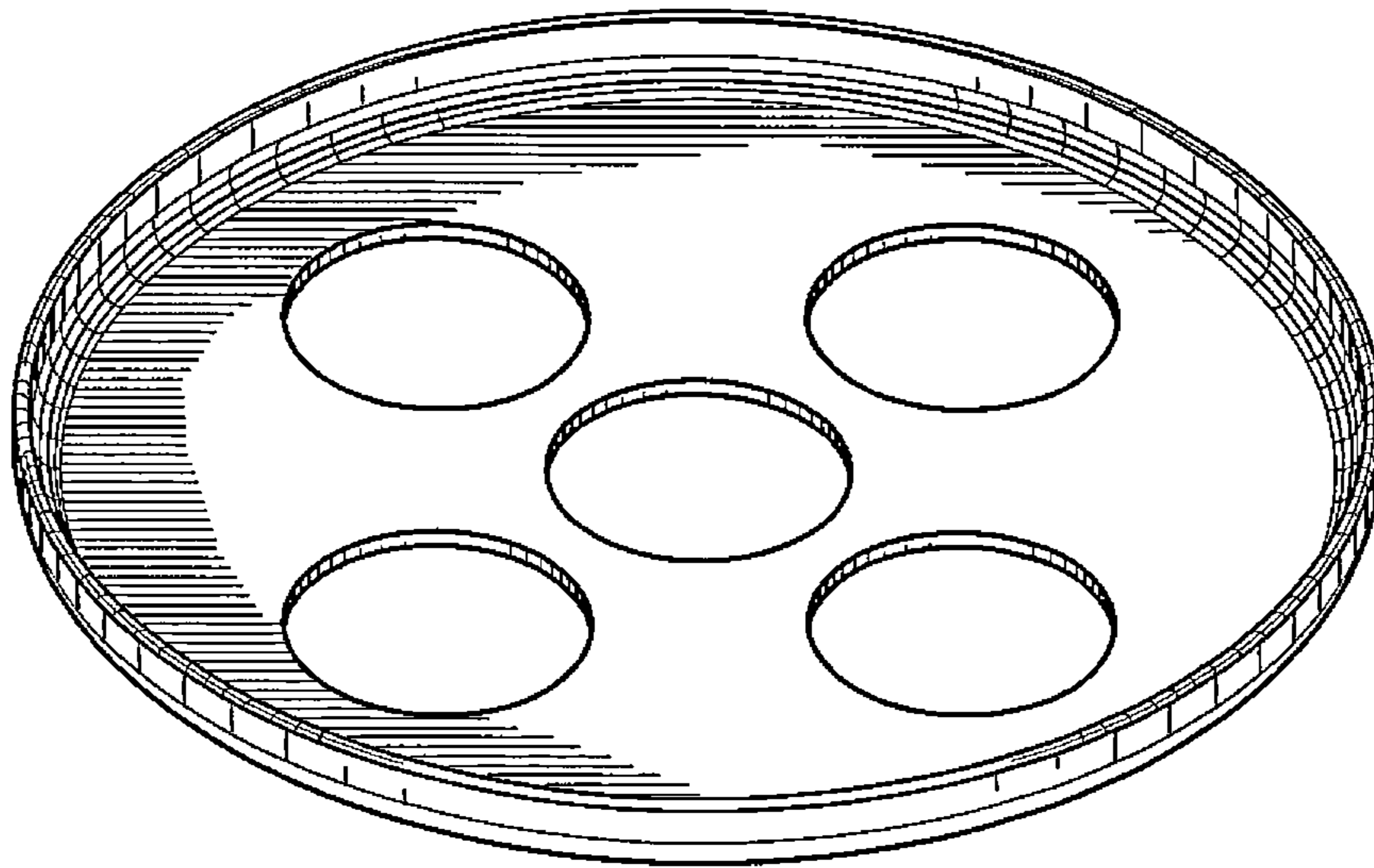


FIG. 2

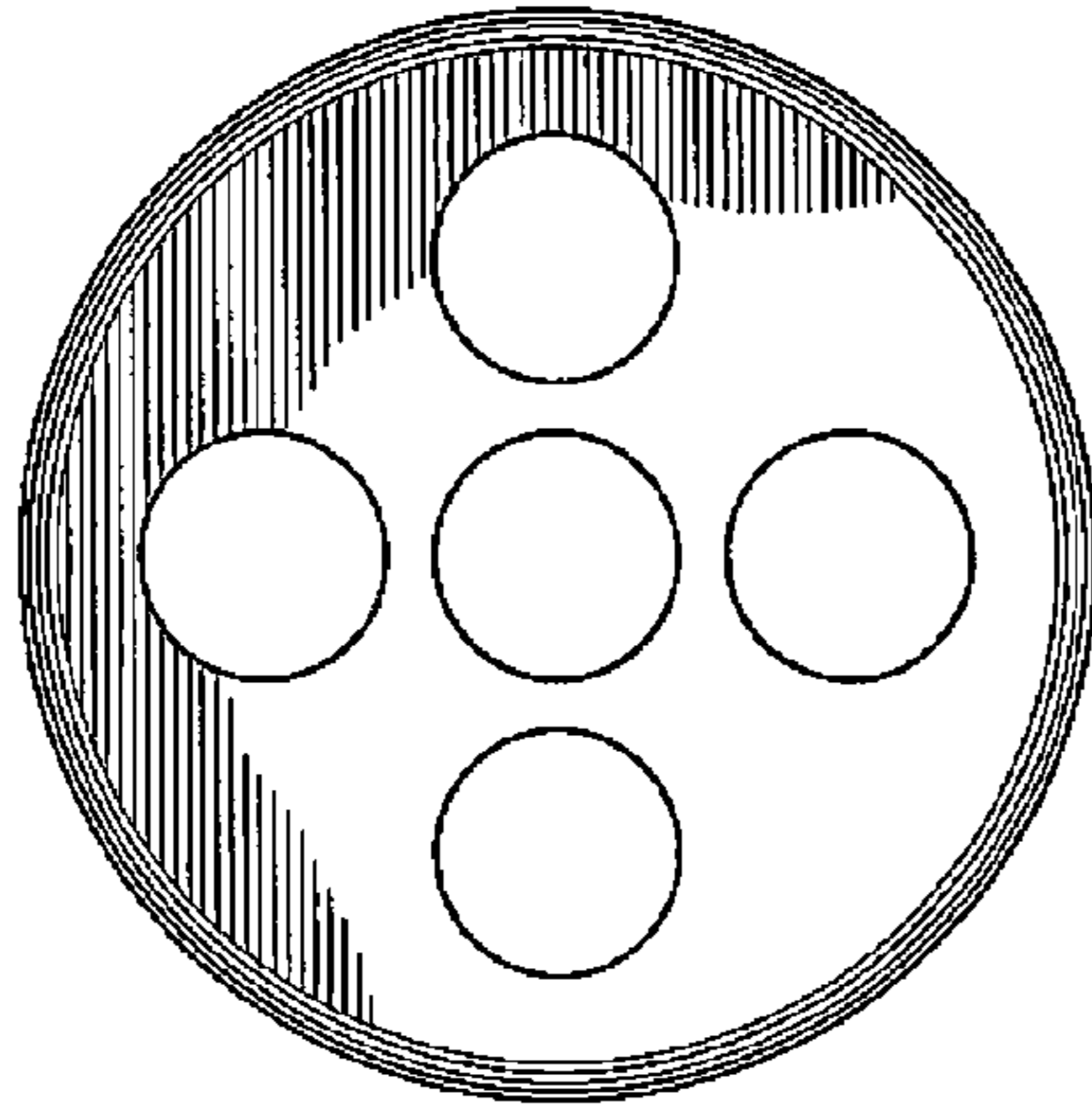


FIG.3

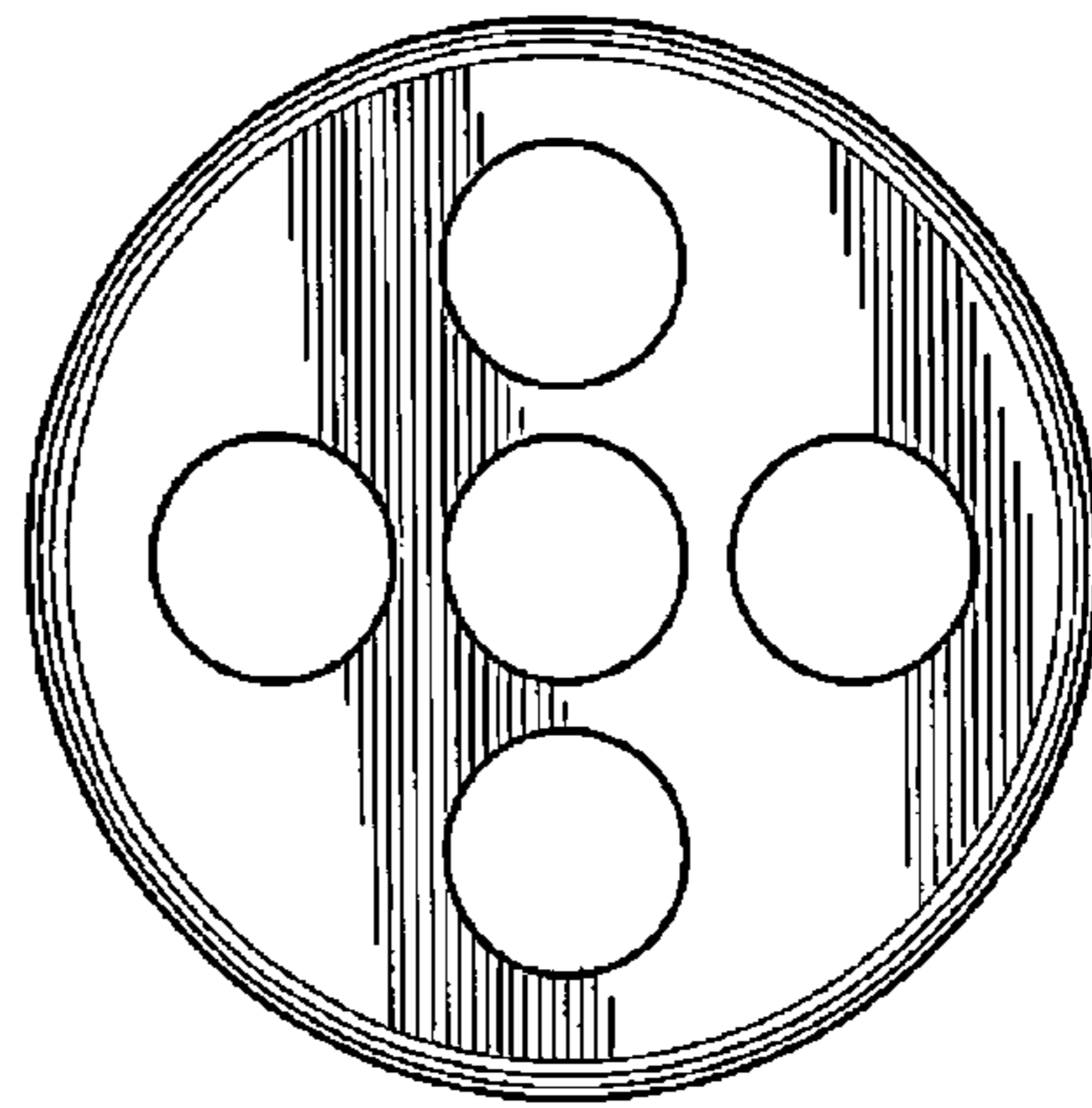


FIG.4

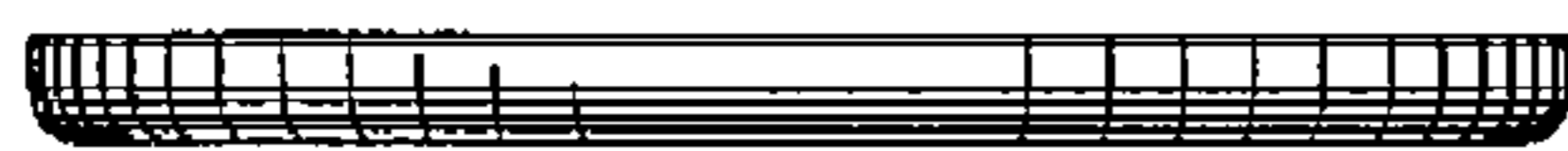


FIG.5

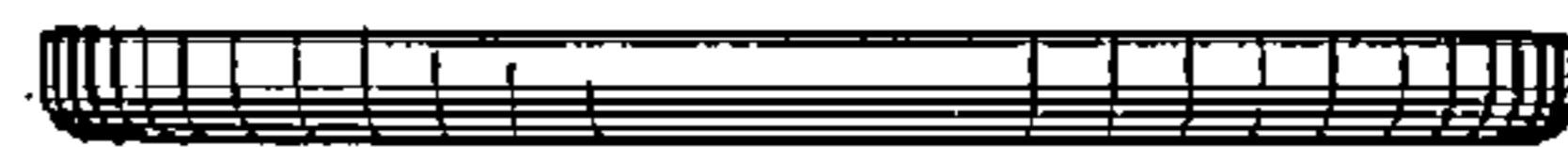


FIG.6

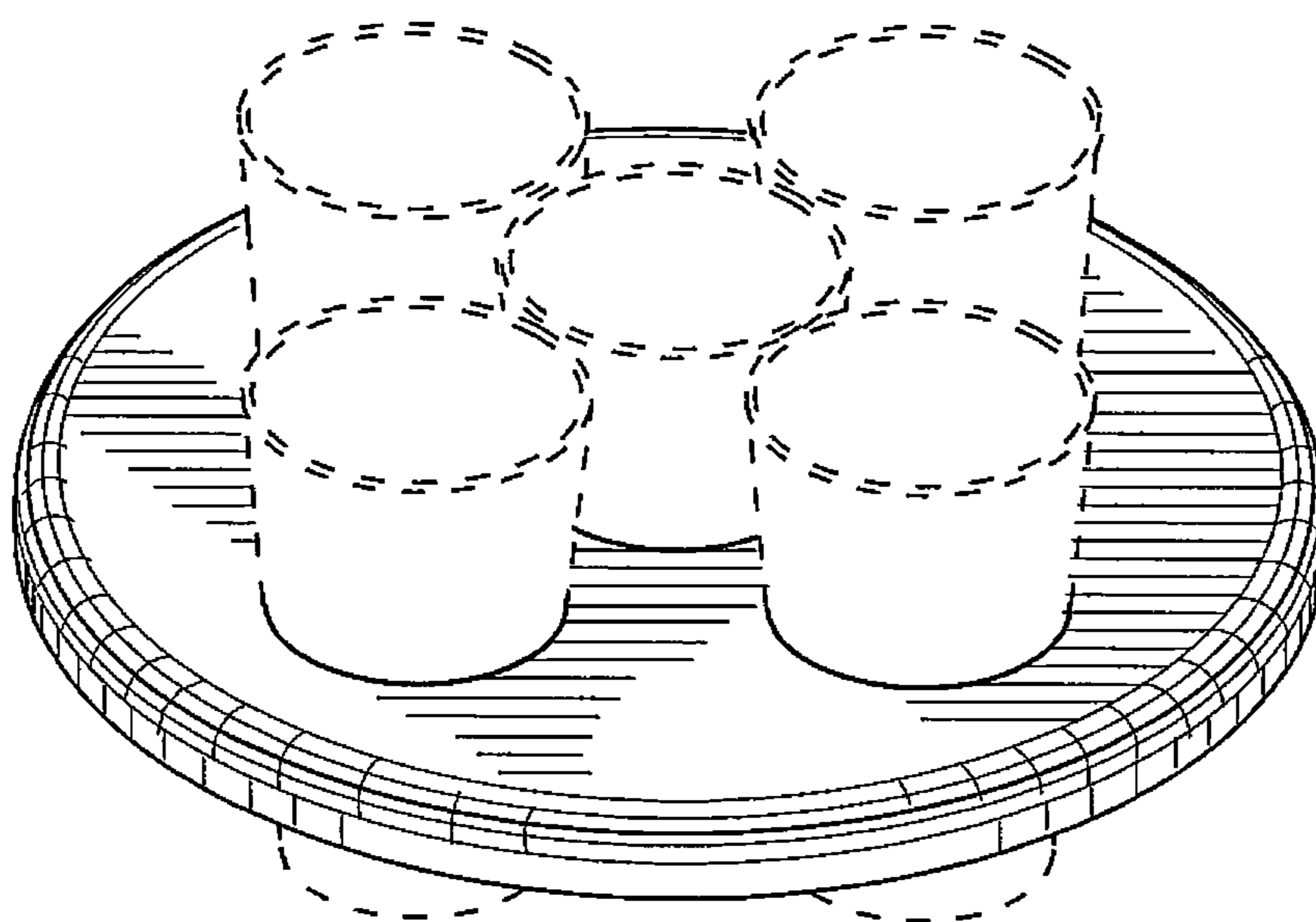


FIG.7

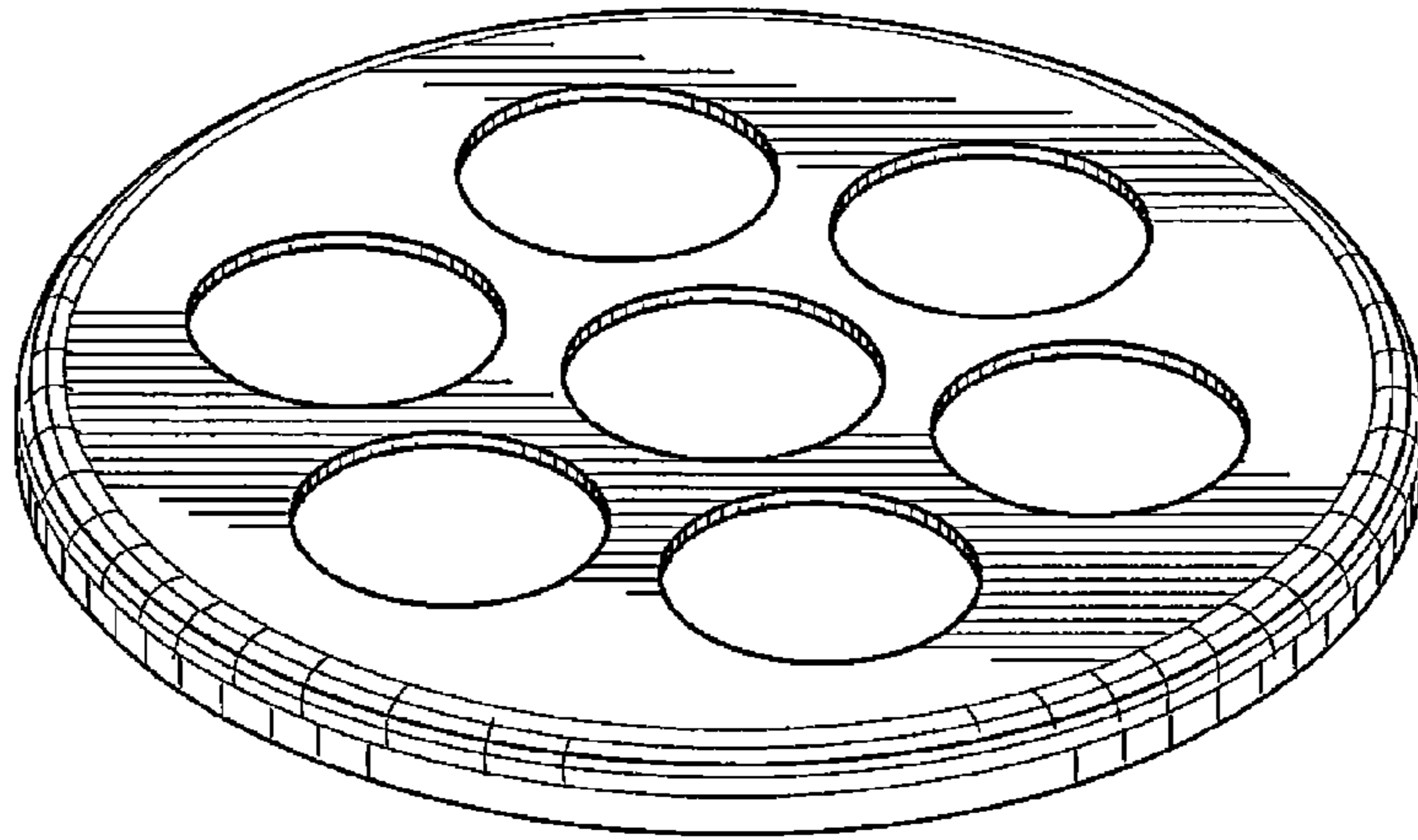


FIG. 8

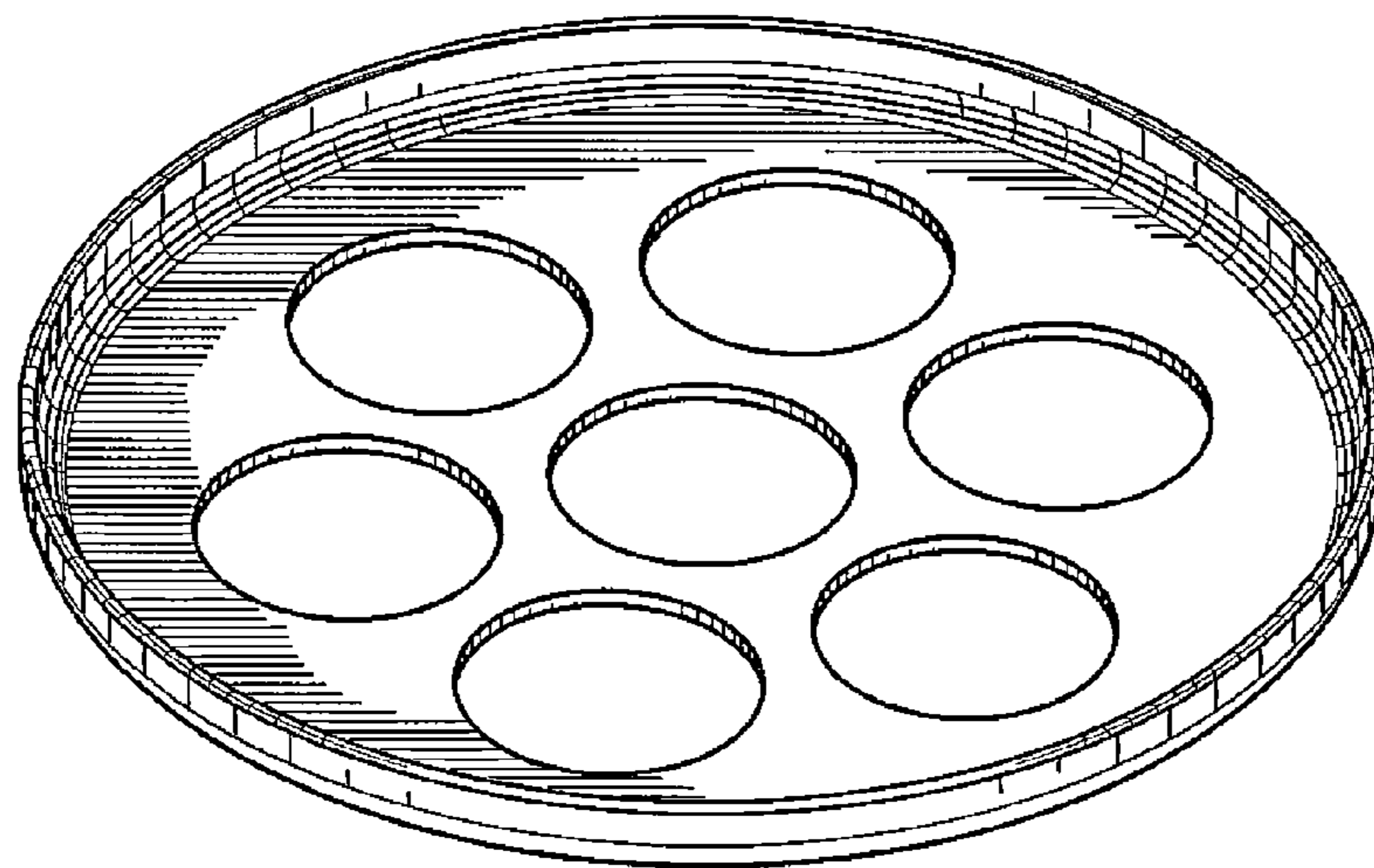


FIG. 9

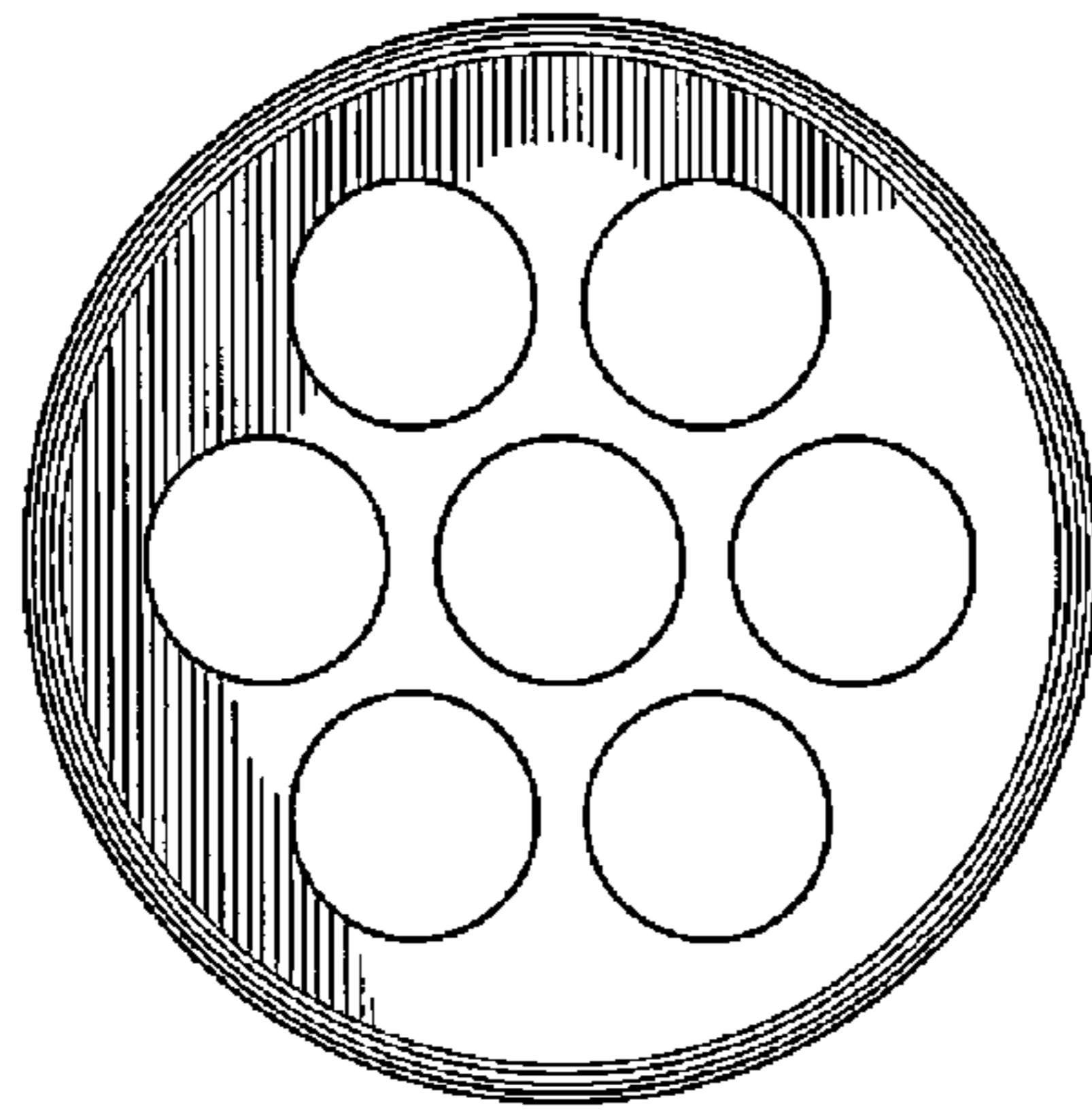


FIG. 10

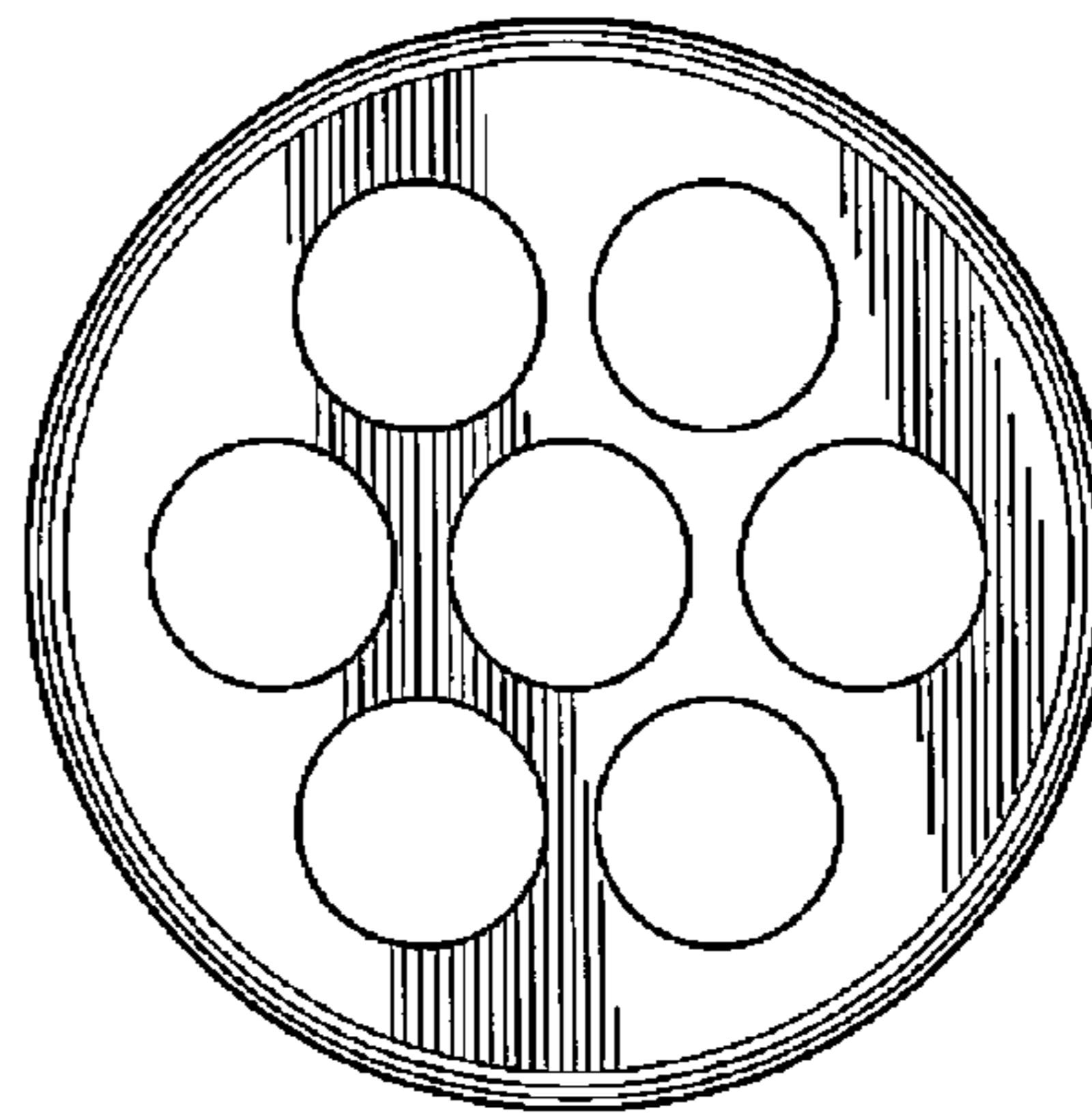


FIG. 11

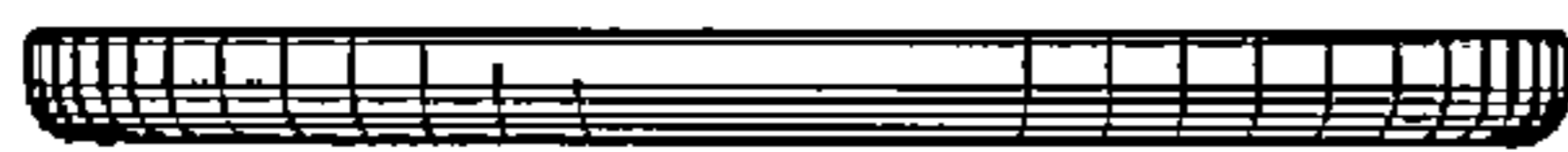


FIG. 12

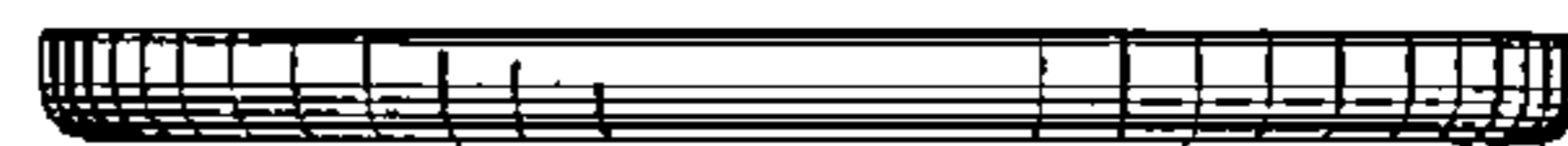


FIG. 13

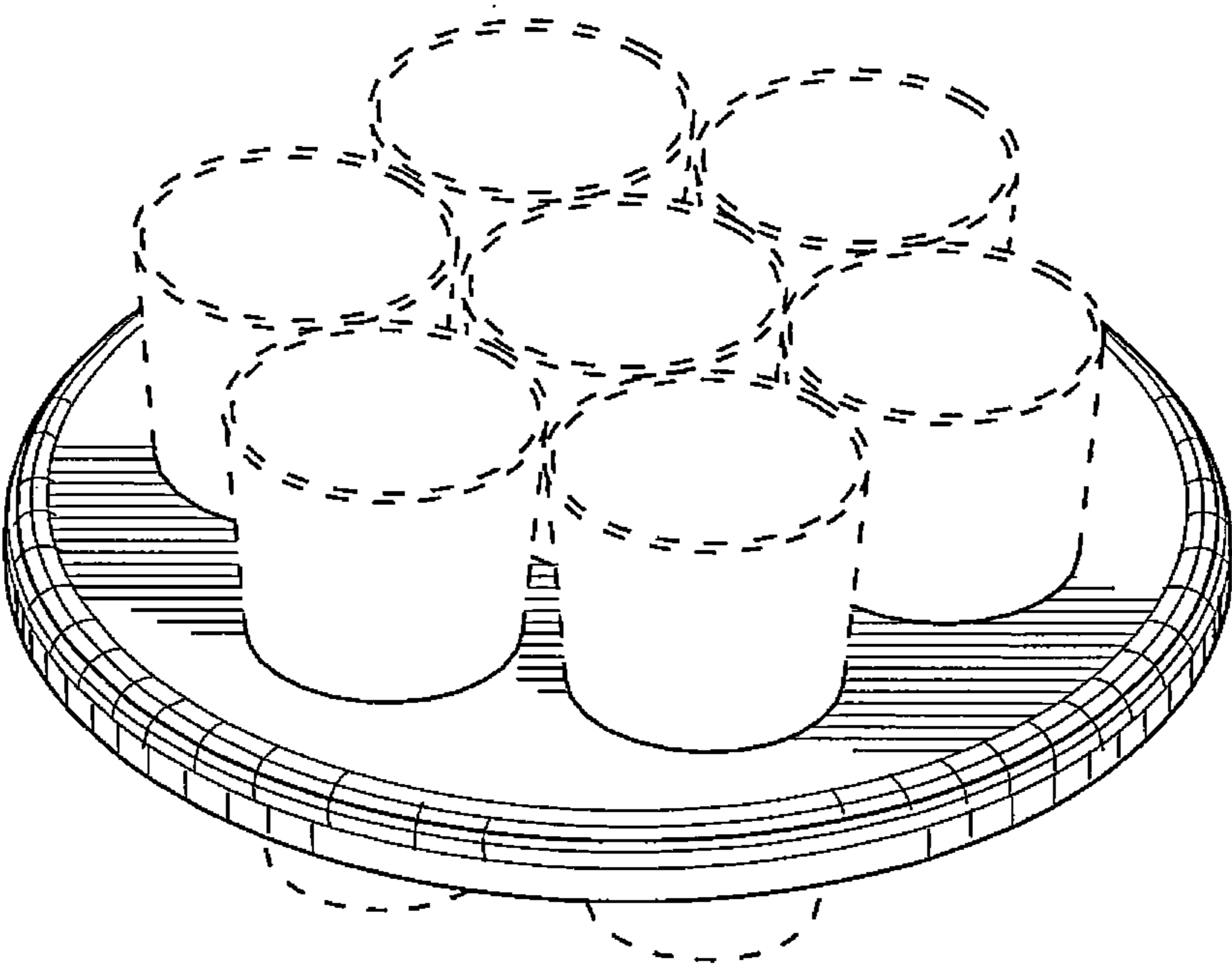


FIG.14

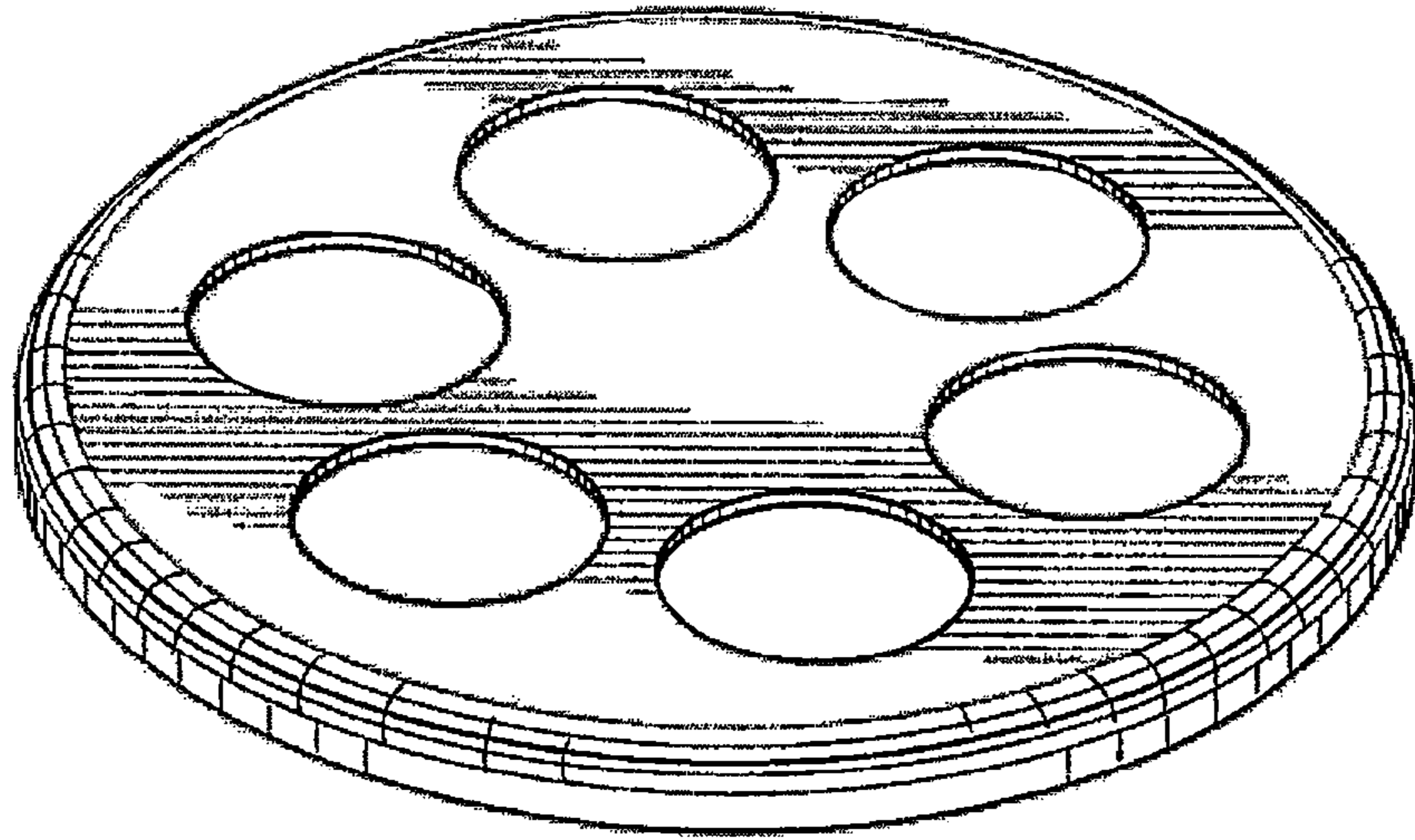


FIG. 15

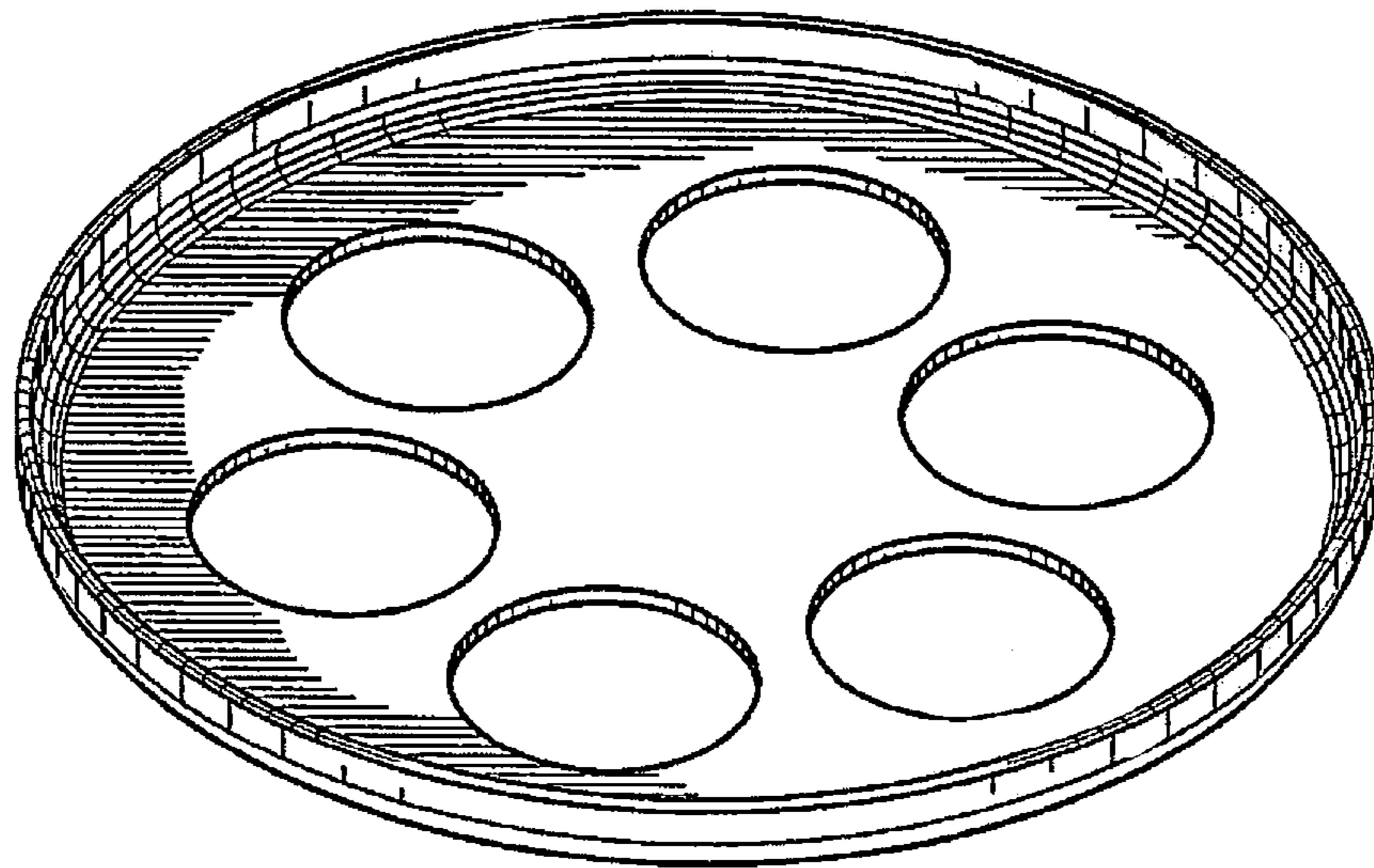


FIG. 16

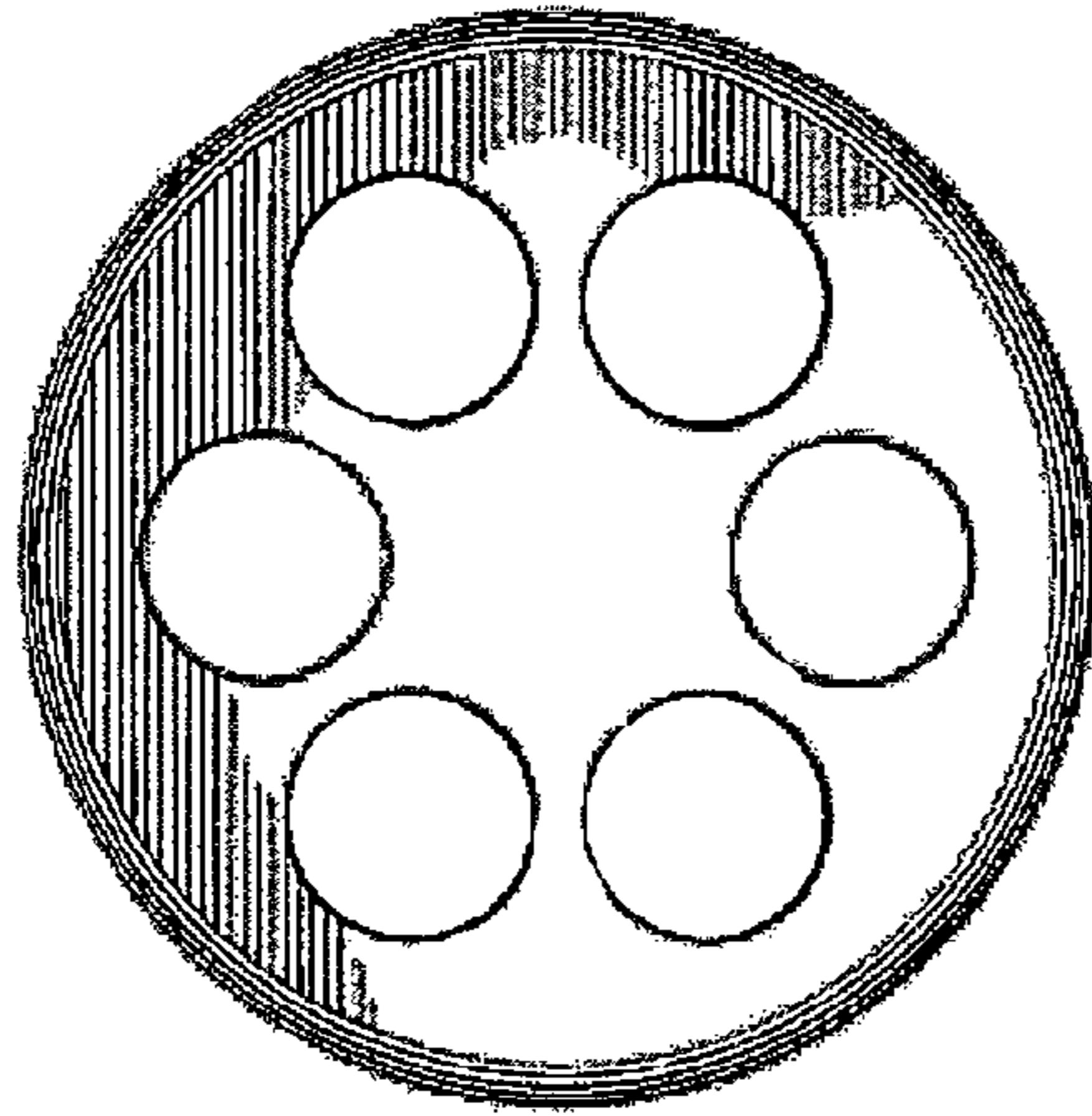


FIG.17

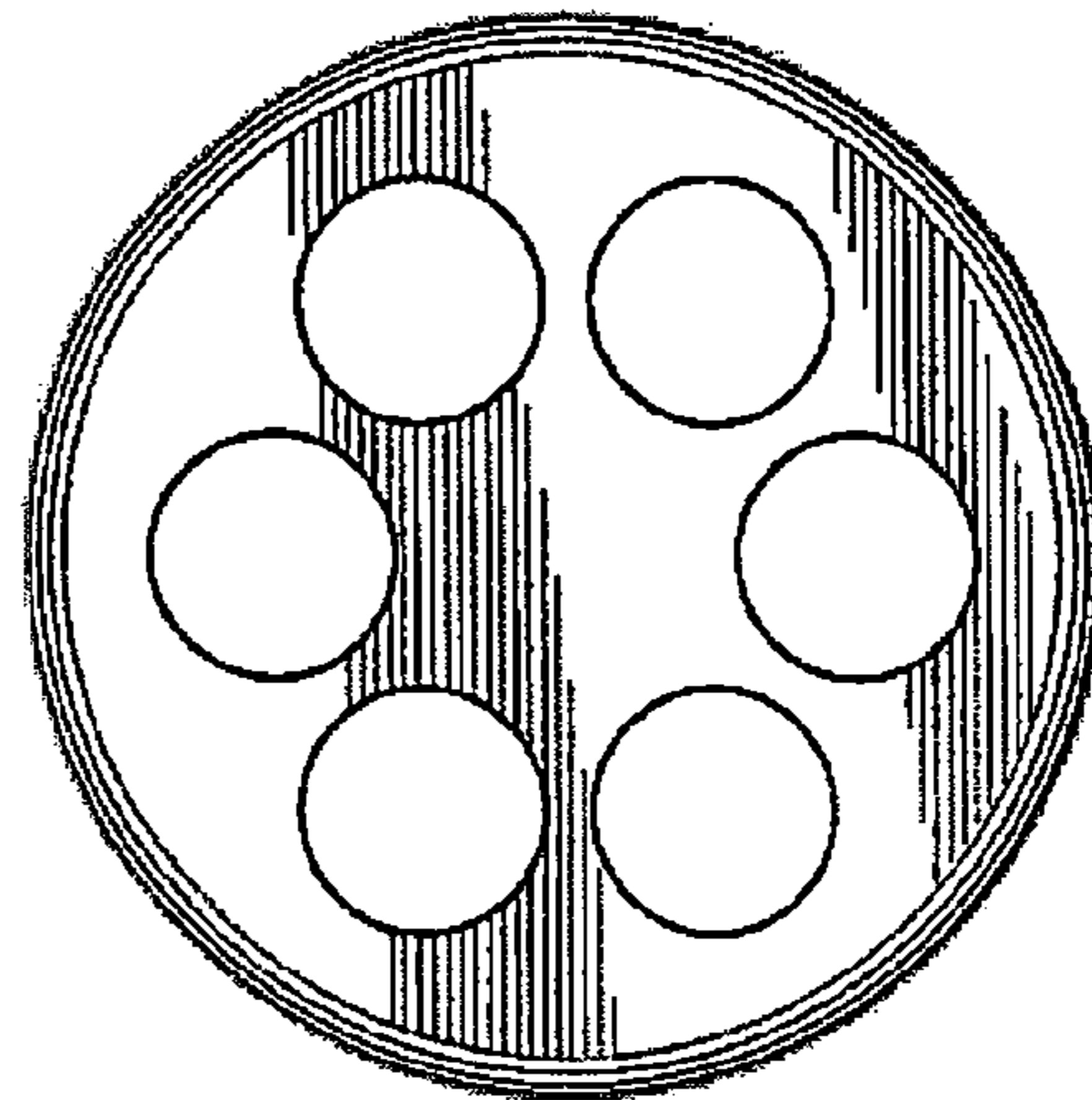


FIG.18



FIG.19

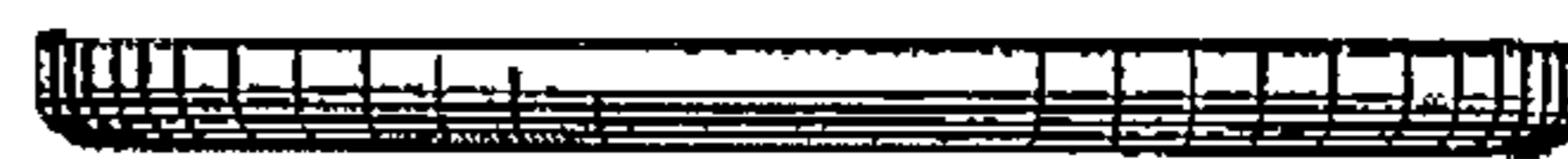


FIG.20

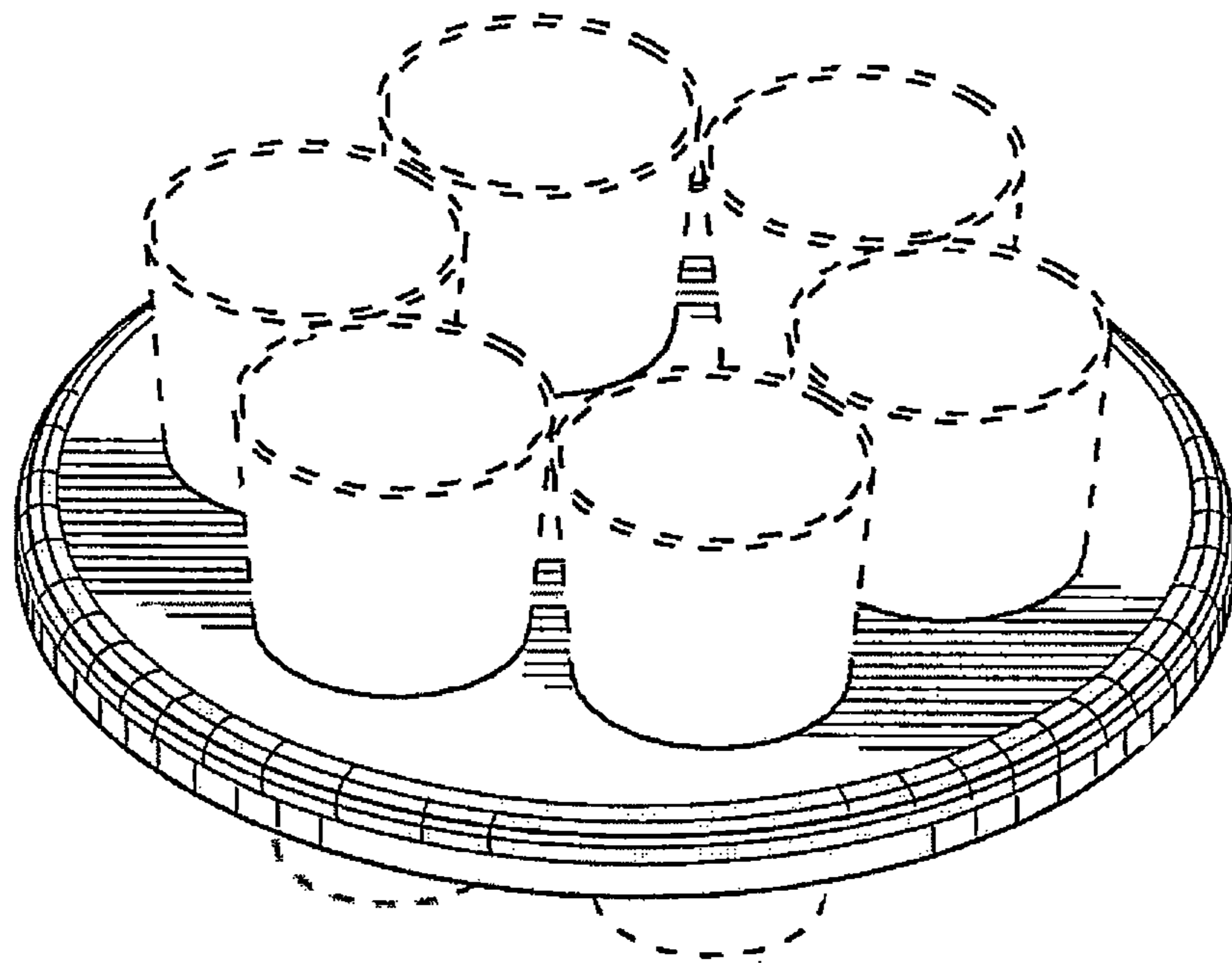


FIG.21