



US00D737103S

(12) **United States Design Patent**
Cloutier et al.

(10) **Patent No.:** **US D737,103 S**
(45) **Date of Patent:** **** Aug. 25, 2015**

- (54) **MESH EXTENDED TOP SERVING TRAY**
- (71) Applicant: **Magellan Group Ltd.**, Blaine, WA (US)
- (72) Inventors: **Andre Dean Cloutier**, Blaine, WA (US);
Edwin Cheong, Blaine, WA (US);
Adriana Collins, Blaine, WA (US);
Debra Lynne Sasken-Duff, Blaine, WA (US);
Michelle Richards, Blaine, WA (US);
Marie Thornton, Blaine, WA (US)
- (73) Assignee: **Magellan Group Ltd.**, Blaine, WA (US)
- (**) Term: **14 Years**
- (21) Appl. No.: **29/436,632**
- (22) Filed: **Nov. 7, 2012**
- (51) **LOC (10) Cl.** **07-01**
- (52) **U.S. Cl.**
USPC **D7/554.2**
- (58) **Field of Classification Search**
USPC D7/532, 546-547, 553.1, 553.8, 551.1,
D7/557, 552.2, 554.2; D9/337, 425, 428,
D9/429; 206/588, 515, 557; 426/106, 112,
426/132; 220/238, 506, 23.83, 74
CPC B65D 1/36; B65D 81/343
See application file for complete search history.

(56) **References Cited**

U.S. PATENT DOCUMENTS

2,795,942	A *	6/1957	Harris	220/574
3,734,062	A *	5/1973	O'Hara	119/61.54
D286,250	S *	10/1986	Prescott	D7/557
D304,658	S *	11/1989	Mattei	D7/505
4,989,419	A *	2/1991	Brando et al.	62/457.2
D370,314	S *	5/1996	Pearson-Falcon	D30/130
D370,598	S *	6/1996	Koch	D7/543
D376,723	S *	12/1996	Asner	D7/359
5,869,120	A *	2/1999	Blazevich	426/132
D418,018	S *	12/1999	Winsted	D7/553.8

D423,292	S *	4/2000	Horvat	D7/584
D453,308	S *	2/2002	McCauley	D11/152
D460,897	S *	7/2002	Leuenberger	D7/553.8
6,550,630	B1 *	4/2003	Krupa	220/575
D486,991	S *	2/2004	Lee	D7/357
D489,972	S *	5/2004	Lin	D7/553.6
D490,268	S *	5/2004	Groll	D7/354
D493,256	S *	7/2004	Kim	D28/61
D511,273	S *	11/2005	Hadeler	D7/553.6
D522,807	S *	6/2006	Dow et al.	D7/409
D527,224	S *	8/2006	Roth et al.	D7/540
D527,954	S *	9/2006	Roth	D7/557
7,213,535	B2 *	5/2007	Schmidt et al.	119/161
D560,967	S *	2/2008	Zemel	D7/409
D561,539	S *	2/2008	Snider et al.	D7/600.2
D582,101	S *	12/2008	Shamoon	D30/129
D587,529	S *	3/2009	Pratt	D7/555
D592,017	S *	5/2009	Bizzell	D7/629
D601,310	S *	9/2009	Greenan	D30/129

(Continued)

Primary Examiner — Kelley Donnelly

(74) *Attorney, Agent, or Firm* — Dwayne E. Rogge; Schacht Law Office, Inc.

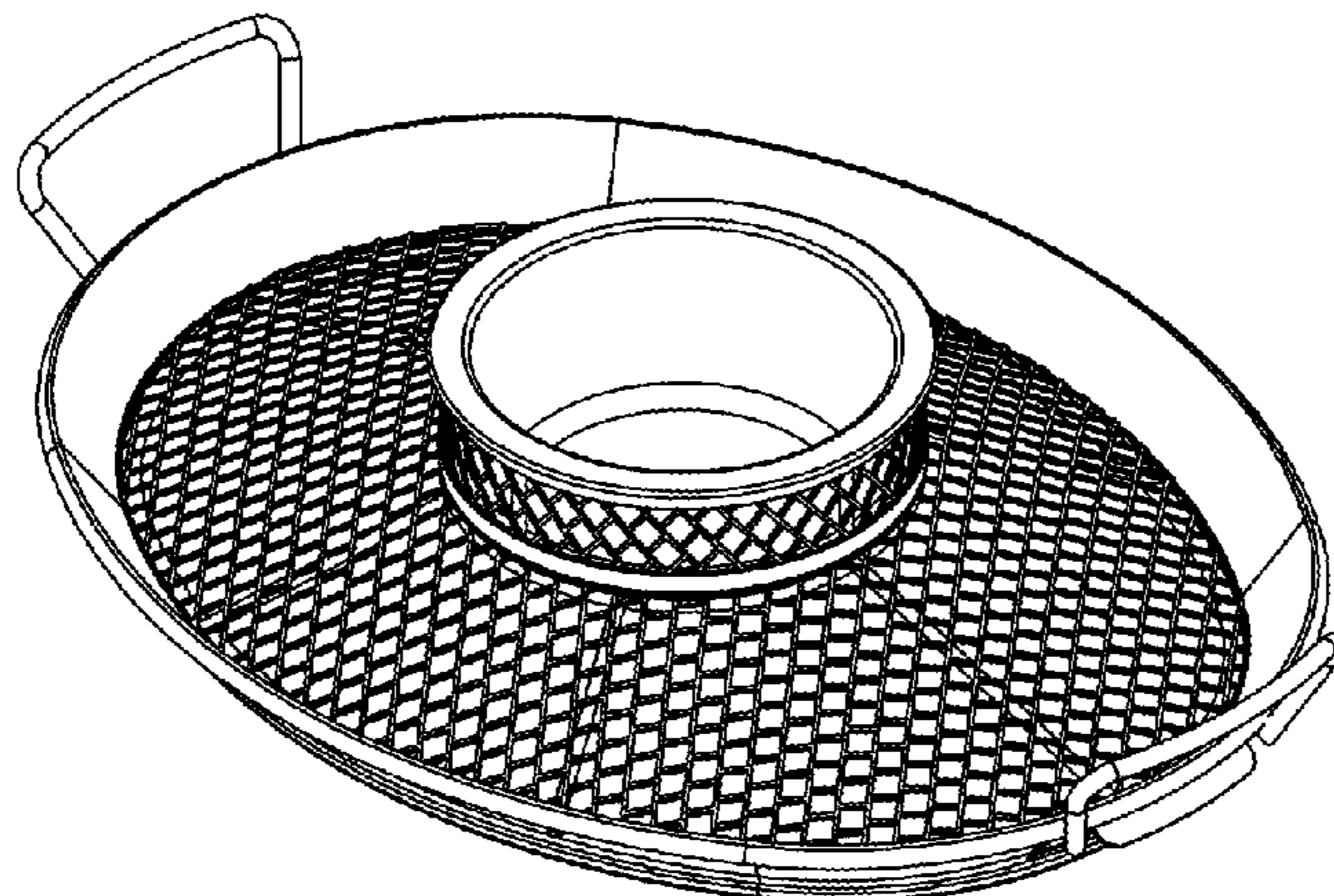
(57) **CLAIM**

The ornamental design for a mesh extended top serving tray, as shown and described.

DESCRIPTION

FIG. 1 is a top isometric view of the mesh extended top serving tray thereof.
 FIG. 2 is a top view thereof.
 FIG. 3 is a side elevation view with the opposing side view being a mirror image thereof.
 FIG. 4 is a bottom view thereof.
 FIG. 5 is a front elevation view with the opposing rear view being a mirror image thereof; and,
 FIG. 6 is an exploded top isometric view thereof for clarity of illustration.
 Any broken lines shown in the drawings are for illustrative purposes only and form no part of the claimed design.

1 Claim, 4 Drawing Sheets



(56)

References Cited

U.S. PATENT DOCUMENTS

D611,300 S * 3/2010 Chen et al. D7/409
D639,601 S * 6/2011 Borovicka et al. D7/354
D655,158 S * 3/2012 Drozek et al. D9/435
D657,612 S * 4/2012 Cloutier et al. D7/354

D671,355 S * 11/2012 Zmrhal D7/360
D682,037 S * 5/2013 Cloutier D7/554.2
D700,004 S * 2/2014 Weskamp et al. D7/360
2002/0195001 A1* 12/2002 Hester 99/345
2005/0218144 A1* 10/2005 Price 220/574
2006/0057267 A1* 3/2006 Dow et al. 426/524

* cited by examiner

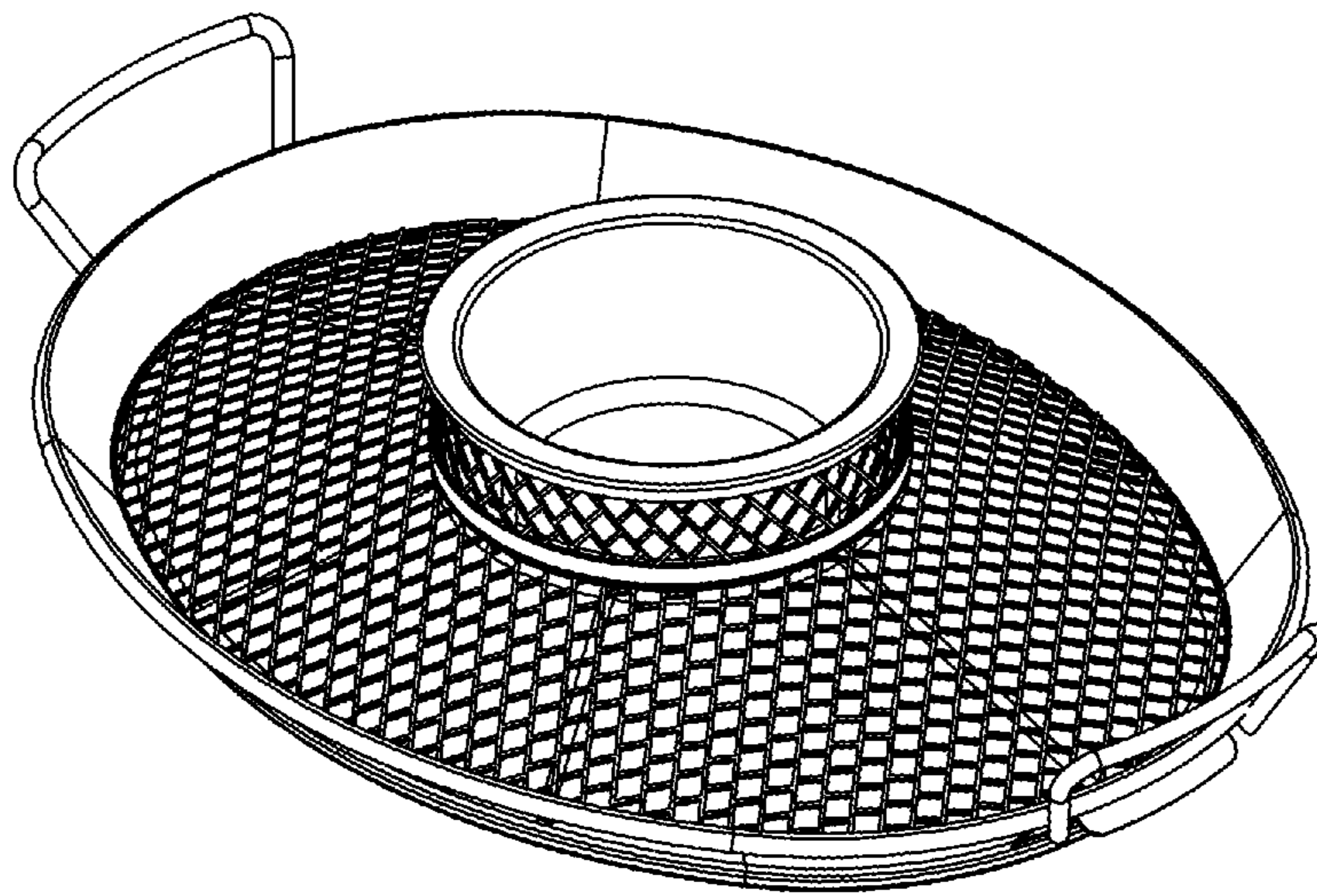
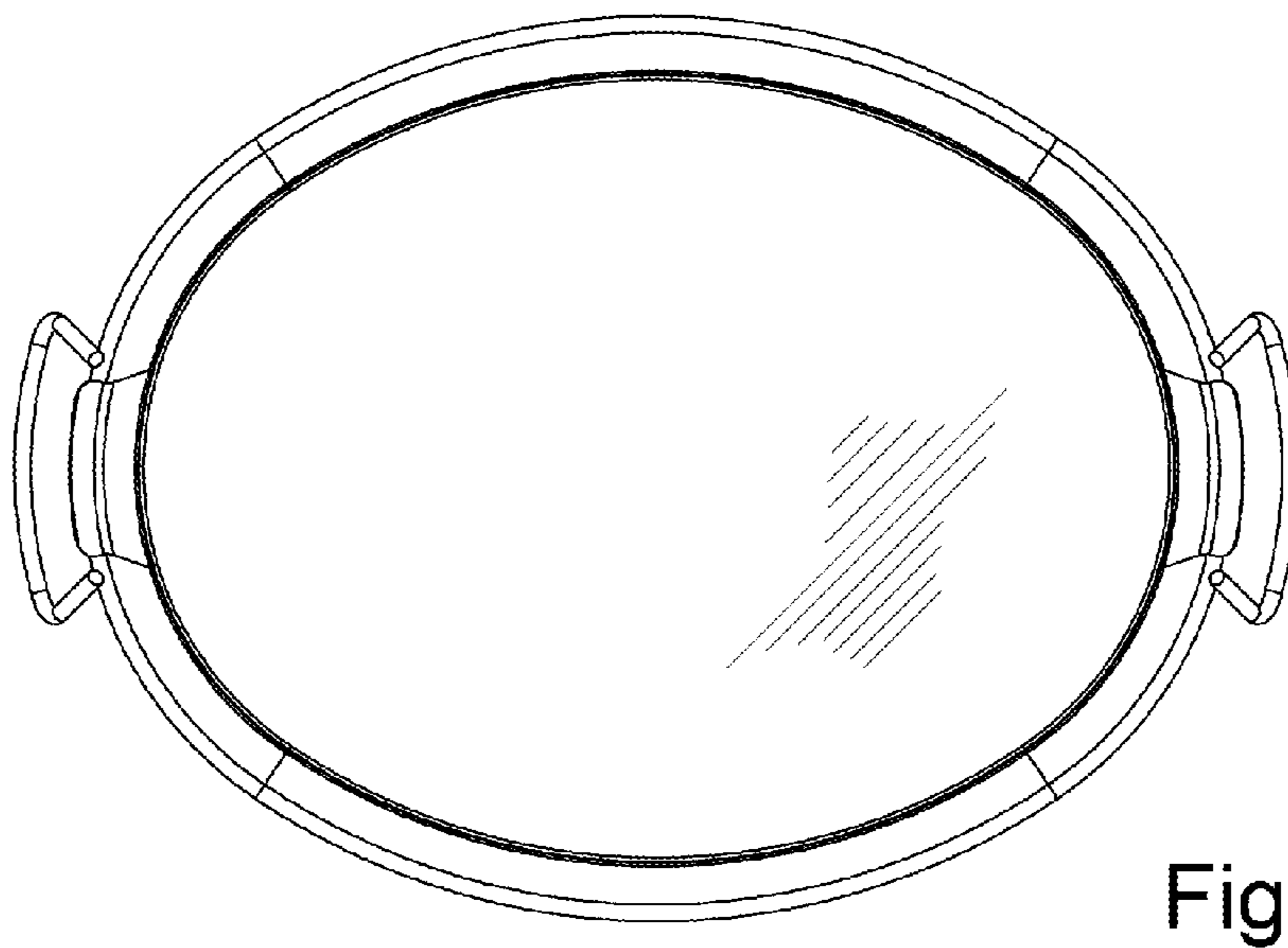
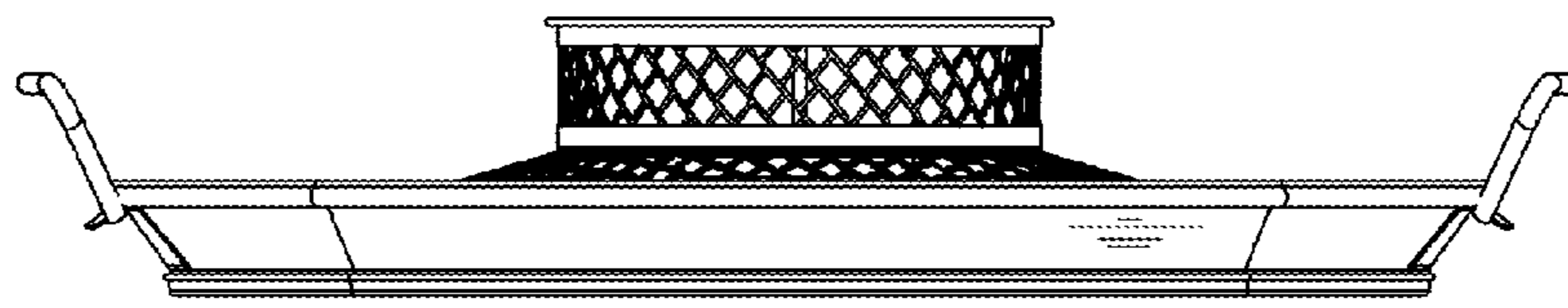
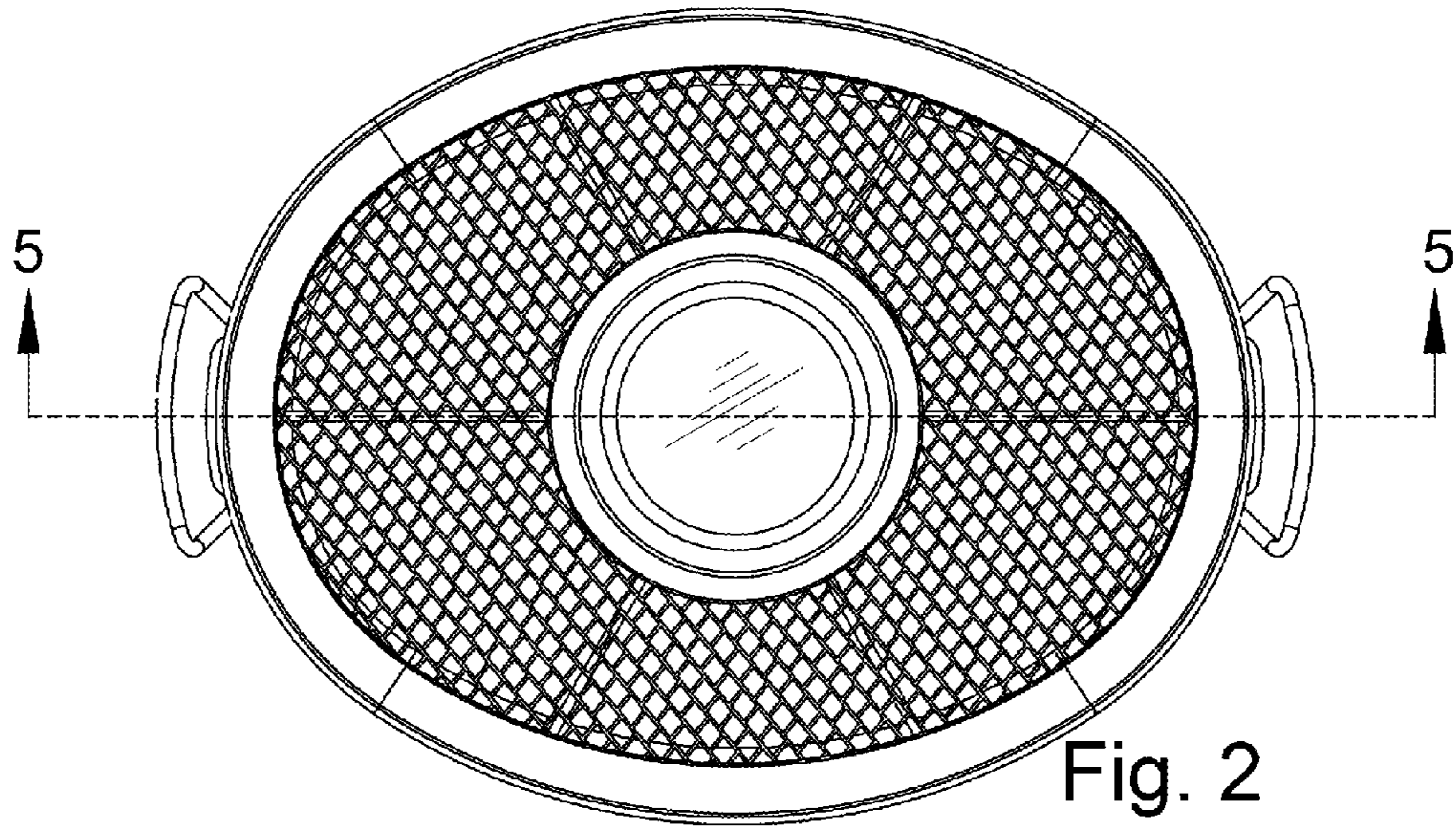


Fig. 1



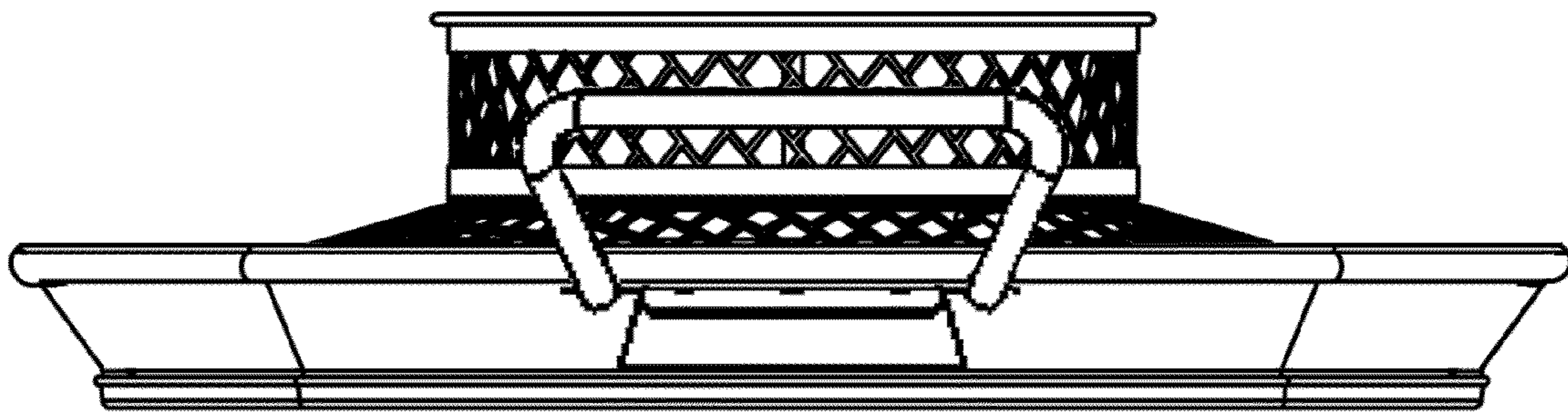


Fig. 5

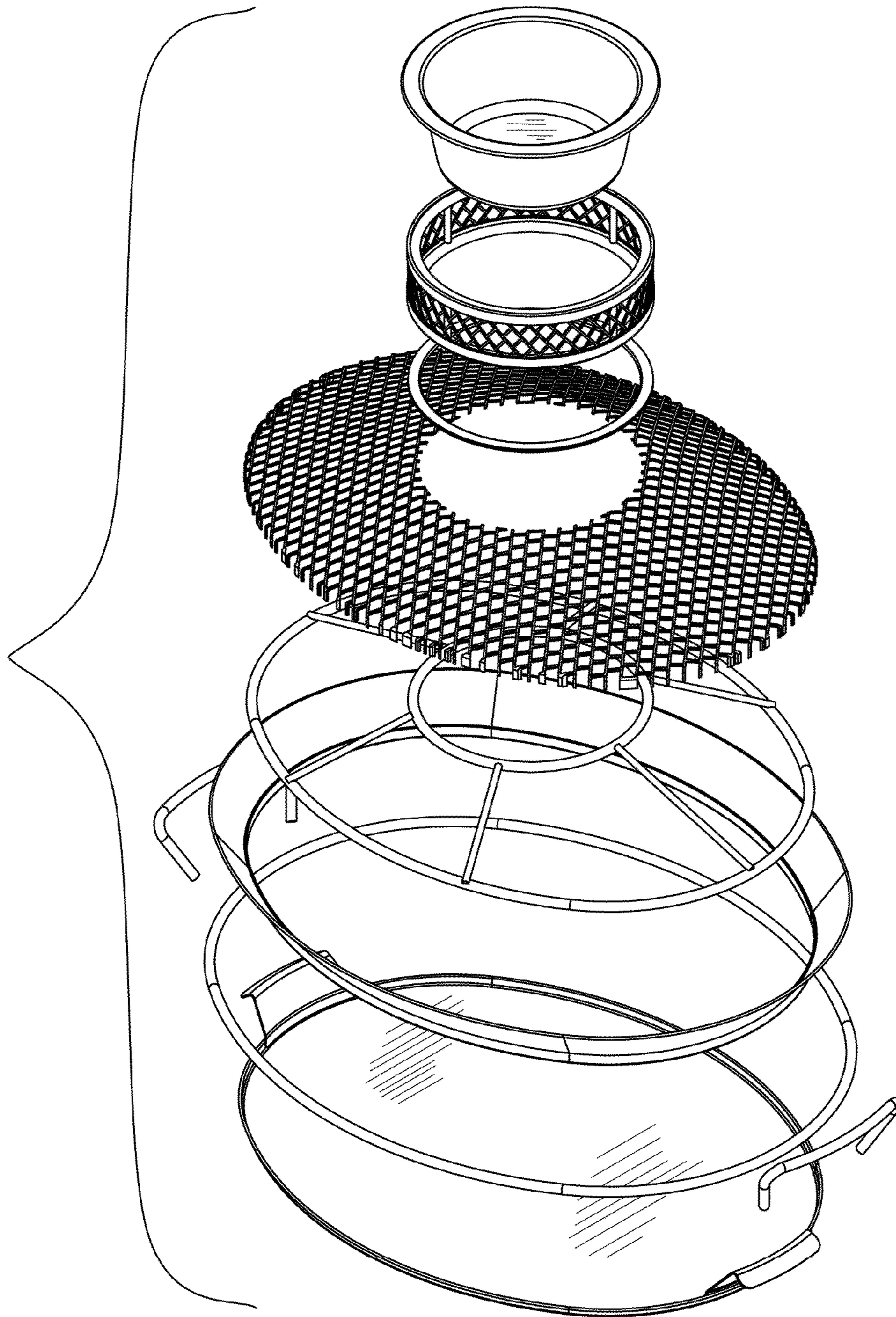


Fig. 6