



US00D737102S

(12) **United States Design Patent**
Hand

(10) **Patent No.:** **US D737,102 S**

(45) **Date of Patent:** **** Aug. 25, 2015**

(54) **FOOD SERVER**

(71) Applicant: **Columbia Insurance Company,**
Omaha, NE (US)

(72) Inventor: **James C. Hand,** Glen Ellyn, IL (US)

(73) Assignee: **COLUMBIA INSURANCE**
COMPANY, Omaha, NE (US)

(**) Term: **14 Years**

(21) Appl. No.: **29/472,670**

(22) Filed: **Nov. 14, 2013**

(51) **LOC (10) Cl.** **07-01**

(52) **U.S. Cl.**
USPC **D7/542**

(58) **Field of Classification Search**
USPC D7/549, 500, 541, 543, 550.1,
D7/553.1-553.2, 555, 587, 601-602, 629,
D7/701, 703, 705; D9/414-425, 430-432,
D9/737, 744, 761; 206/557-558, 561, 527;
220/500, 553, 555-556, 575, 660, 662,
220/669-673, 675
CPC A47J 27/12; A47J 36/24; A47J 36/2405;
A47J 43/00; A47J 47/00; A47J 47/02; A47J
47/14; A47J 47/145; A47G 19/30; A47G
19/265; A47G 19/32

See application file for complete search history.

(56) **References Cited**

U.S. PATENT DOCUMENTS

1,429,207 A	9/1922	Koppelman et al.
1,543,443 A	6/1925	Koppelman
D112,168 S	11/1938	Bennet
2,634,039 A	4/1953	Schwertfeger
3,130,288 A	4/1964	Monaco et al.
3,307,603 A	3/1967	Swett
D216,186 S	12/1969	Edwards
3,484,035 A	12/1969	Swett
3,493,164 A	2/1970	Edwards

D219,673 S	1/1971	Daenen
3,710,589 A	1/1973	Brown et al.
D229,916 S	1/1974	Schneider
3,859,819 A	1/1975	Kaplan
3,920,178 A	11/1975	Moller

(Continued)

FOREIGN PATENT DOCUMENTS

DE	3907292	2/1990
WO	WO8702336	4/1987

(Continued)

OTHER PUBLICATIONS

Co-pending U.S. Appl. No. 29/472,672 for "Food Server" filed Nov. 14, 2013.

(Continued)

Primary Examiner — Wan Laymon

Assistant Examiner — Mark Booker

(74) *Attorney, Agent, or Firm* — Neal, Gerber & Eisenberg, LLP

(57) **CLAIM**

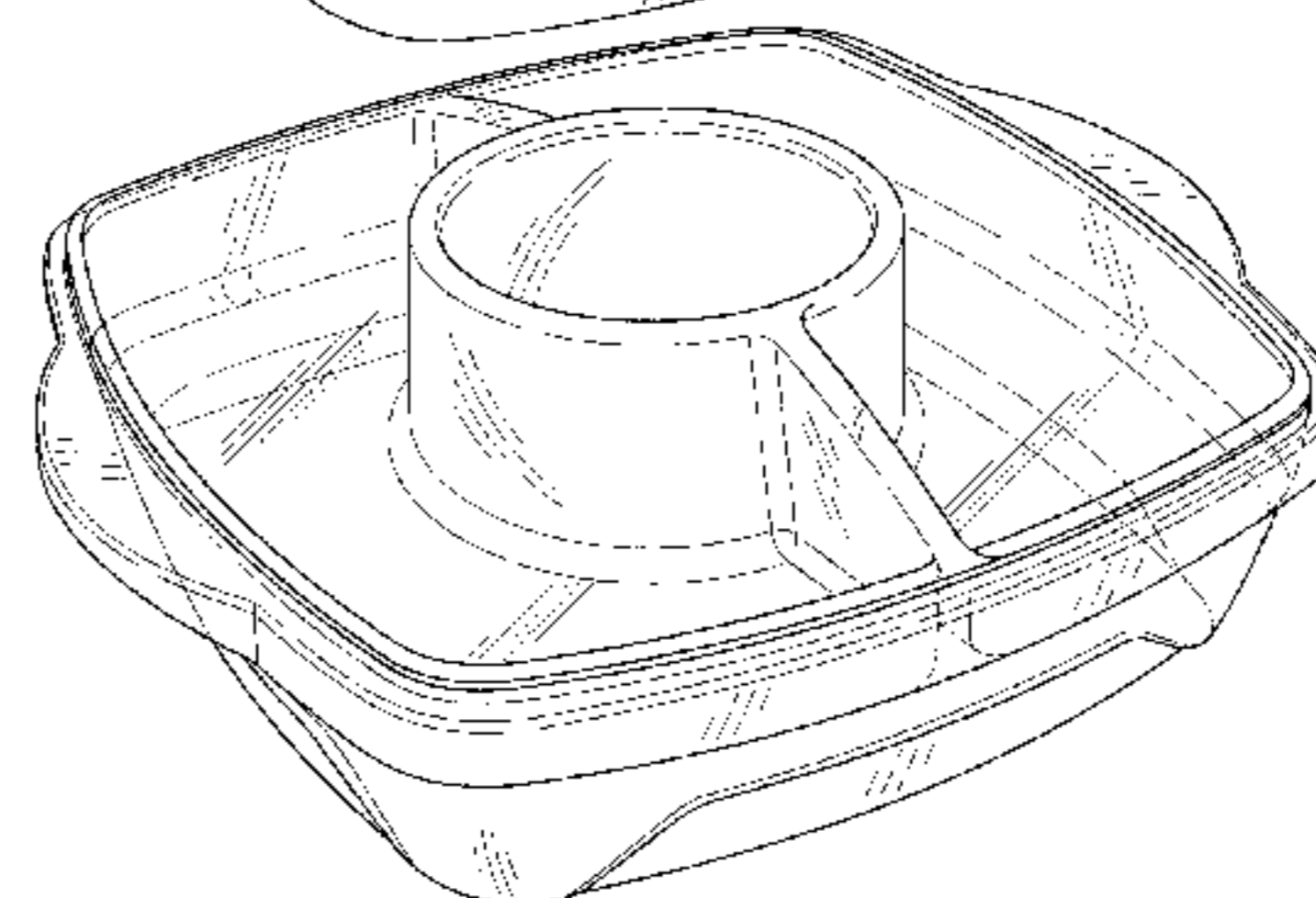
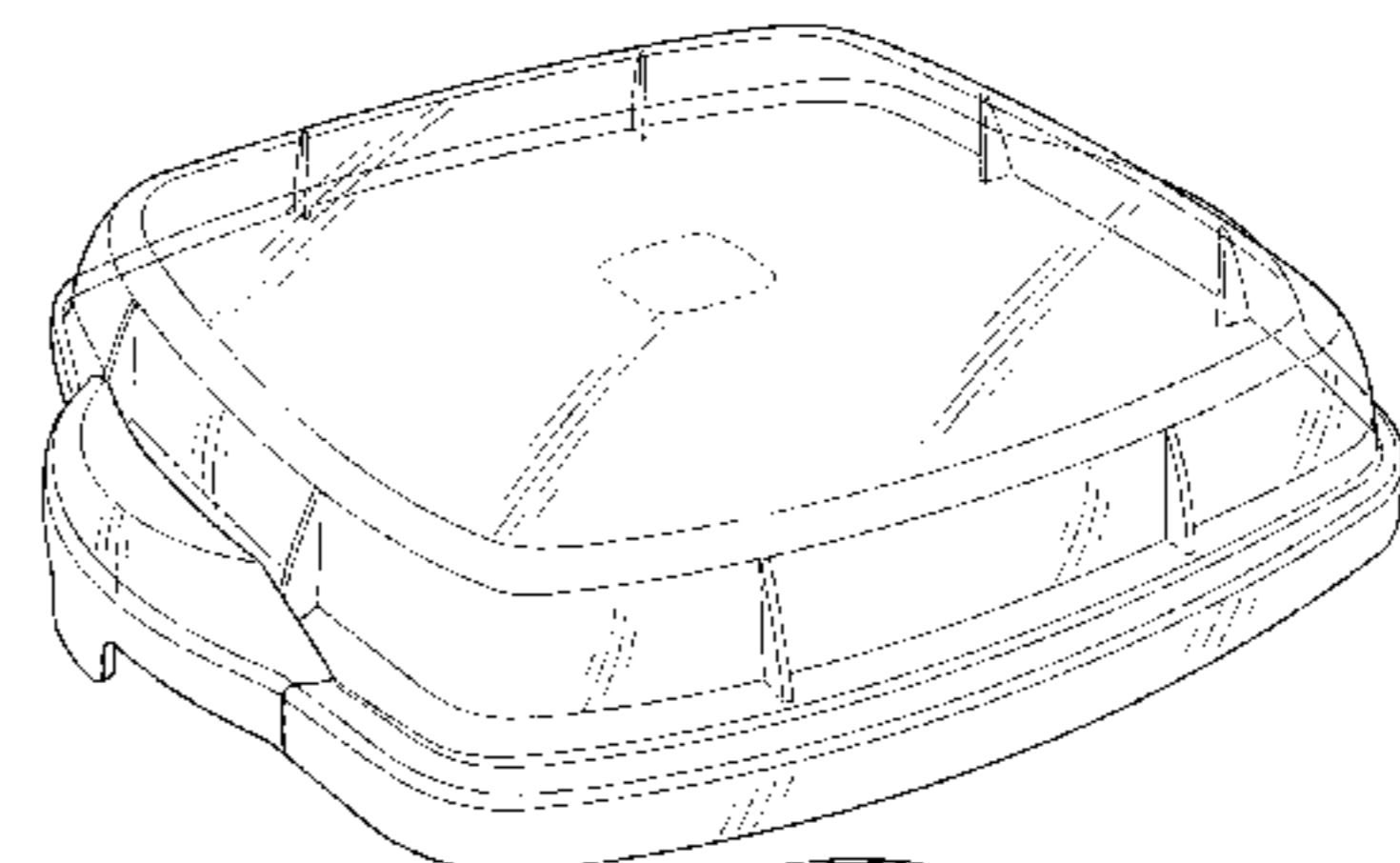
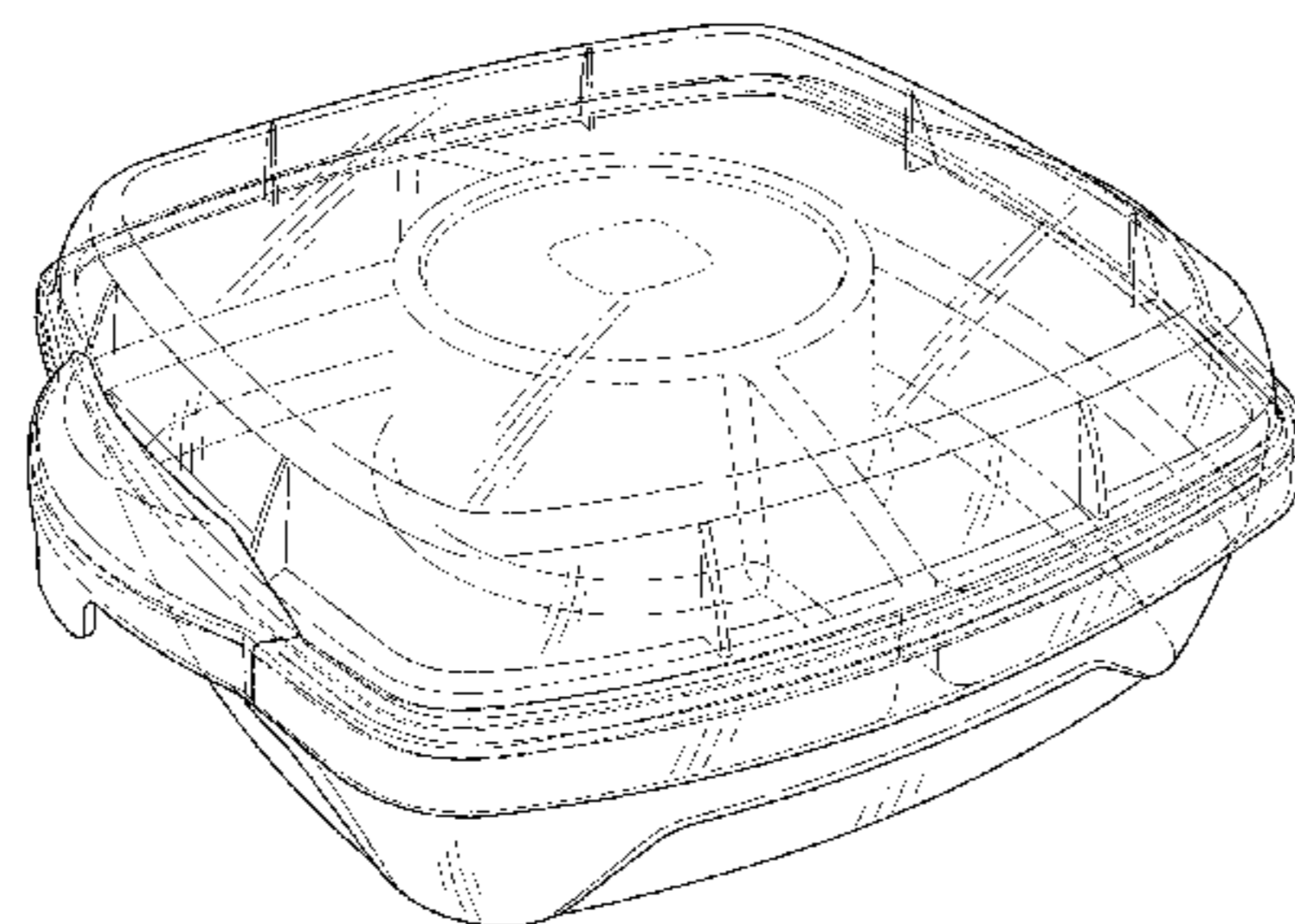
The ornamental design for a food server, as shown and described.

DESCRIPTION

FIG. 1 is a top perspective view of the food server of the present invention;
FIG. 2 is a first side elevational view thereof;
FIG. 3 is a second side elevational view thereof;
FIG. 4 is a top plan view thereof;
FIG. 5 is a bottom plan view thereof; and,
FIG. 6 is an exploded view of the food server of FIG. 1, showing the relationship between the two components of the food server.

The broken lines in the drawings illustrate the portions of the design that form no part of the claim.

1 Claim, 5 Drawing Sheets



(56)

References Cited

U.S. PATENT DOCUMENTS

D241,703 S 10/1976 Ashton
 D247,025 S 1/1978 Cherry
 4,147,277 A 4/1979 Bateman et al.
 4,287,943 A 9/1981 Hotta
 4,383,422 A 5/1983 Gordon et al.
 D277,632 S 2/1985 Staufenberg
 4,520,633 A 6/1985 Hoydic
 4,553,692 A 11/1985 Padovani
 D285,638 S 9/1986 Trivison
 D286,360 S 10/1986 Trivison
 4,650,076 A 3/1987 Padovani
 4,741,176 A 5/1988 Johnson et al.
 4,842,143 A 6/1989 McKee, Sr. et al.
 4,869,387 A 9/1989 Persson
 4,898,273 A 2/1990 Kristiansen
 D310,315 S 9/1990 Bitel
 4,989,419 A 2/1991 Brando et al.
 D318,982 S 8/1991 Gecchelin
 D346,528 S 5/1994 Crawford et al.
 5,307,647 A 5/1994 McClure
 D368,409 S * 4/1996 Schwartz D7/553.6
 5,538,136 A 7/1996 Onneweer
 5,568,735 A 10/1996 Newkirk et al.
 D376,295 S * 12/1996 Ahern et al. D7/549
 D376,953 S * 12/1996 Dunn D7/549
 5,701,757 A 12/1997 Heverly
 5,704,485 A 1/1998 Cautereels et al.
 D399,704 S 10/1998 Cousins
 5,890,613 A 4/1999 Williams
 6,012,583 A 1/2000 Ramirez
 6,085,535 A 7/2000 Richmond et al.
 6,086,931 A 7/2000 Whiteford
 D440,118 S 4/2001 Claffy et al.
 D444,058 S 6/2001 Hampshire et al.
 6,250,104 B1 6/2001 Bostic
 6,378,325 B1 4/2002 Yang
 D457,784 S 5/2002 Torniainen et al.
 D459,950 S 7/2002 Bush et al.
 6,419,089 B1 7/2002 Dall
 6,434,961 B2 8/2002 Richmond et al.
 6,540,084 B2 4/2003 Silvers
 6,581,795 B1 6/2003 Schulein et al.
 6,601,403 B1 8/2003 Roth et al.
 D485,452 S 1/2004 Boron et al.
 D488,952 S 4/2004 Cubillos
 6,843,062 B2 1/2005 Crete

D515,880 S 2/2006 Lerner
 7,007,813 B2 3/2006 Yang
 D524,662 S 7/2006 Fager et al.
 7,131,289 B2 11/2006 Harl et al.
 7,225,633 B2 6/2007 DeMars
 7,288,745 B2 10/2007 Colonna
 D558,512 S 1/2008 Levy et al.
 7,353,951 B2 4/2008 Vovan
 D572,540 S 7/2008 Shew et al.
 D572,541 S * 7/2008 Shew et al. D7/629
 7,427,001 B1 9/2008 Keitges
 D579,264 S 10/2008 Simon et al.
 7,438,200 B1 10/2008 Keitges
 D592,013 S 5/2009 Bizzell et al.
 D592,014 S 5/2009 Bizzell et al.
 D596,447 S 7/2009 Cubillos
 D605,470 S 12/2009 Sluiman
 D610,876 S 3/2010 Busby
 D613,995 S 4/2010 Mishan
 7,735,651 B2 * 6/2010 Shew et al. 206/541
 7,736,580 B2 * 6/2010 Shew et al. 264/553
 D622,588 S * 8/2010 Wichmann et al. D9/424
 D626,380 S 11/2010 Harris
 D632,526 S 2/2011 Coursey et al.
 D634,164 S 3/2011 Coursey
 8,006,369 B2 * 8/2011 Shew et al. 29/527.1
 D698,666 S * 2/2014 Sifuentes et al. D9/761
 8,955,353 B2 * 2/2015 Harris et al. 62/457.6
 D723,392 S * 3/2015 Sifuentes et al. D9/761
 2003/0226844 A1 12/2003 Felknor et al.
 2006/0065702 A1 3/2006 Beese
 2008/0087037 A1 4/2008 Rapaz
 2008/0216507 A1 9/2008 Tremblay
 2008/0283437 A1 11/2008 St-Onge
 2009/0090649 A1 * 4/2009 Shew et al. 206/567
 2009/0092738 A1 * 4/2009 Shew et al. 426/665
 2009/0200195 A1 * 8/2009 Kovacevich et al. 206/561
 2011/0259897 A1 10/2011 Coursey et al.

FOREIGN PATENT DOCUMENTS

WO WO9908944 2/1999
 WO WO/2011/139418 11/2011

OTHER PUBLICATIONS

Co-pending U.S. Appl. No. 29/472,674 for "Food Server" filed Nov. 14, 2013.

* cited by examiner

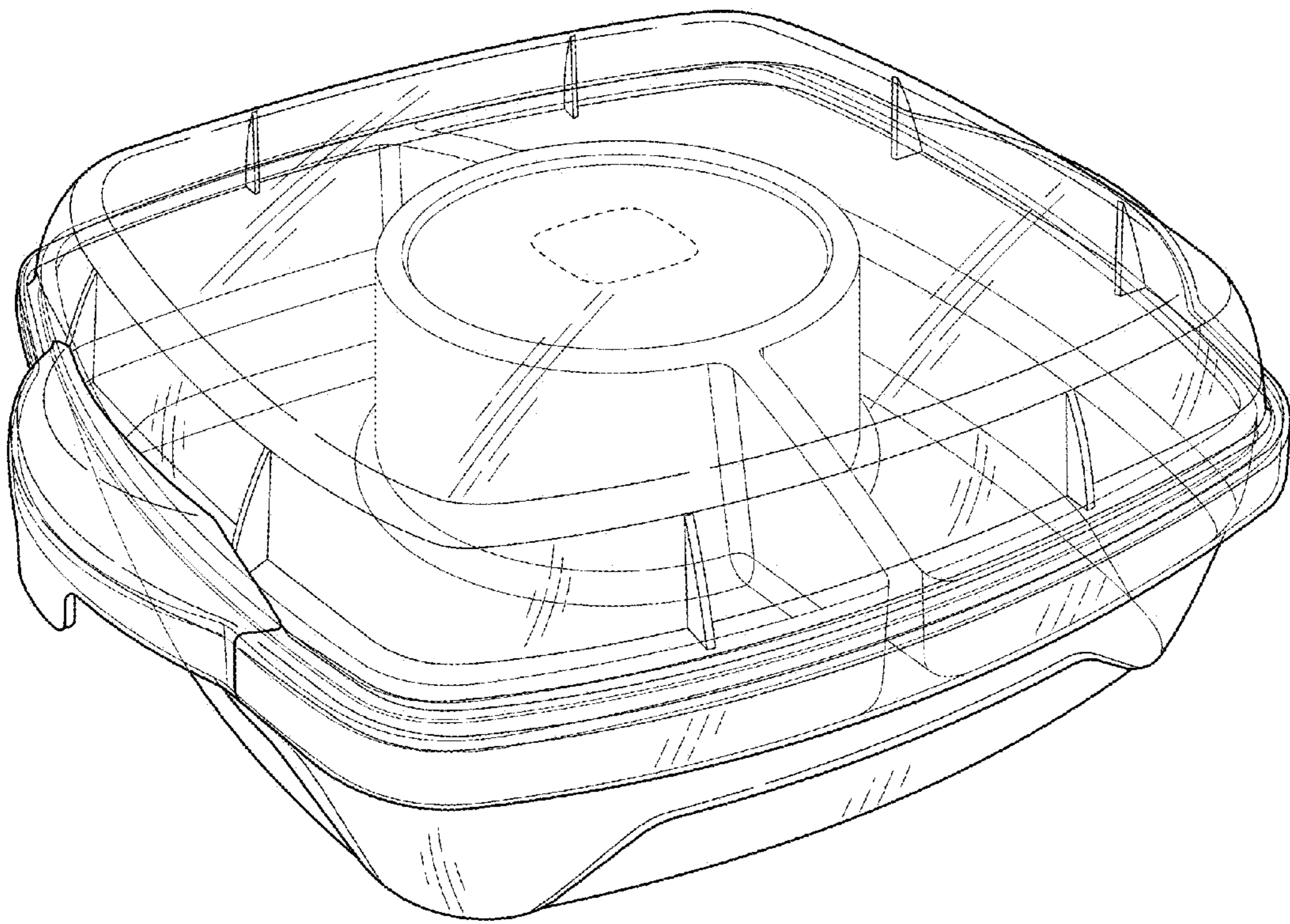


FIG. 1

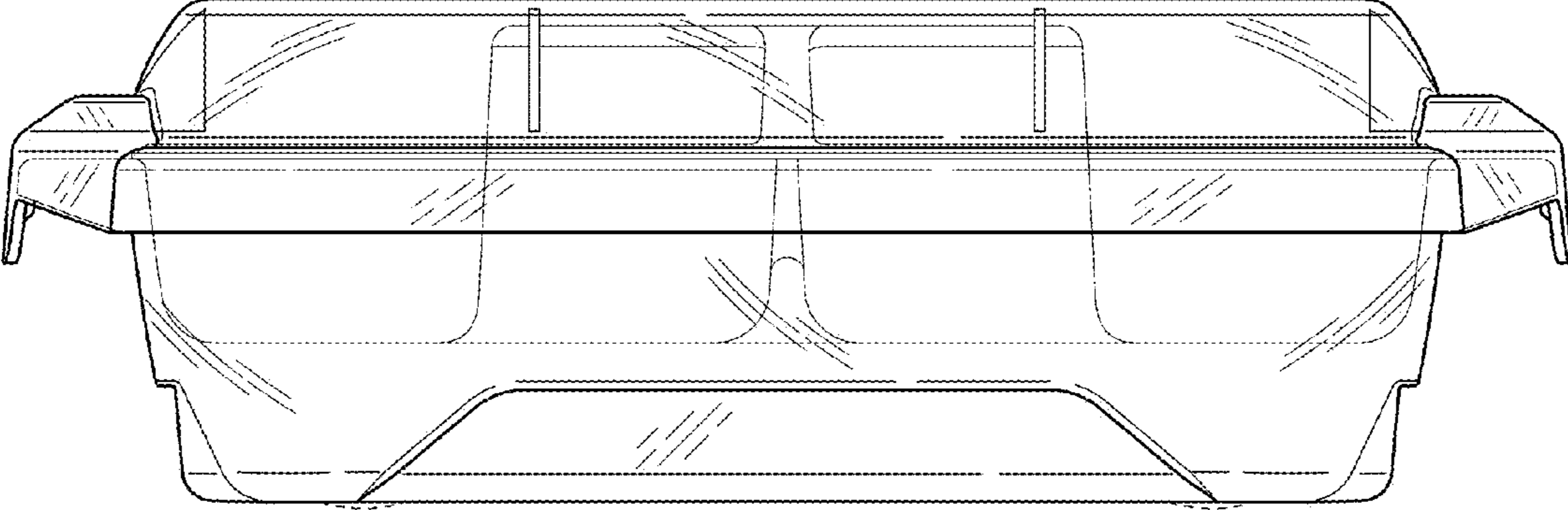


FIG. 2

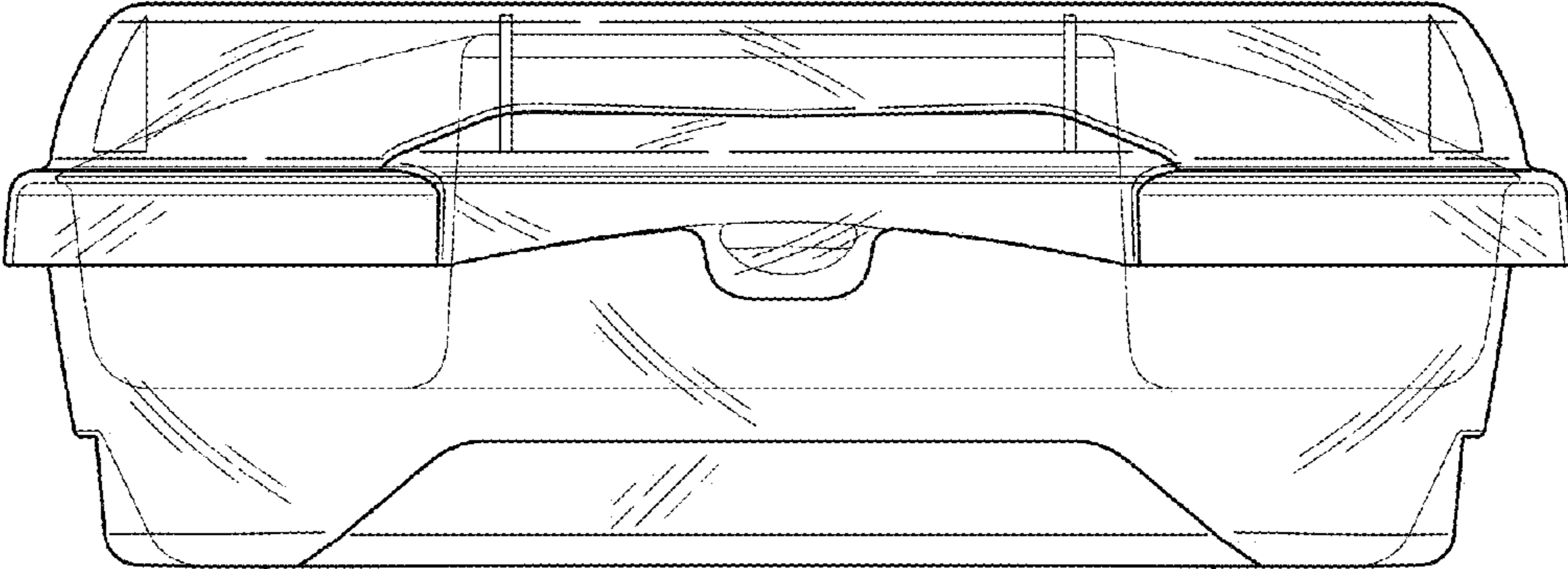


FIG. 3

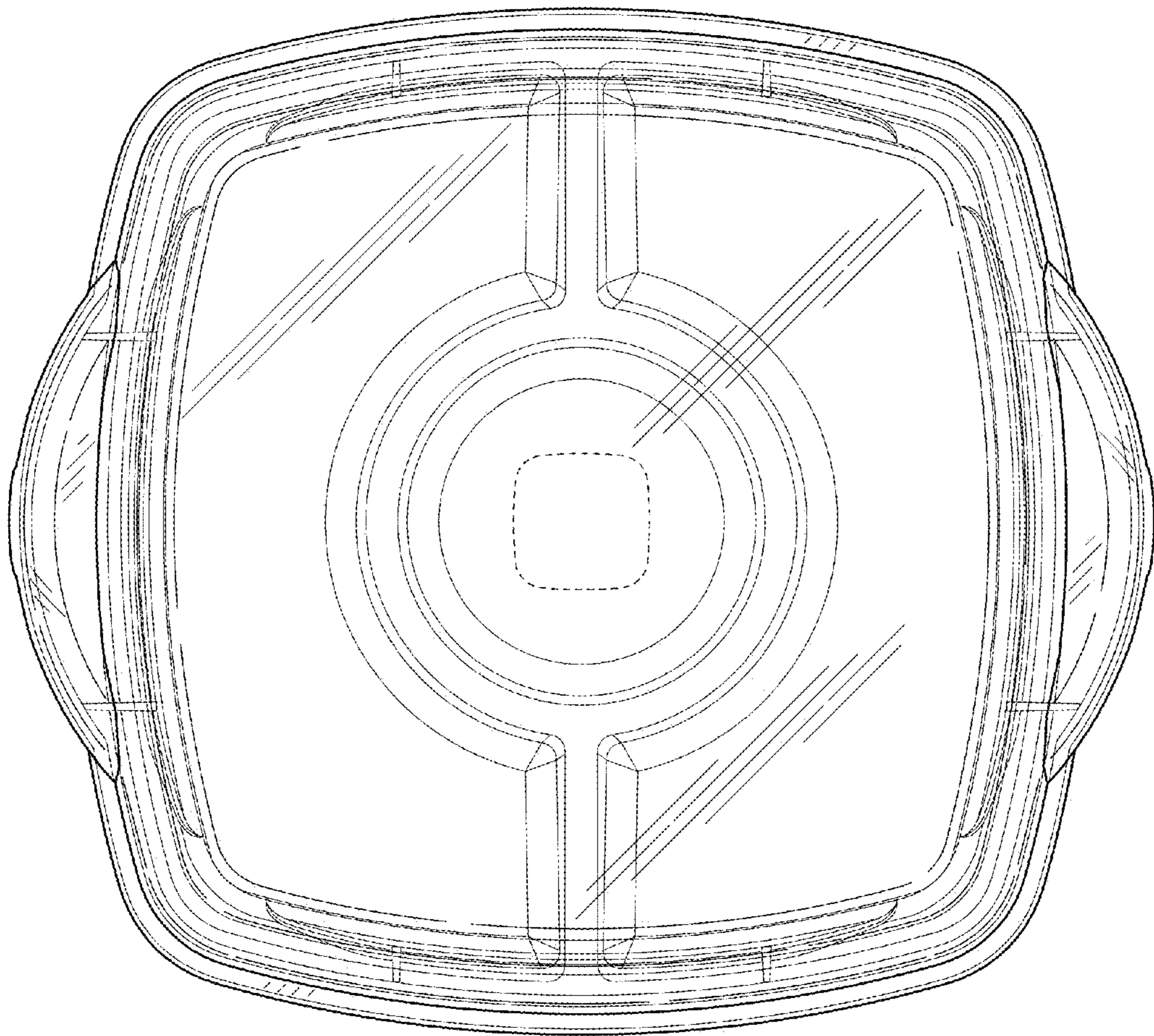


FIG. 4

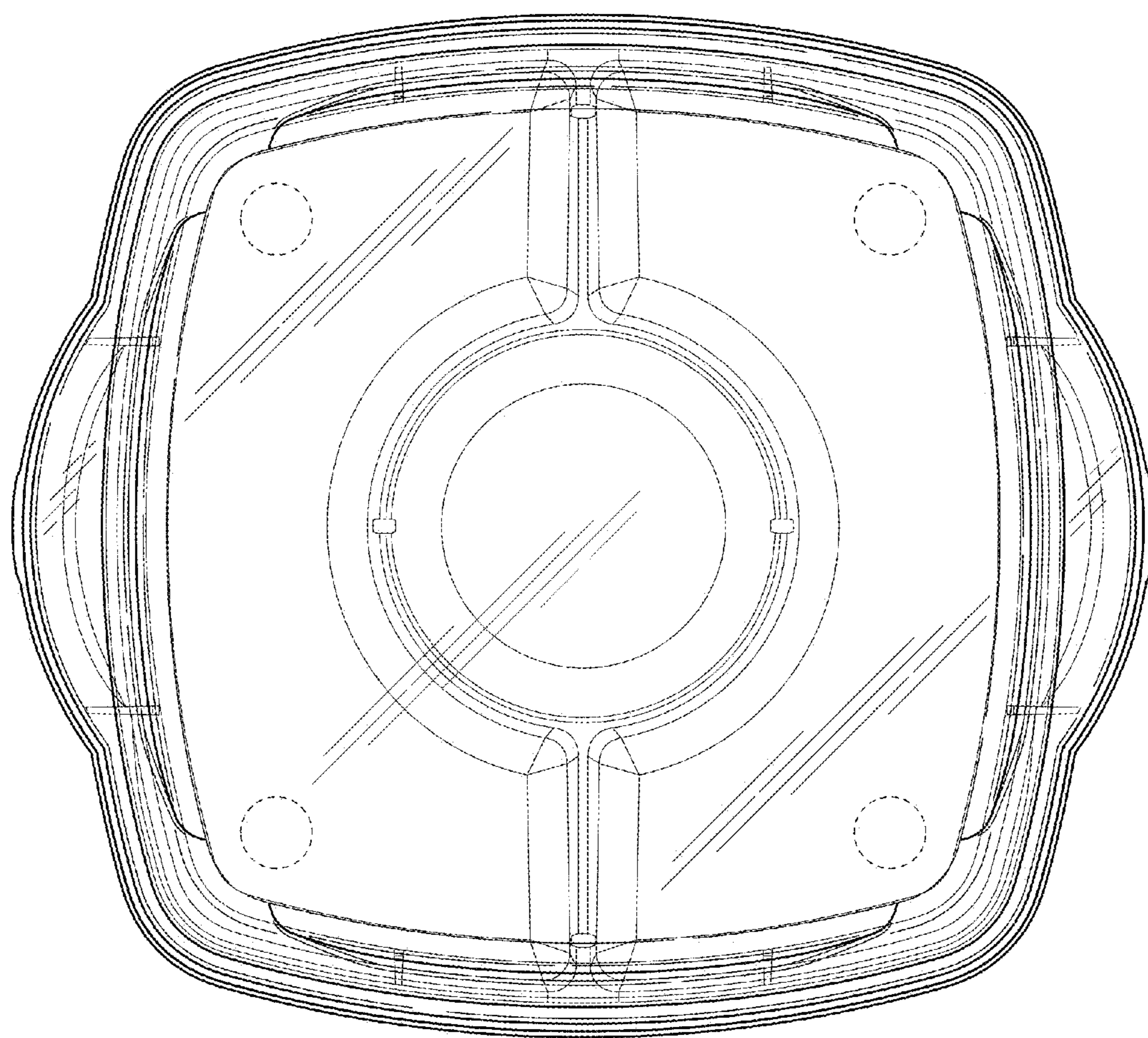


FIG. 5

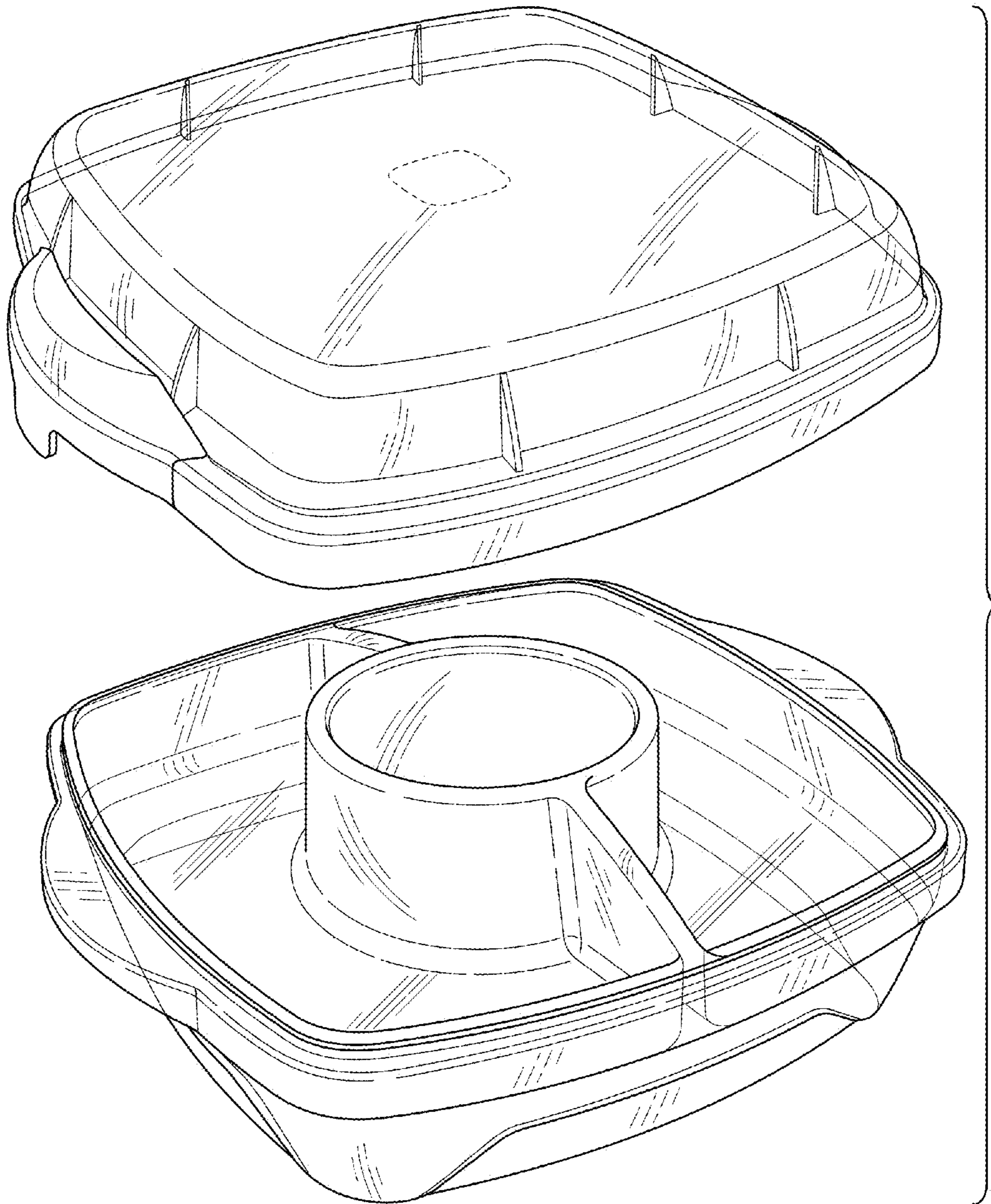


FIG. 6