



US00D737100S

(12) **United States Design Patent**  
**Ross**

(10) **Patent No.:** **US D737,100 S**

(45) **Date of Patent:** **\*\* Aug. 25, 2015**

(54) **DRINKING VESSEL**

(71) Applicant: **Gary Ross**, Oxnard, CA (US)

(72) Inventor: **Gary Ross**, Oxnard, CA (US)

(\*\*) Term: **14 Years**

(21) Appl. No.: **29/473,746**

(22) Filed: **Nov. 25, 2013**

(51) **LOC (10) Cl.** ..... **07-07**

(52) **U.S. Cl.**  
USPC ..... **D7/523**

(58) **Field of Classification Search**  
USPC ..... D7/300, 305, 500, 507, 509, 513, 523,  
D7/541, 555, 601, 602, 605, 619.1, 701,  
D7/703, 706; D9/524, 715, 716, 737, 741;  
206/514, 515, 516; 215/6, 10, 228,  
215/387; 220/500, 504, 506, 507, 592.01,  
220/592.09, 592.16, 592.17, 592.23, 662,  
220/710, 737, 739

See application file for complete search history.

(56) **References Cited**

**U.S. PATENT DOCUMENTS**

3,021,977 A \* 2/1962 Hester ..... 220/718  
D400,398 S \* 11/1998 McNaughton ..... D7/513

6,138,862 A \* 10/2000 Tai ..... 220/592.17  
D539,091 S \* 3/2007 Mansfield ..... D7/513  
D561,534 S \* 2/2008 Marks ..... D7/523  
D631,294 S \* 1/2011 Ross ..... D7/523  
D712,203 S \* 9/2014 Lordi ..... D7/523  
2007/0267424 A1 \* 11/2007 Marks ..... 220/703

\* cited by examiner

*Primary Examiner* — Susan Bennett Hattan

*Assistant Examiner* — Leanne Was

(74) *Attorney, Agent, or Firm* — Thomas I. Rozsa

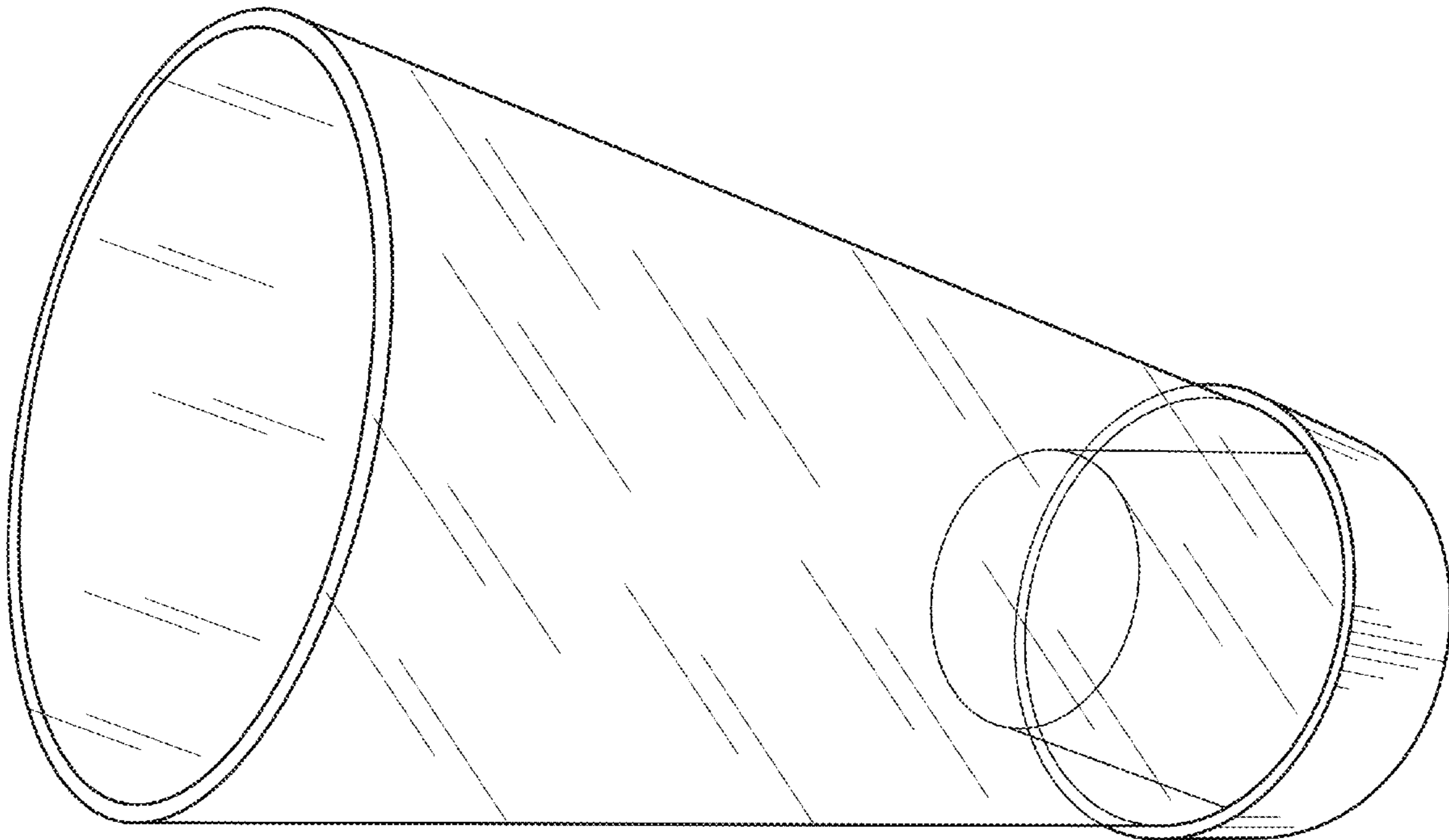
(57) **CLAIM**

The ornamental design for a drinking vessel, as shown and described.

**DESCRIPTION**

FIG. 1 is a top perspective view of the drinking vessel, showing my new design;  
FIG. 2 is a bottom perspective view thereof;  
FIG. 3 is a front view thereof, the rear view being a mirror image thereof;  
FIG. 4 is a top view thereof;  
FIG. 5 is a bottom view thereof; and,  
FIG. 6 is a right side view thereof, the left side view being a mirror image thereof.

**1 Claim, 5 Drawing Sheets**



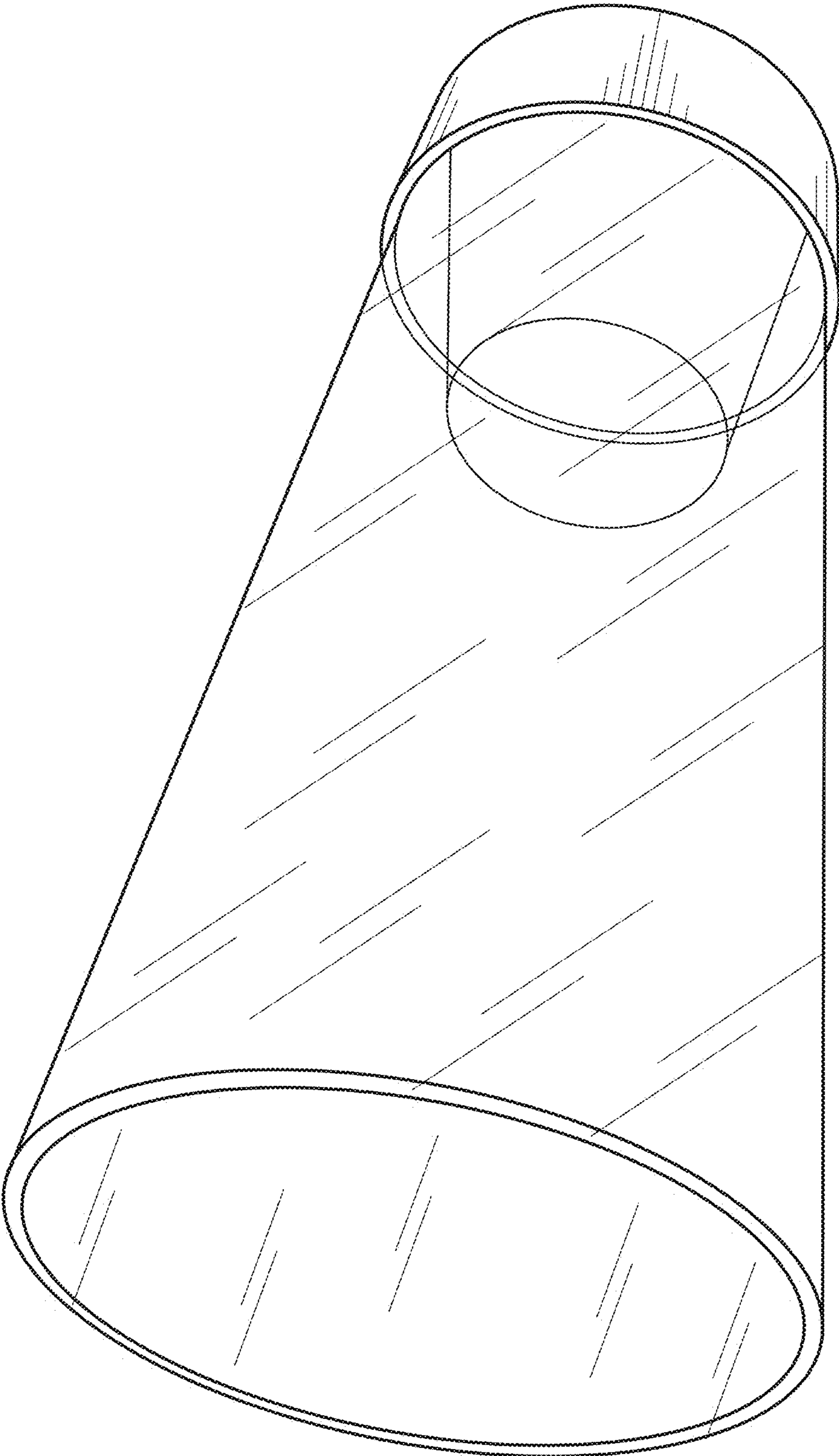


FIG. 1

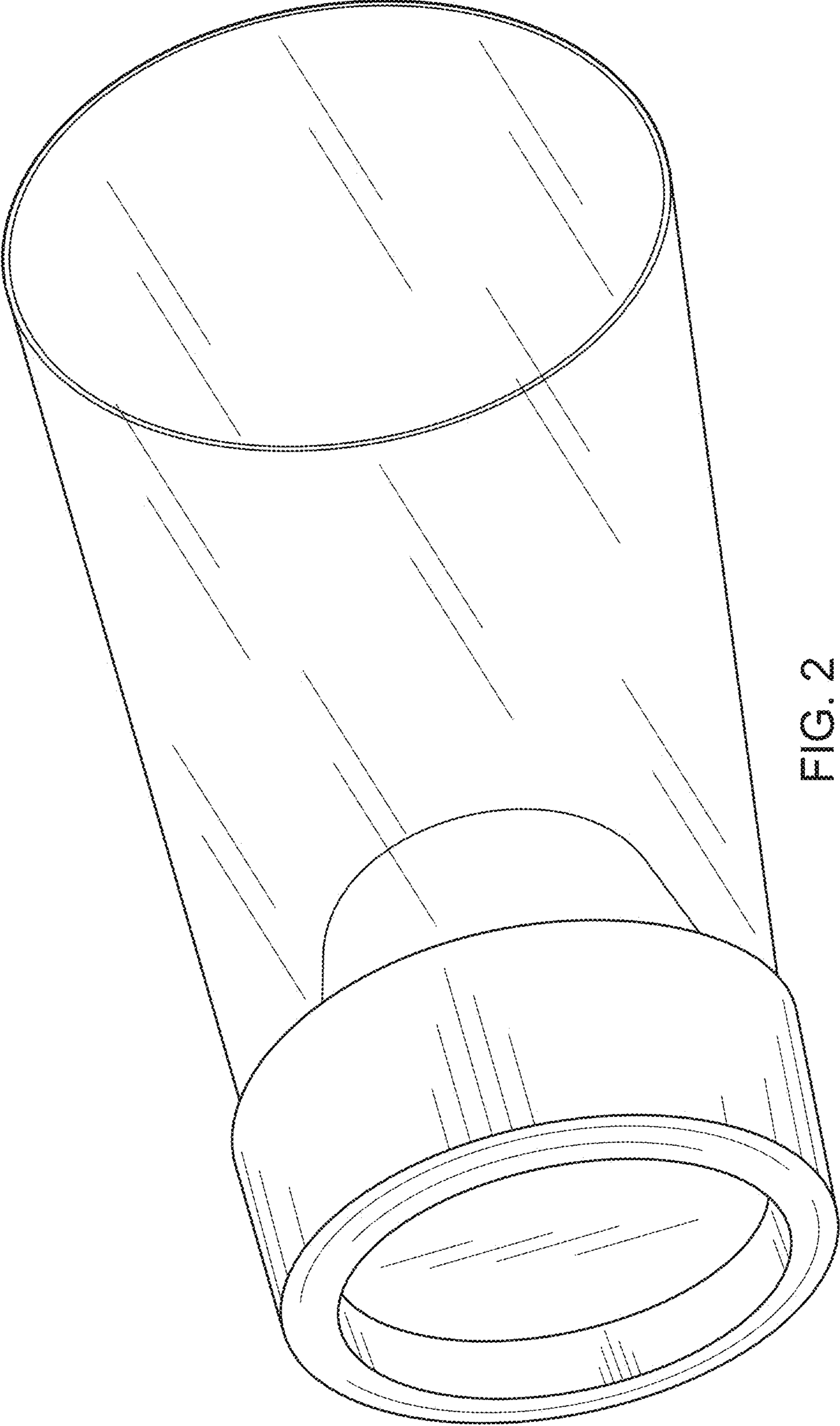


FIG. 2

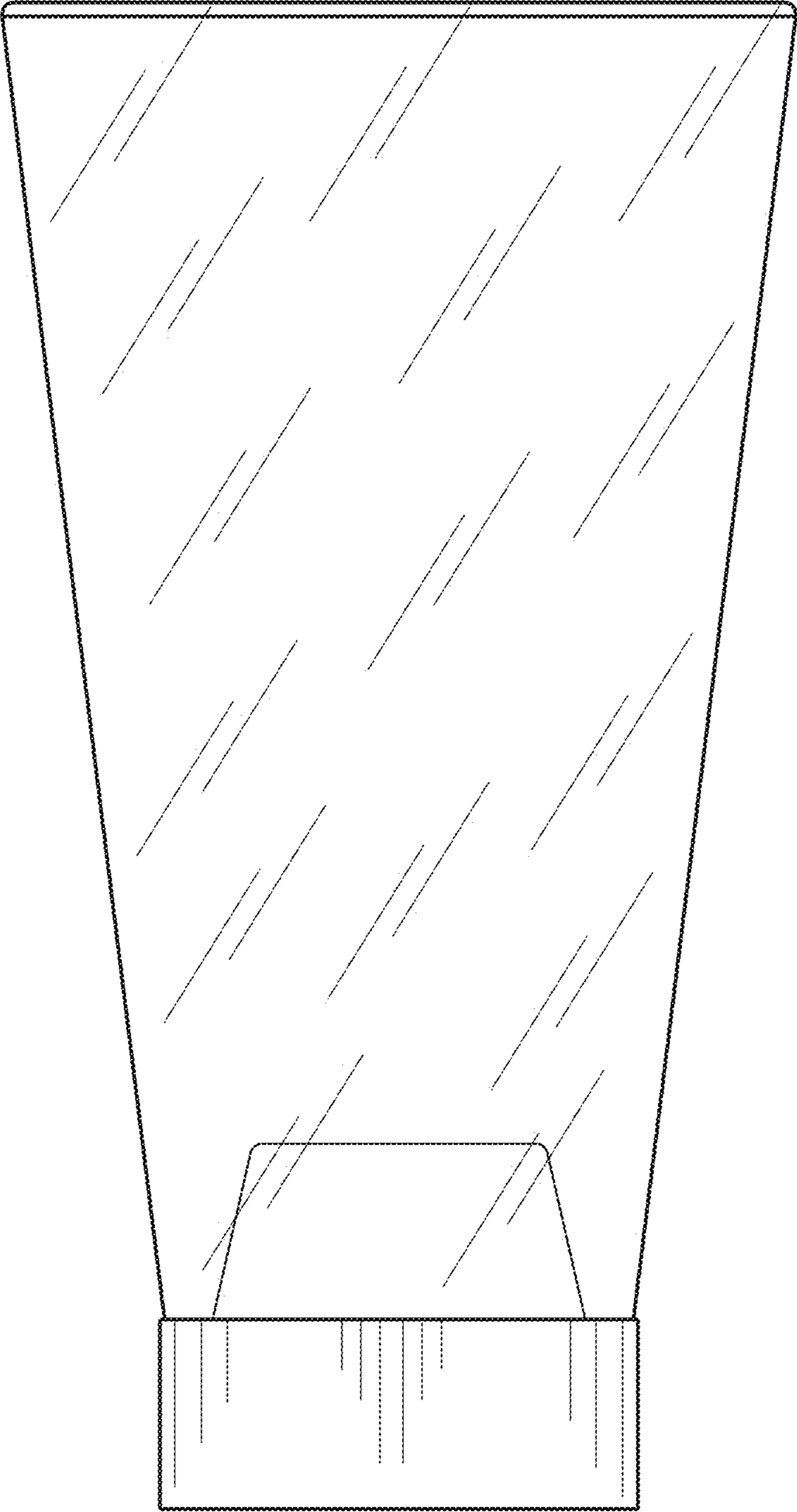


FIG. 3



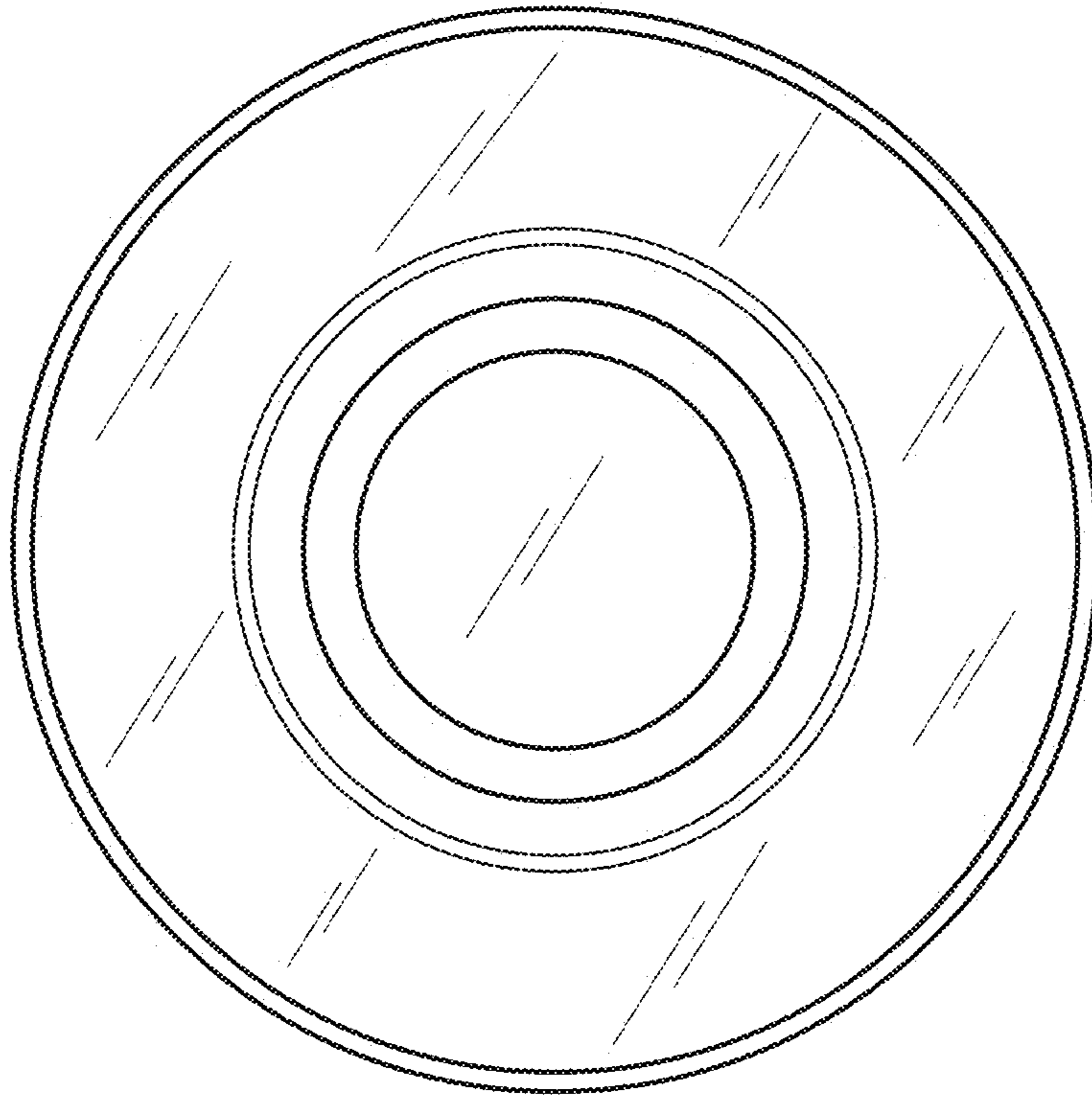


FIG. 4

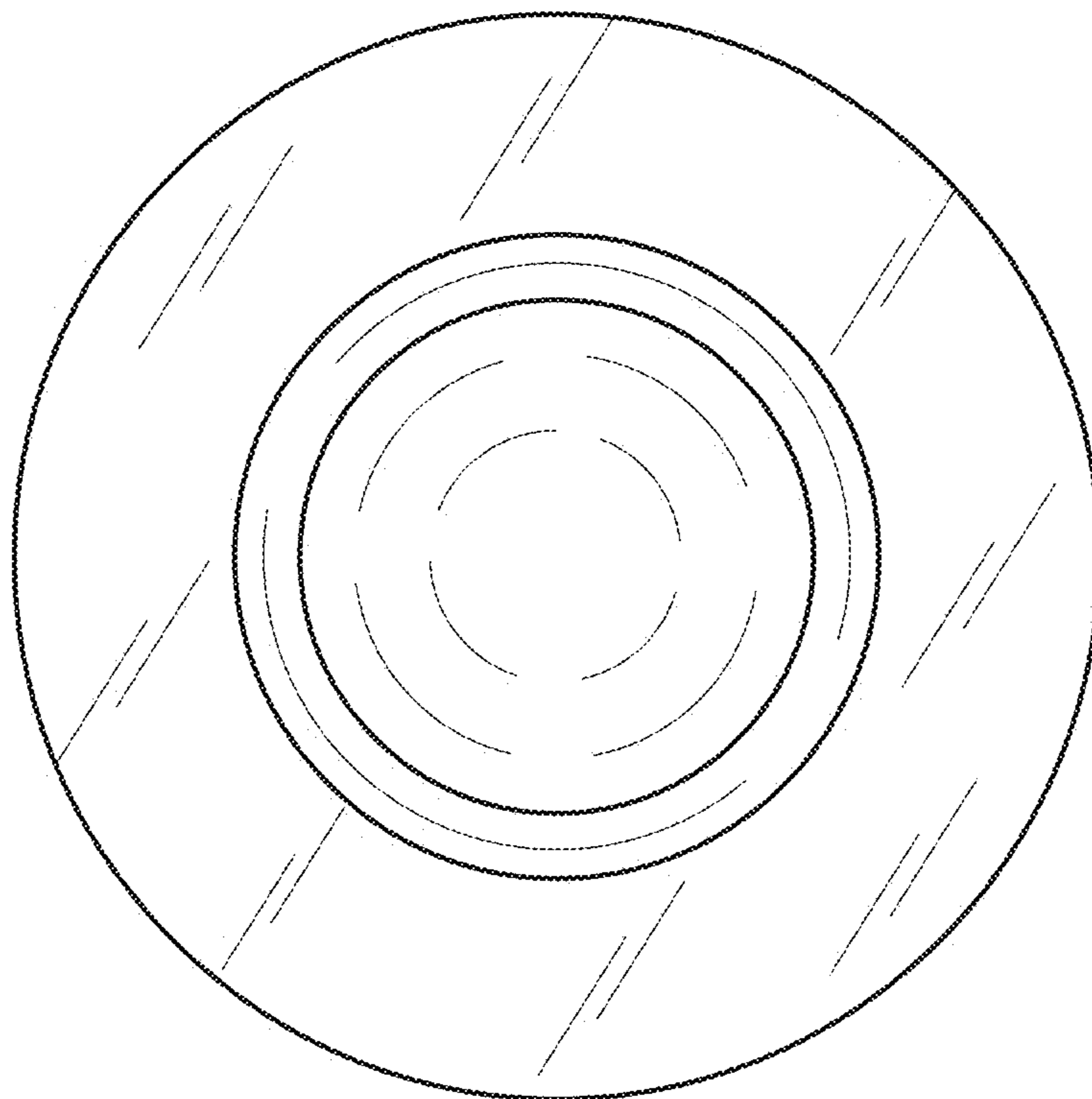


FIG. 5

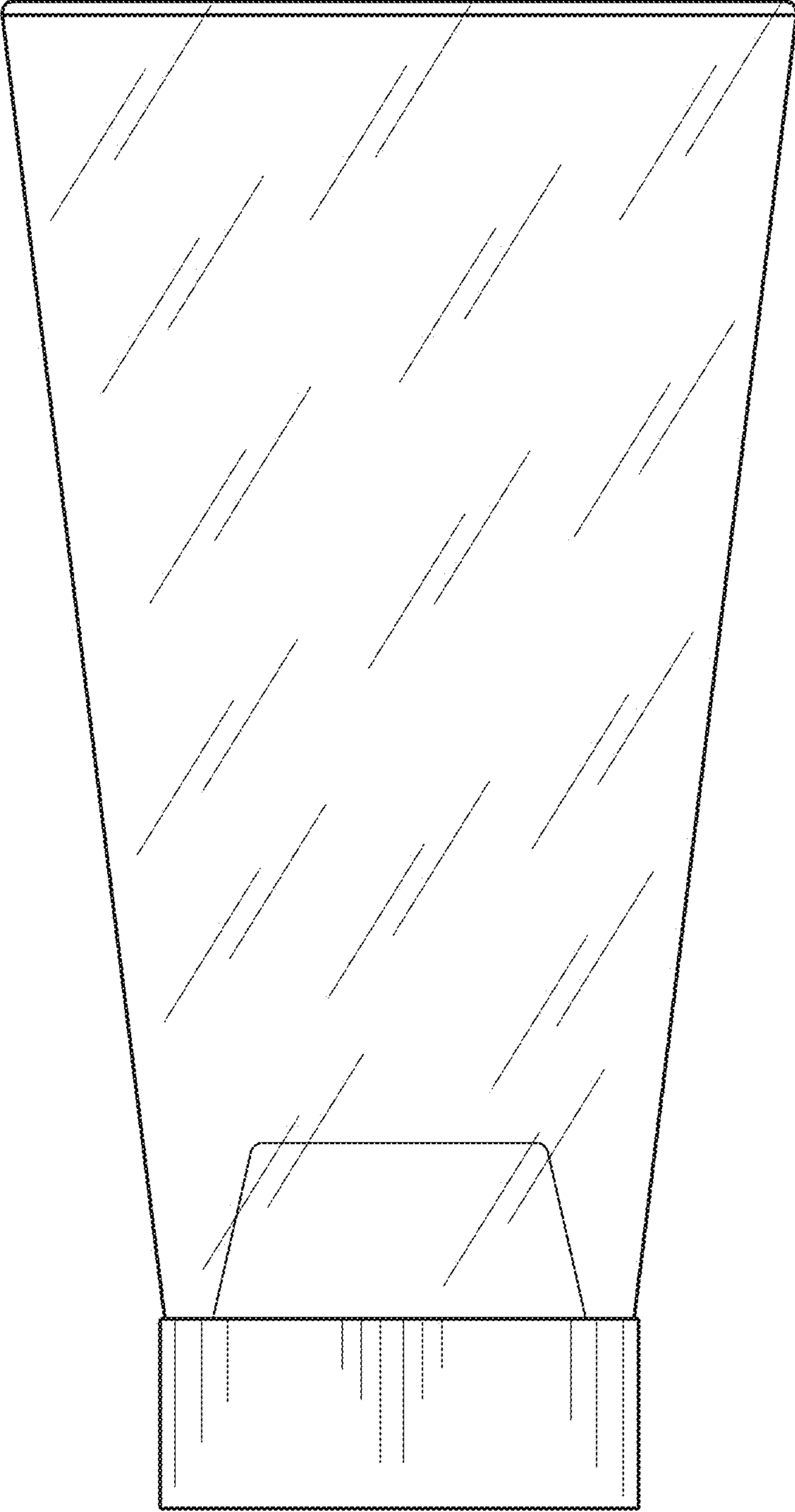


FIG. 6