



US00D737099S

(12) **United States Design Patent**
Marshall

(10) **Patent No.:** **US D737,099 S**

(45) **Date of Patent:** **** Aug. 25, 2015**

(54) **RECTANGULAR DINNERWARE AND ACCESSORY PIECES**

(71) Applicant: **Linette E. Marshall**, Cutler Bay, FL (US)

(72) Inventor: **Linette E. Marshall**, Cutler Bay, FL (US)

(**) Term: **14 Years**

(21) Appl. No.: **29/490,725**

(22) Filed: **May 13, 2014**

(51) **LOC (10) Cl.** **07-01**

(52) **U.S. Cl.**
USPC **D7/505**; D7/500; D7/507

(58) **Field of Classification Search**
USPC D7/300.1, 510, 511, 524, 537, 514, 515, D7/517, 523, 509, 554.3, 505, 584, 500, D7/507; 215/388; 220/703, 705, 713, 711, 220/574, 575, 23.2; D9/629
CPC ... A47G 19/22; A47G 19/2222; A47G 19/00; B65D 21/02
See application file for complete search history.

(56) **References Cited**

U.S. PATENT DOCUMENTS

D127,800 S * 6/1941 Hayt D26/10
D162,389 S * 3/1951 Corpora D7/505

D167,206 S * 7/1952 Gruen D7/554.3
D169,064 S * 3/1953 Gruen D7/545
D331,173 S * 11/1992 Durand D7/523
D478,477 S * 8/2003 Tisdale et al. D7/586
D481,262 S * 10/2003 Tisdale et al. D7/586
D484,002 S * 12/2003 Carlson D7/584
D493,670 S * 8/2004 De Neubourg D7/554.3
D566,467 S * 4/2008 Starck D7/505
D568,672 S * 5/2008 Craig et al. D7/346
D640,099 S * 6/2011 Marshall D7/584
D682,038 S * 5/2013 Jones D7/556
D718,981 S * 12/2014 Katterheinrich et al. ... D7/550.1
D727,790 S * 4/2015 Ramadan D11/155

* cited by examiner

Primary Examiner — Marianne Pandozzi

(74) *Attorney, Agent, or Firm* — Lawrence J. Gibney, Jr.

(57) **CLAIM**

The ornamental design for rectangular dinnerware and accessory pieces, as shown and described.

DESCRIPTION

FIG. 1 is a front view of a set of rectangular dinnerware and accessory pieces showing my new design; FIG. 2 is a right side view thereof; FIG. 3 is a left side view thereof; FIG. 4 is a top plan view thereof; FIG. 5 is a bottom plan view thereof; and, FIG. 6 is a perspective view thereof.

1 Claim, 6 Drawing Sheets

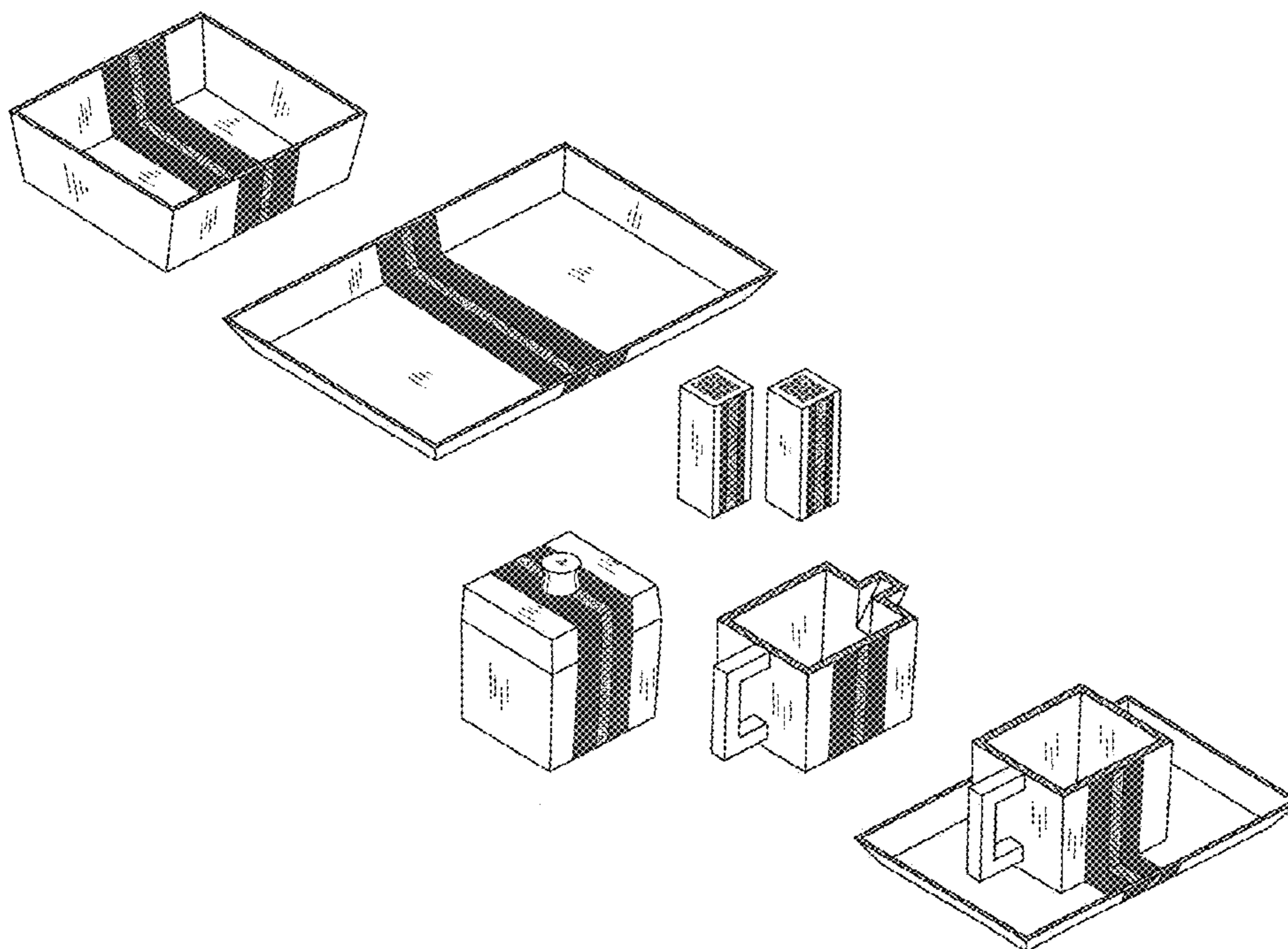
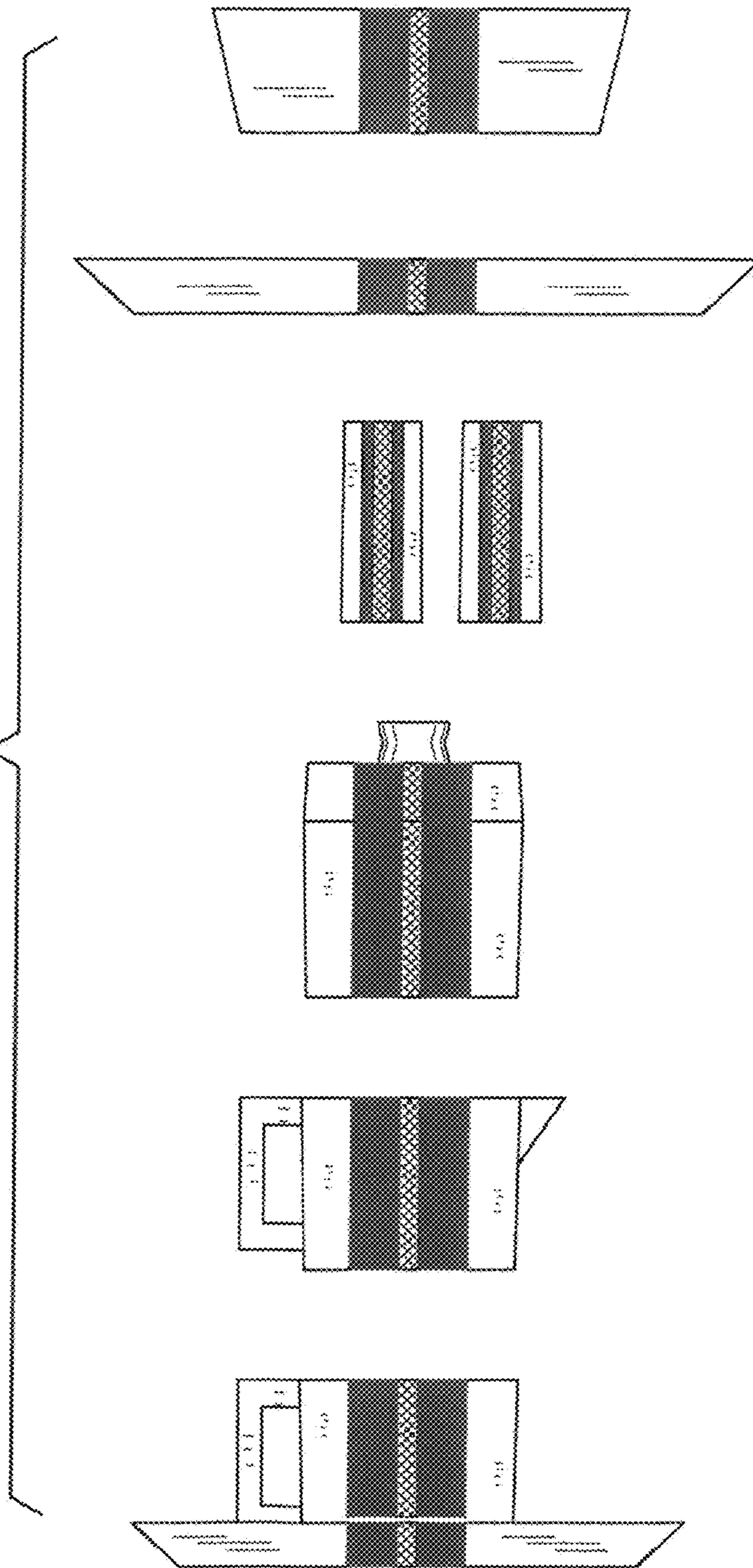
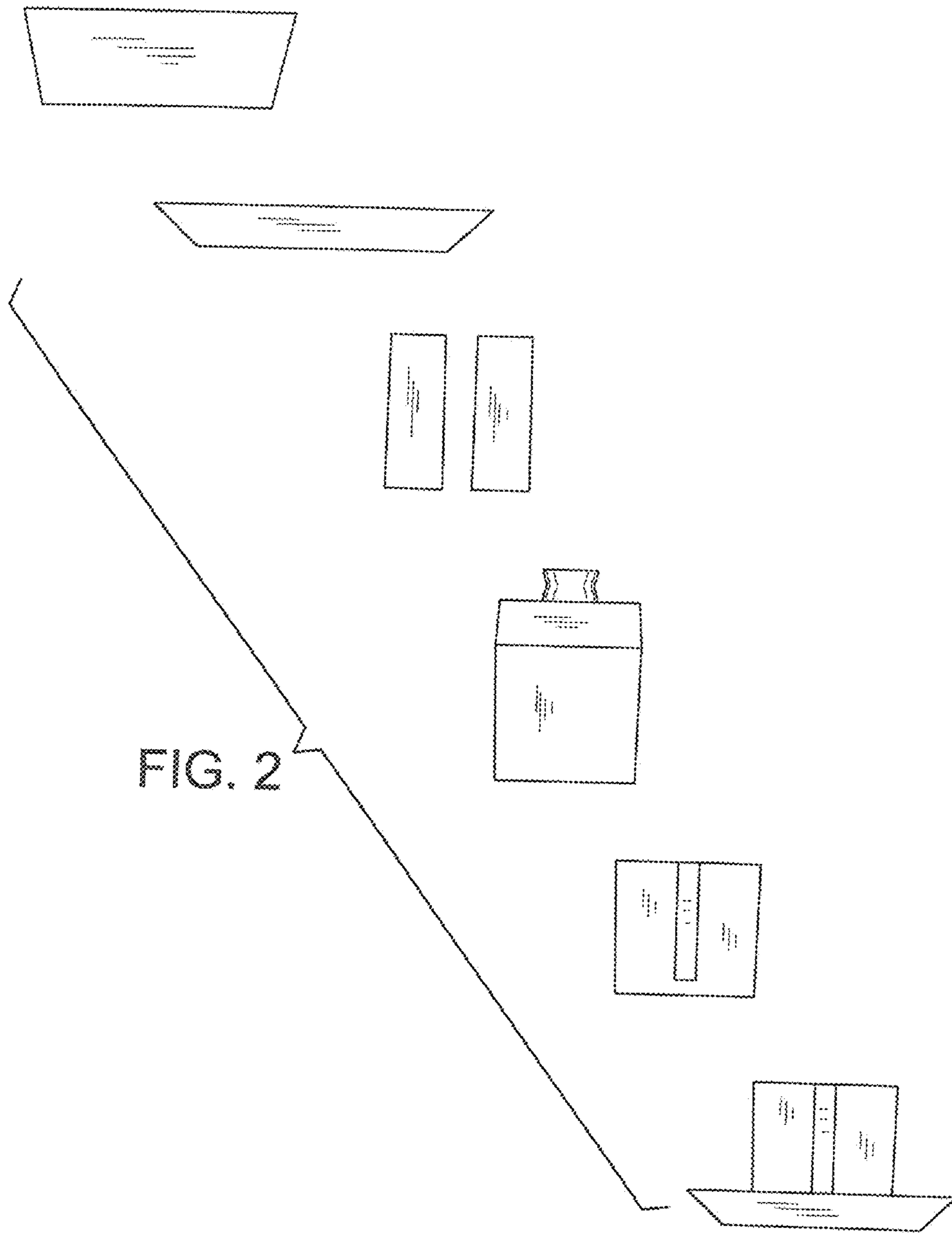


FIG. 1





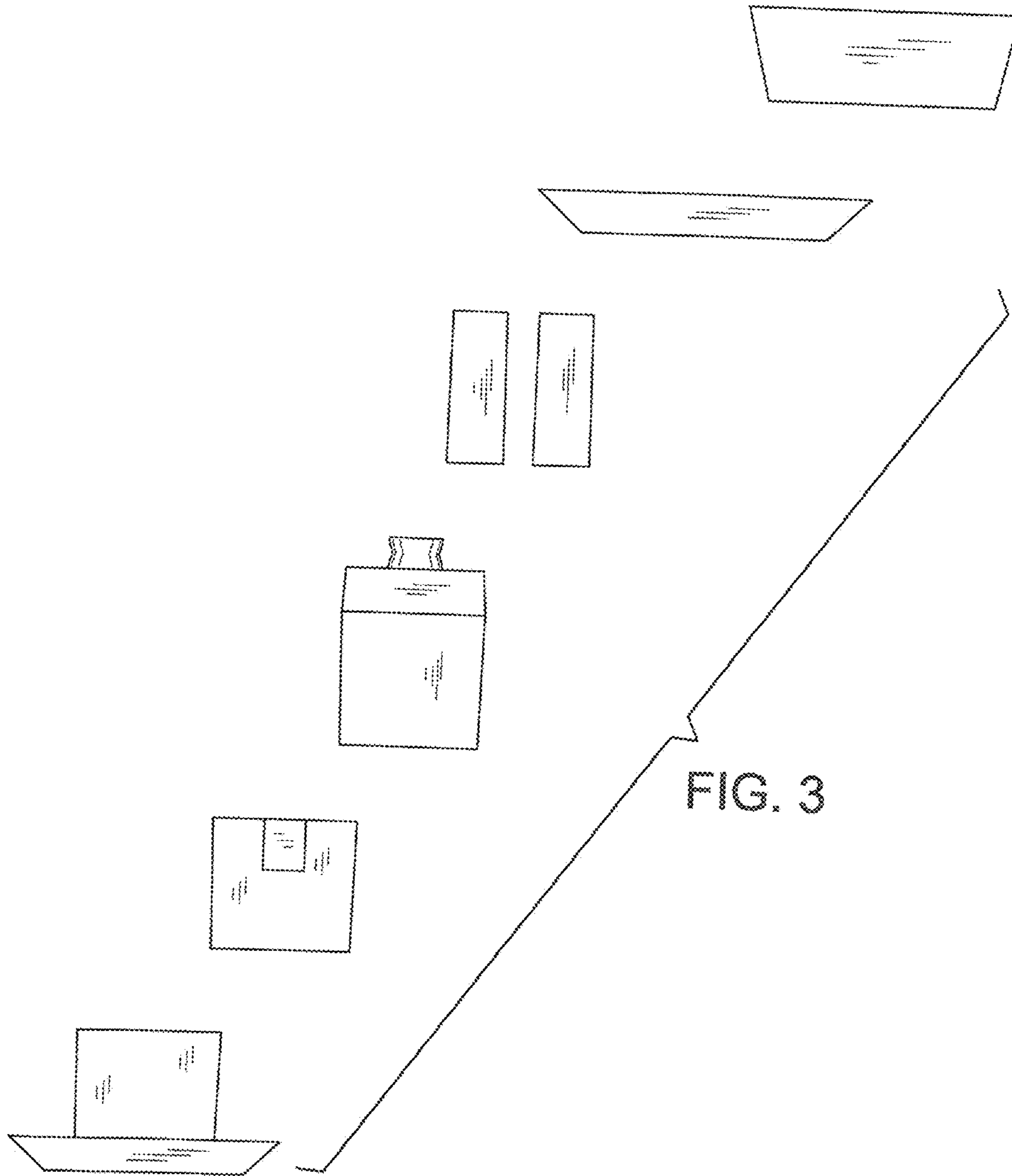


FIG. 3

FIG. 4

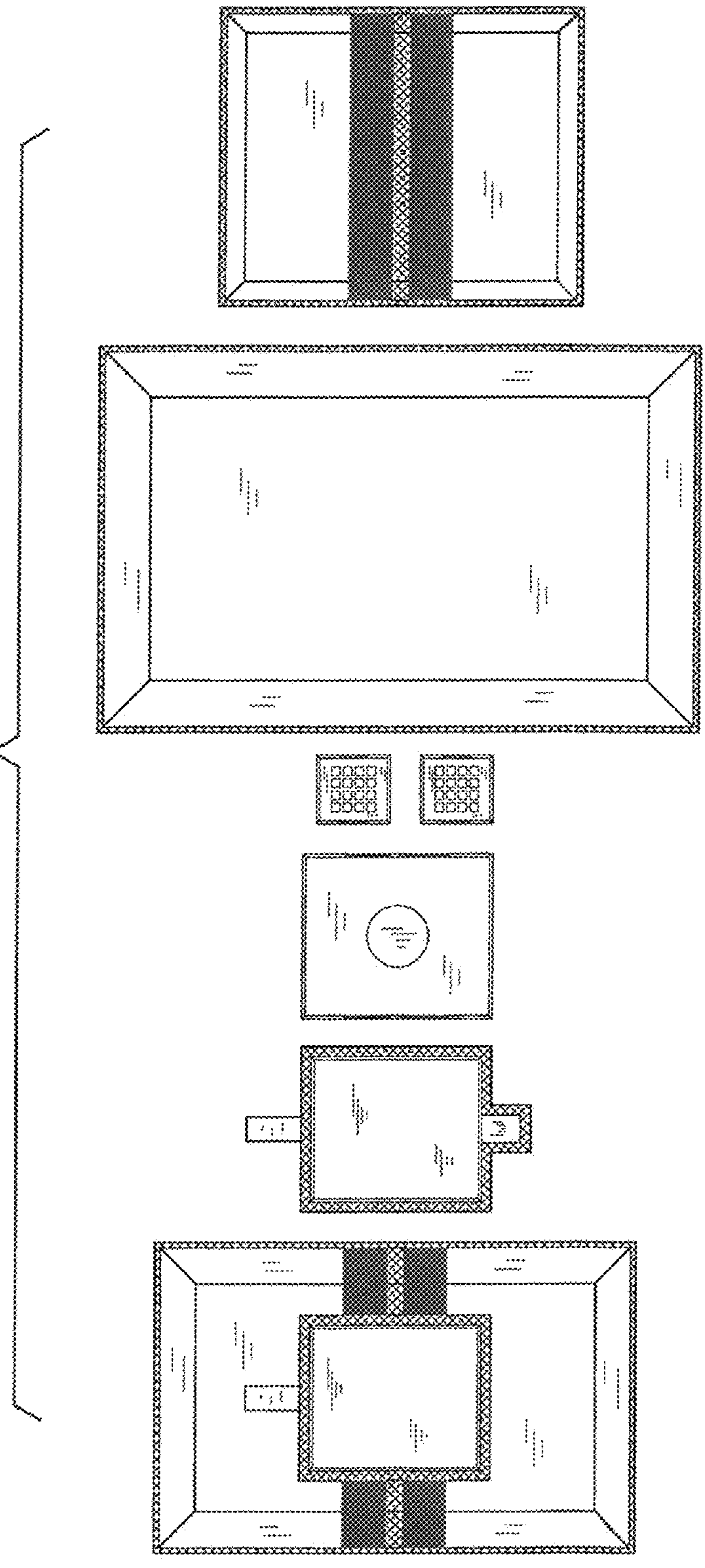
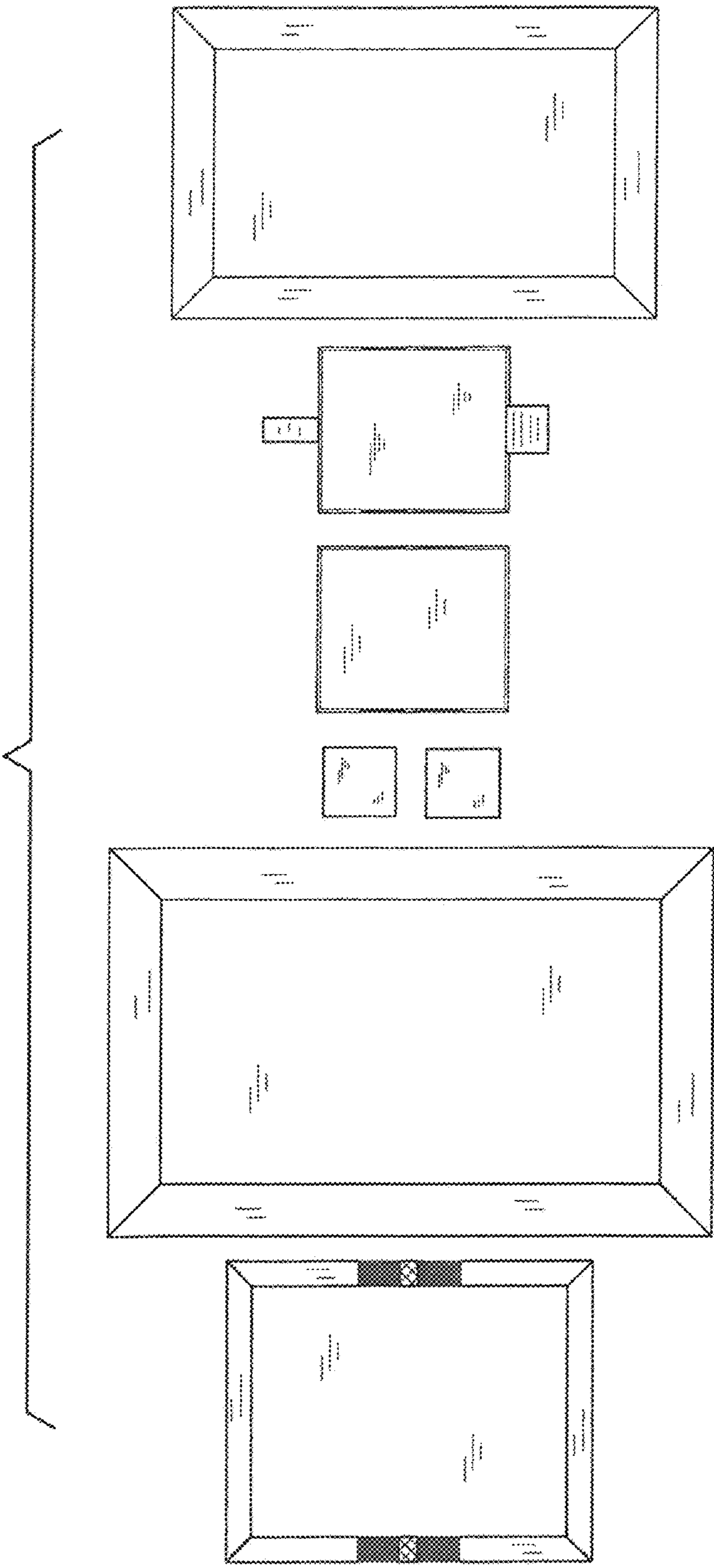


FIG. 5



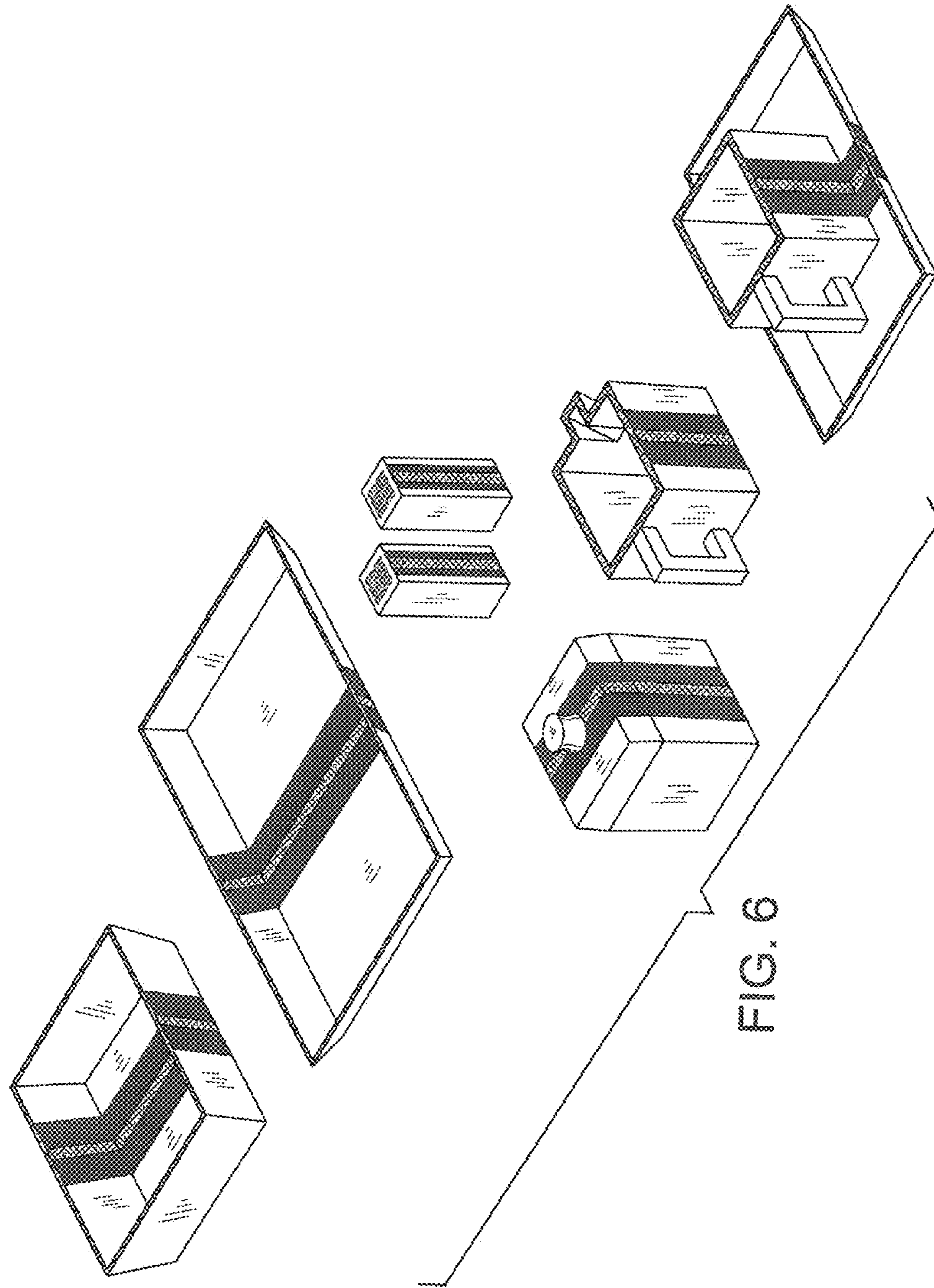


FIG. 6