



US00D737096S

(12) **United States Design Patent**  
**Lee et al.**

(10) **Patent No.:** **US D737,096 S**  
(45) **Date of Patent:** **\*\* Aug. 25, 2015**

(54) **GRILL LID**

(71) Applicant: **The Coleman Company, Inc.**, Wichita, KS (US)

(72) Inventors: **Chad Lee**, Arlington, TX (US); **Mitch Wilgus**, Wichita, KS (US)

(73) Assignee: **The Coleman Company, Inc.**, Wichita, KS (US)

(\*\*) Term: **14 Years**

(21) Appl. No.: **29/472,260**

(22) Filed: **Nov. 11, 2013**

(51) **LOC (10) Cl.** ..... **02-03**

(52) **U.S. Cl.**  
USPC ..... **D7/402**

(58) **Field of Classification Search**  
USPC ..... D7/332, 334-337, 402-406; 126/25 R,  
126/25 A, 25 AA, 9 R, 38, 41 R, 40, 50, 276;  
99/449

See application file for complete search history.

(56) **References Cited**

**U.S. PATENT DOCUMENTS**

D386,937 S \* 12/1997 Pai ..... D7/334  
D504,048 S \* 4/2005 Joss et al. .... D7/402

D557,558 S \* 12/2007 Chau et al. .... D7/402  
D559,620 S \* 1/2008 Bachinski et al. .... D7/402  
D562,629 S \* 2/2008 Chau et al. .... D7/402  
D586,615 S \* 2/2009 Lee ..... D7/402  
D604,557 S \* 11/2009 Lee ..... D7/402  
D615,799 S \* 5/2010 Best et al. .... D7/337  
D638,661 S \* 5/2011 Schroeter ..... D7/402  
D658,928 S \* 5/2012 Mohr ..... D7/335  
D688,517 S \* 8/2013 Eilgus ..... D7/402  
D695,055 S \* 12/2013 Measom et al. .... D7/332  
RE44,770 E \* 2/2014 Nichols et al. .... D7/402

\* cited by examiner

*Primary Examiner* — Ruth McInroy

(57) **CLAIM**

The ornamental design for a grill lid, as shown and described.

**DESCRIPTION**

FIG. 1 is a front perspective view of a grill lid showing our new design;

FIG. 2 is a front elevation view thereof;

FIG. 3 is a rear elevation view thereof;

FIG. 4 is a left side elevation view thereof;

FIG. 5 is a right side elevation view thereof; and,

FIG. 6 is a top plan view thereof.

The broken line showing is for illustrative purposes only and forms no part of the claimed design.

**1 Claim, 2 Drawing Sheets**

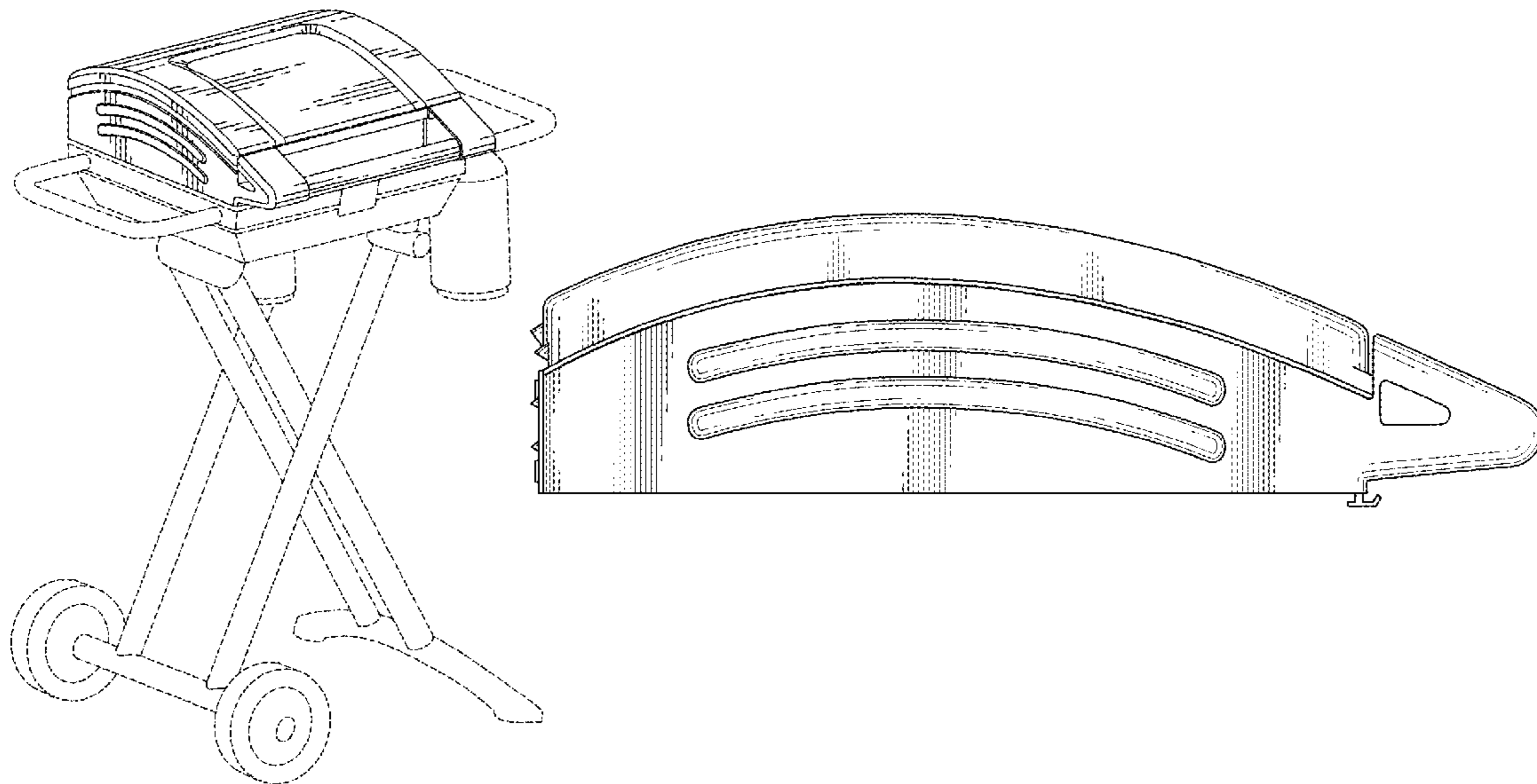


FIG. 1

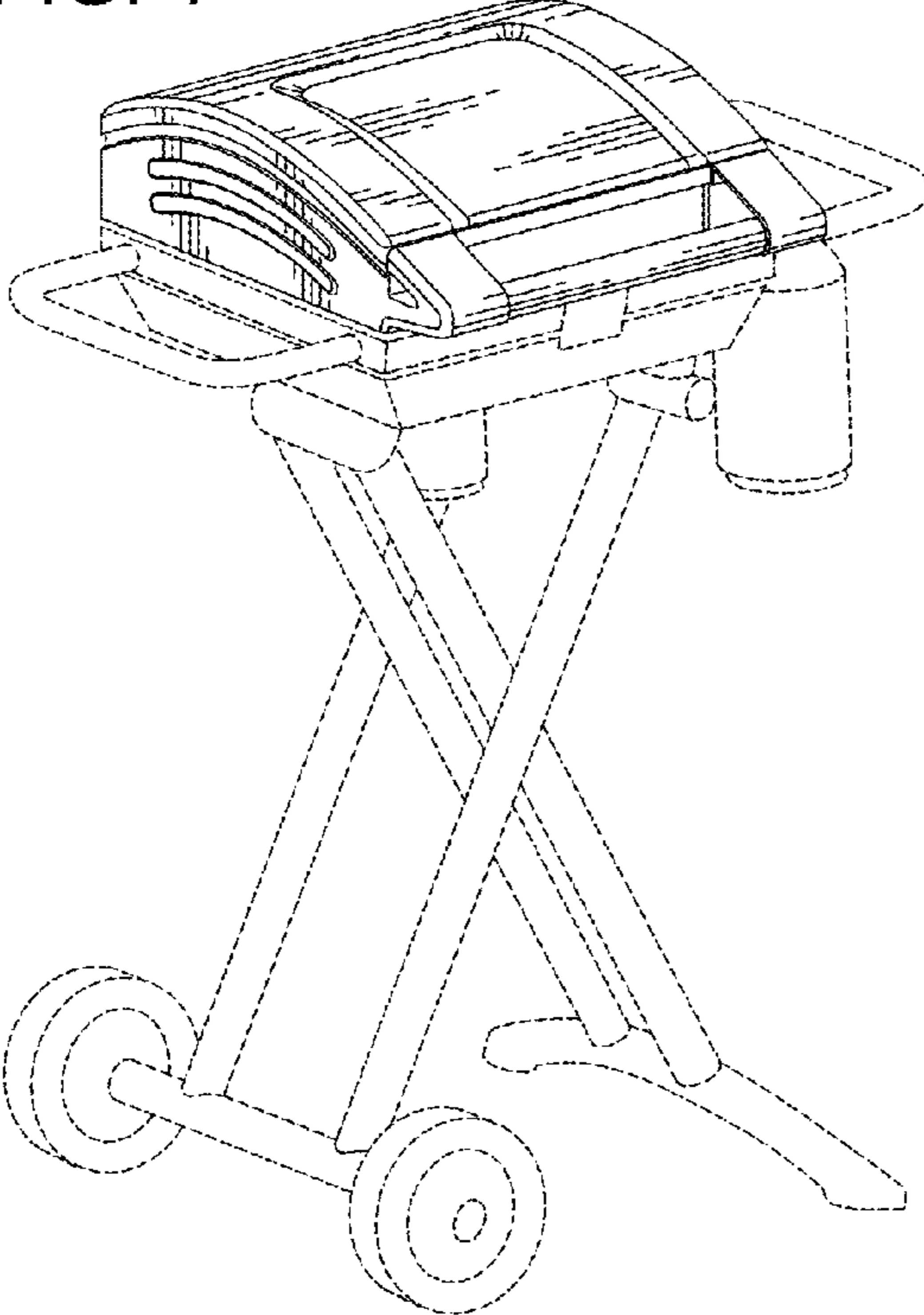


FIG. 2

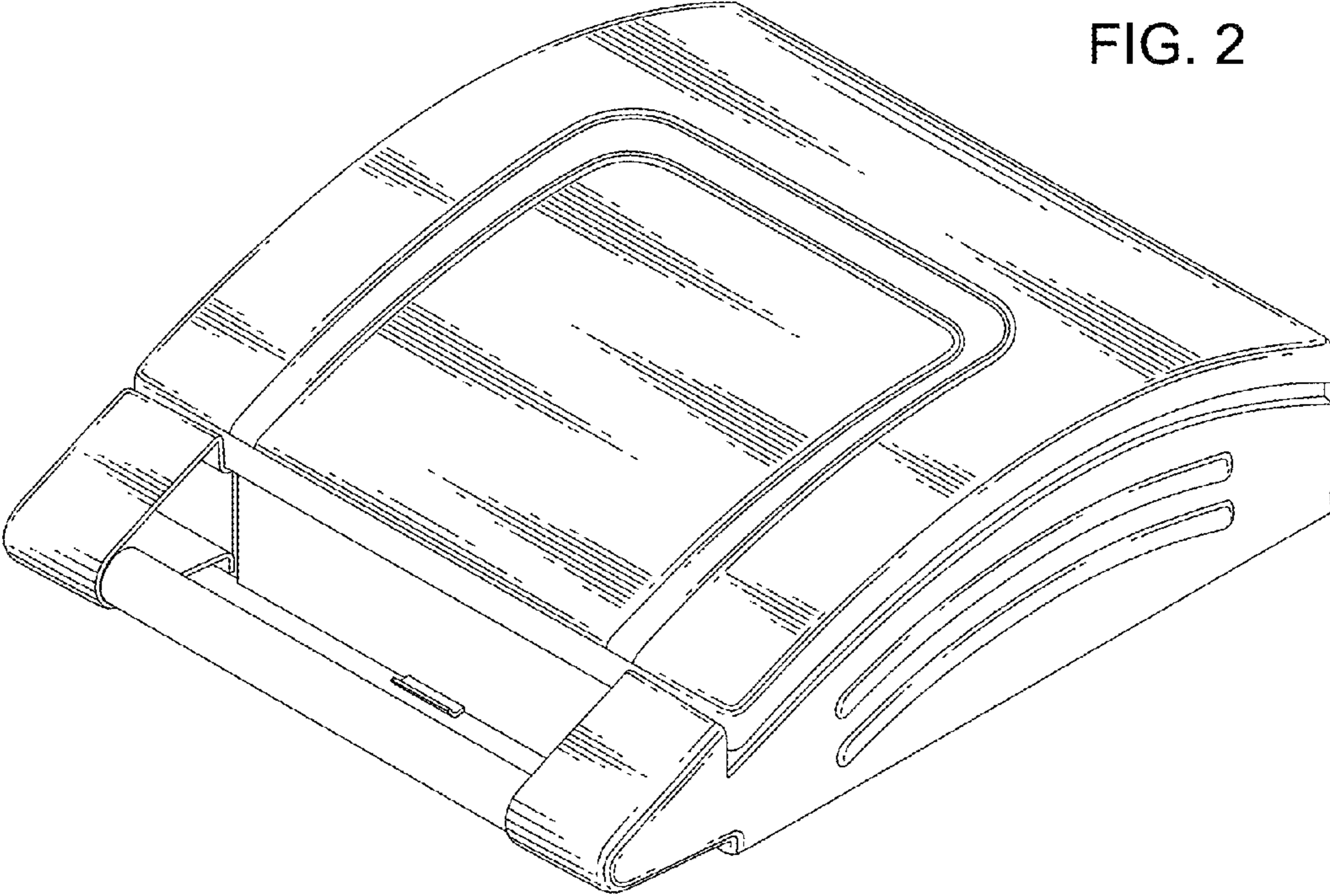


FIG. 3

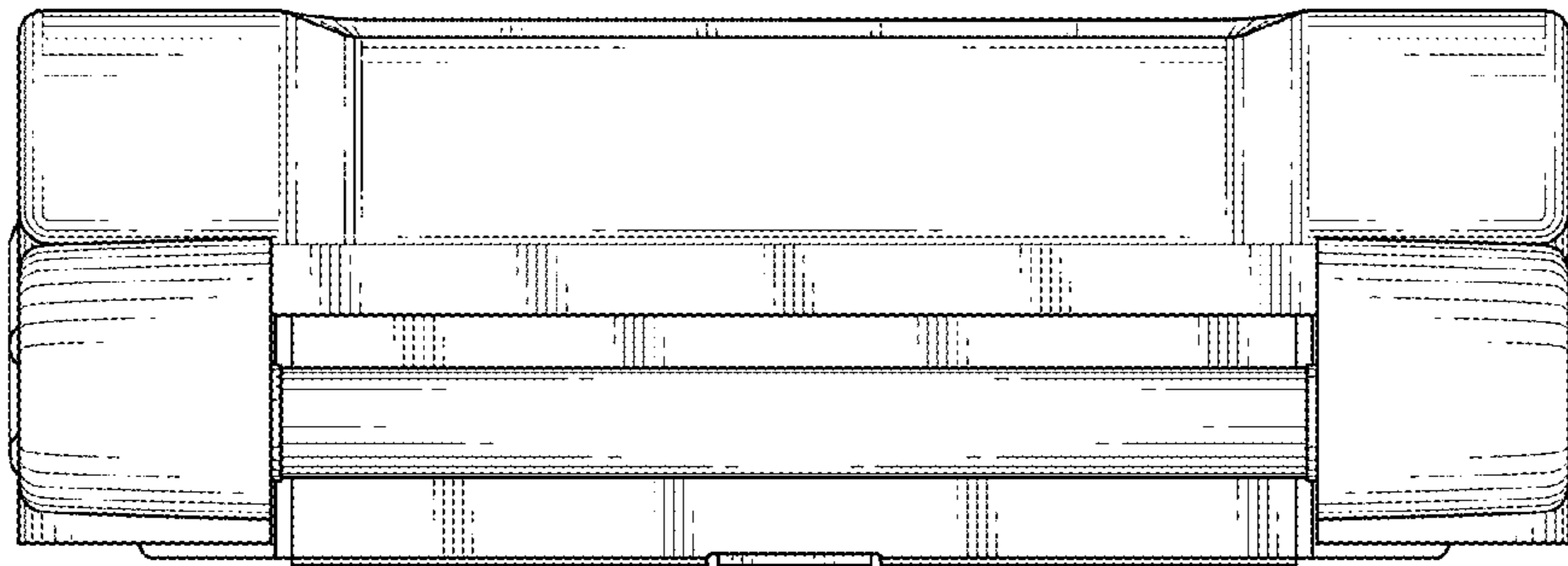


FIG. 4

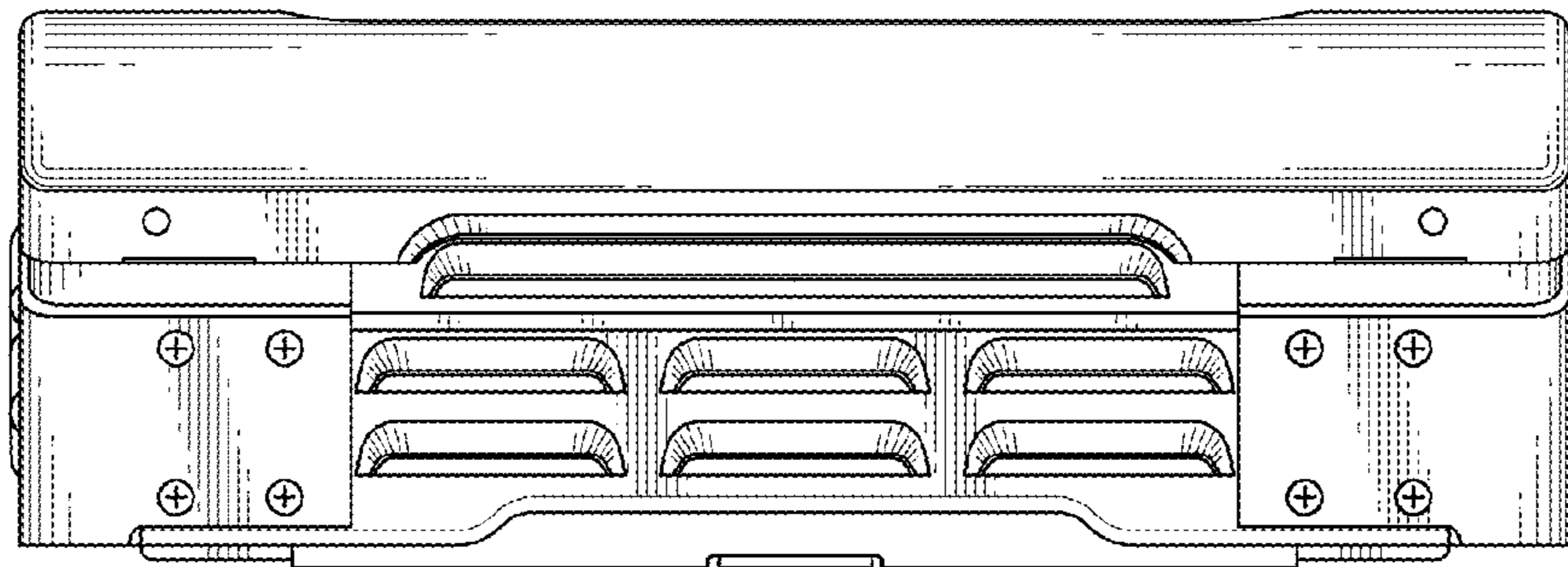


FIG. 5

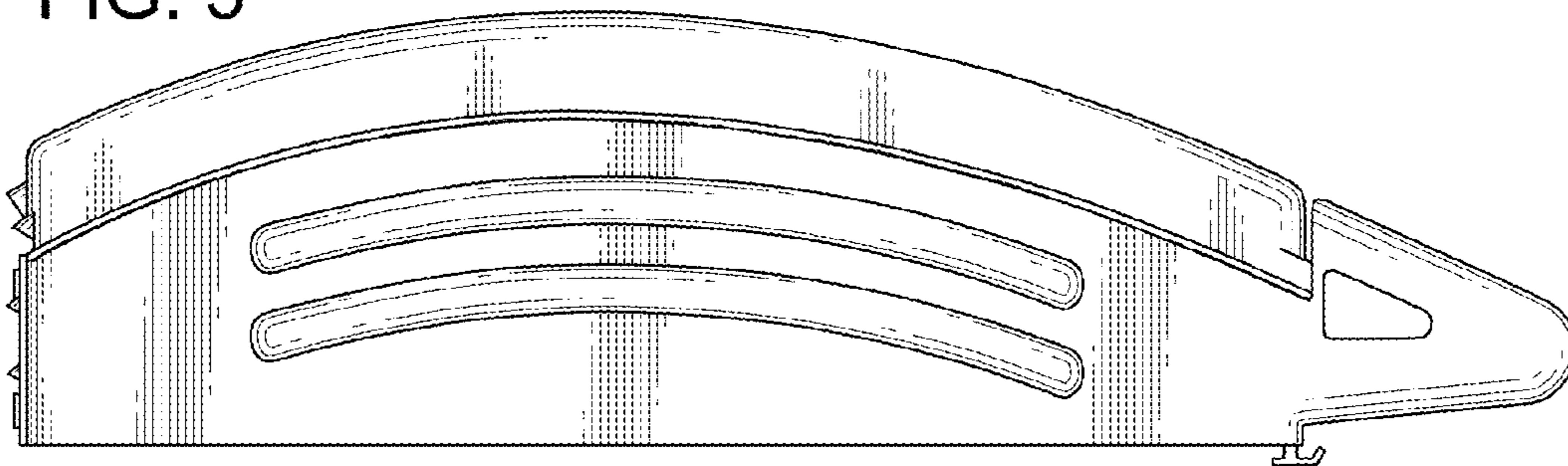


FIG. 6

