



US00D737092S

(12) **United States Design Patent**
Lin

(10) **Patent No.:** **US D737,092 S**

(45) **Date of Patent:** **** *Aug. 25, 2015**

(54) **GRILL**

(71) Applicant: **China Window Industry Co., Ltd.,**
Shenzhen (CN)

(72) Inventor: **Chih Jen Lin, Shenzhen (CN)**

(73) Assignee: **China Window Industy Co., Ltd.,**
Shenzhen (CN)

(*) Notice: This patent is subject to a terminal disclaimer.

(**) Term: **14 Years**

(21) Appl. No.: **29/466,924**

(22) Filed: **Sep. 13, 2013**

(51) **LOC (10) Cl.** **07-02**

(52) **U.S. Cl.**

USPC **D7/334**

(58) **Field of Classification Search**

USPC D7/332, 334-337, 402-406; 126/25 R,
126/25 A, 25 AA, 9 R, 38, 41 R, 40, 50, 276;
99/449

See application file for complete search history.

(56) **References Cited**

U.S. PATENT DOCUMENTS

D463,709 S * 10/2002 Bossler D7/334
D480,906 S * 10/2003 Pai D7/334

D485,116 S * 1/2004 Kwok D7/334
D614,435 S * 4/2010 Lin D7/334
D618,486 S * 6/2010 Bruno et al. D7/334
D680,366 S * 4/2013 Chung D7/334
D687,667 S * 8/2013 Chien et al. D7/334
D688,082 S * 8/2013 Crick D7/334
D688,083 S * 8/2013 Crick D7/337
2013/0074822 A1 * 3/2013 Chien et al. 126/25 R

* cited by examiner

Primary Examiner — Ruth McInroy

(74) *Attorney, Agent, or Firm* — Garcia-Zamor IP Law; Ruy M. Garcia-Zamor

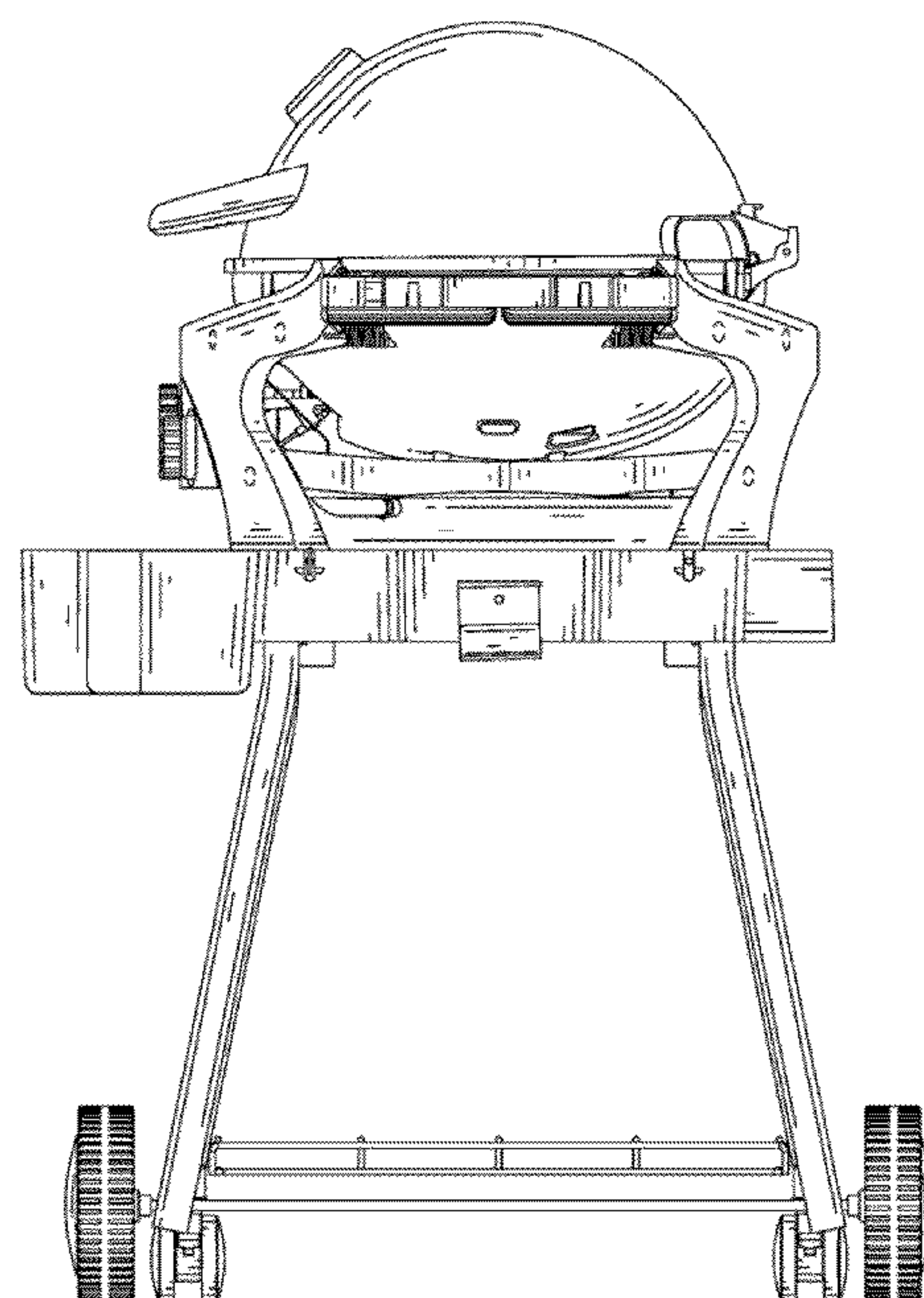
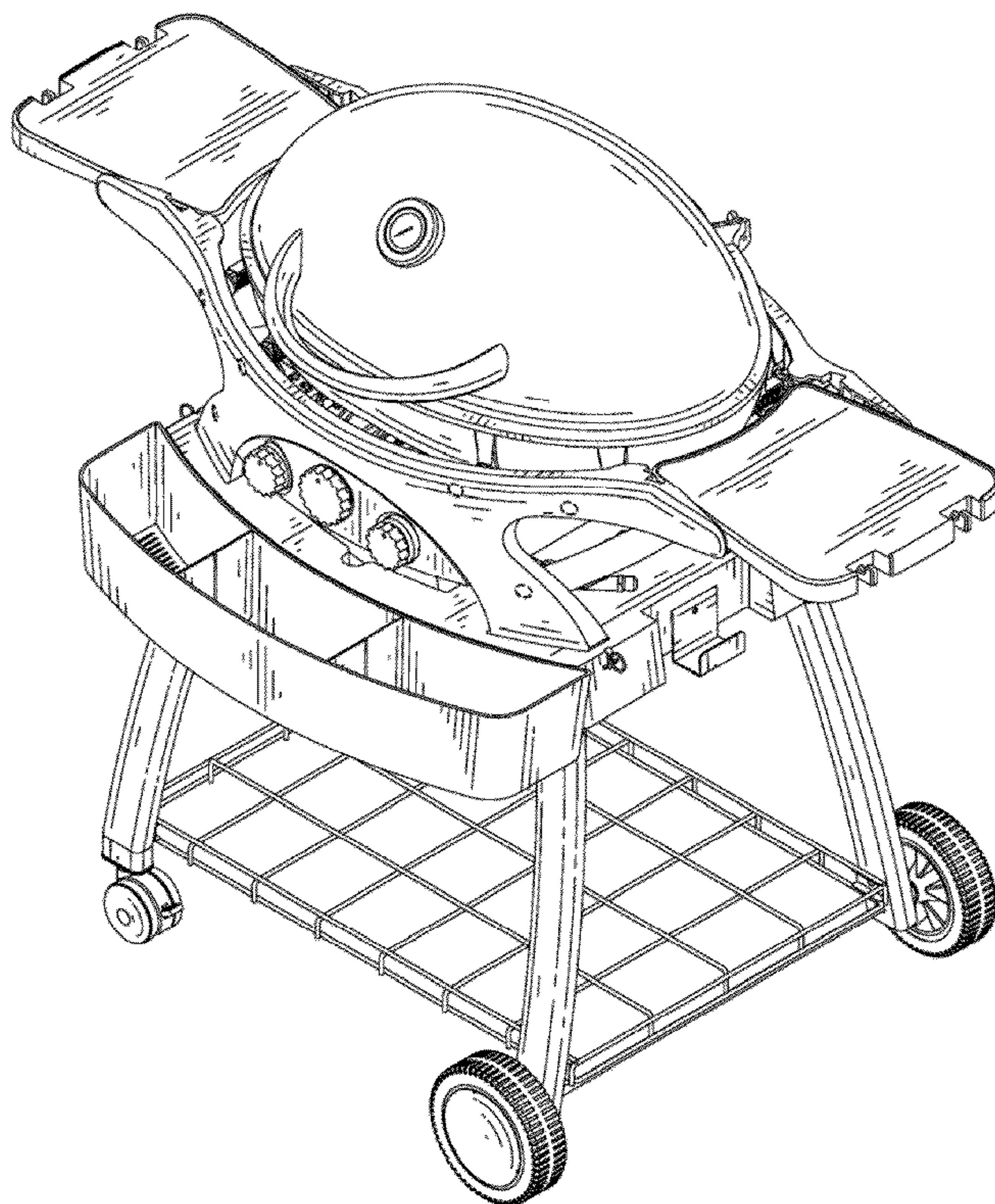
(57) **CLAIM**

I claim a new ornamental design for a grill, as shown and described.

DESCRIPTION

FIG. 1 is a perspective view of a grill showing my new design; FIG. 2 is a front elevational view thereof; FIG. 3 is a rear elevational view thereof; FIG. 4 is a left side elevational view thereof; FIG. 5 is a right side elevational view thereof; and, FIG. 6 is an top plan view thereof.

1 Claim, 6 Drawing Sheets



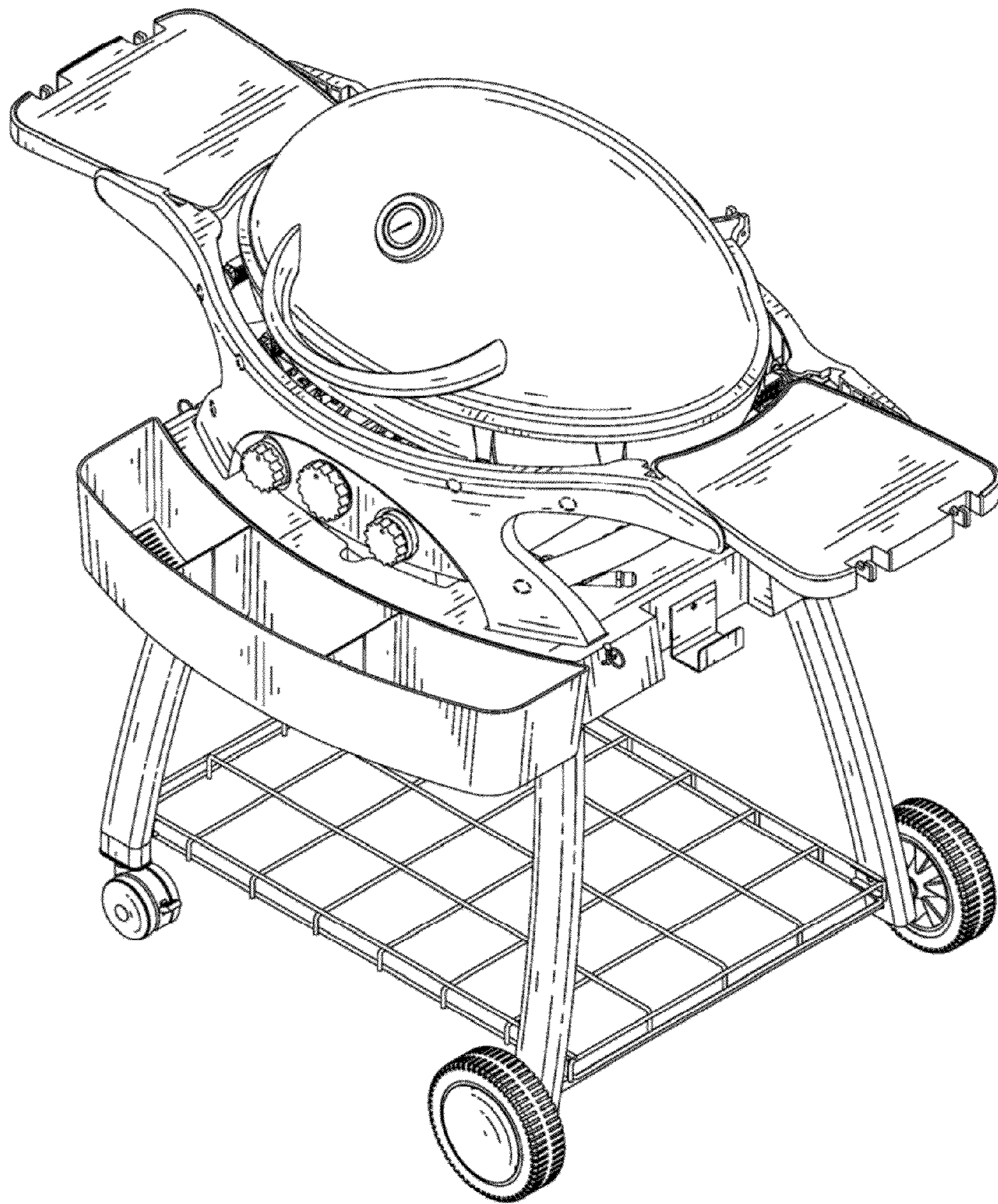


FIG. 1

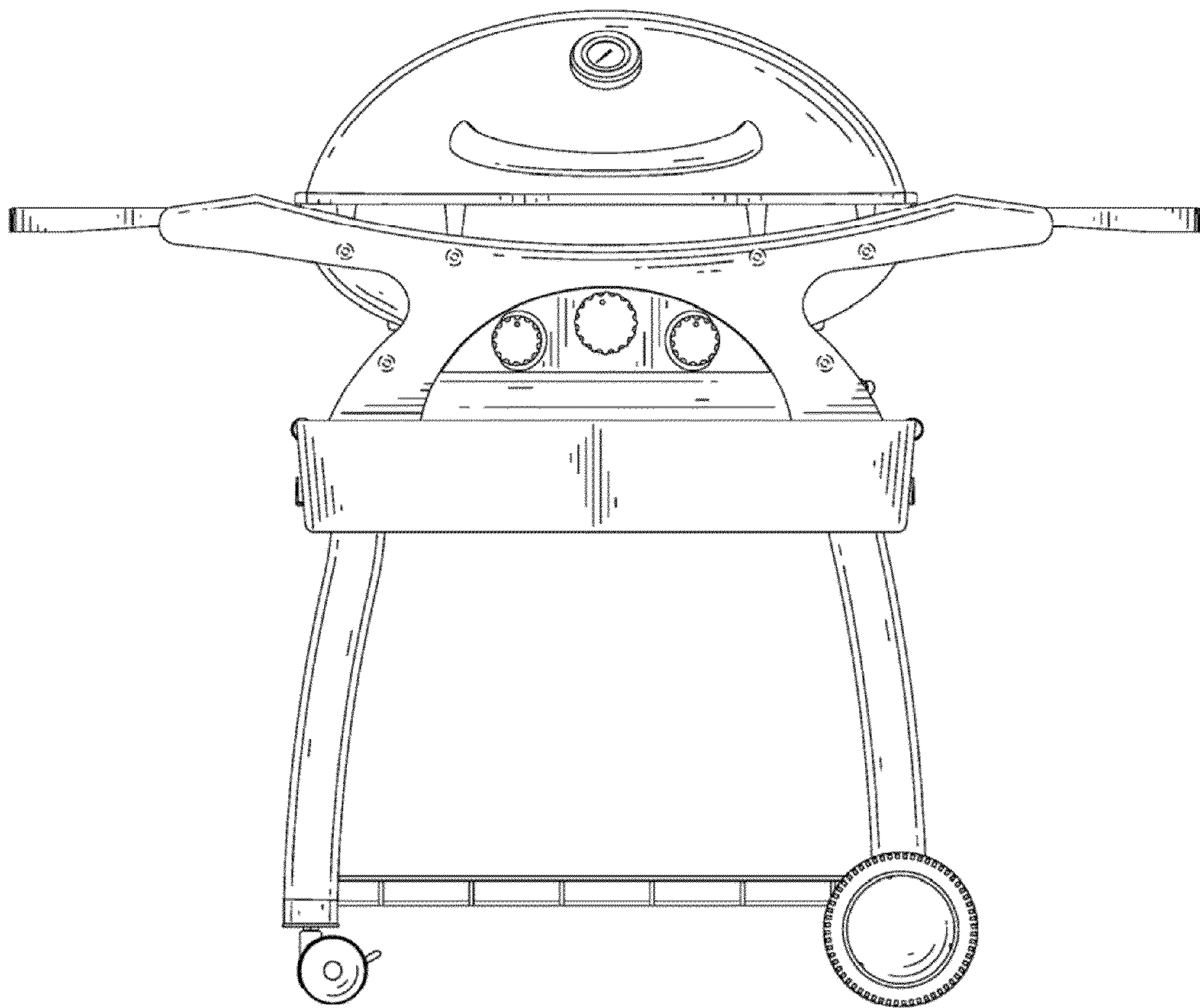


FIG. 2

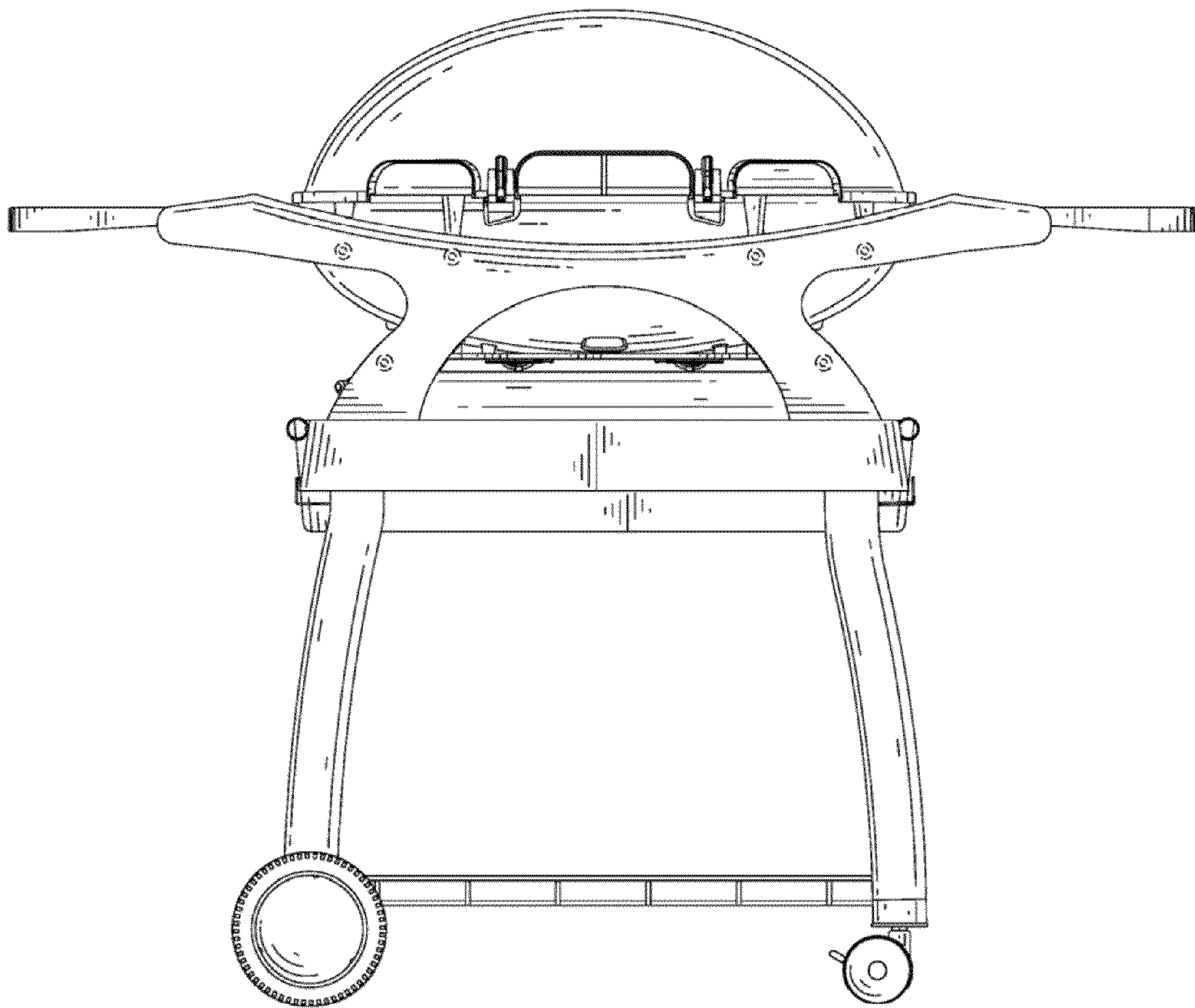


FIG. 3

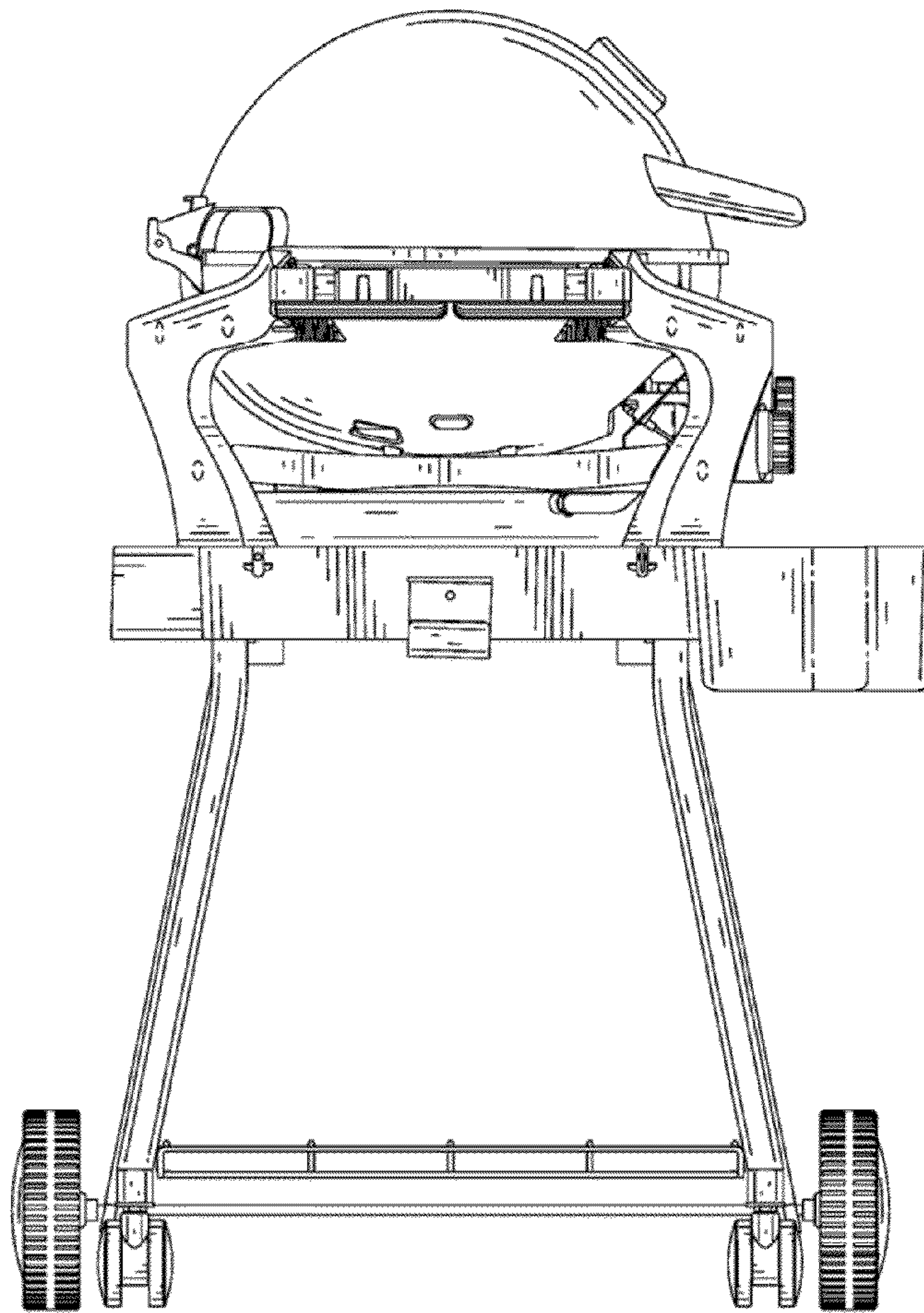


FIG. 4

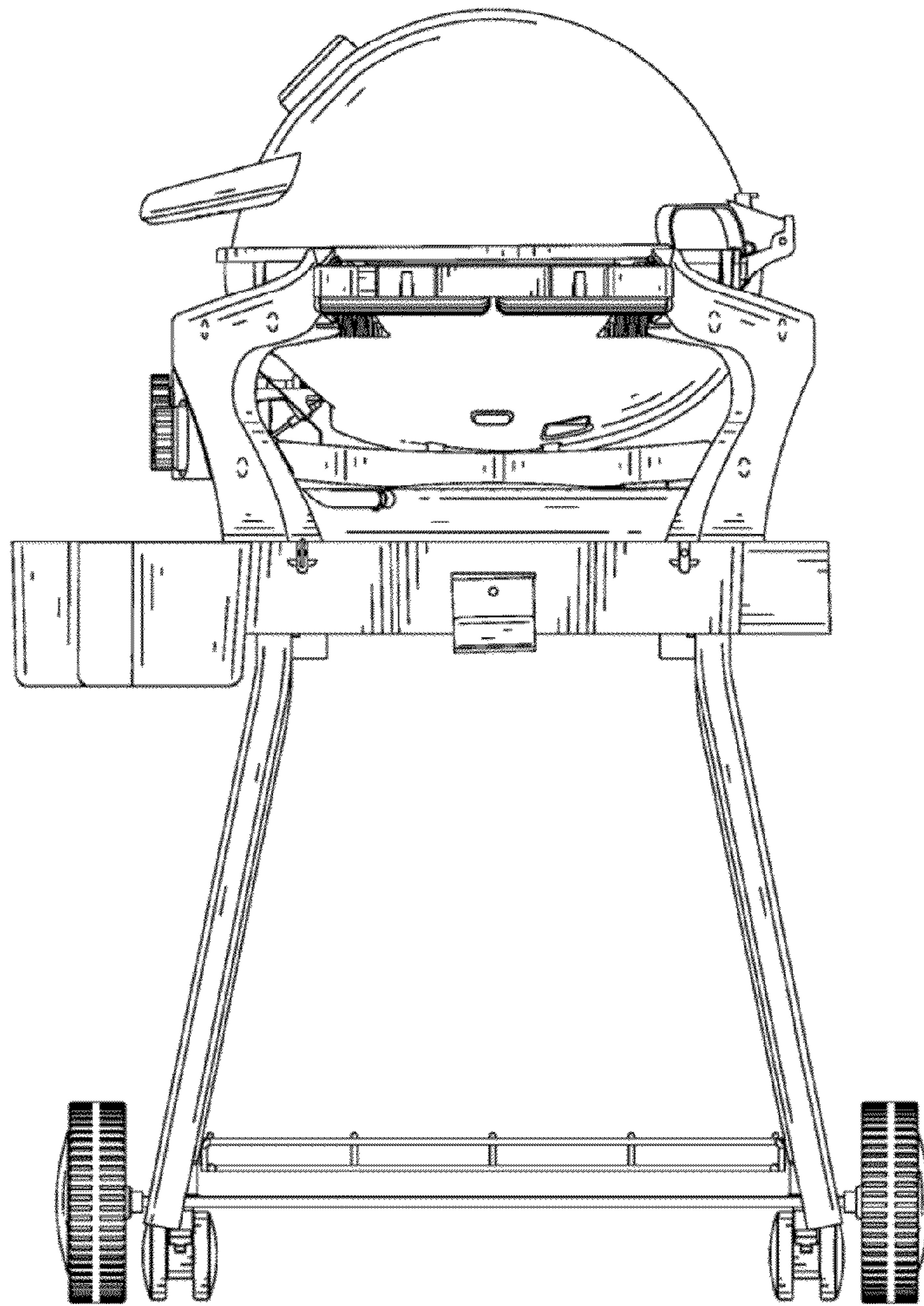


FIG. 5

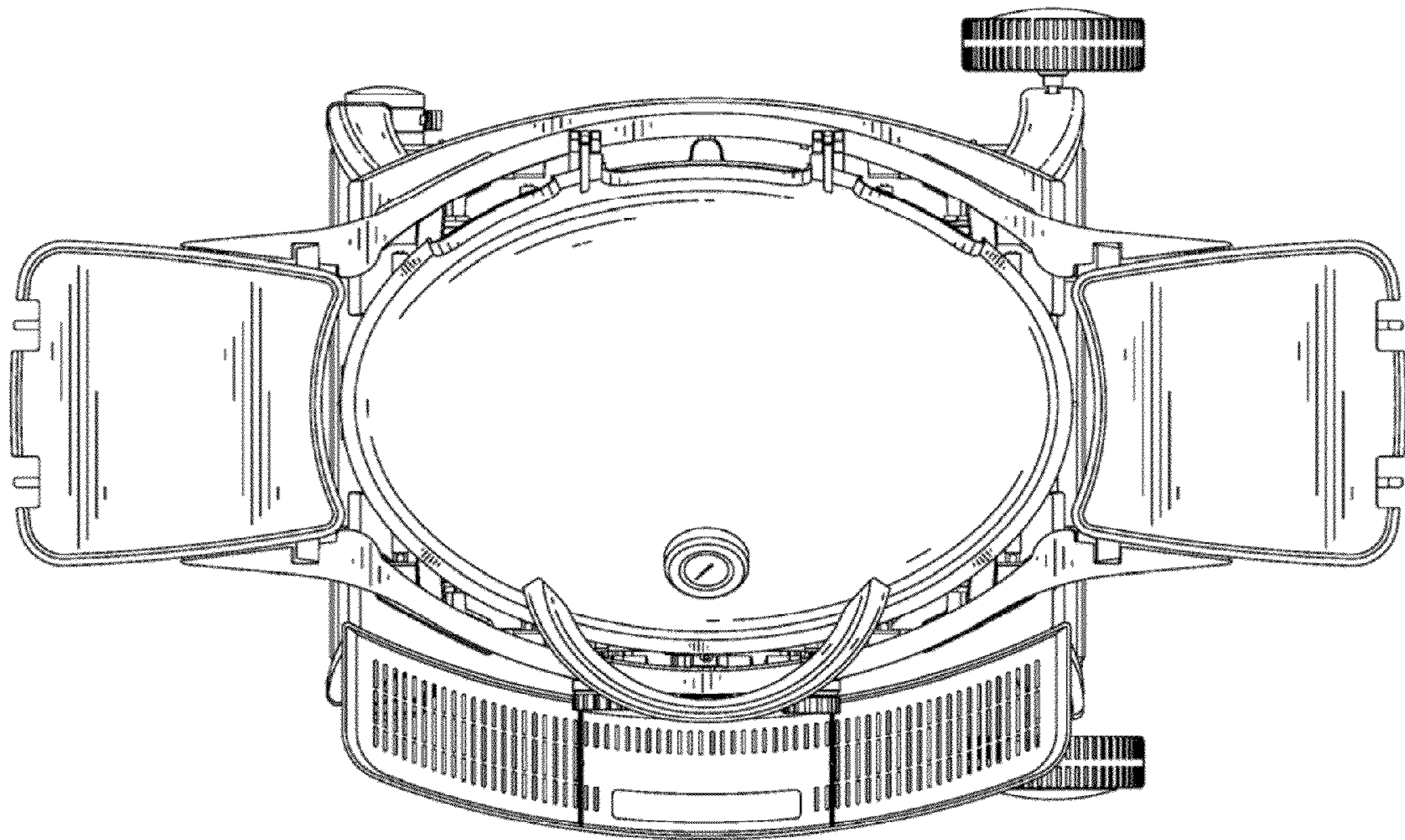


FIG. 6