



US00D737089S

(12) **United States Design Patent**  
**Taylor**

(10) **Patent No.:** **US D737,089 S**

(45) **Date of Patent:** **\*\* Aug. 25, 2015**

(54) **FOOTREST PIVOT**

(71) Applicant: **Elizabeth Taylor**, Leawood, KS (US)

(72) Inventor: **Elizabeth Taylor**, Leawood, KS (US)

(\*\*) Term: **14 Years**

(21) Appl. No.: **29/460,508**

(22) Filed: **Jul. 11, 2013**

(51) **LOC (10) Cl.** ..... **06-01**

(52) **U.S. Cl.**  
USPC ..... **D6/716.7**

(58) **Field of Classification Search**  
USPC ..... D6/334-336, 360, 364-367, 374-380,  
D6/716, 716.1-716.7; D12/114; D28/57  
CPC .... A47C 1/024; A47C 1/03255; A47C 3/026;  
A47C 3/18; A47C 7/002; A47C 7/004;  
A47C 7/506; A47K 3/125; A61H 35/006;  
B60N 2/167

See application file for complete search history.

(56) **References Cited**

**U.S. PATENT DOCUMENTS**

|               |        |                    |          |
|---------------|--------|--------------------|----------|
| D333,054 S *  | 2/1993 | Re et al. ....     | D6/716.6 |
| D338,643 S *  | 8/1993 | Fuller et al. .... | D12/114  |
| 6,115,857 A * | 9/2000 | Bidegain ....      | 4/574.1  |
| D444,307 S *  | 7/2001 | Minami ....        | D6/360   |
| D444,326 S *  | 7/2001 | Minami ....        | D6/716   |

|                |         |                     |            |
|----------------|---------|---------------------|------------|
| D444,636 S *   | 7/2001  | Ooyama .....        | D6/360     |
| D450,955 S *   | 11/2001 | Minami .....        | D6/716     |
| D457,006 S *   | 5/2002  | Ooyama .....        | D6/360     |
| 6,533,360 B1 * | 3/2003  | Parkel et al. ....  | 297/423.28 |
| D487,533 S *   | 3/2004  | Abbott et al. ....  | D28/57     |
| 7,937,783 B2 * | 5/2011  | Qian et al. ....    | 4/622      |
| D648,576 S *   | 11/2011 | McGeeney .....      | D6/716.6   |
| 8,534,762 B2 * | 9/2013  | Linhoff et al. .... | 297/423.26 |

\* cited by examiner

*Primary Examiner* — Ricky Pham

(74) *Attorney, Agent, or Firm* — Erickson Kernell  
Derusseau & Kleypas, LLC

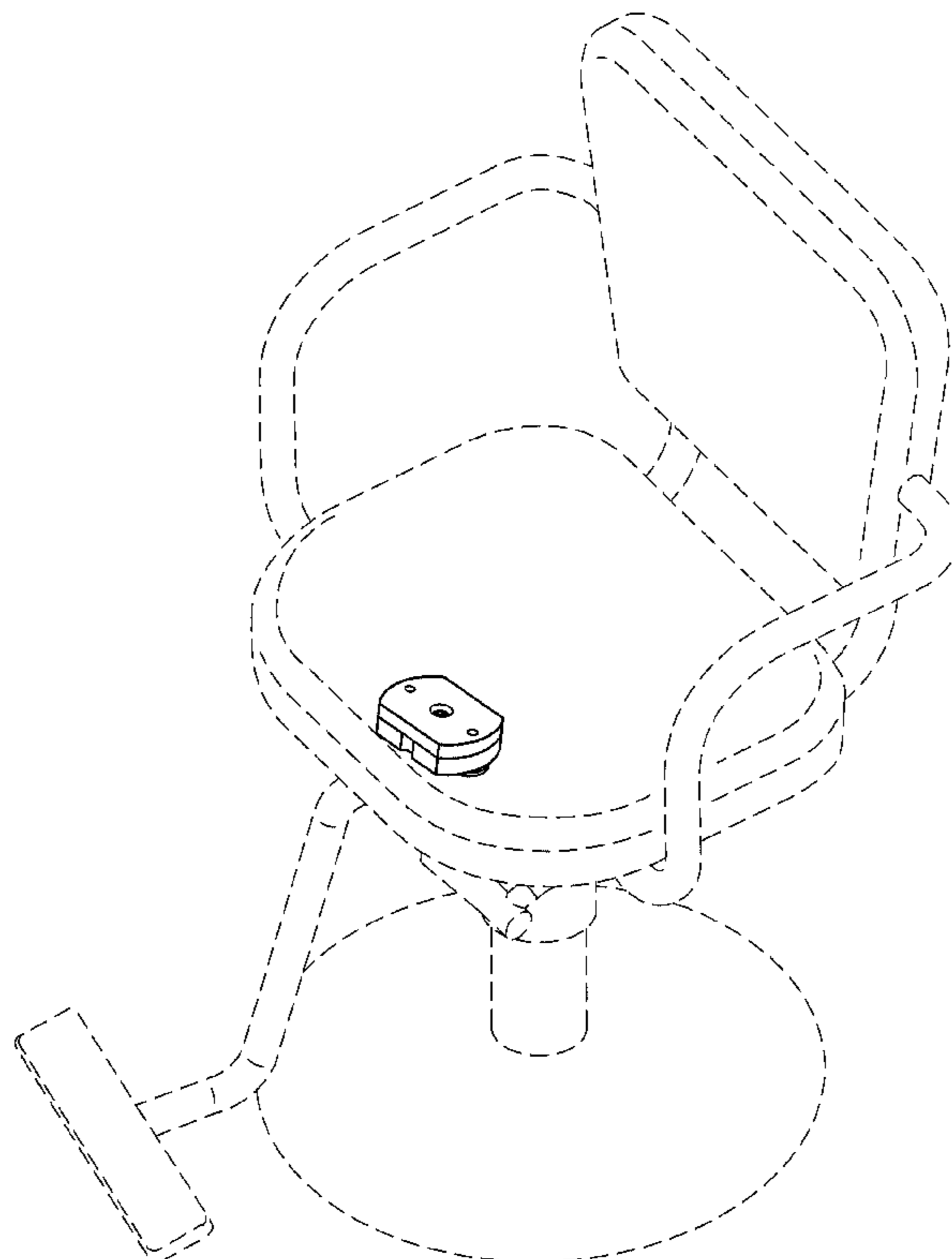
(57) **CLAIM**

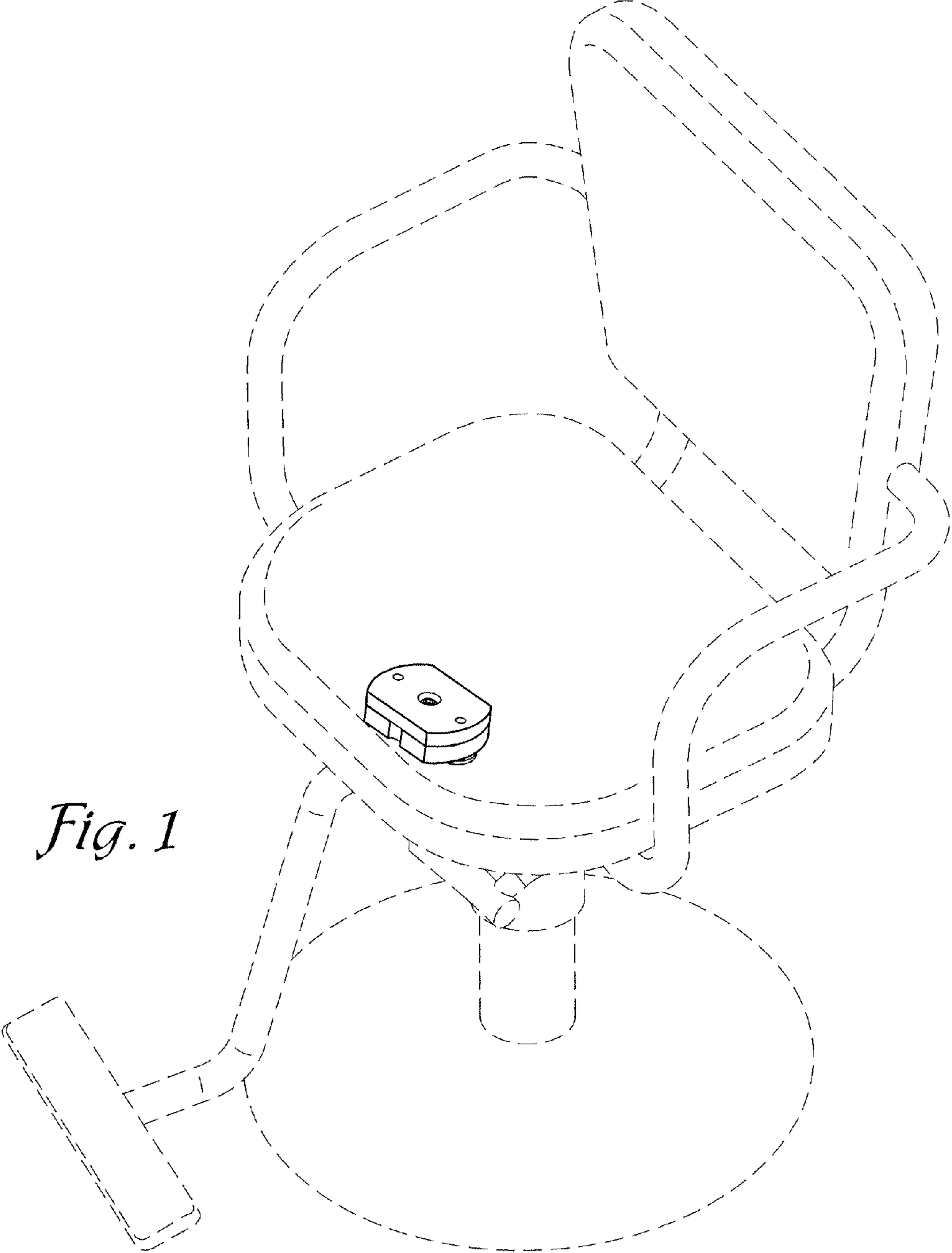
The ornamental design for a footrest pivot, as shown and described.

**DESCRIPTION**

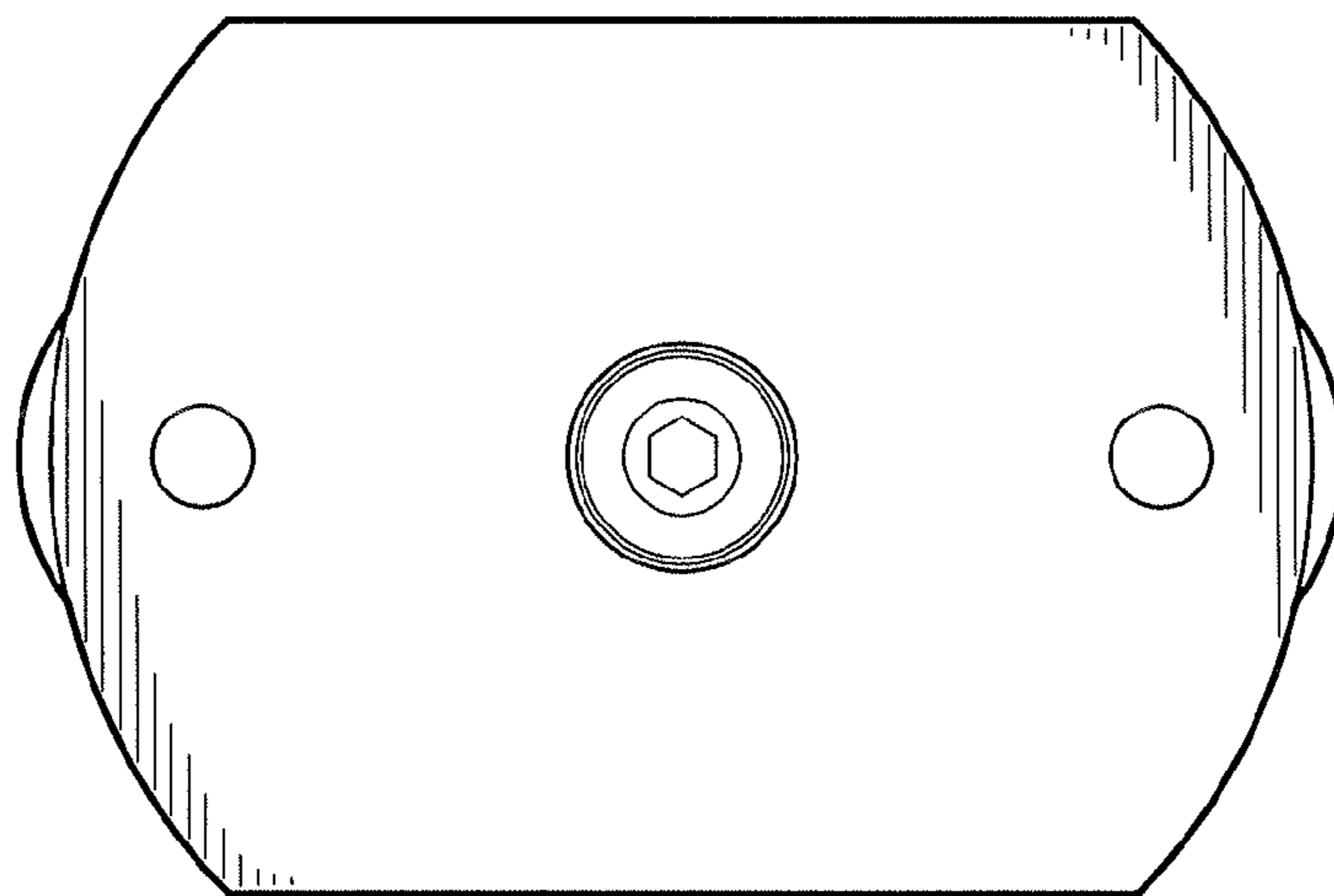
FIG. 1 is a perspective view of an ornamental design for a footrest pivot;  
FIG. 2 is an enlarged top view thereof;  
FIG. 3 is an enlarged bottom view thereof;  
FIG. 4 is an enlarged front elevational view thereof, the rear view being a mirror image of the front;  
FIG. 5 is an enlarged side elevational view thereof; the opposite side being a mirror image; and,  
FIG. 6 is an enlarged perspective view thereof.  
The broken lines in FIG. 1 is directed to environment and are for illustrative purposes only; the broken lines form no part of the claim.

**1 Claim, 3 Drawing Sheets**

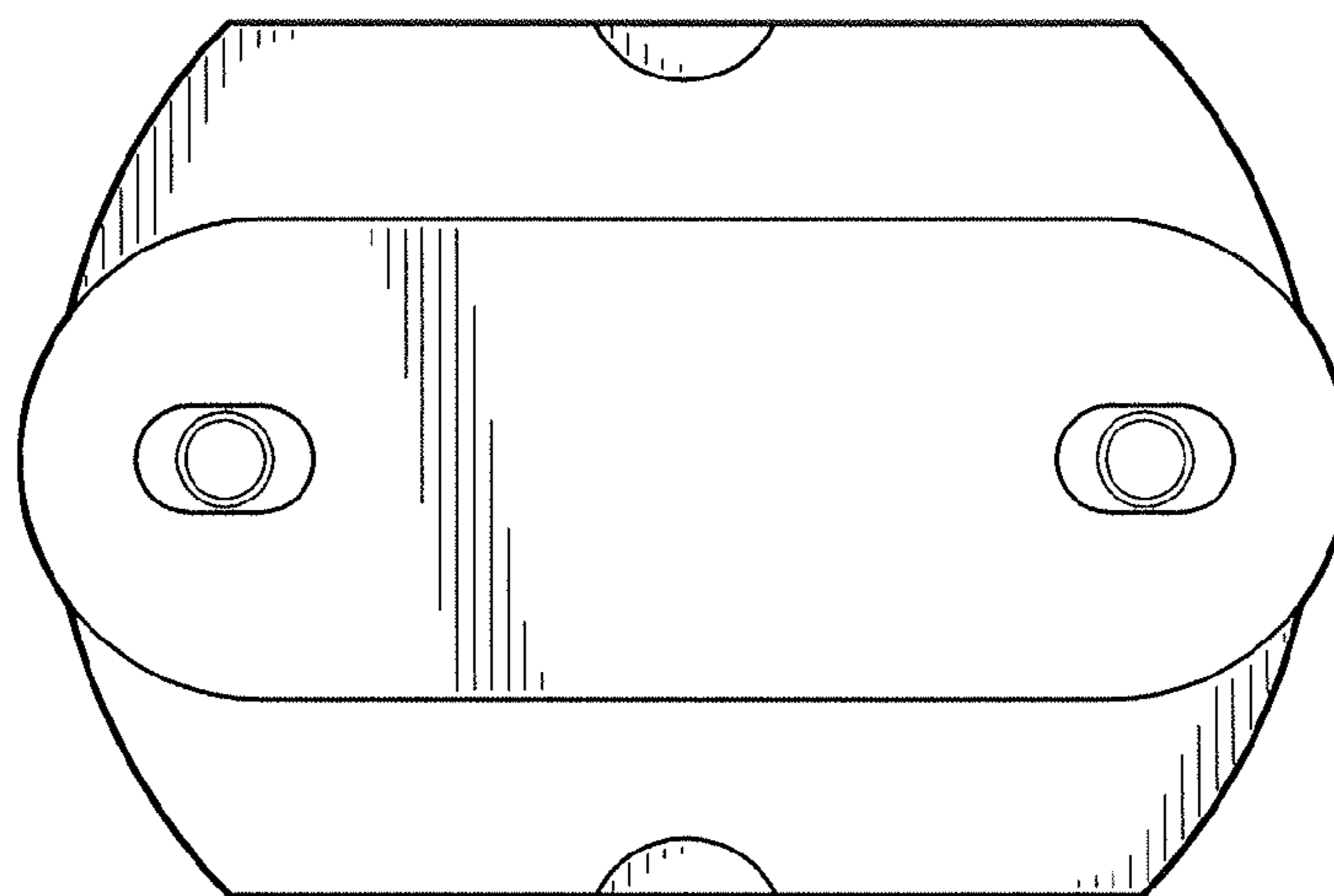




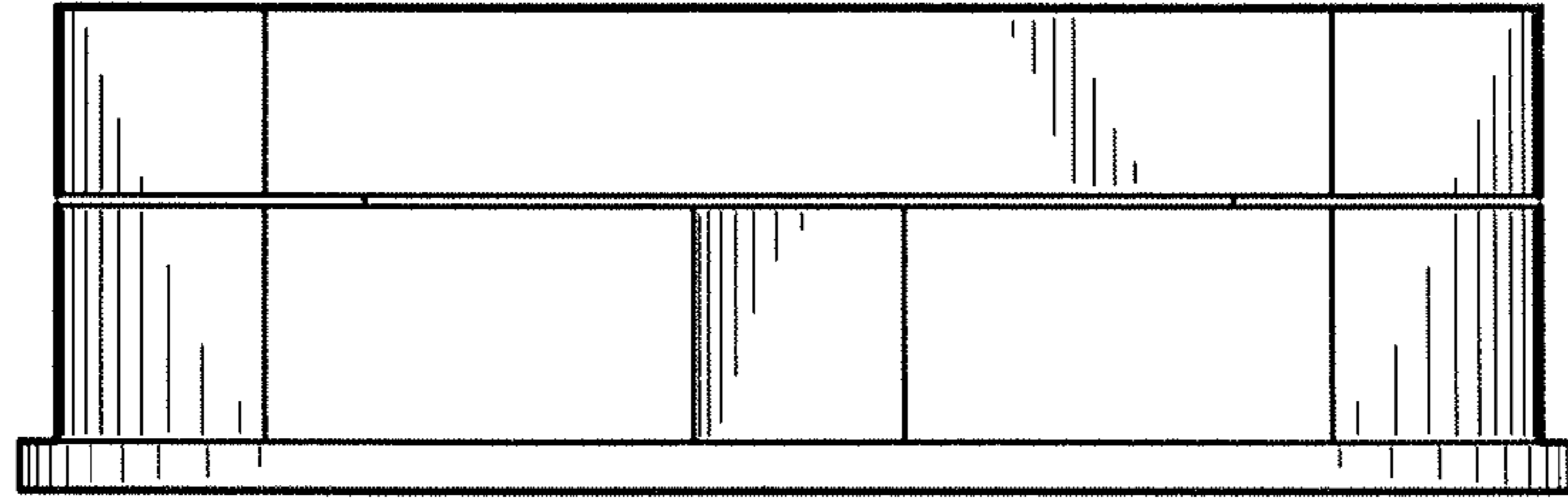
*Fig. 1*



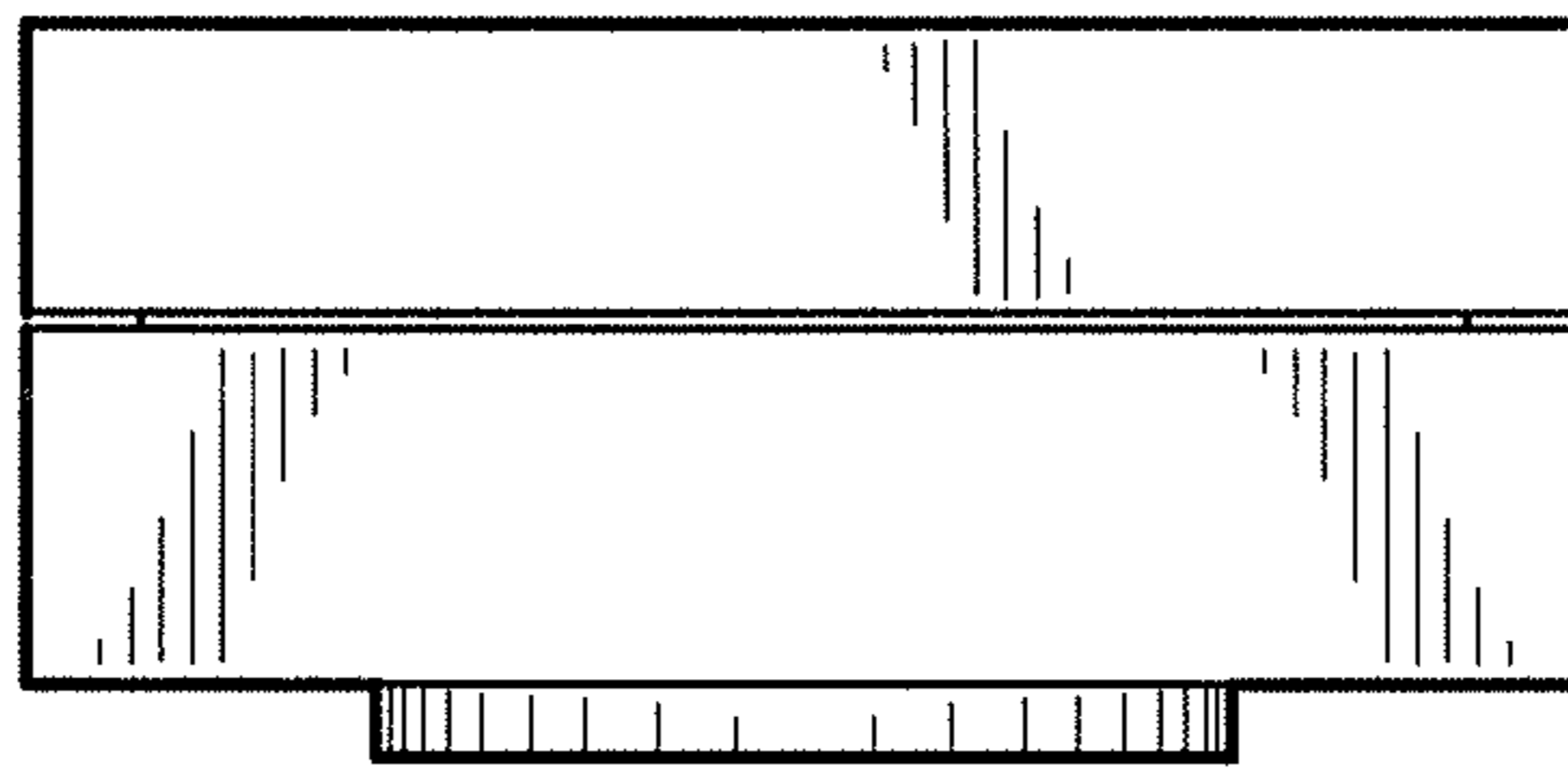
*Fig. 2*



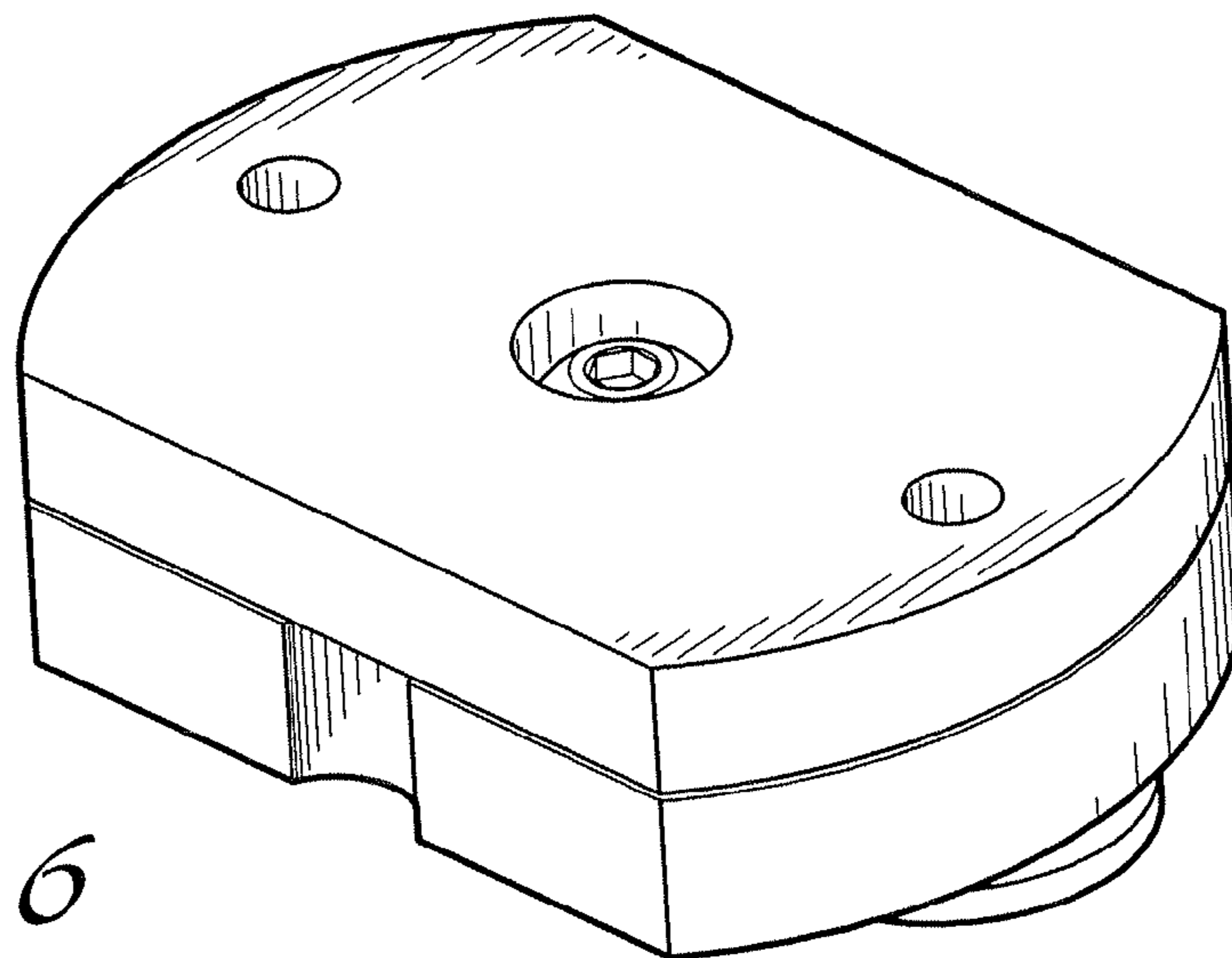
*Fig. 3*



*Fig. 4*



*Fig. 5*



*Fig. 6*