



US00D737088S

(12) **United States Design Patent**
Kawai

(10) **Patent No.:** **US D737,088 S**

(45) **Date of Patent:** **** Aug. 25, 2015**

(54) **STADIUM SEAT**

(71) Applicant: **DIC Corporation**, Tokyo (JP)

(72) Inventor: **Toru Kawai**, Tokyo (JP)

(73) Assignee: **DIC Corporation**, Tokyo (JP)

(**) Term: **14 Years**

(21) Appl. No.: **29/520,357**

(22) Filed: **Mar. 13, 2015**

(30) **Foreign Application Priority Data**

Sep. 18, 2014 (JP) D2014-020605

(51) **LOC (10) Cl.** **06-01**

(52) **U.S. Cl.**
USPC **D6/716.4**

(58) **Field of Classification Search**
USPC D6/334-336, 362, 369, 371-373, 374,
D6/375, 376, 379, 780, 716, 716.1, 716.2,
D6/716.3, 716.4
CPC A47C 1/12; A47C 1/121; A47C 1/124;
A47C 1/16; A47C 3/16; A47C 7/56; B60N
2/02

See application file for complete search history.

(56) **References Cited**

U.S. PATENT DOCUMENTS

D172,218 S * 5/1954 Burst D6/374
4,871,209 A * 10/1989 Handelman A47C 1/16
D427,820 S * 7/2000 Chen D6/716
D450,944 S * 11/2001 Shepard et al. D6/369

D583,597 S * 12/2008 Egger D6/716.4
D604,968 S * 12/2009 True D6/716.4
7,914,078 B2 * 3/2011 Hentges B60N 2/02
D646,095 S * 10/2011 Langbord et al. D6/716.4
8,804,093 B2 * 8/2014 Haight et al. A47C 7/56

* cited by examiner

Primary Examiner — Mimoso De

(74) *Attorney, Agent, or Firm* — Leydig, Voit & Mayer

(57) **CLAIM**

The ornamental design for a stadium seat, as shown and described.

DESCRIPTION

FIG. 1 is a front view of a stadium seat of the present invention.

FIG. 2 is a rear view of the stadium seat of FIG. 1.

FIG. 3 is a top plan view of the stadium seat of FIG. 1.

FIG. 4 is a bottom view of the stadium seat of FIG. 1.

FIG. 5 is a right side view of the stadium seat of FIG. 1.

FIG. 6 is a left side view of the stadium seat of FIG. 1.

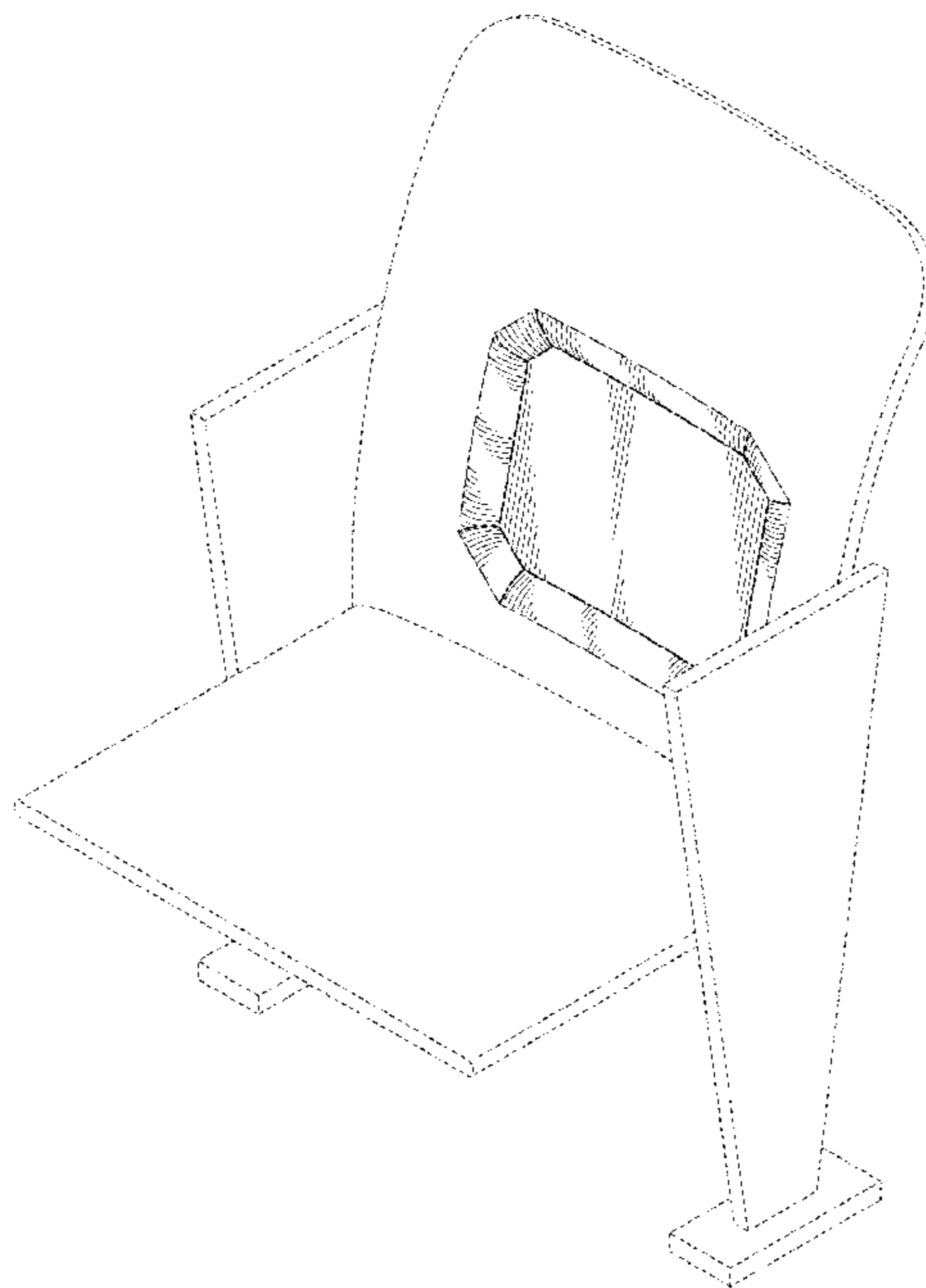
FIG. 7 is a front perspective view of the stadium seat of FIG. 1.

FIG. 8 is an enlarged sectional view in the direction indicated by the arrows 8-8 of the stadium seat of FIG. 1; and, FIG. 9 is an enlarged sectional view of the 9'-9' portion in the direction indicated by the arrows 9-9 of the stadium seat of FIG. 3.

The features shown in dotted lines depict environmental subject matter only and form no part of the claimed design.

The broken lines having alternating long and short segments define bounds of the claimed design and form no part thereof

1 Claim, 9 Drawing Sheets



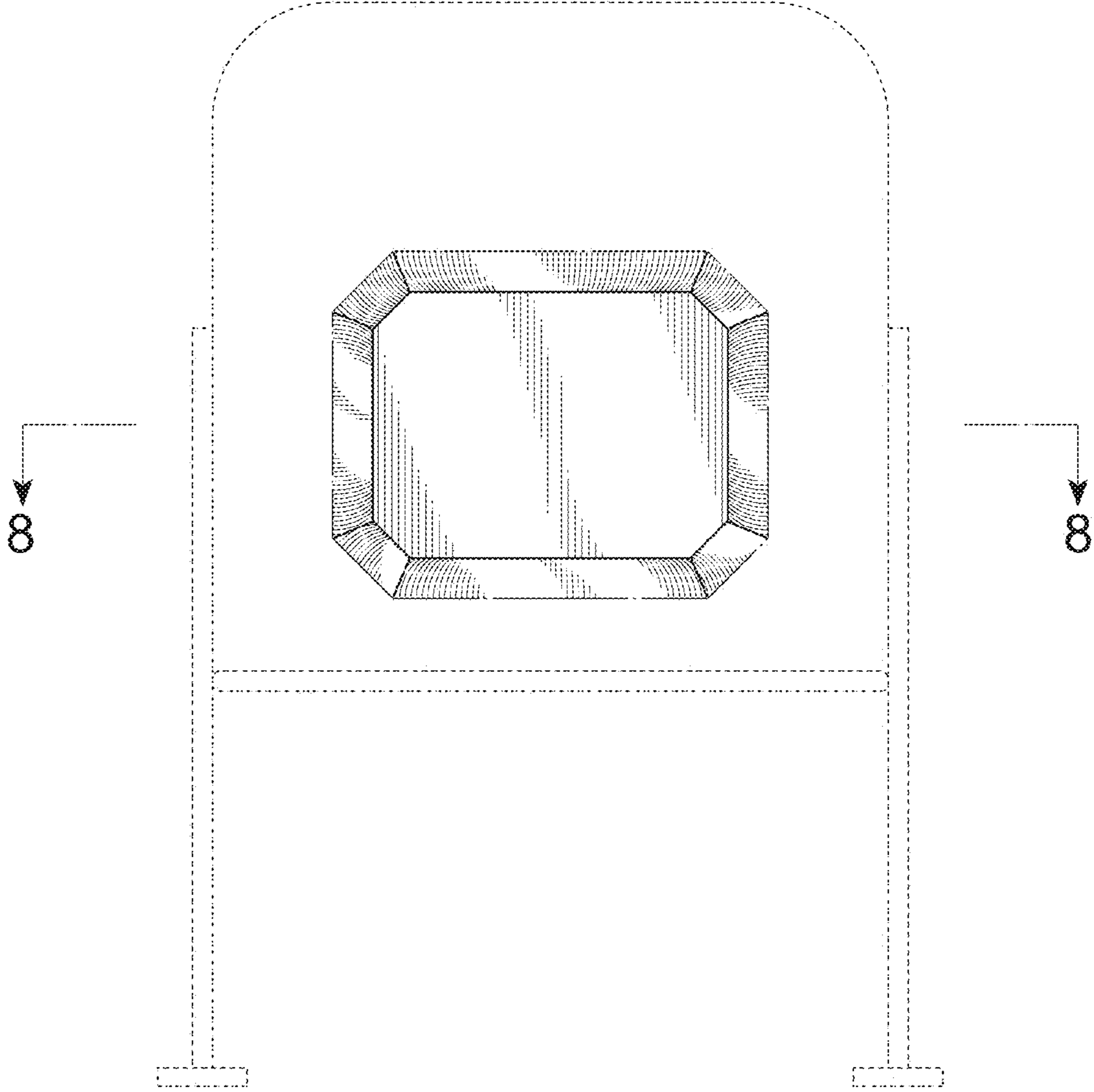


Fig. 1

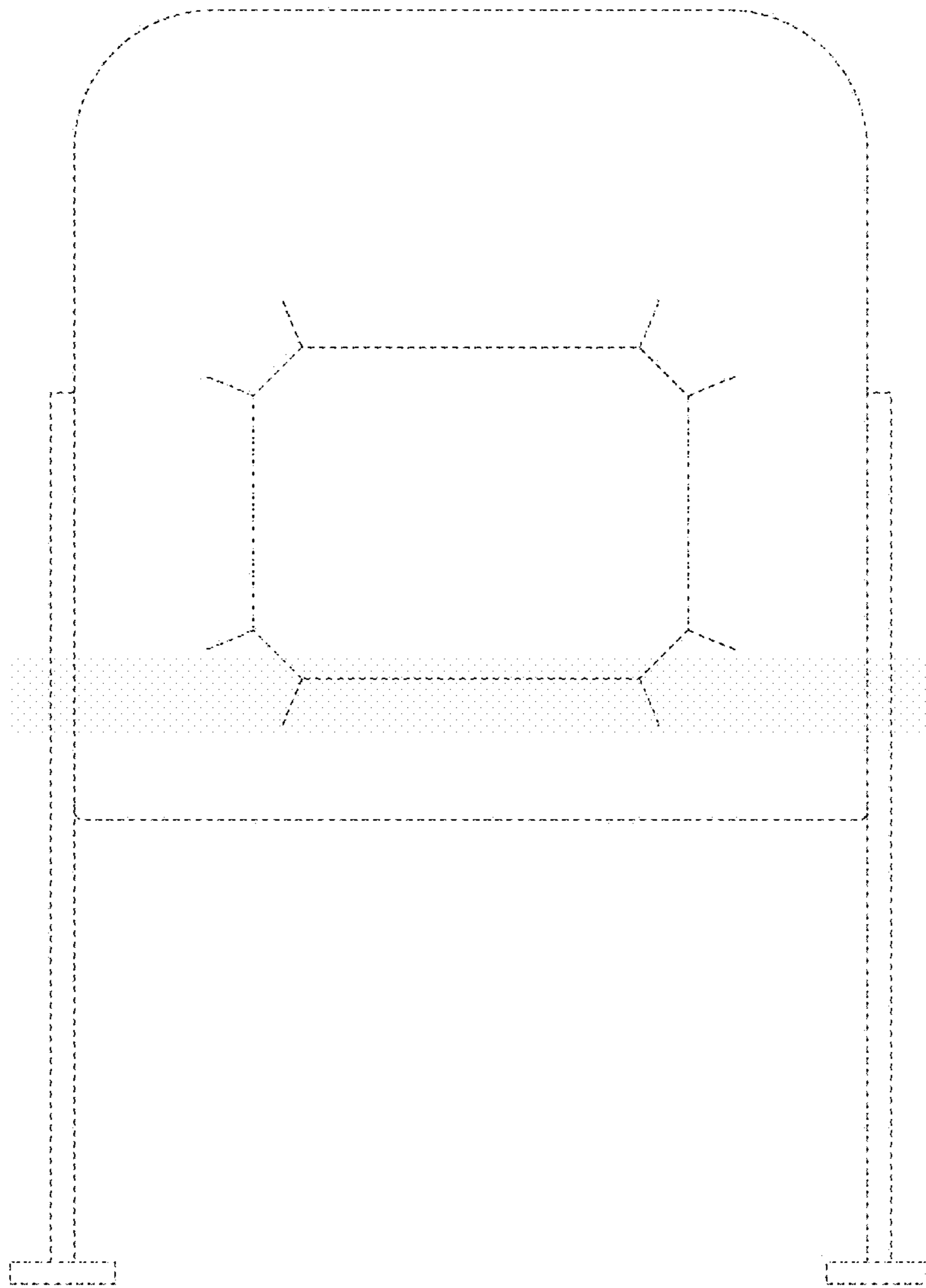


Fig.2

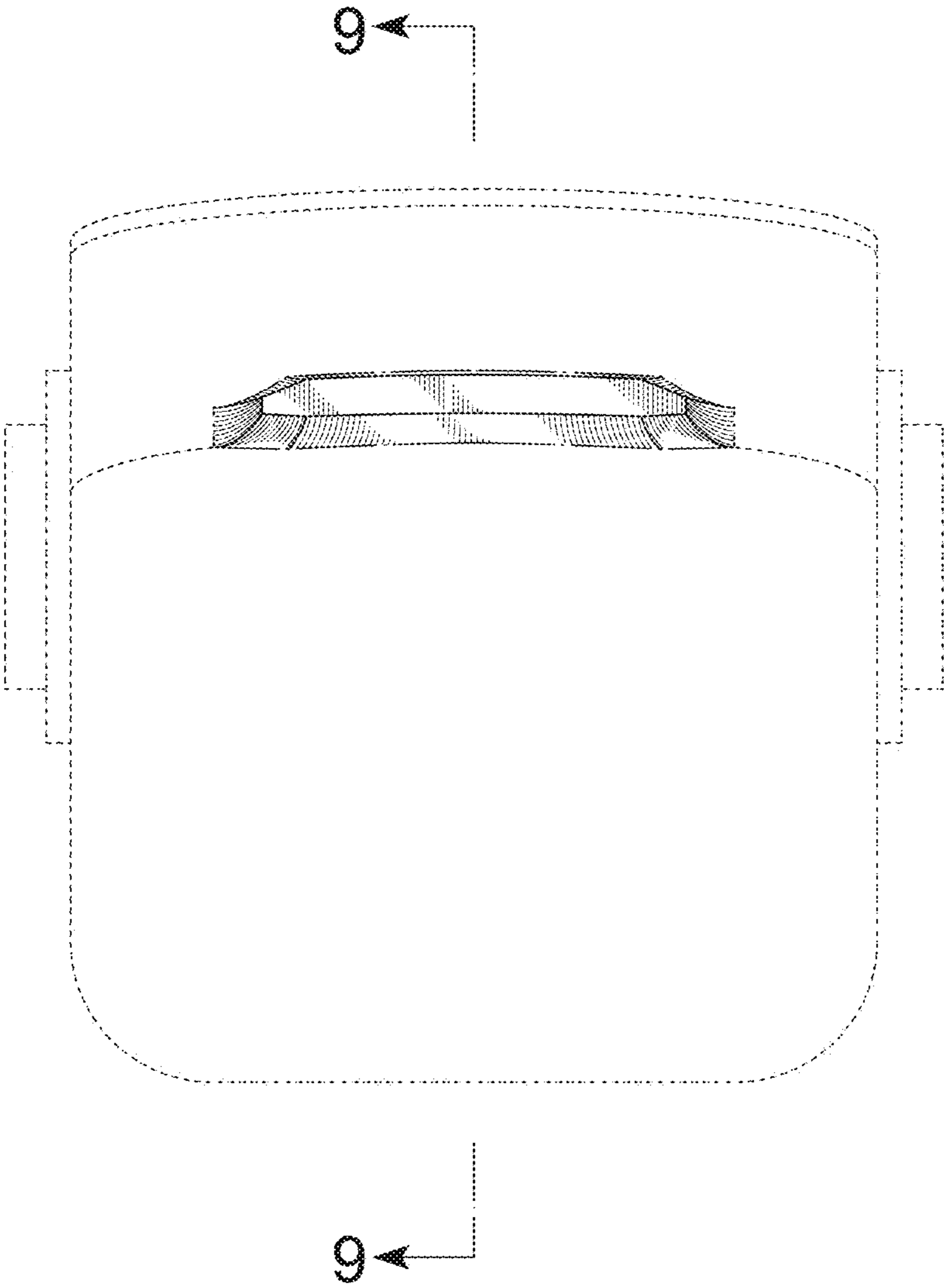


Fig.3

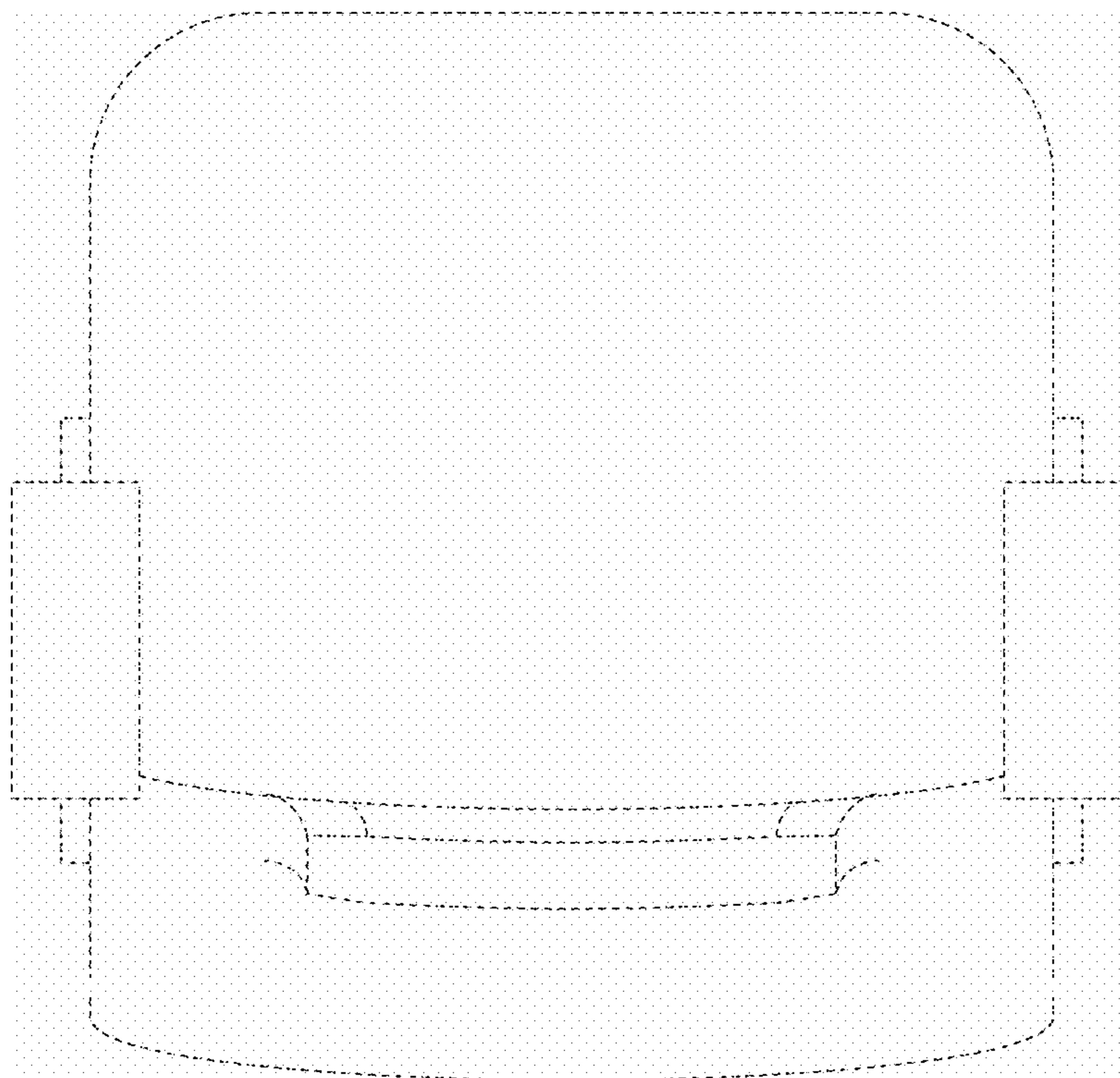


Fig.4

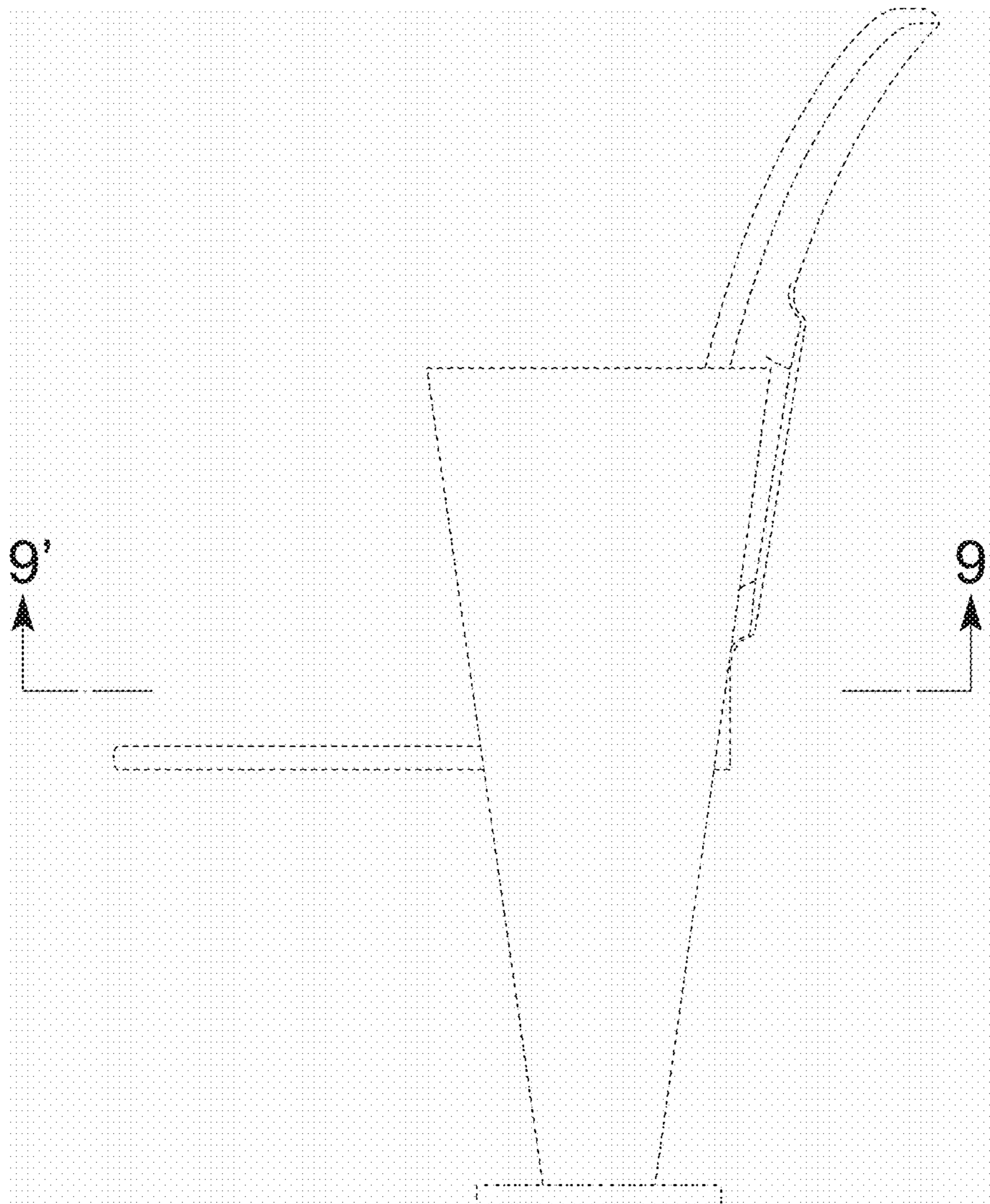


Fig.5

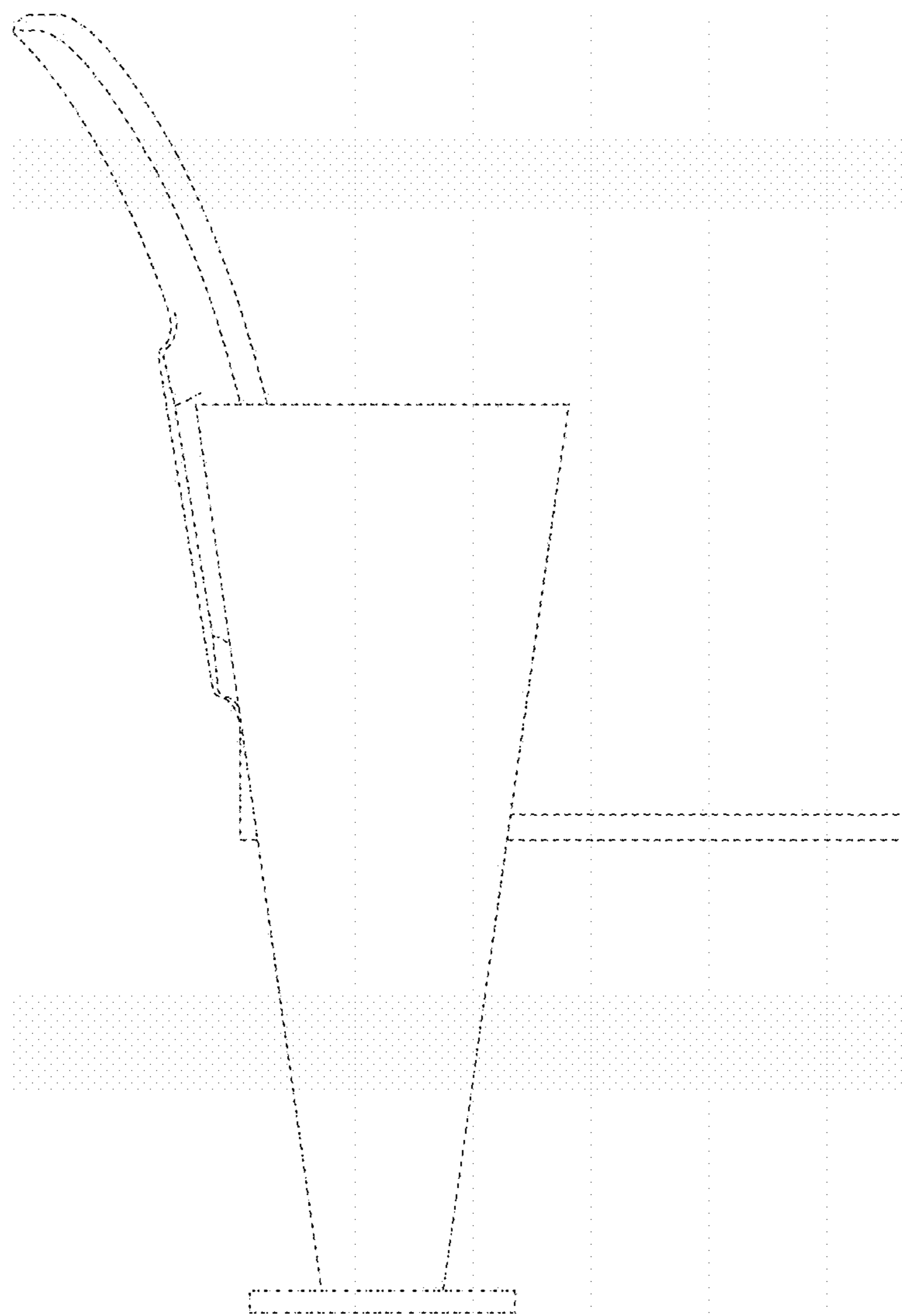


Fig.6

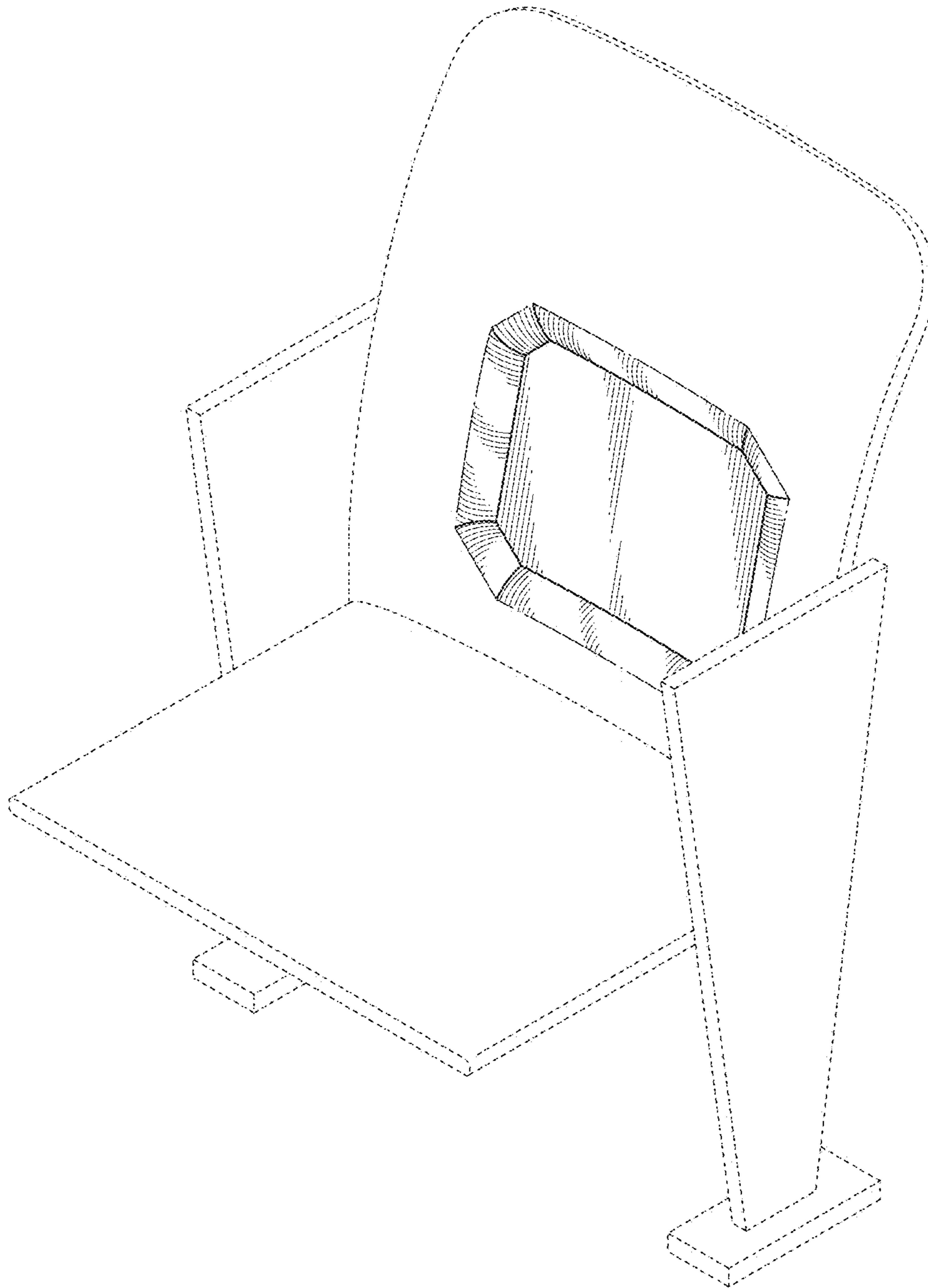


Fig.7

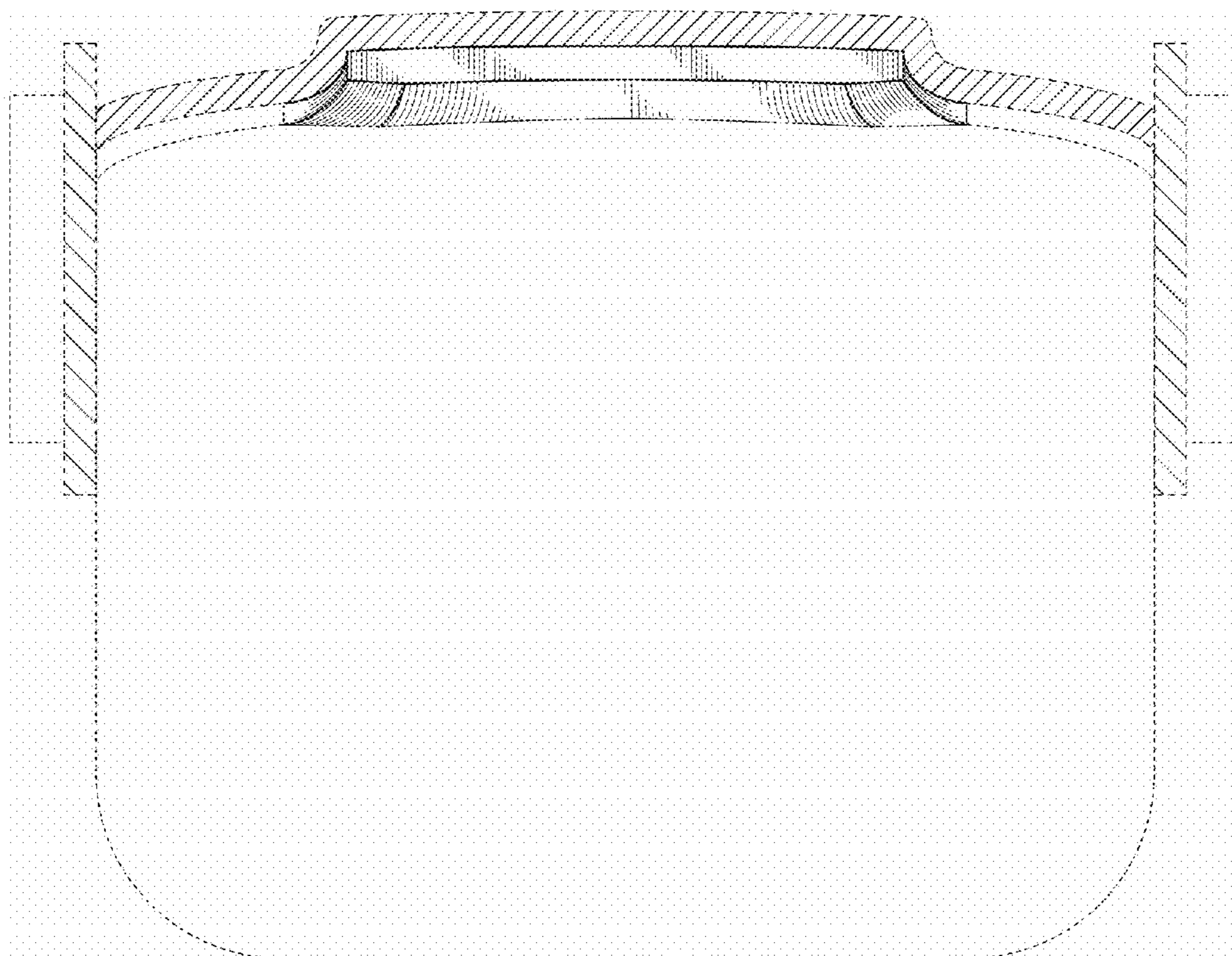


Fig.8

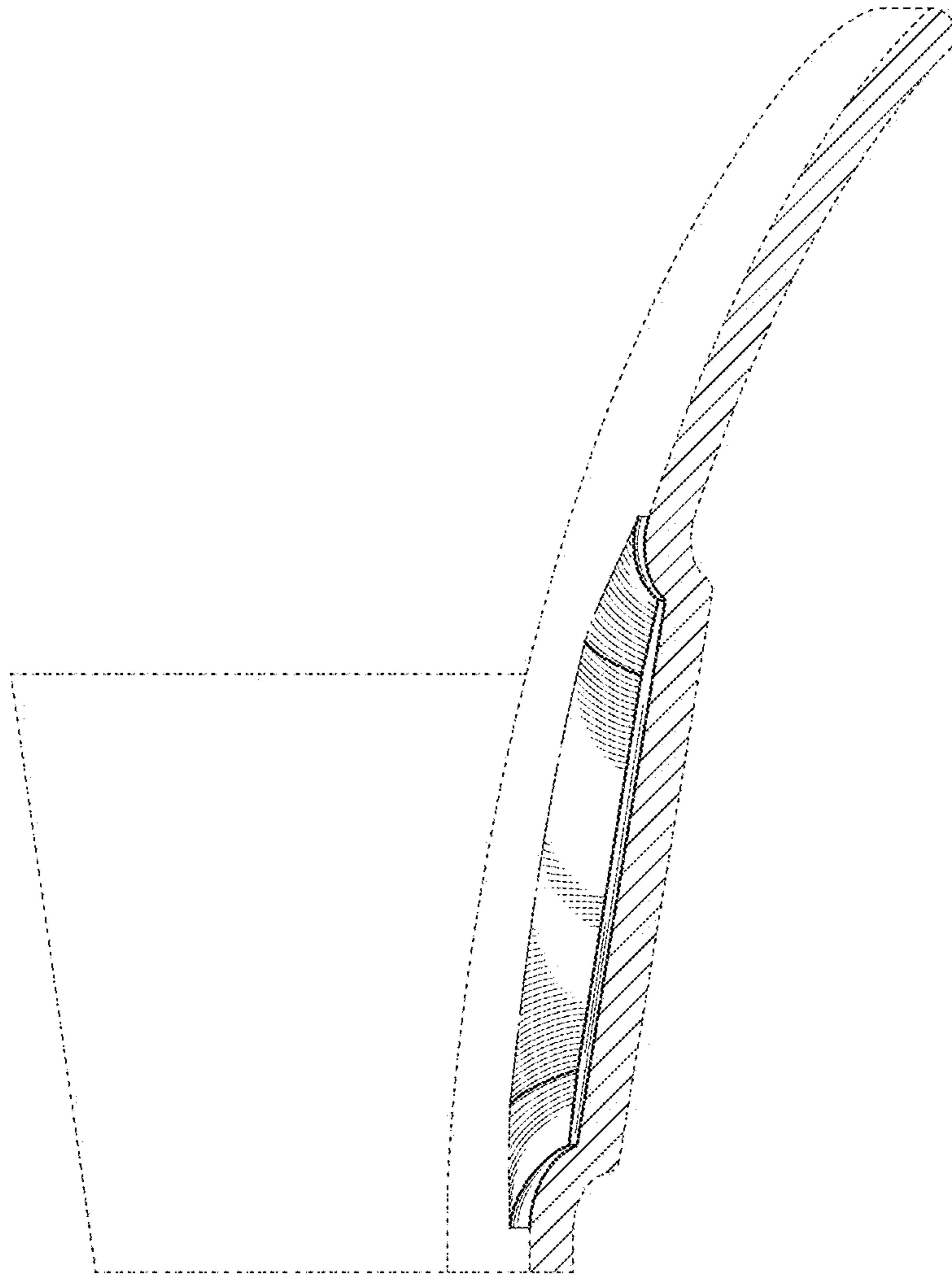


Fig.9