



US00D737087S

(12) **United States Design Patent**  
**Wood**

(10) **Patent No.:** **US D737,087 S**  
(45) **Date of Patent:** **\*\* Aug. 25, 2015**

- (54) **STADIUM CHAIR**
- (71) Applicant: **Rick Wood**, Snoqualmie, WA (US)
- (72) Inventor: **Rick Wood**, Snoqualmie, WA (US)
- (73) Assignee: **Cascade Mountain Technologies, Inc.**,  
Snoqualmie, WA (US)
- (\*\*) Term: **14 Years**
- (21) Appl. No.: **29/499,851**
- (22) Filed: **Aug. 19, 2014**

4,577,901	A *	3/1986	Phillips	297/17
D287,318	S *	12/1986	Garduno	D6/386
D293,282	S	12/1987	Ashford	
4,715,652	A	12/1987	Ward	
4,781,413	A	11/1988	Shumack	
4,824,171	A	4/1989	Hollingsworth	
4,850,282	A *	7/1989	Postic	108/47
4,890,882	A *	1/1990	Harrington	297/45
4,930,838	A	6/1990	Brabant	
5,058,949	A	10/1991	Hoffman	
5,067,771	A	11/1991	Ellis	
D332,010	S	12/1992	Powers	
5,433,502	A	7/1995	Condorodis	
D360,768	S	8/1995	Hwang	
5,516,193	A	5/1996	Simpson	
D376,484	S	12/1996	Gregory	
5,580,130	A	12/1996	Williams et al.	
D391,086	S	2/1998	Catchings et al.	
D396,964	S	8/1998	Mullins	
D412,793	S	8/1999	Neubauer	
5,961,178	A	10/1999	Hodson	
D418,317	S	1/2000	Rand	
D421,190	S	2/2000	Sagastegui	
D421,191	S	2/2000	Rand	
6,203,108	B1	3/2001	Mattison	
6,250,712	B1 *	6/2001	Livington et al.	297/4
6,352,306	B1	3/2002	Dreiling	
D459,602	S	7/2002	Kreiss	
D468,548	S	1/2003	Head	
6,502,902	B1	1/2003	Romero	
6,592,187	B2 *	7/2003	Calvery	297/352
6,783,181	B2 *	8/2004	Scheurer et al.	297/373
D495,511	S	9/2004	Dingess et al.	
7,000,985	B2 *	2/2006	Belgarde	297/255
7,316,452	B2	1/2008	Vestweber	
7,374,246	B2	5/2008	Jones	
7,597,399	B1	10/2009	Schneller	
7,722,117	B2	5/2010	Jones	
D634,951	S	3/2011	Dreiling	
8,322,784	B2	12/2012	Ayre	
D713,192	S *	9/2014	Wood	D6/716.1
D714,562	S *	10/2014	Chlapaty	D6/362
D727,046	S *	4/2015	Alexander	D6/356
D727,047	S *	4/2015	Alexander	D6/356
2008/0093902	A1	4/2008	Jones	

**Related U.S. Application Data**

- (63) Continuation of application No. 29/457,180, filed on Jun. 7, 2013, now Pat. No. Des. 713,192.
- (51) **LOC (10) Cl.** ..... **06-01**
- (52) **U.S. Cl.**  
USPC ..... **D6/716.1**
- (58) **Field of Classification Search**  
USPC ..... D3/216, 274, 276; D6/334-336, 356,  
D6/360-386, 716, 716.1-716.4  
CPC ..... A45C 9/00; A45F 3/04; A45F 4/02;  
A47B 23/04; A47C 1/027; A47C 1/14;  
A47C 1/16; A47C 1/146; A47C 4/00; A47C  
4/02; A47C 4/28; A47C 4/30; A47C 4/38;  
A47C 4/42; A47C 4/48; A47C 4/52; A47C  
4/283; A47C 4/286; A47C 5/005; A47C 7/16;  
A47C 7/282; A47C 9/10; A47D 1/103;  
F16M 11/38  
See application file for complete search history.

(56) **References Cited**

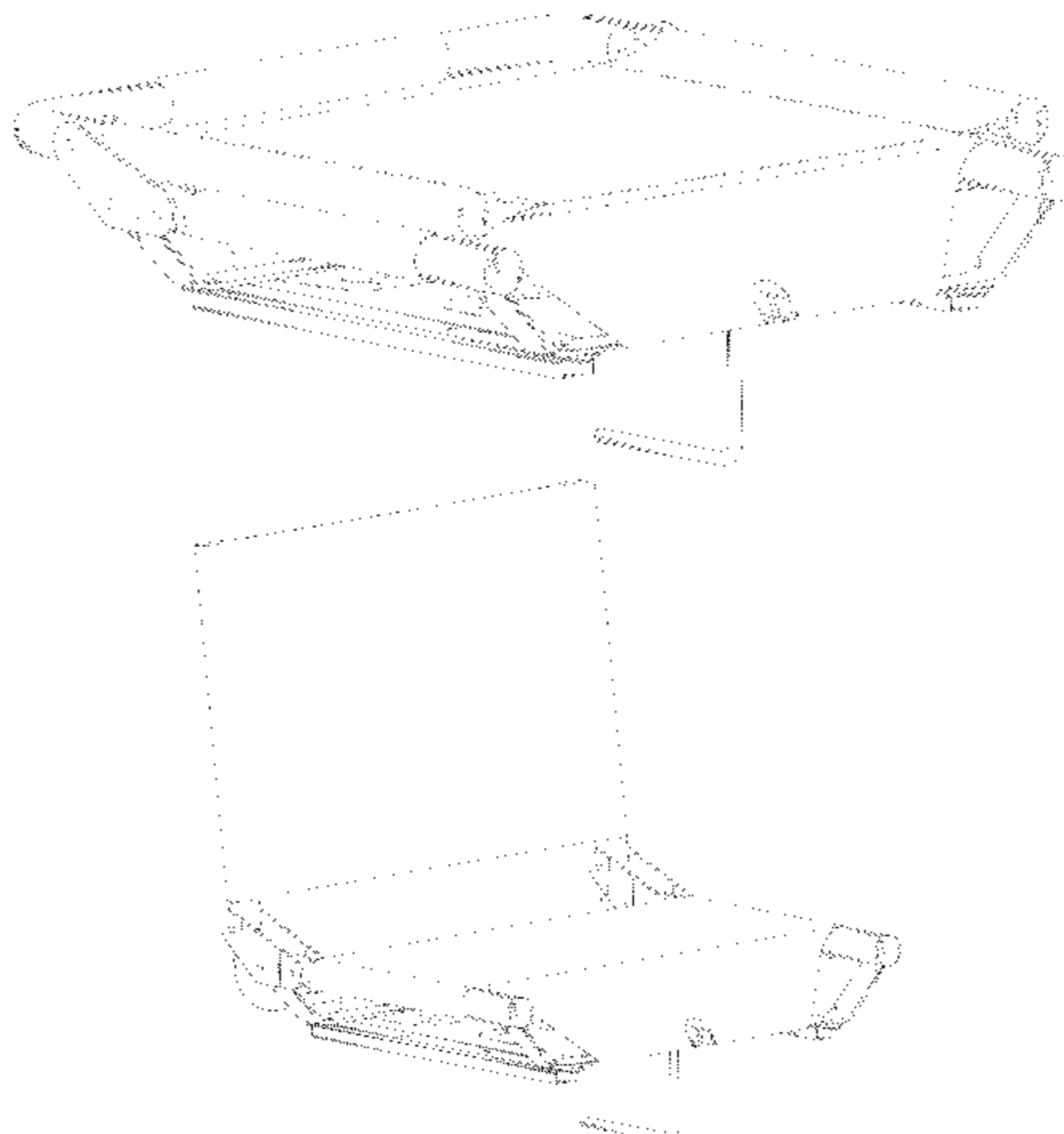
**U.S. PATENT DOCUMENTS**

D121,266	S	7/1940	Archer	
2,792,875	A	5/1957	Pirrone	
3,066,980	A	12/1962	Clute	
3,947,903	A *	4/1976	Menke	5/111
3,994,529	A	11/1976	Lippert	
D252,658	S	8/1979	Kressin	
4,190,918	A	3/1980	Harvell	
4,541,666	A	9/1985	Vanderminde	

**OTHER PUBLICATIONS**

OurChairs [www.stadiumchair.com/theproducts.htm](http://www.stadiumchair.com/theproducts.htm) accessed Aug. 4, 2014).

\* cited by examiner



*Primary Examiner* — Ricky Pham

*(74) Attorney, Agent, or Firm* — FisherBroyles, LLP;  
Anthony J. DoVale

(57)

**CLAIM**

The ornamental design for a stadium chair, as shown and described.

**DESCRIPTION**

FIG. 1 is a front left perspective view of a first embodiment of a stadium chair of the present application, the stadium chair in a closed position;

FIG. 2 is a bottom left perspective view of the stadium chair of FIG. 1 in the closed position;

FIG. 3 is a top view of the stadium chair of FIG. 1 in the closed position;

FIG. 4 is a bottom view of the stadium chair of FIG. 1 in the closed position;

FIG. 5 is a left view of the stadium chair of FIG. 1 in the closed position;

FIG. 6 is a right view of the stadium chair of FIG. 1 in the closed position;

FIG. 7 is a front view of the stadium chair of FIG. 1 in the closed position;

FIG. 8 is a back view of the stadium chair of FIG. 1 in the closed position;

FIG. 9 is a front left perspective view of the stadium chair of FIG. 1 in an open position;

FIG. 10 is a top view of the stadium chair of FIG. 1 in the open position;

FIG. 11 is a bottom view of the stadium chair of FIG. 1 in the open position;

FIG. 12 is a left view of the stadium chair of FIG. 1 in the open position;

FIG. 13 is a right view of the stadium chair of FIG. 1 in the open position;

FIG. 14 is a front view of the stadium chair of FIG. 1 in the open position;

FIG. 15 is a back view of the stadium chair of FIG. 1 in the open position;

FIG. 16 is a front left perspective view of a second embodiment of a stadium chair of the present application, the stadium chair in an open position;

FIG. 17 is a top view of the stadium chair of FIG. 16 in the open position;

FIG. 18 is a bottom view of the stadium chair of FIG. 16 in the open position;

FIG. 19 is a left view of the stadium chair of FIG. 16 in the open position;

FIG. 20 is a right view of the stadium chair of FIG. 16 in the open position;

FIG. 21 is a front view of the stadium chair of FIG. 16 in the open position;

FIG. 22 is a back view of the stadium chair of FIG. 16 in the open position;

FIG. 23 is a front left perspective view of a third embodiment of a stadium chair of the present application, the stadium chair in an open position;

FIG. 24 is a top view of the stadium chair of FIG. 23 in the open position;

FIG. 25 is a bottom view of the stadium chair of FIG. 23 in the open position;

FIG. 26 is a left view of the stadium chair of FIG. 23 in the open position;

FIG. 27 is a right view of the stadium chair of FIG. 23 in the open position;

FIG. 28 is a front view of the stadium chair of FIG. 23 in the open position; and,

FIG. 29 is a back view of the stadium chair of FIG. 23 in the open position.

The broken lines shown in FIGS. 1-29 are for illustrative purposes only and form no part of the claimed design.

**1 Claim, 29 Drawing Sheets**

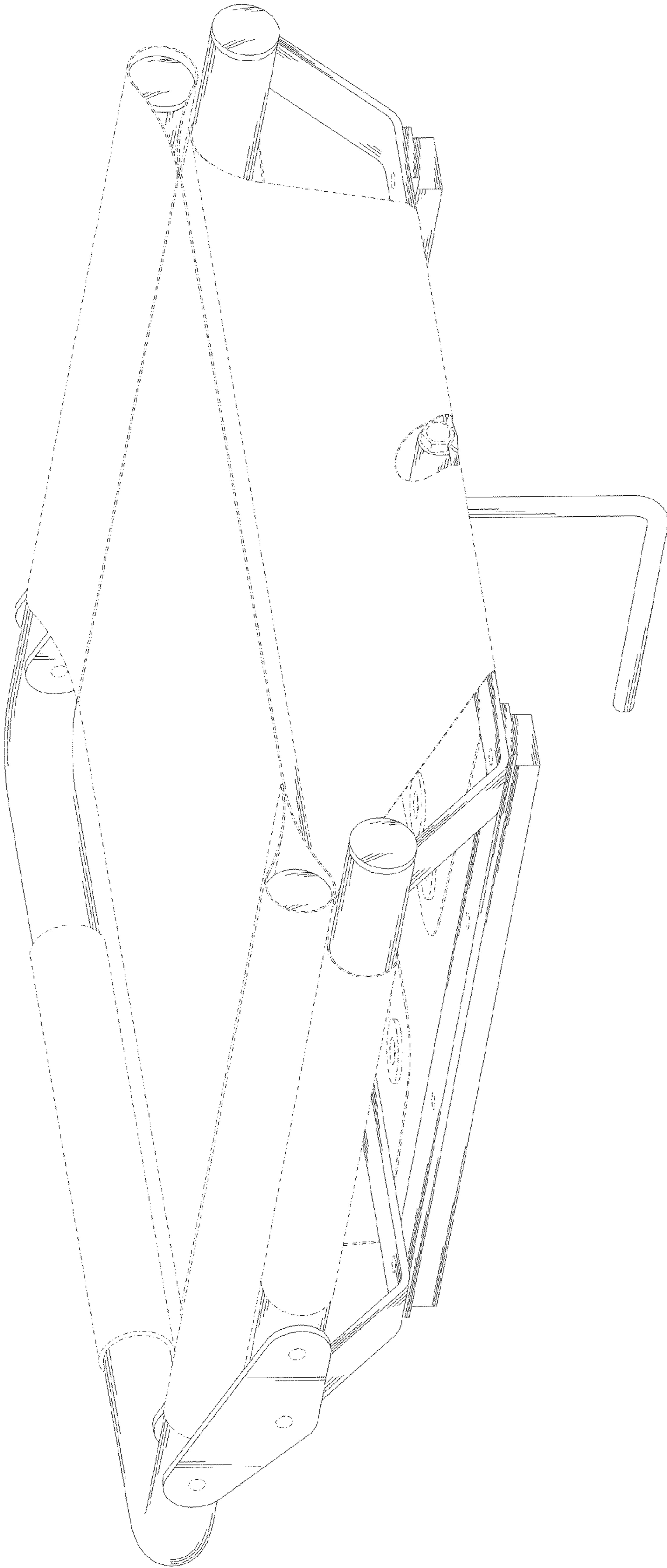


FIG. 1

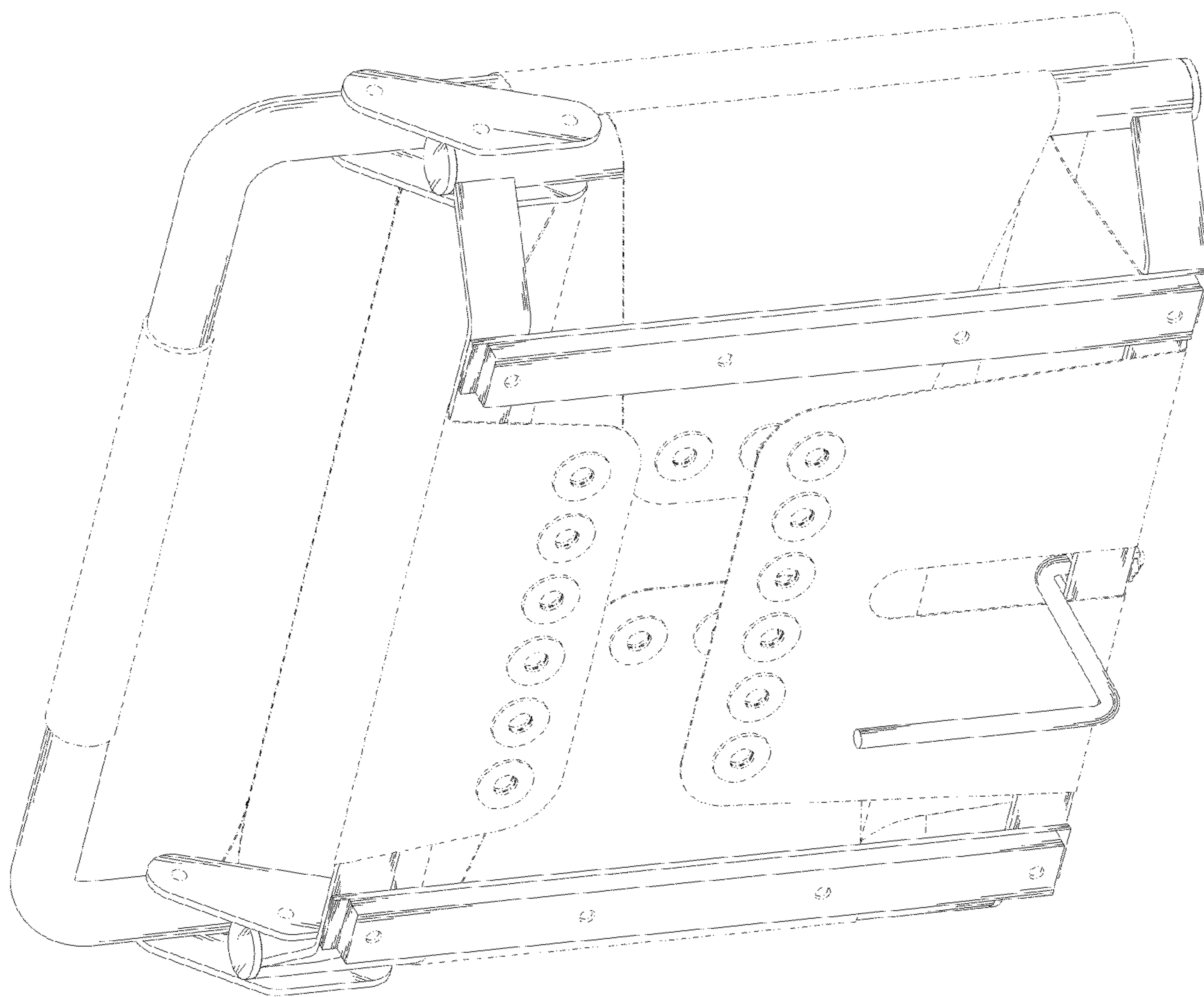


FIG. 2

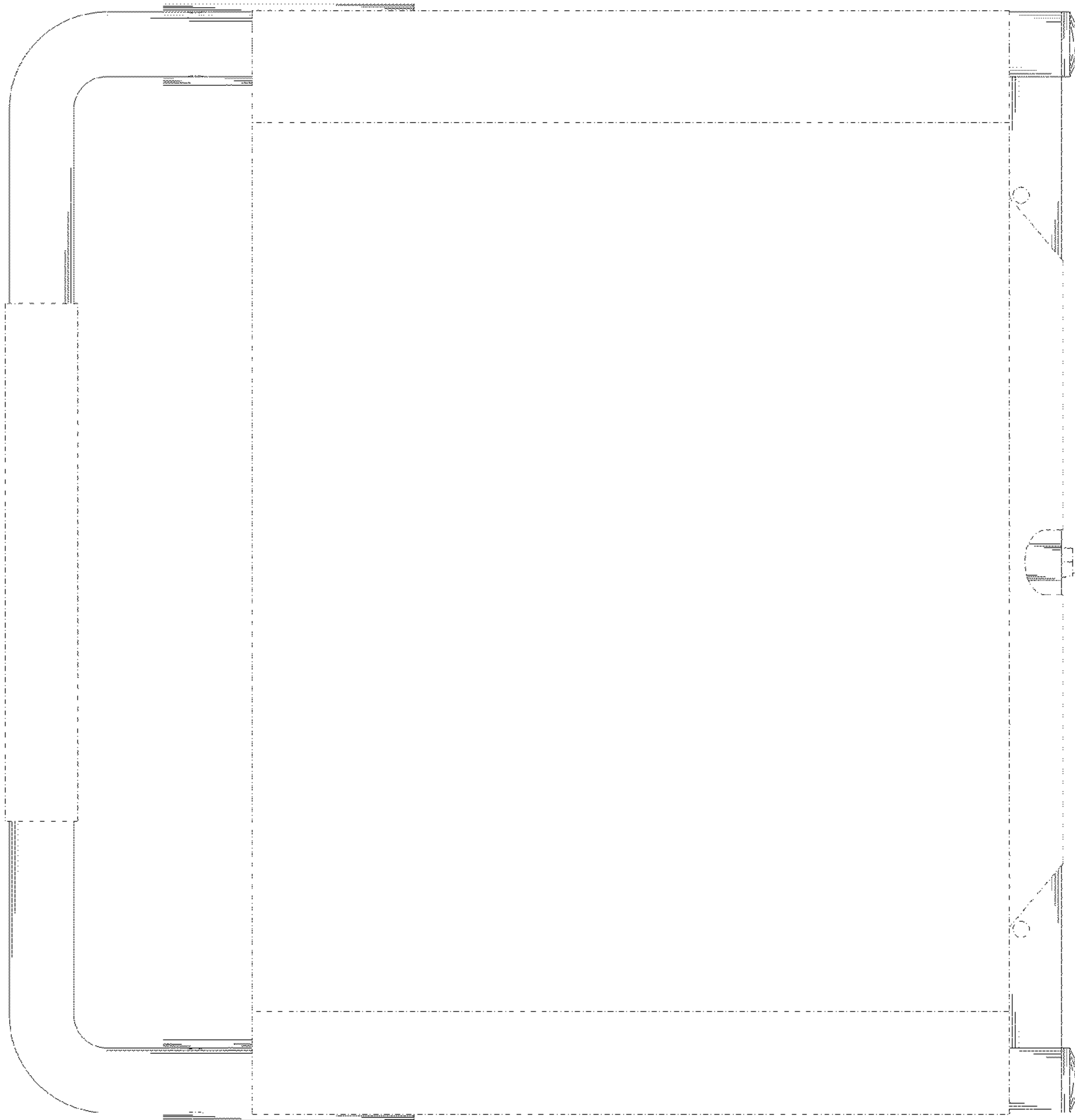


FIG. 3

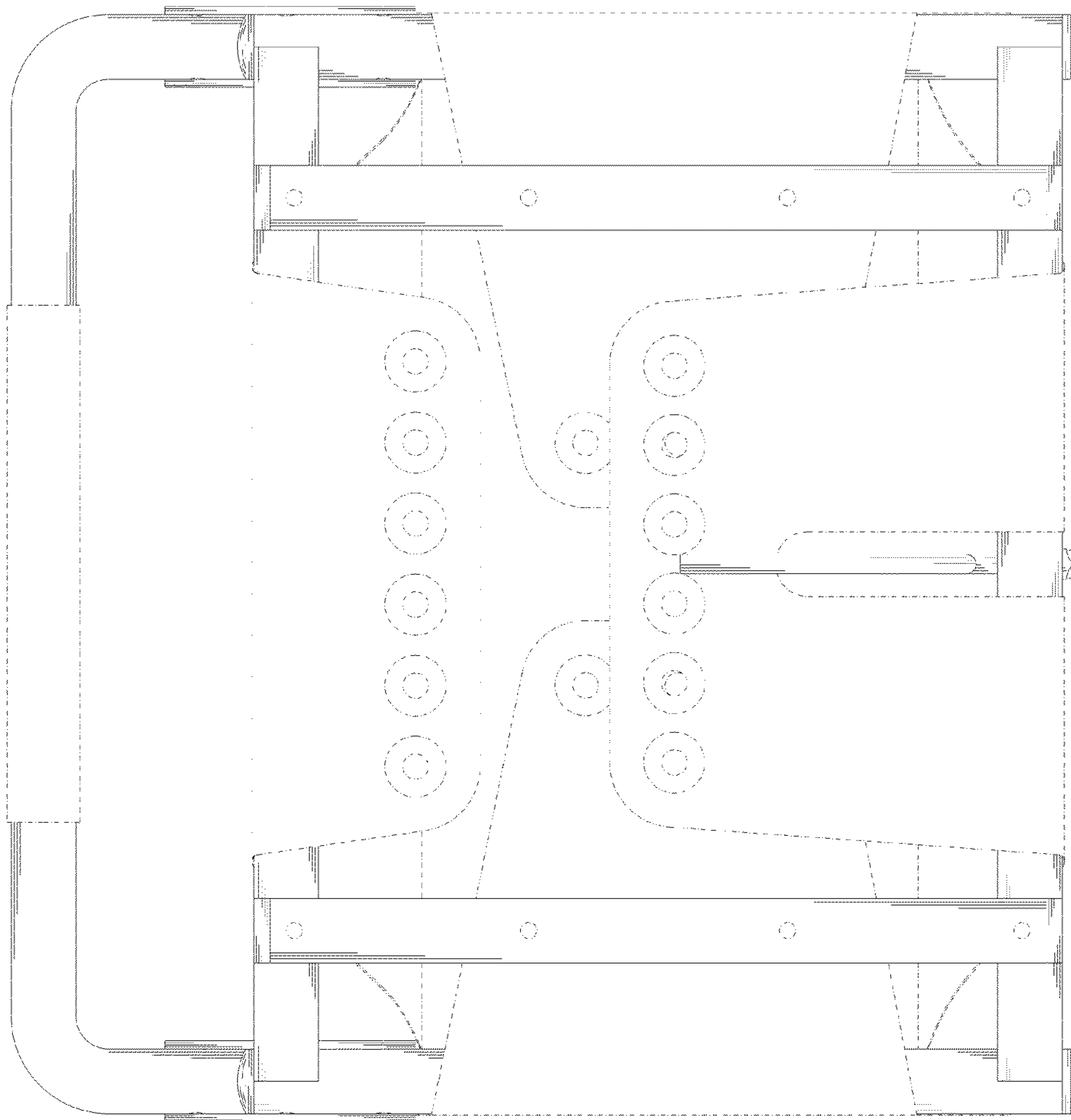


FIG. 4

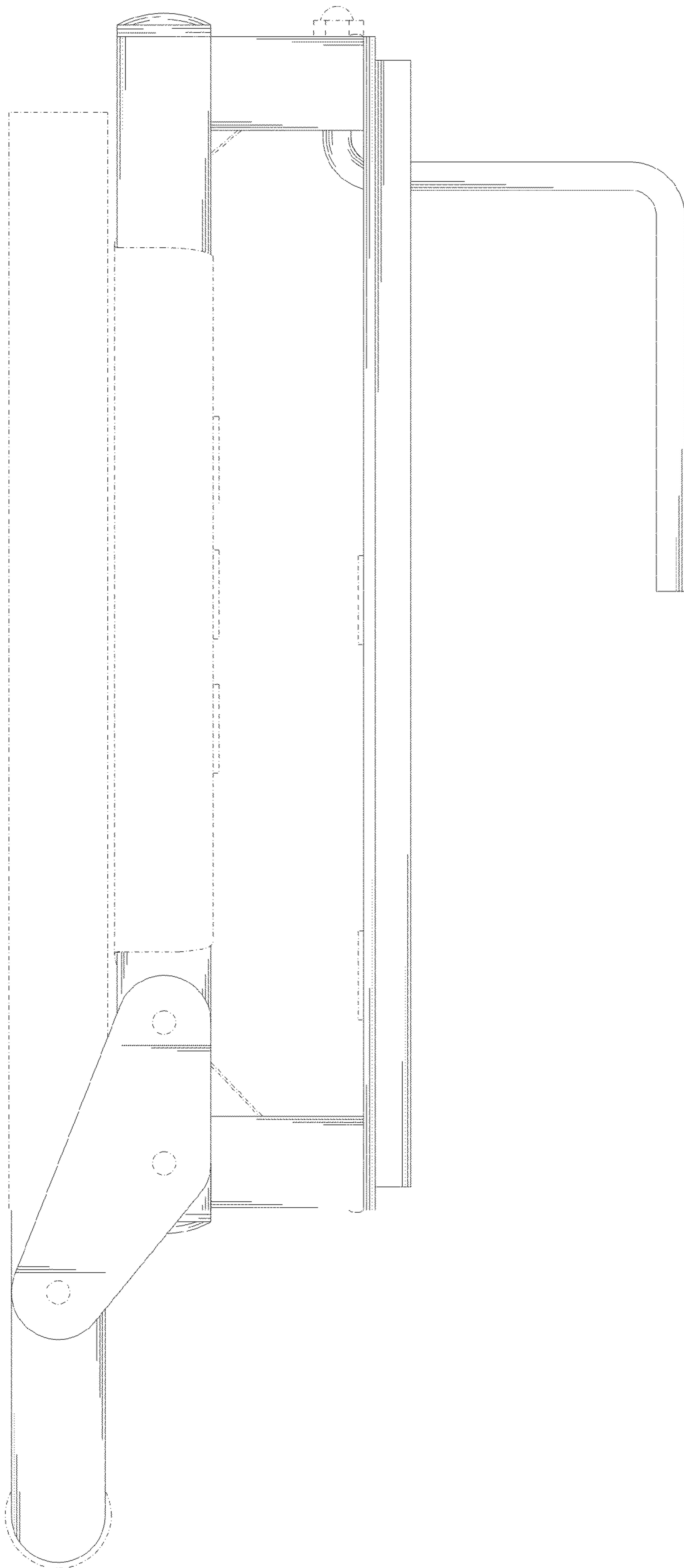


FIG. 5

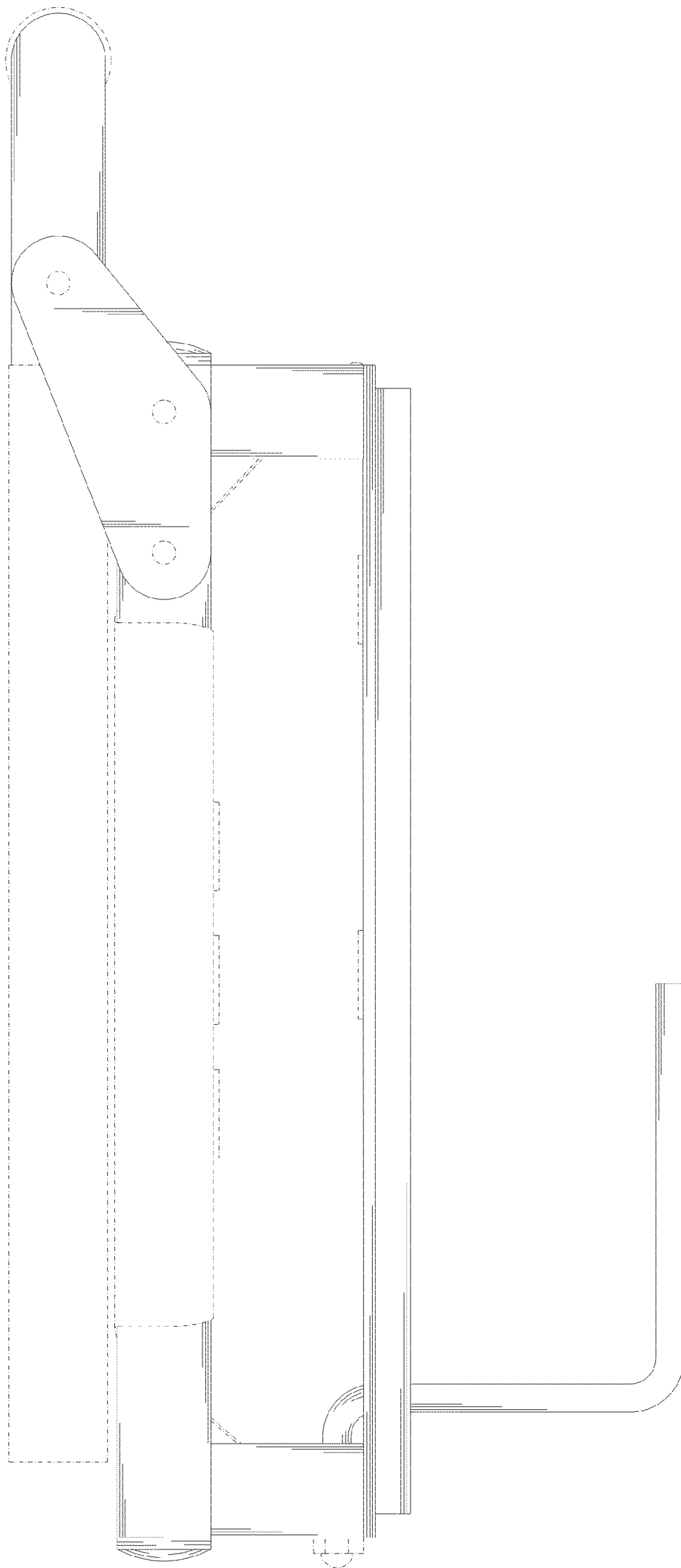


FIG. 6



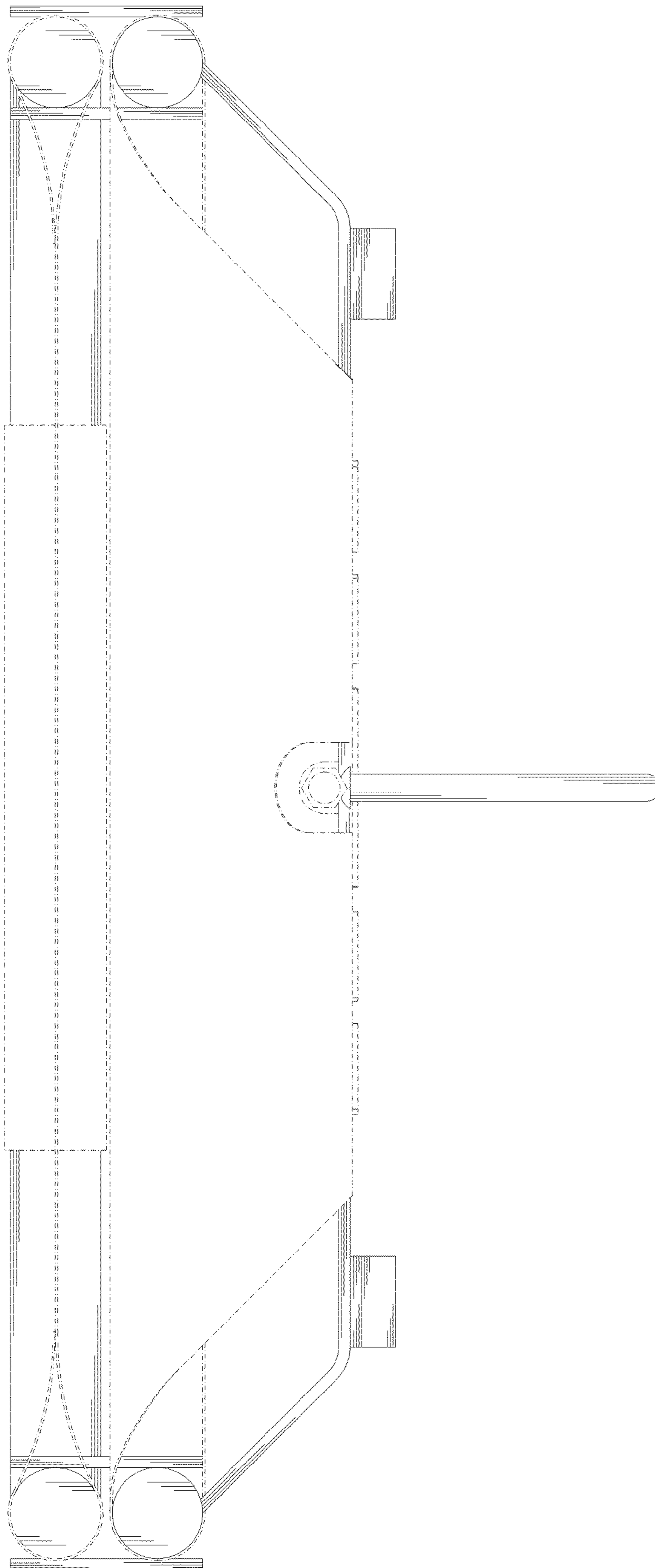


FIG. 7

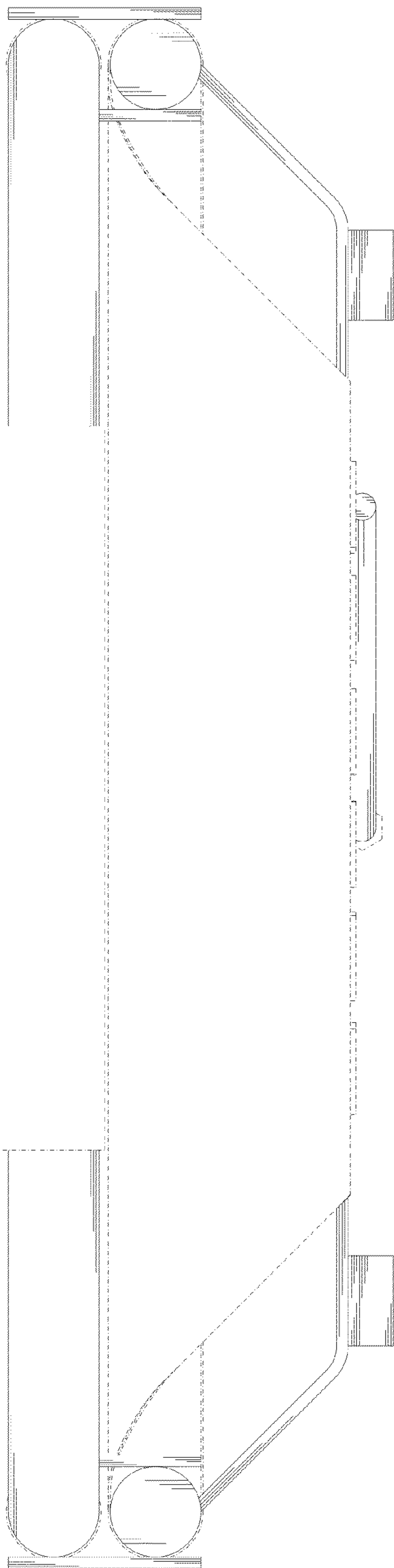


FIG. 8

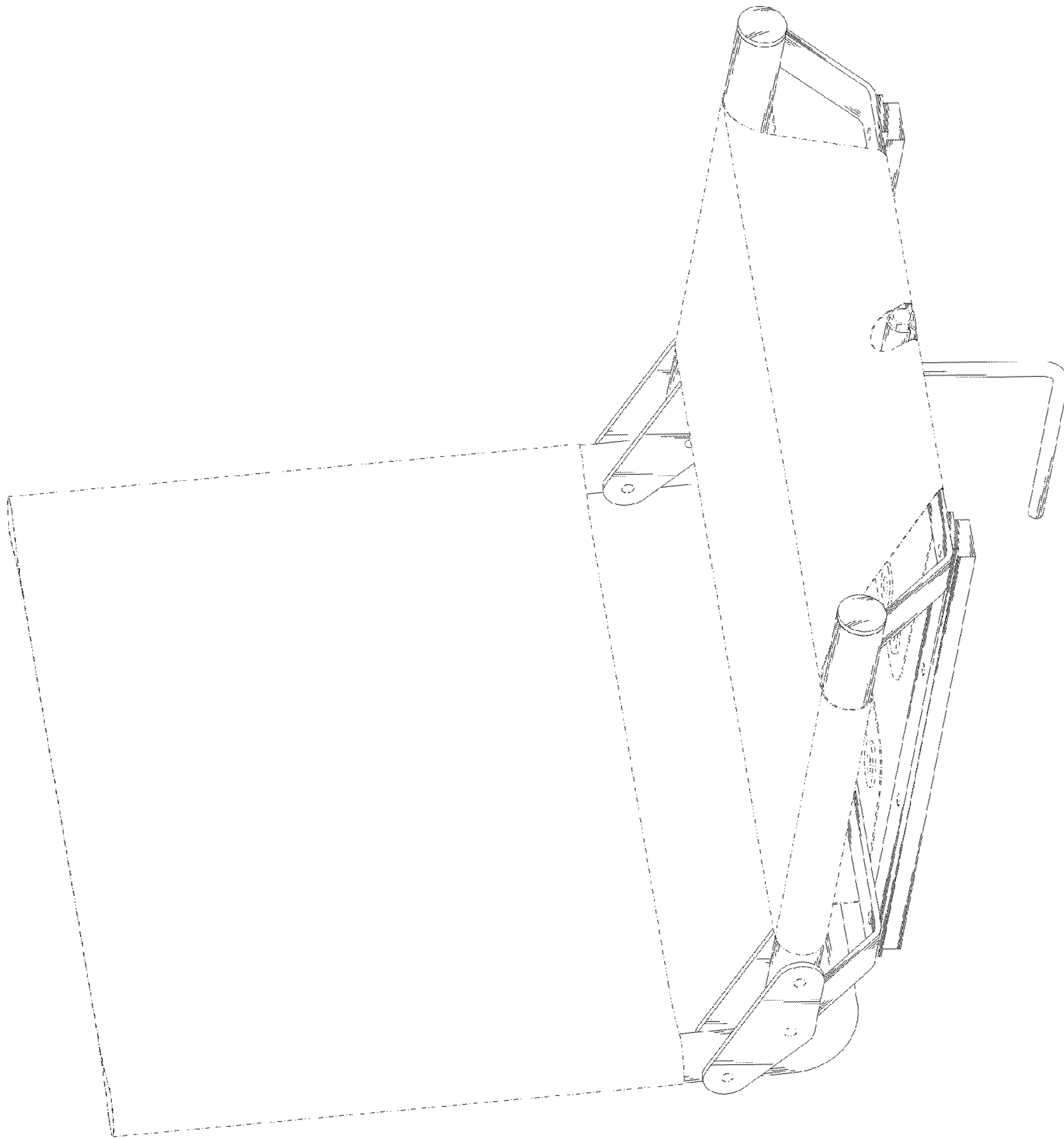


FIG. 9

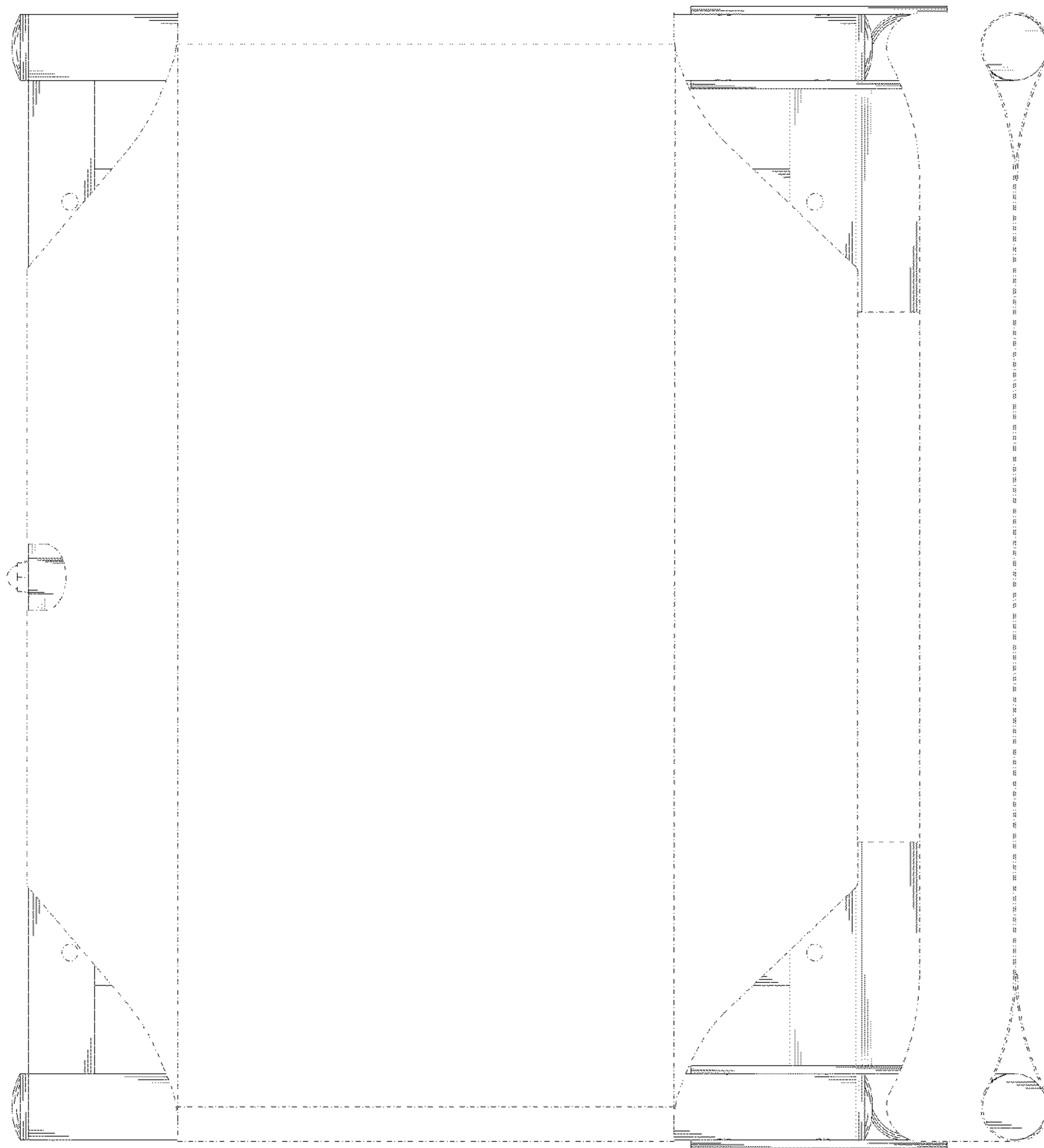


FIG. 10

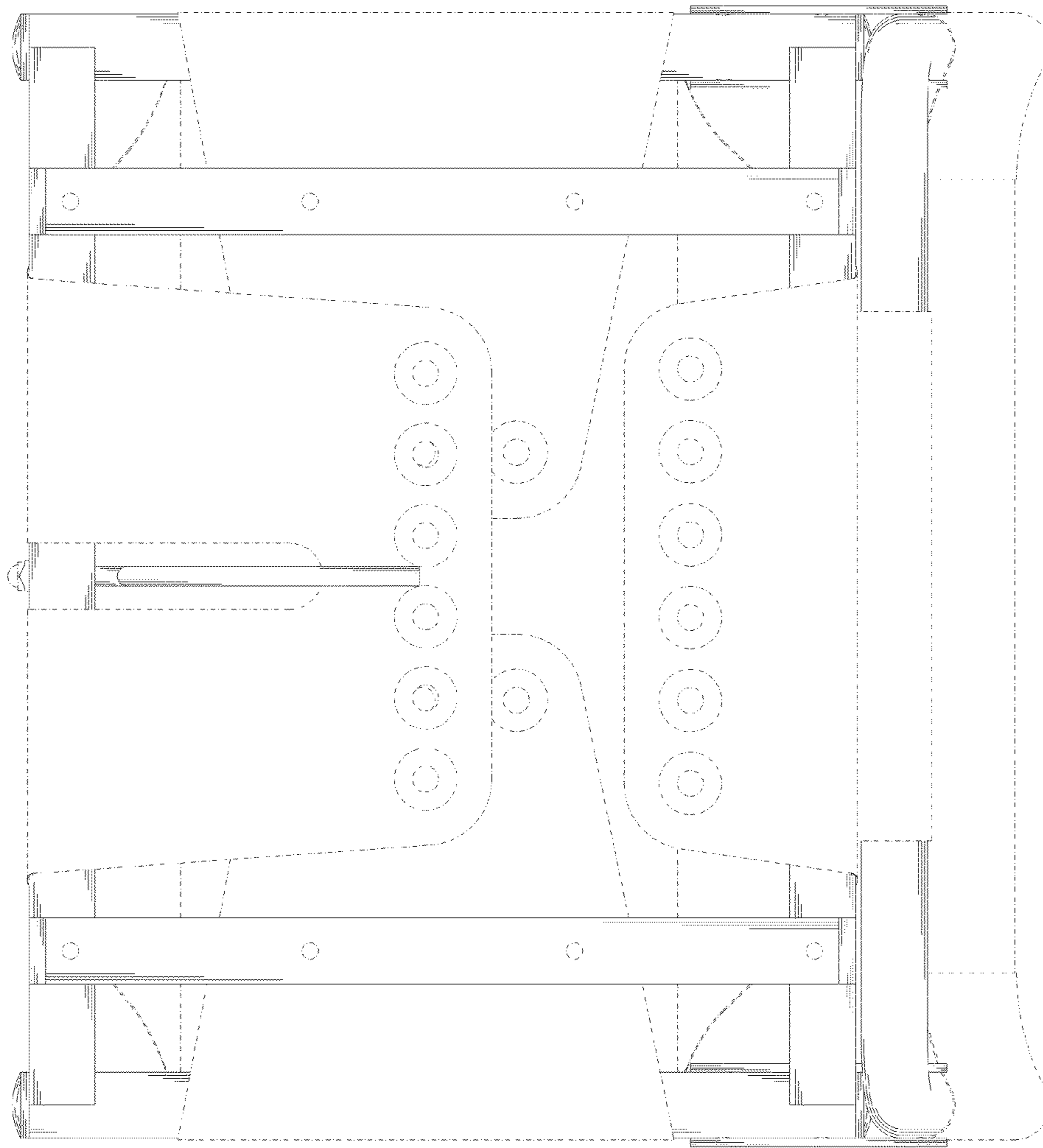


FIG. 11

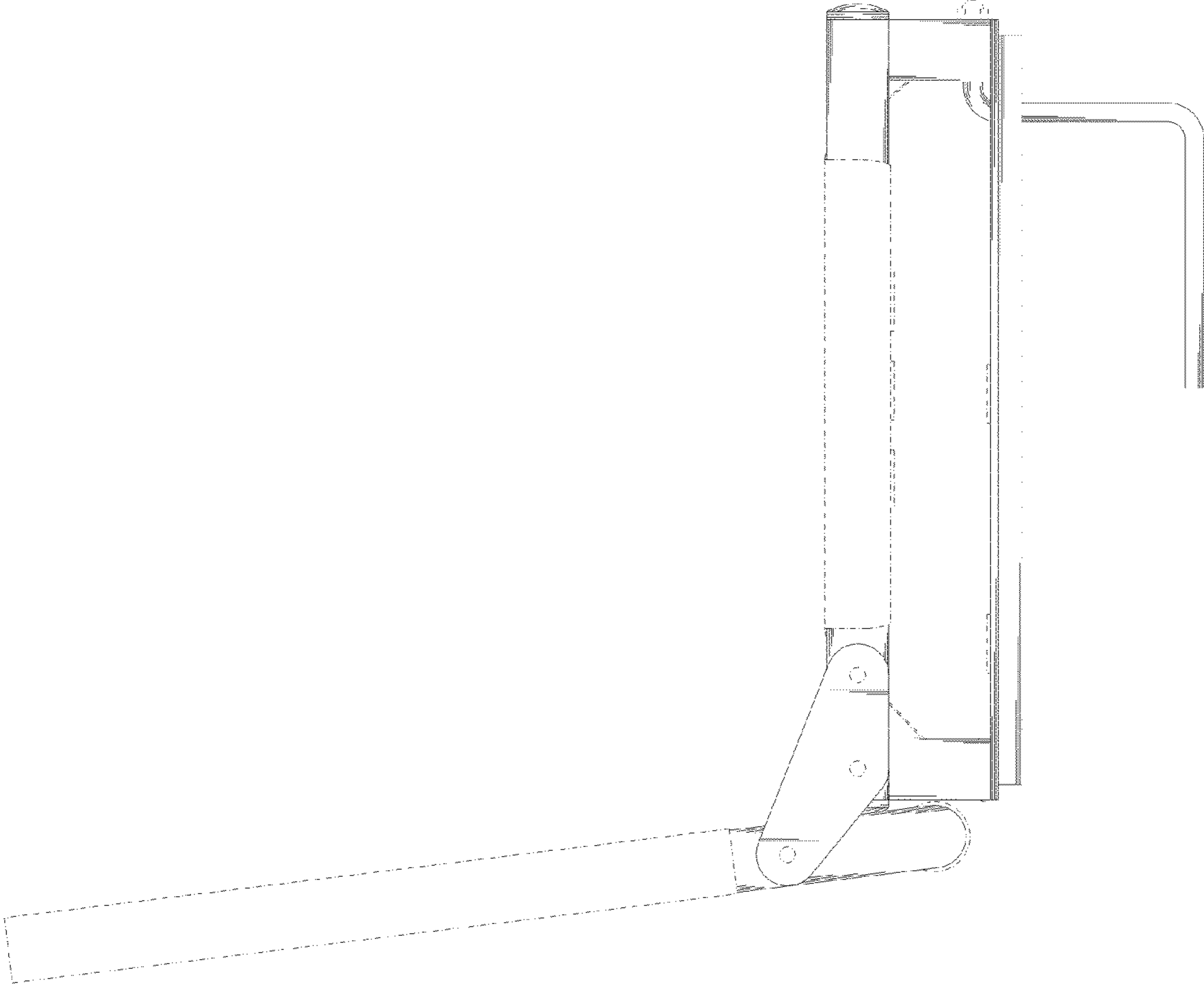


FIG. 12

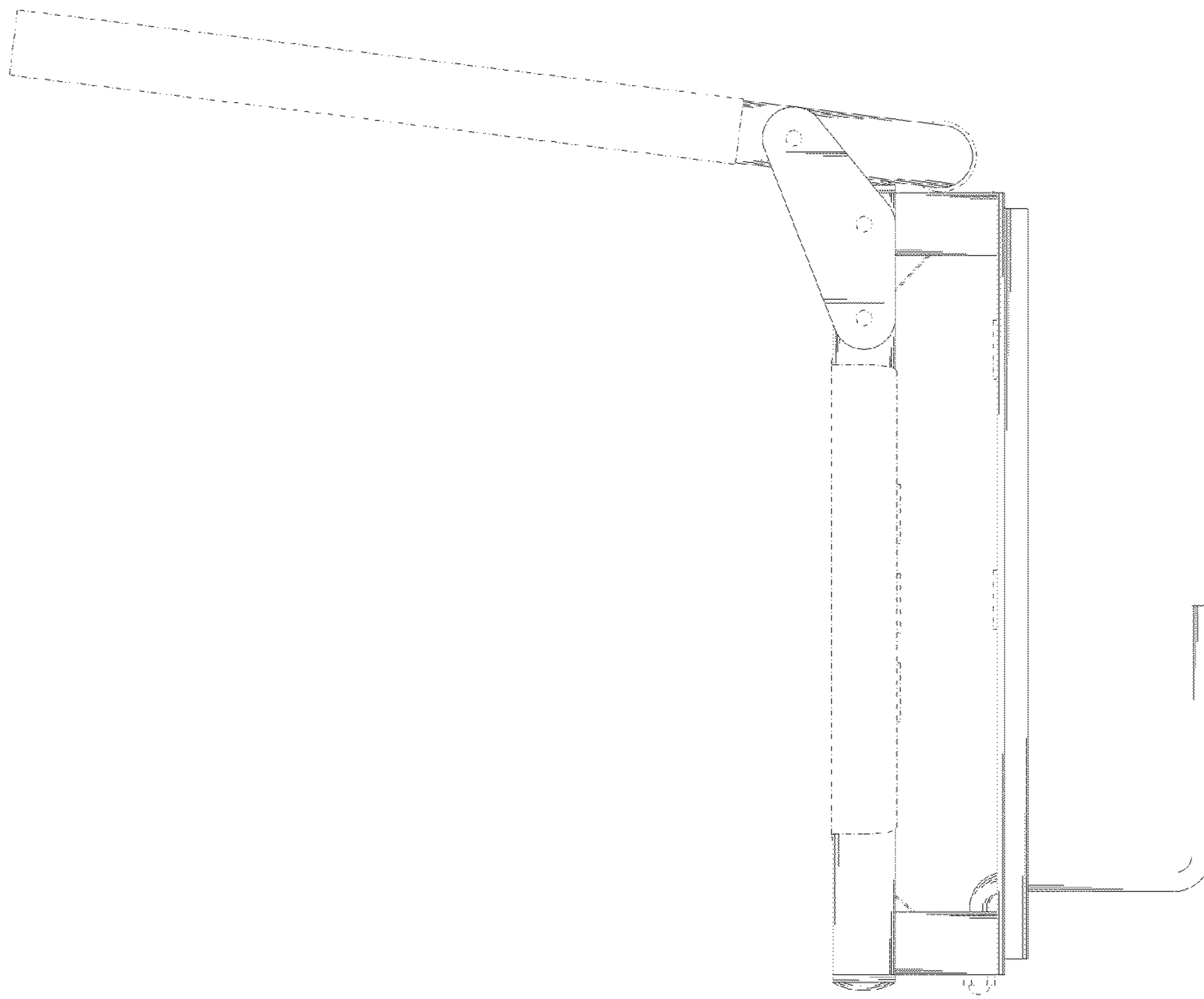


FIG. 13

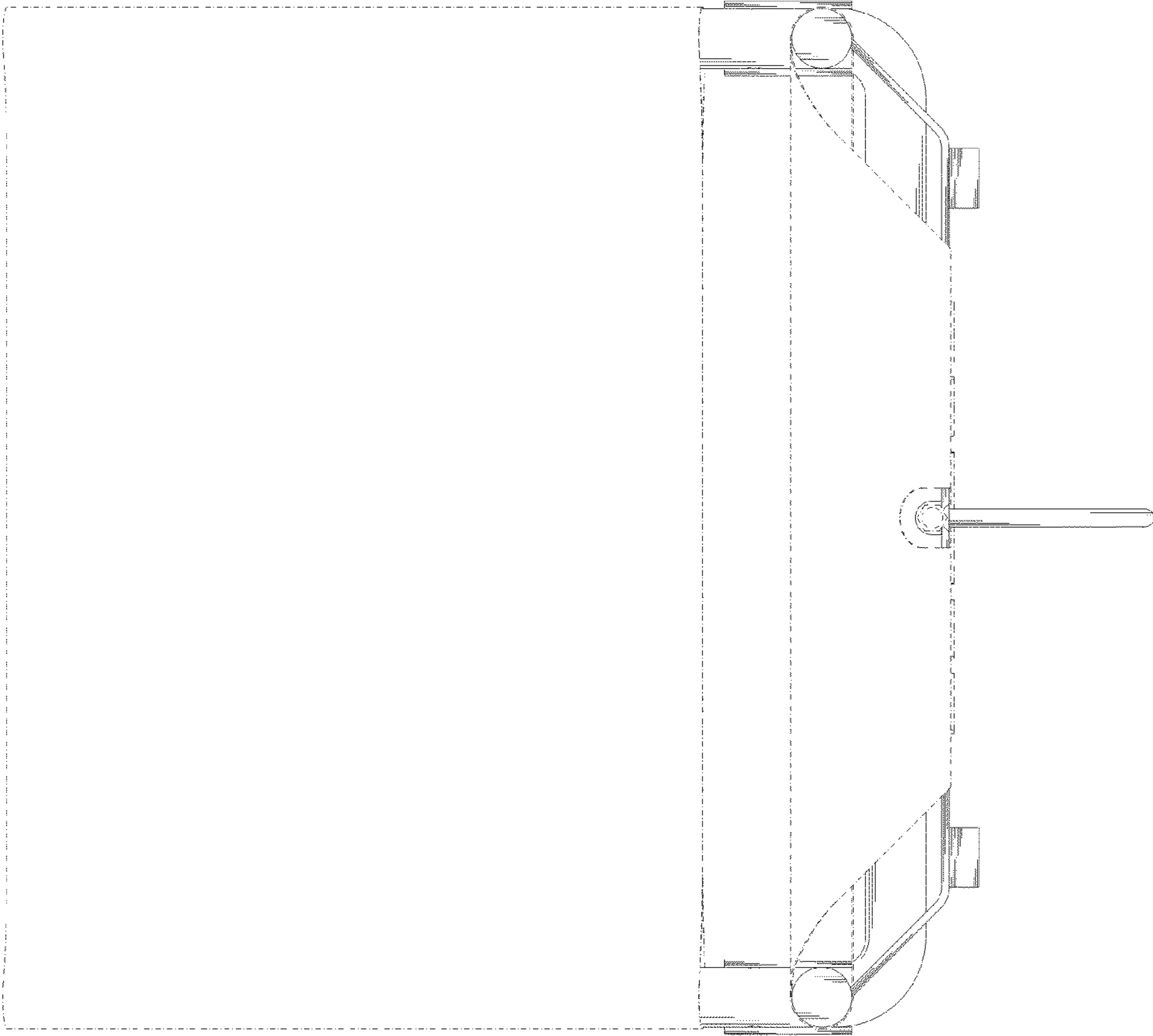


FIG. 14



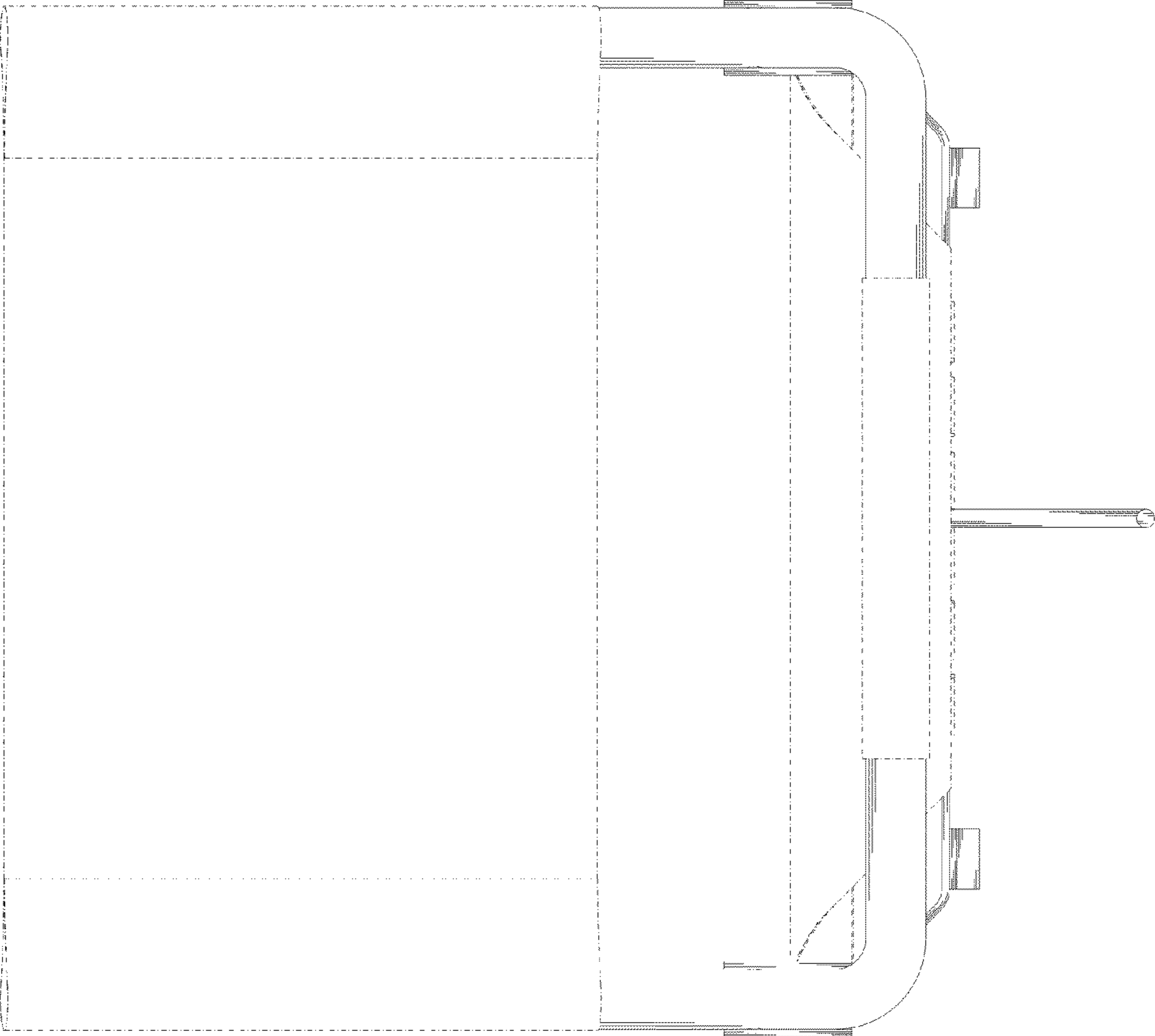


FIG. 15

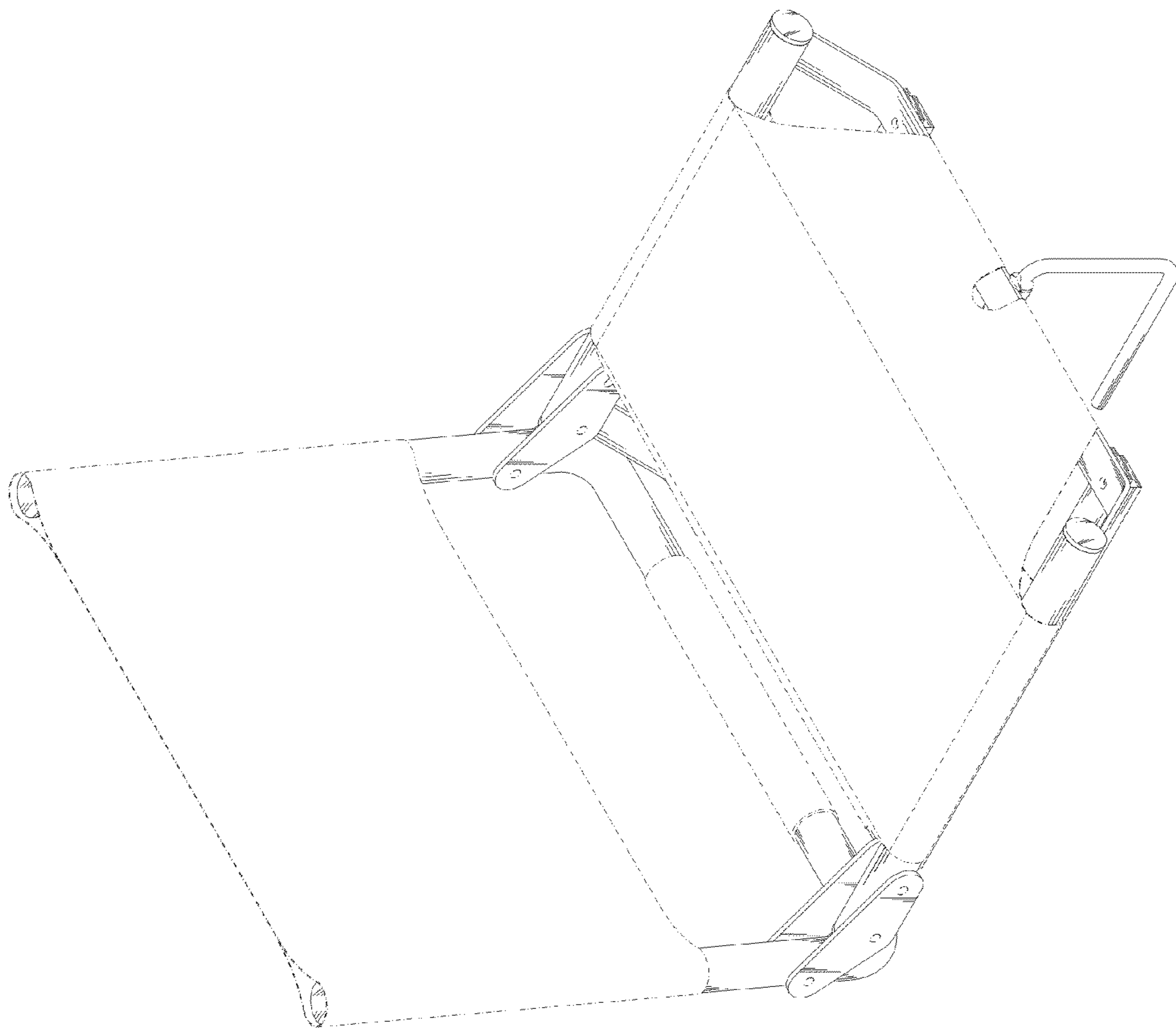


FIG. 16

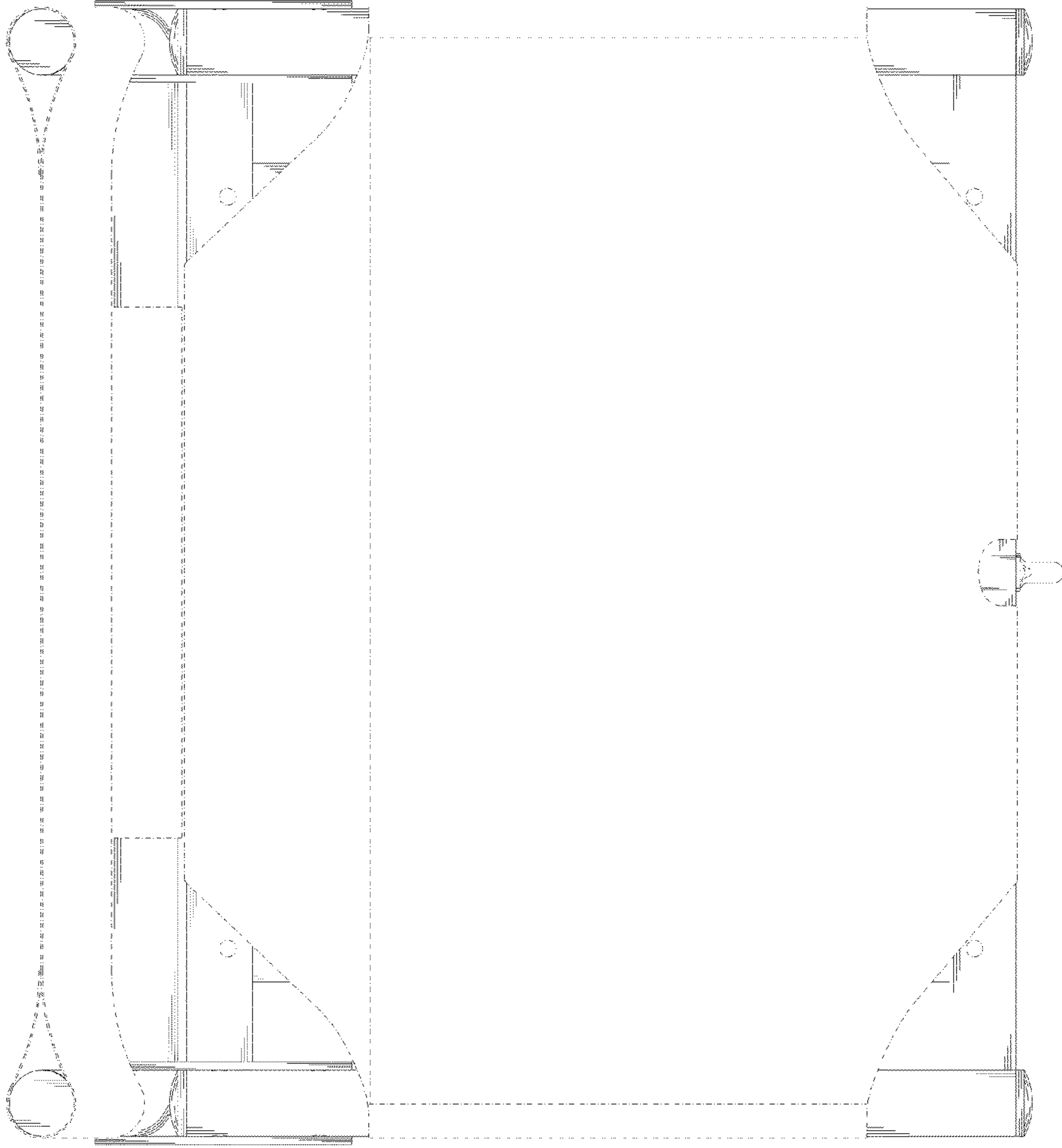


FIG. 17

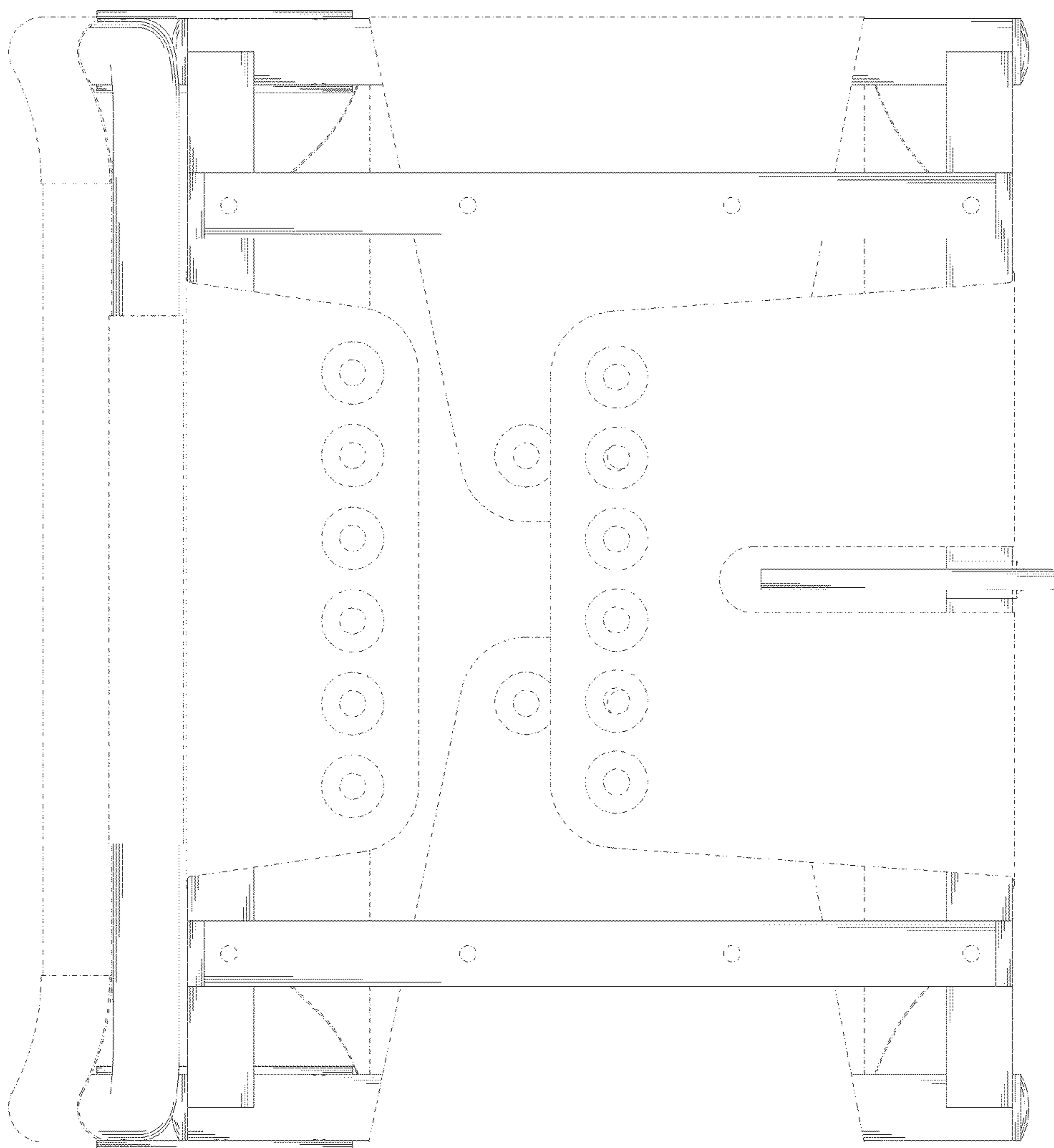


FIG. 18

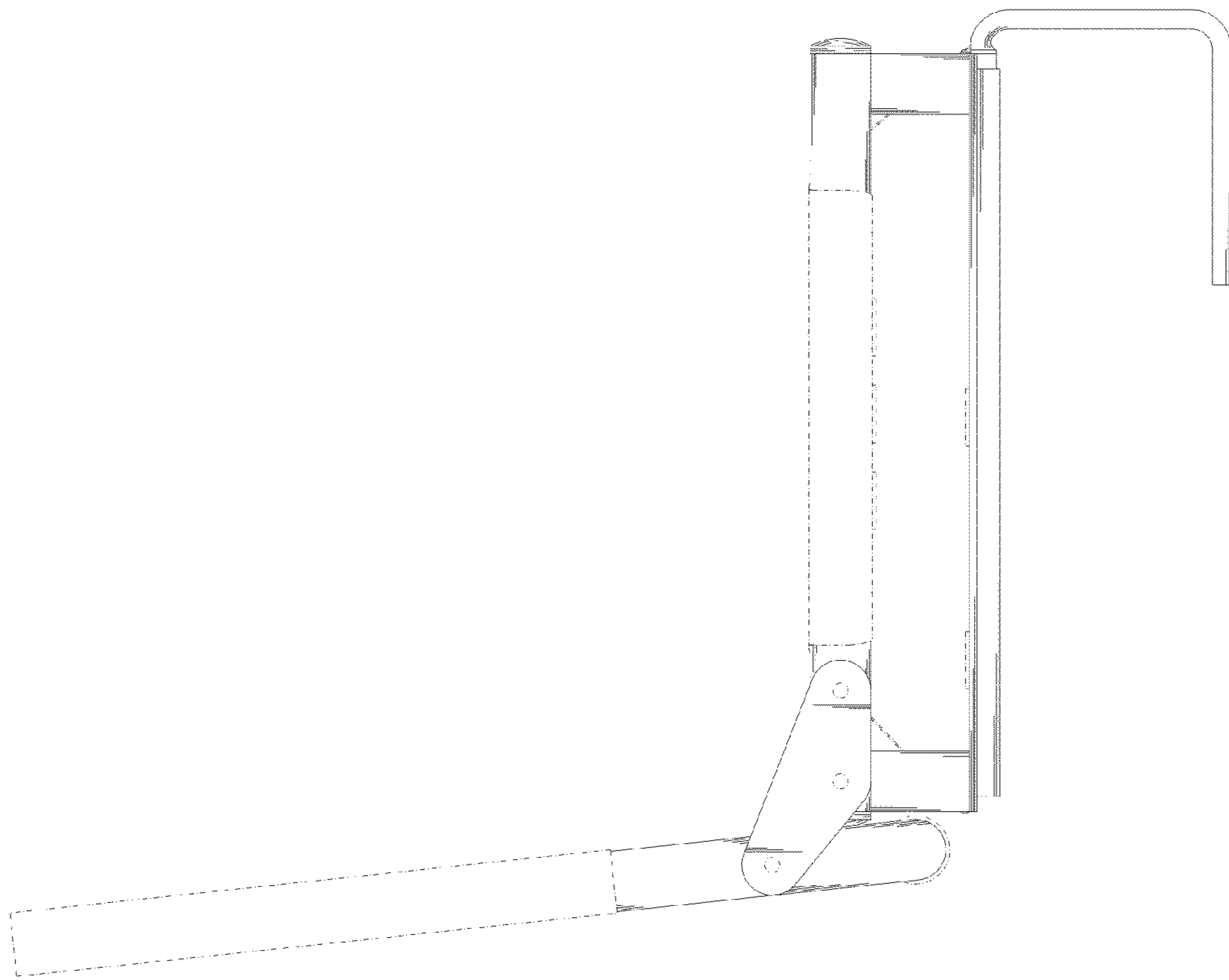


FIG. 19

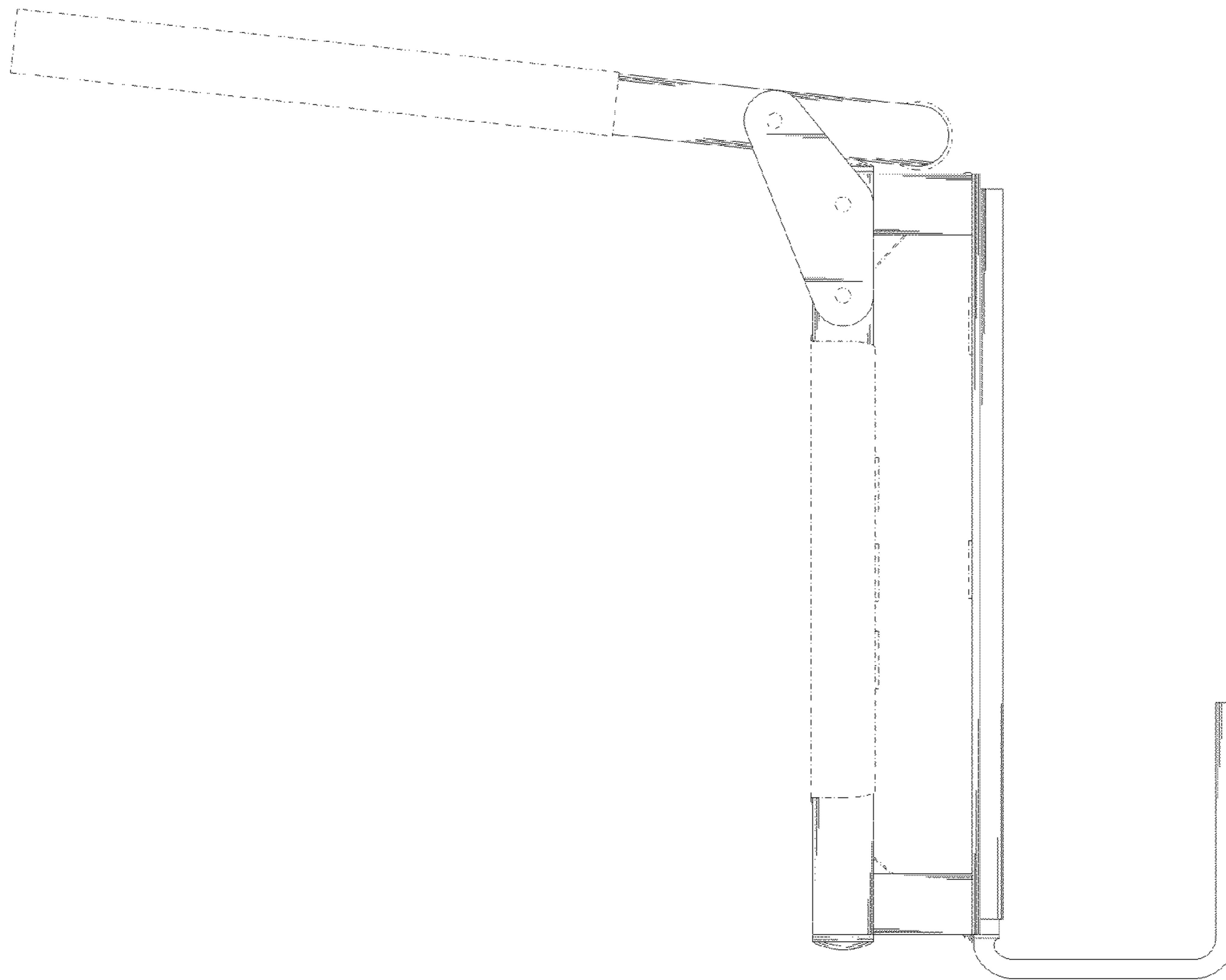


FIG. 20

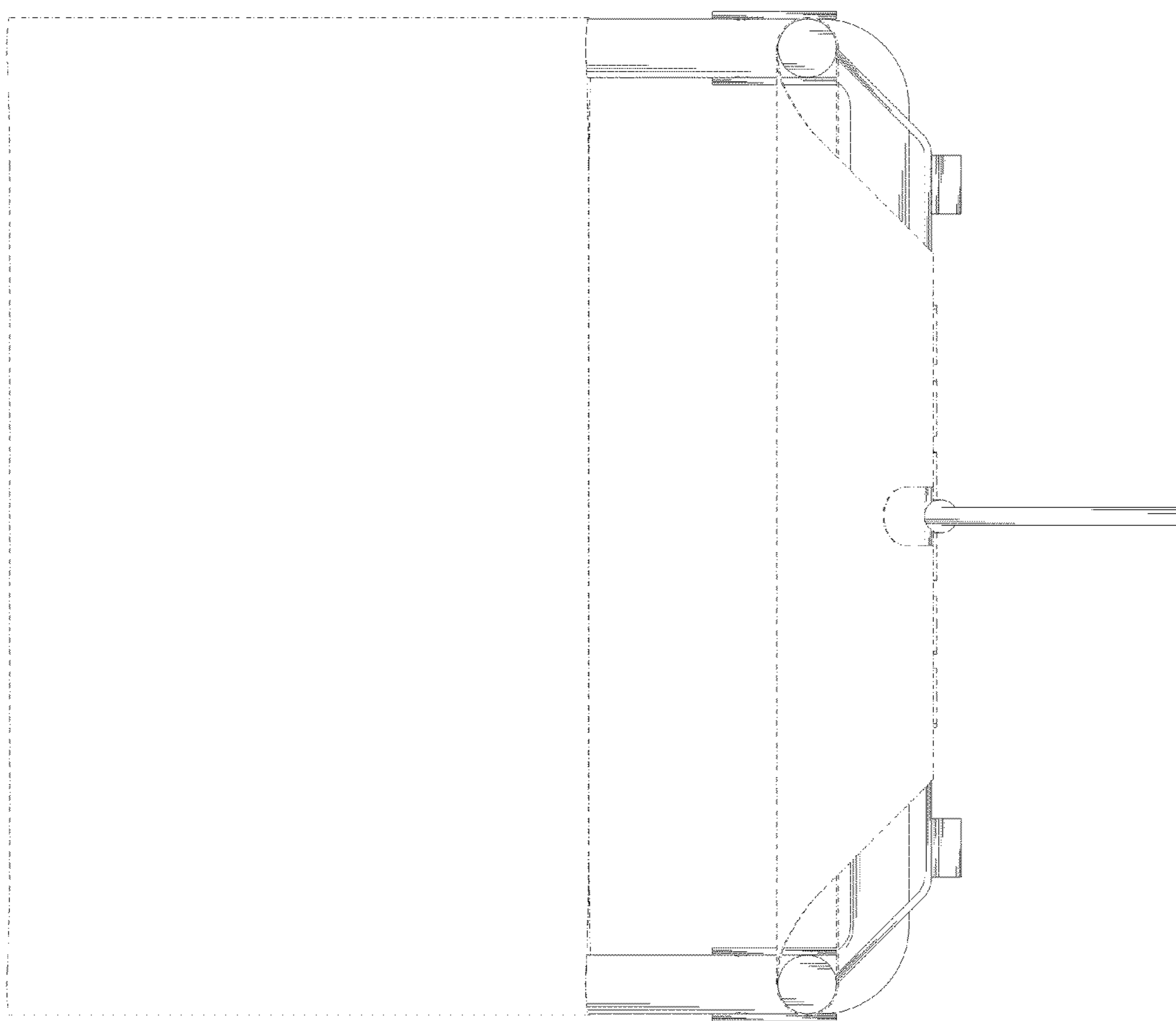


FIG. 21

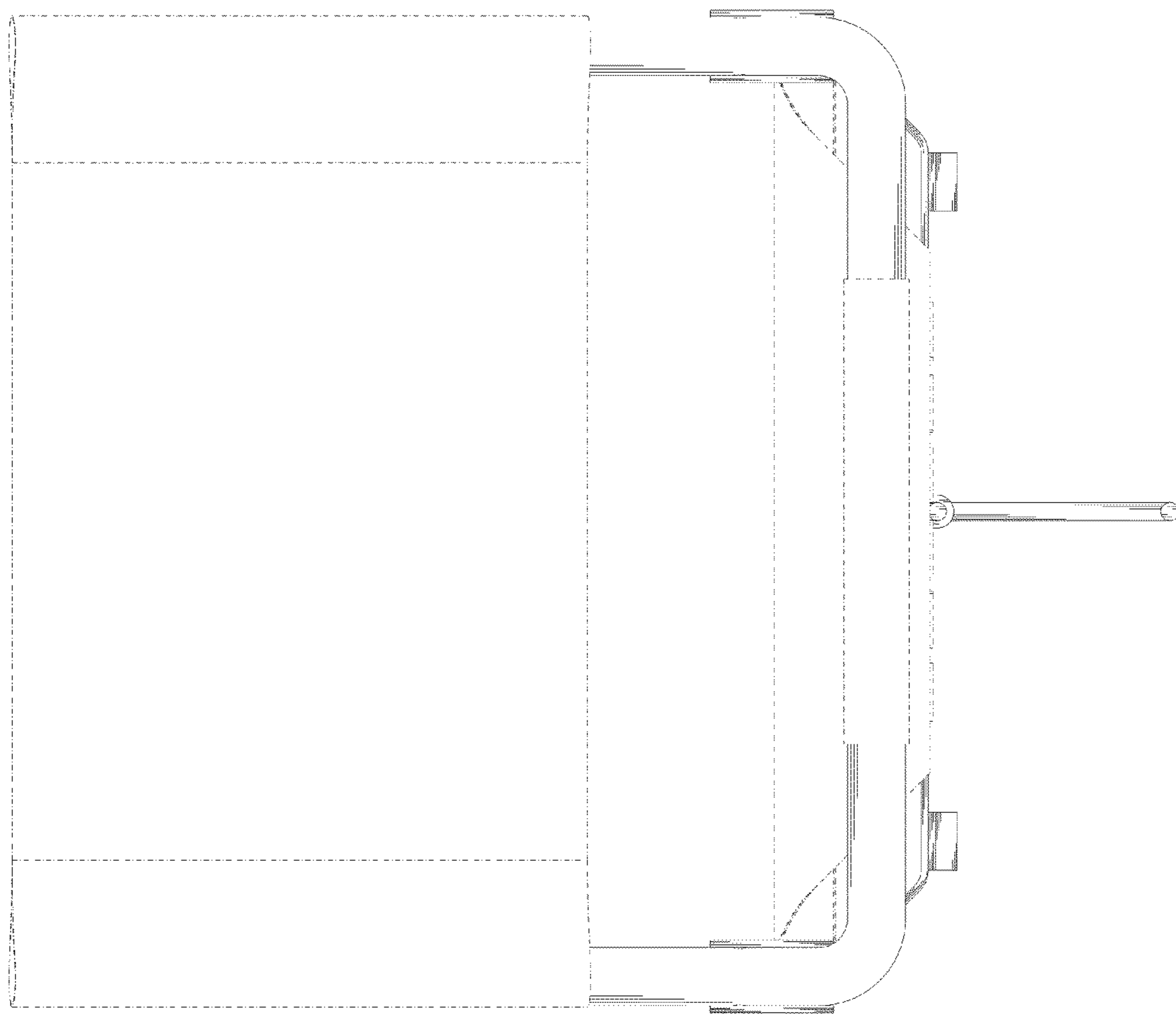


FIG. 22



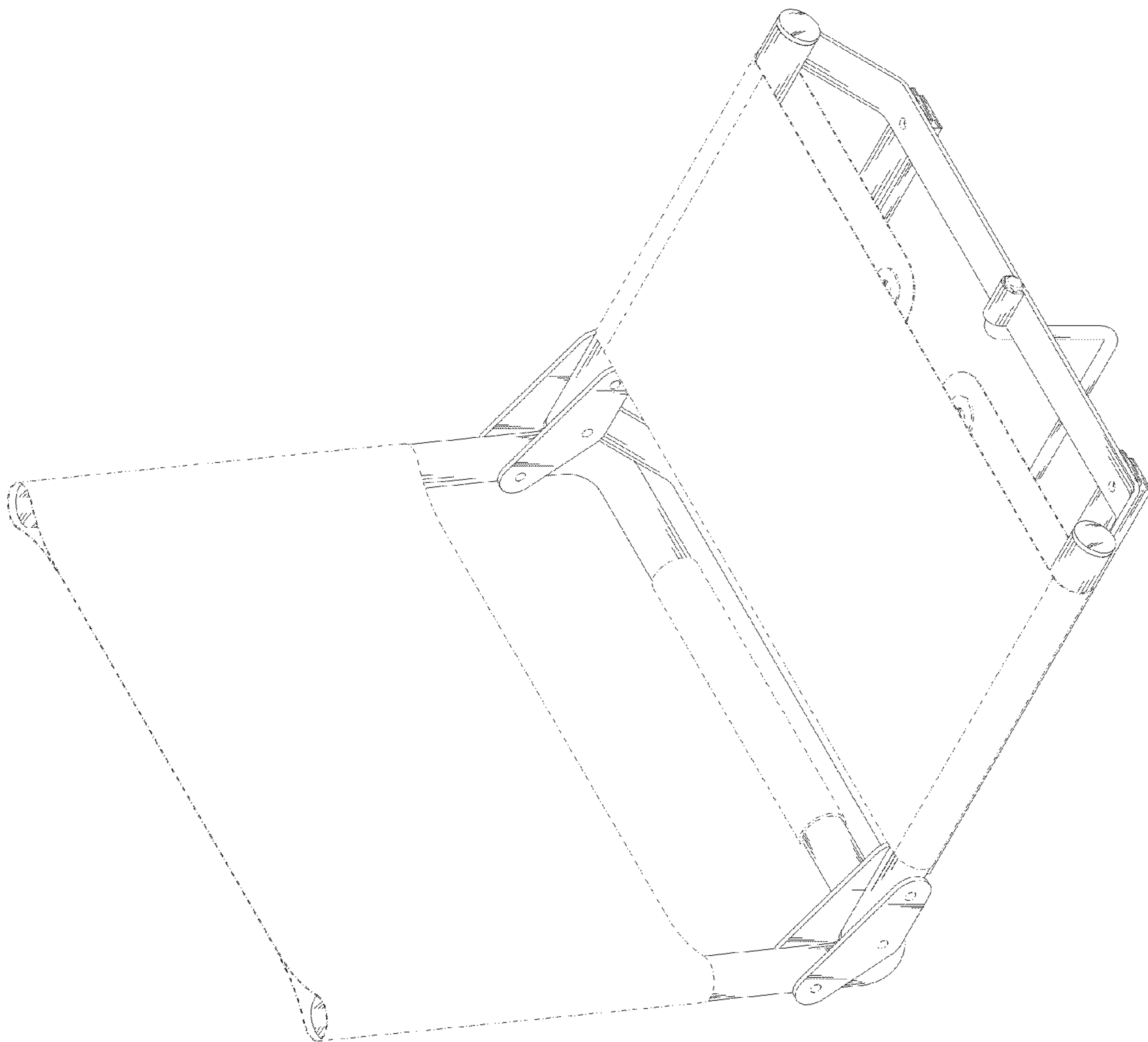


FIG. 23

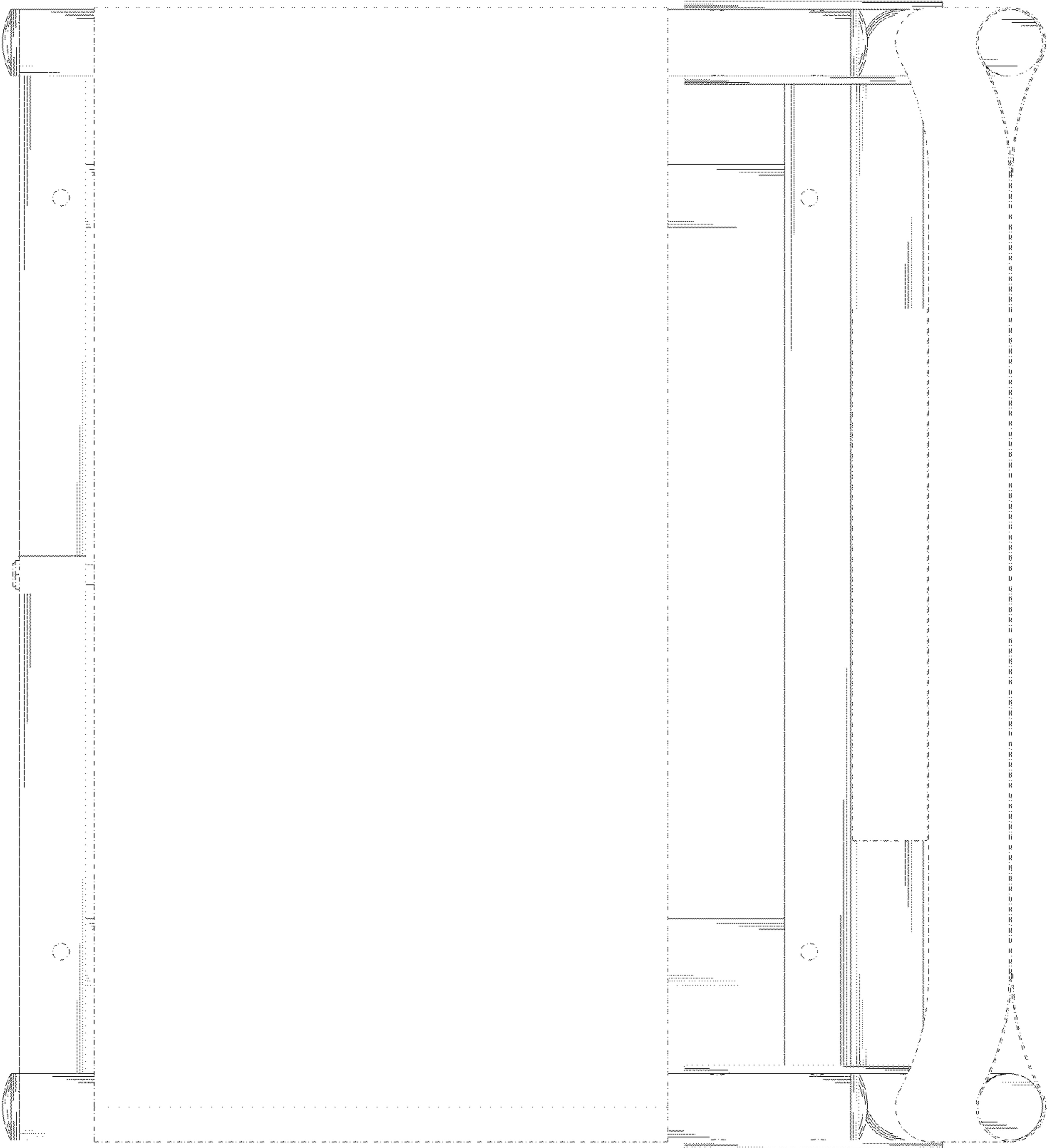


FIG. 24

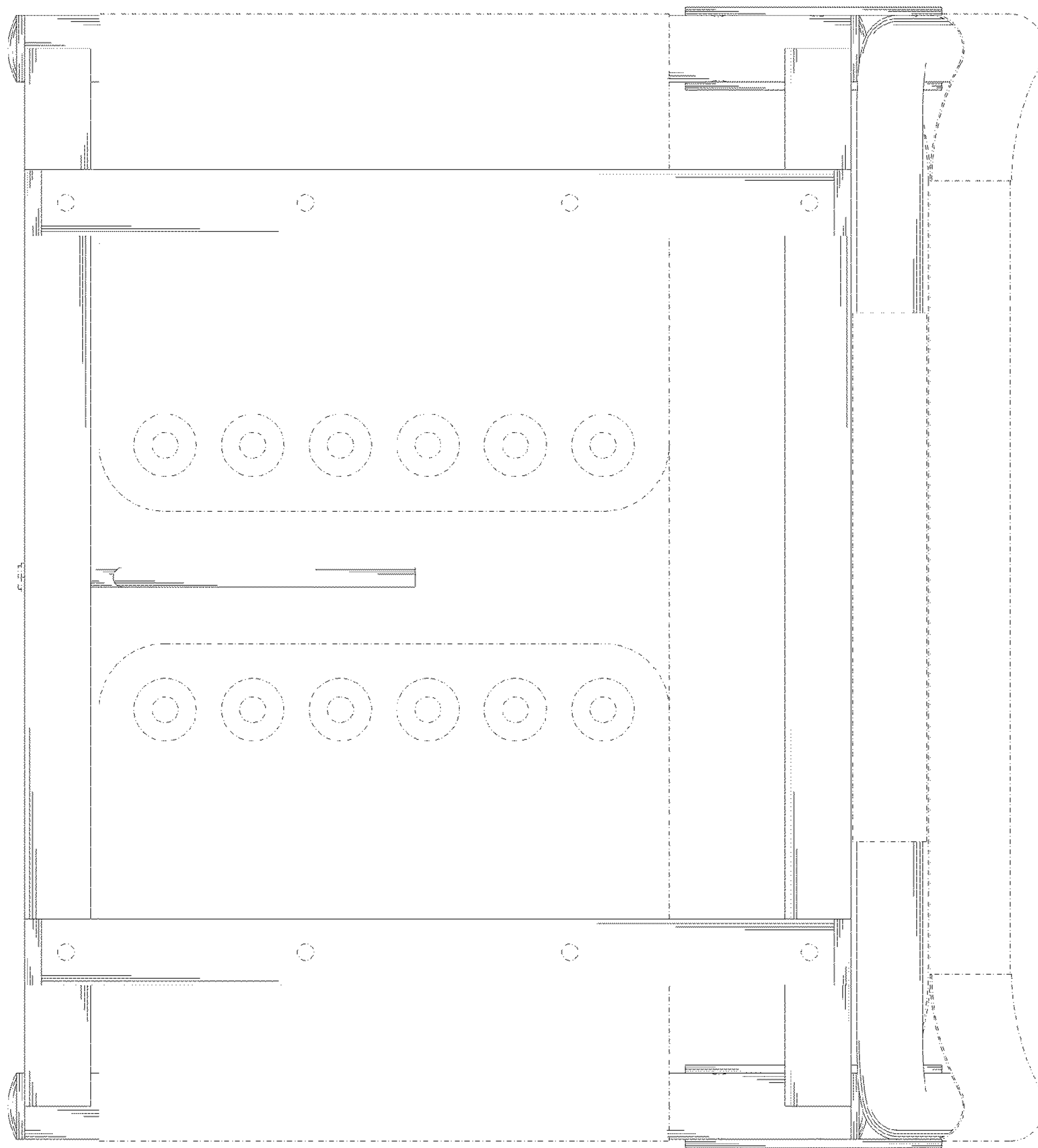


FIG. 25

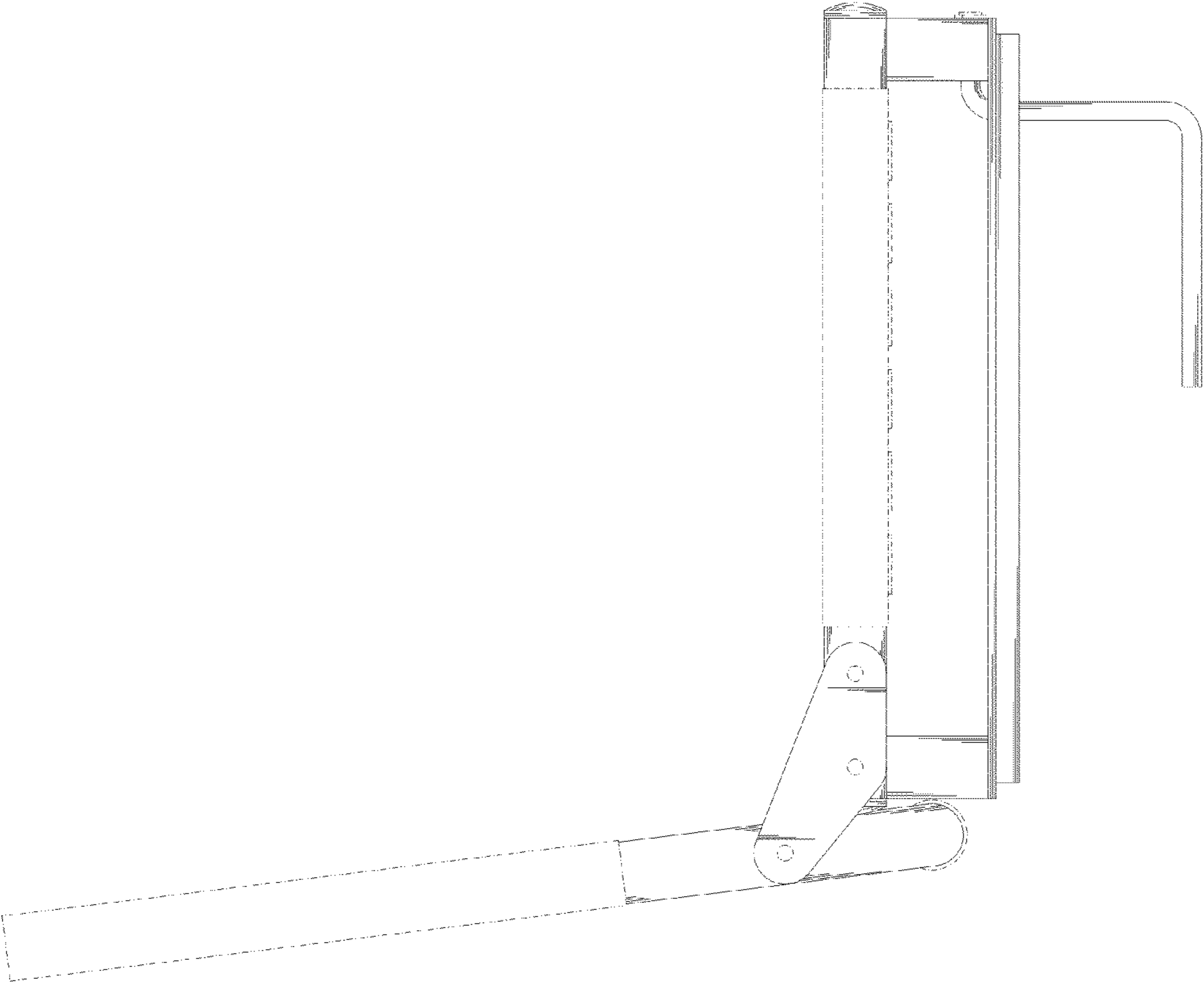


FIG. 26

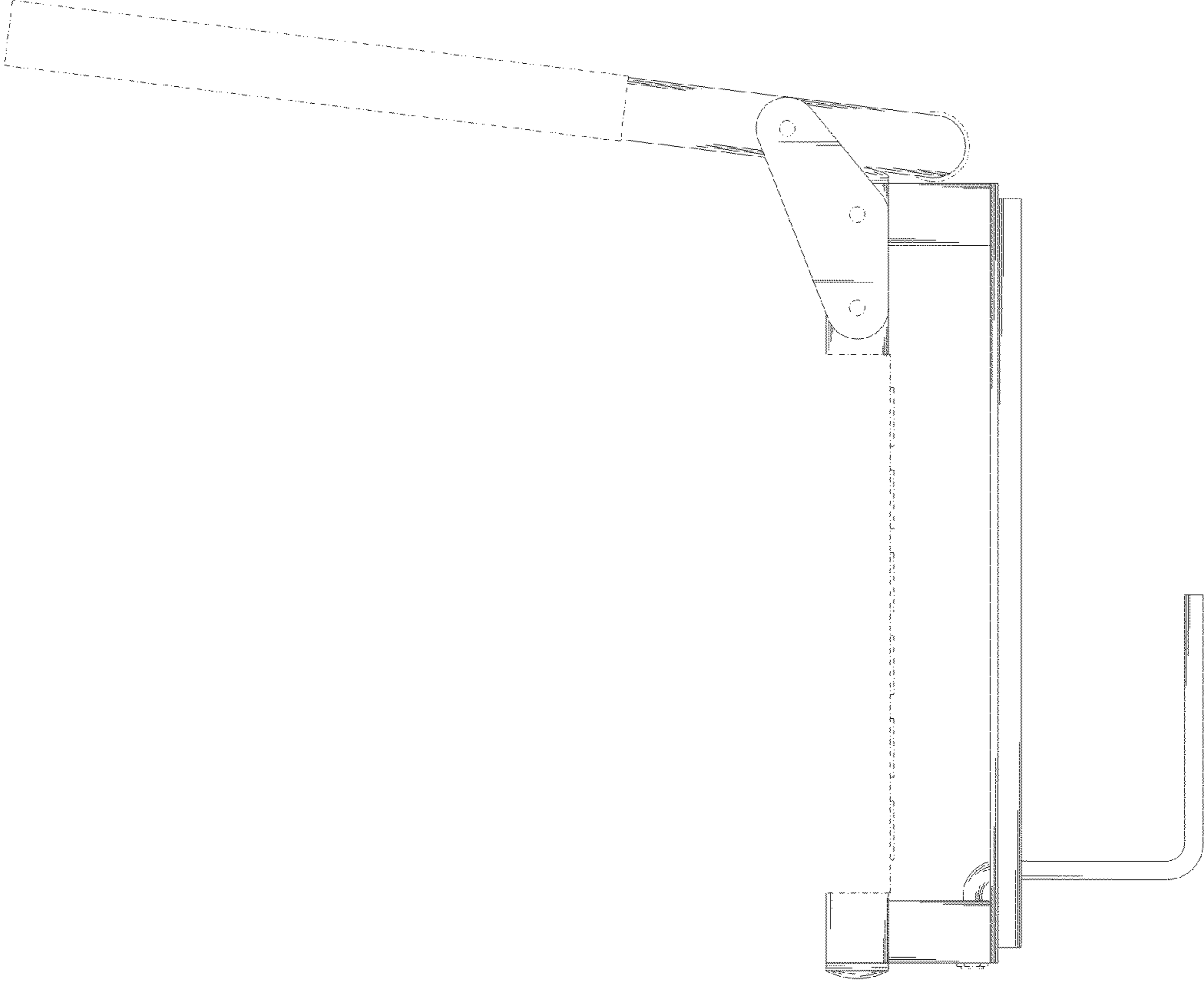


FIG. 27

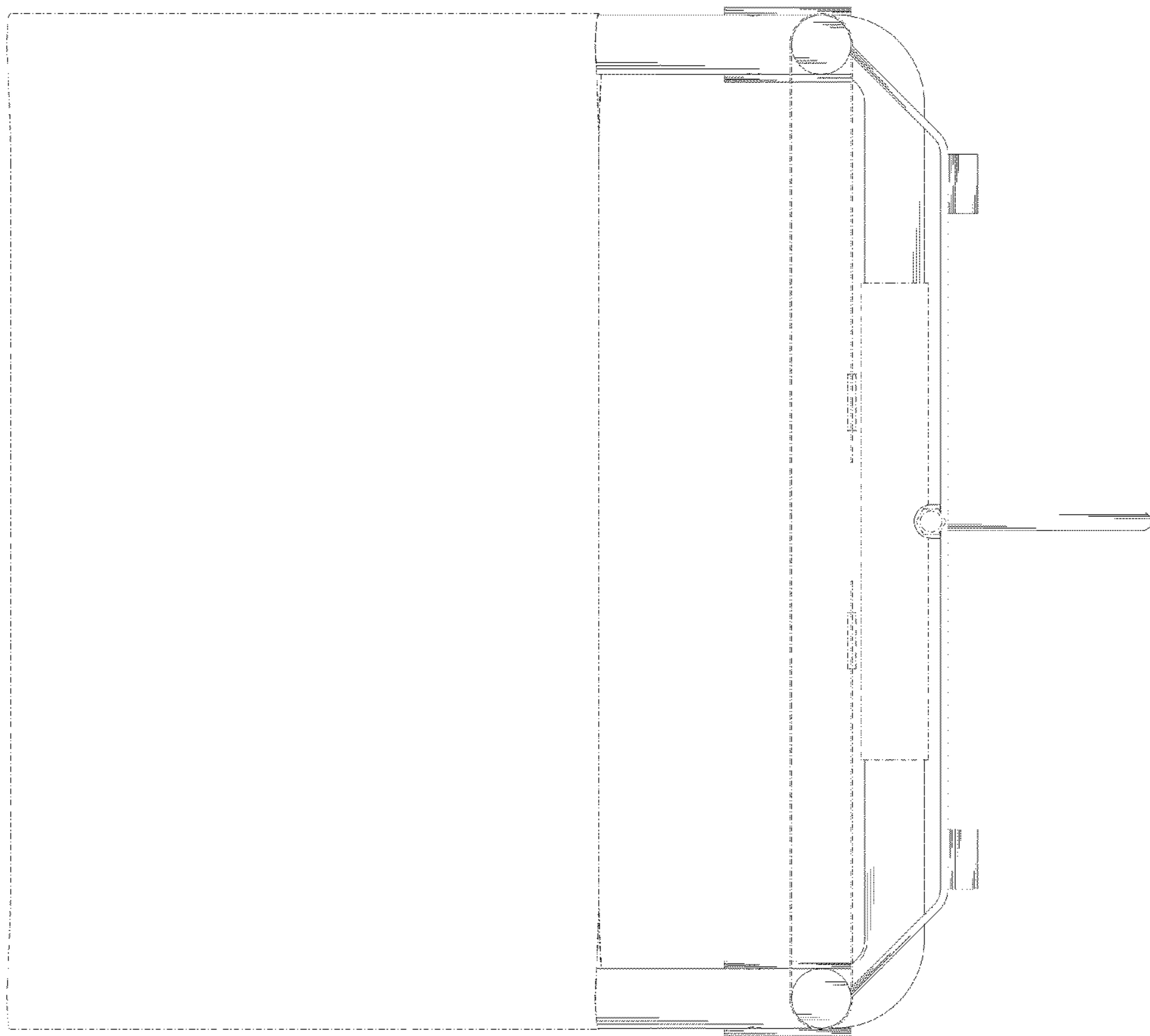


FIG. 28

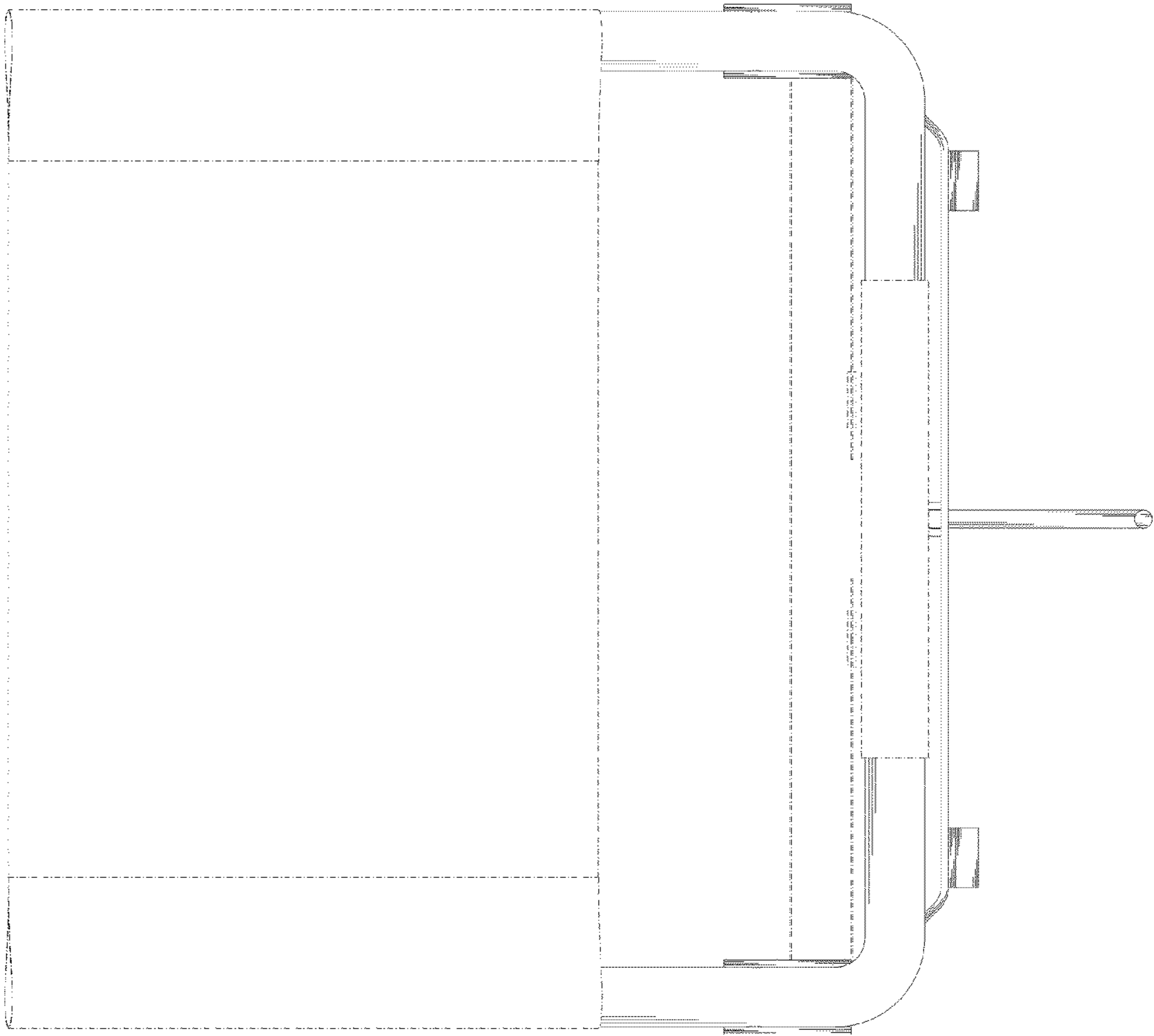


FIG. 29