



US00D737084S

(12) **United States Design Patent**  
**Bey et al.**

(10) **Patent No.:** **US D737,084 S**

(45) **Date of Patent:** **\*\* Aug. 25, 2015**

(54) **LOCKER DOOR**

(71) Applicant: **Security People, Inc.**, Petaluma, CA  
(US)

(72) Inventors: **Fadhly Bey**, San Francisco, CA (US);  
**Kelly Kodama**, Walnut Creek, CA (US);  
**Julian Peck**, San Rafael, CA (US); **Asil**  
**T. Gokcebay**, Petaluma, CA (US)

(73) Assignee: **Security People, Inc.**, Petaluma, CA  
(US)

(\*\*) Term: **14 Years**

(21) Appl. No.: **29/435,469**

(22) Filed: **Oct. 24, 2012**

**Related U.S. Application Data**

(63) Continuation-in-part of application No. 29/387,935,  
filed on Mar. 21, 2011, now Pat. No. Des. 672,585.

(51) **LOC (10) Cl.** ..... **06-06**

(52) **U.S. Cl.**

USPC ..... **D6/703**

(58) **Field of Classification Search**

USPC ..... D6/407, 626-635, 332, 432-434,  
D6/509-511, 533-559, 703; D3/273-275;  
D19/75-77; 206/232, 307.1, 308.1,  
206/308.3, 309-313; 312/9.57, 9.48, 9.55,  
312/9.64, 9.47

CPC ..... A47B 43/003; A47B 46/005

See application file for complete search history.

(56) **References Cited**

**U.S. PATENT DOCUMENTS**

D222,819 S 1/1972 Del Corno  
D271,168 S \* 11/1983 Antonczyk ..... D6/300  
D346,960 S 5/1994 Bennett  
D351,829 S 10/1994 Maines

D357,704 S \* 4/1995 Wolff ..... D19/90  
D365,482 S 12/1995 Larimore  
D381,839 S \* 8/1997 Dorigo ..... D6/661  
D394,959 S \* 6/1998 Kwan ..... D6/314  
6,082,581 A 7/2000 Anderson et al.  
D432,341 S 10/2000 Shimbo et al.  
6,155,410 A 12/2000 Davis  
D439,652 S 3/2001 Schonberger et al.  
D465,689 S 11/2002 Kondo  
D499,972 S 12/2004 van de Wiel et al.  
D518,673 S 4/2006 Millstein  
D528,297 S 9/2006 Feldmann et al.  
D529,087 S 9/2006 Dixon  
D531,075 S 10/2006 Vantine  
D557,546 S 12/2007 Gelardi et al.  
D558,503 S 1/2008 Hurley  
D584,552 S \* 1/2009 Brinson et al. .... D6/559  
D600,964 S 9/2009 Elia et al.  
D620,976 S 8/2010 Dietrich

(Continued)

*Primary Examiner* — Kelley Donnelly

(74) *Attorney, Agent, or Firm* — Thomas M. Freiburger

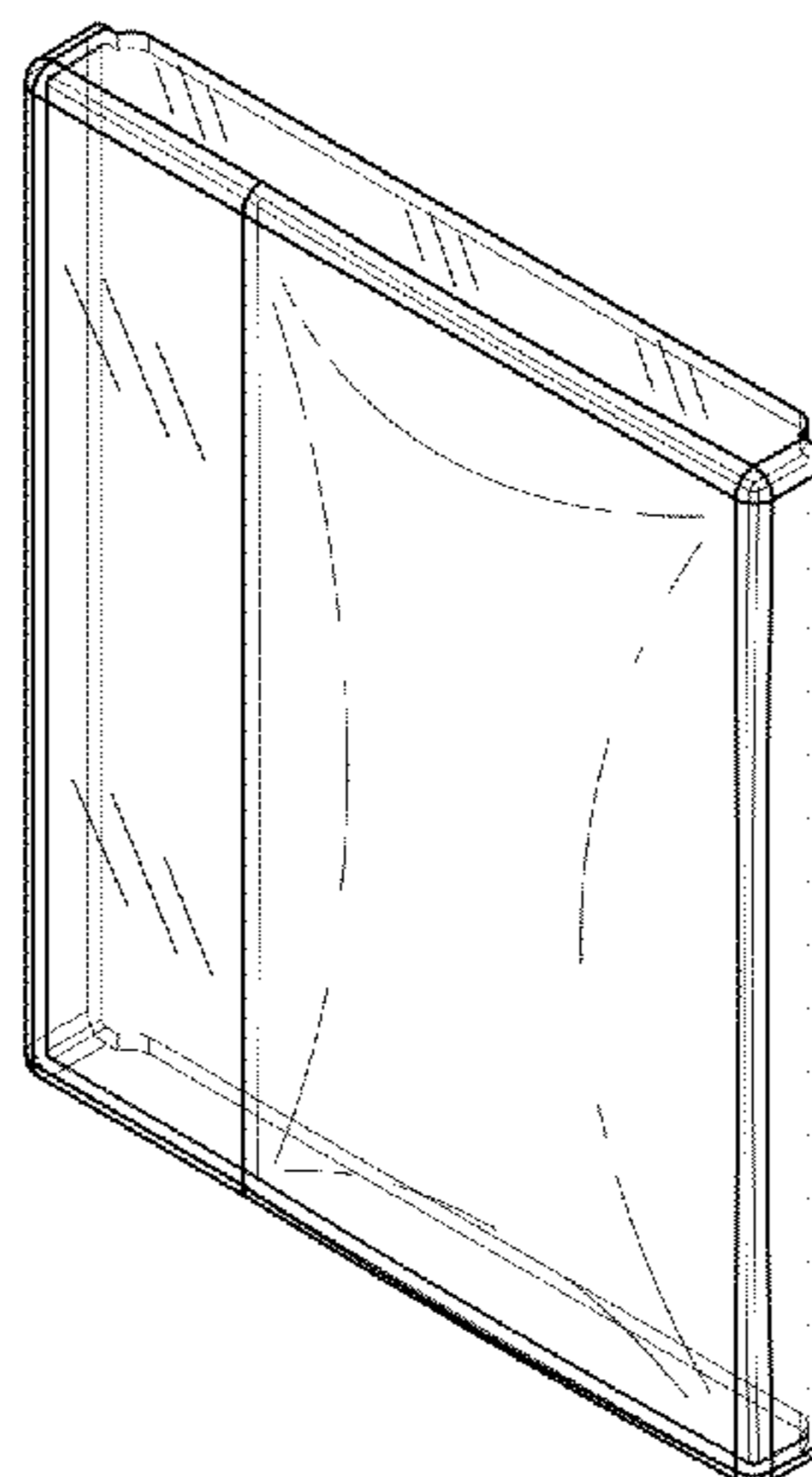
(57) **CLAIM**

The ornamental design for a locker door, substantially as  
shown and described.

**DESCRIPTION**

FIG. 1 is a front perspective view of a first embodiment of a  
locker door according to my new design;  
FIG. 2 is a top plan view thereof, the bottom view being a  
mirror image;  
FIG. 3 is a rear elevational view thereof;  
FIG. 4 is a left side view thereof;  
FIG. 5 is a right side view thereof;  
FIG. 6 is a front perspective view of a second embodiment of  
a locker door according to my new design;  
FIG. 7 is a top plan view thereof;  
FIG. 8 is a rear elevation view thereof;  
FIG. 9 is a left side view thereof; and,  
FIG. 10 is a right side view thereof.

**1 Claim, 2 Drawing Sheets**



(56)

**References Cited**

U.S. PATENT DOCUMENTS

D626,769 S 11/2010 Rogers  
D635,380 S 4/2011 Kim  
D637,648 S 5/2011 Ringl  
D648,970 S 11/2011 Zealer  
D656,768 S 4/2012 Zealer

D656,770 S 4/2012 Zealer  
D661,519 S 6/2012 James et al.  
D665,215 S 8/2012 Zealer  
D665,216 S 8/2012 Zealer  
D665,217 S 8/2012 Zealer  
D704,957 S \* 5/2014 Dimitrakos ..... D6/559  
D725,657 S \* 3/2015 Glasgow ..... D14/400  
D726,190 S \* 4/2015 Lee et al. .... D14/440

\* cited by examiner

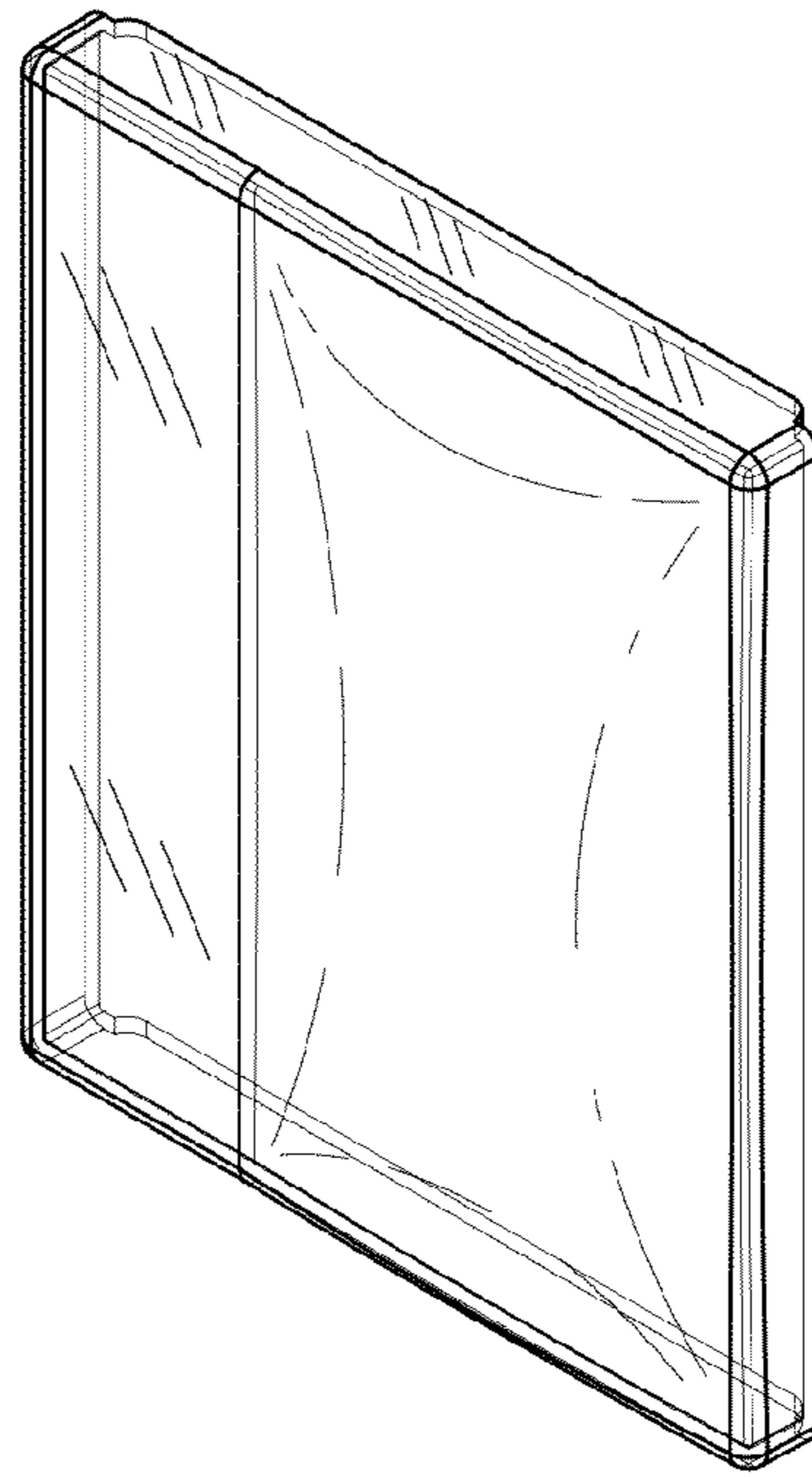


Fig. 1

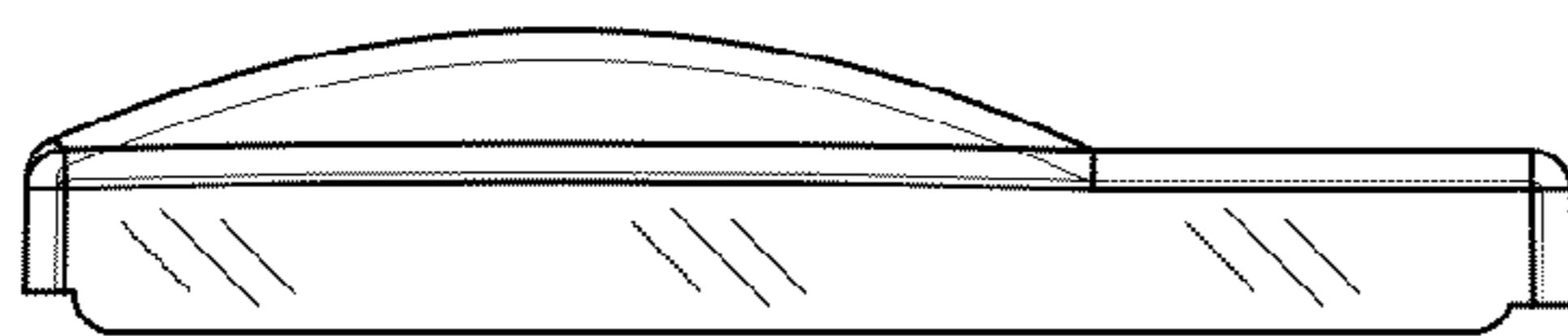


Fig. 2

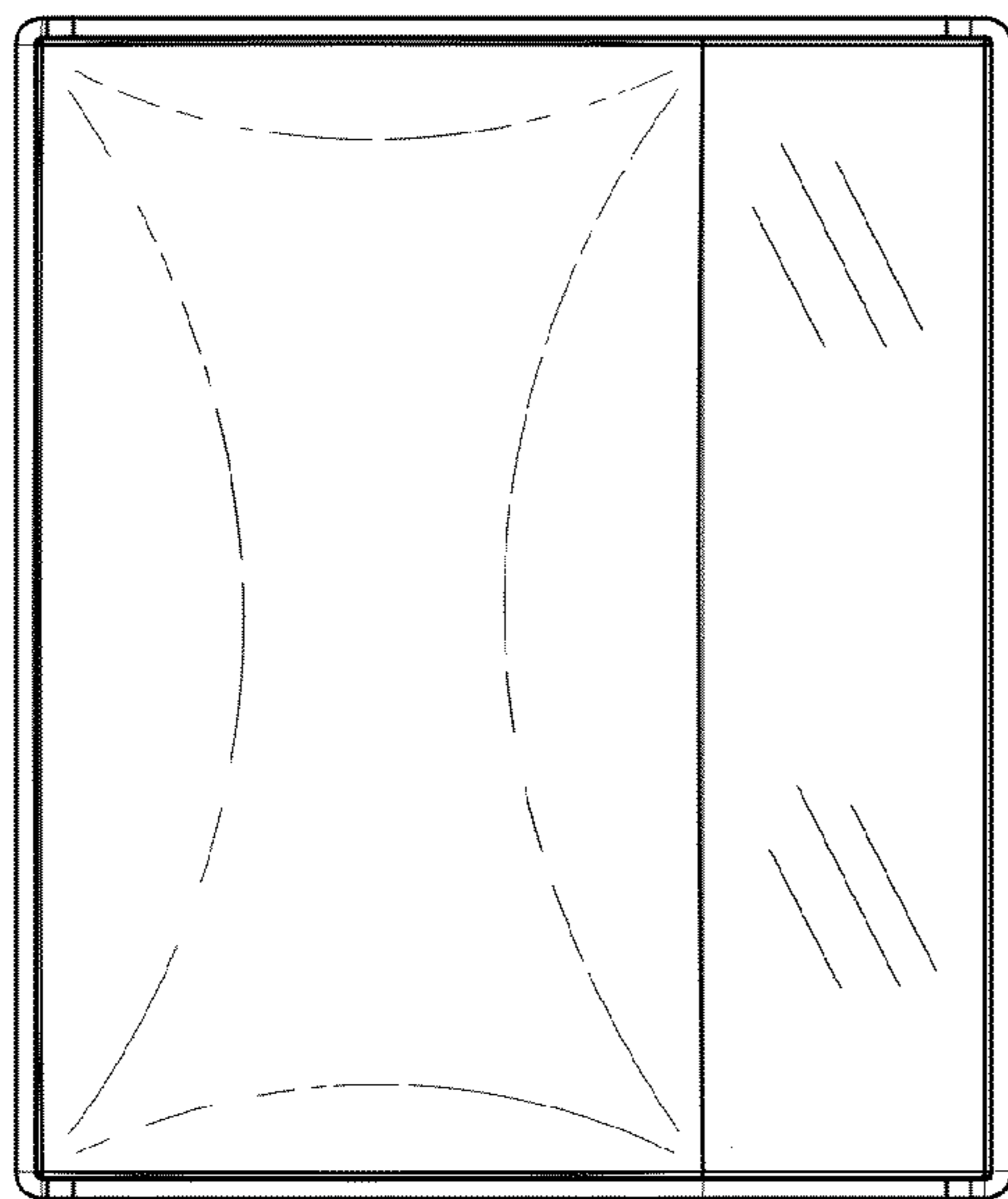


Fig. 3

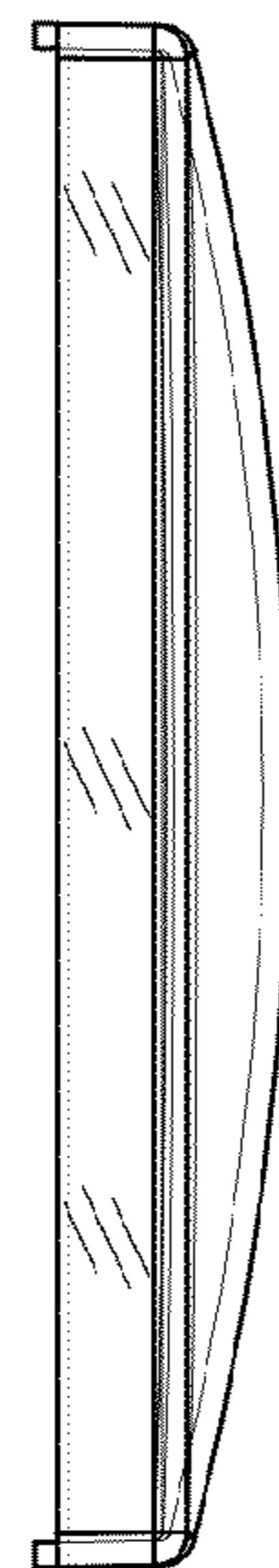


Fig. 4

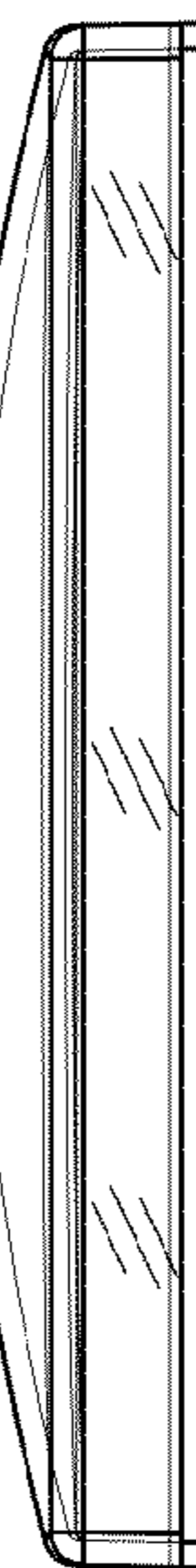


Fig. 5



Fig. 7

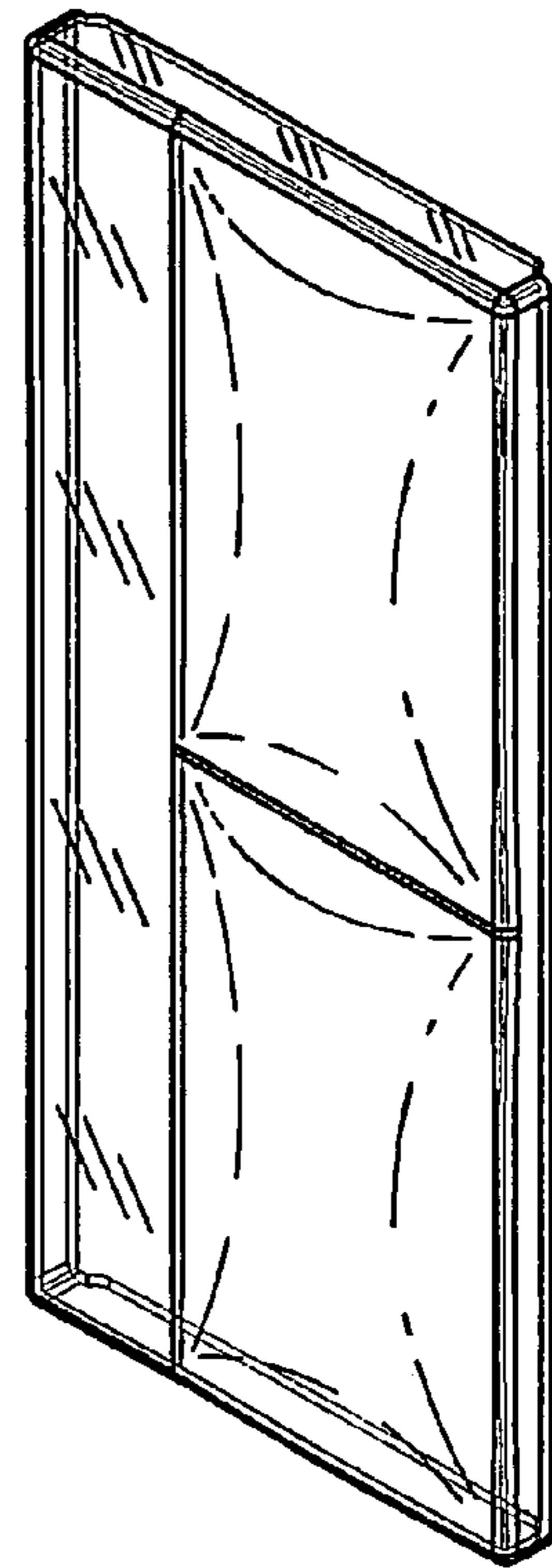


Fig. 6

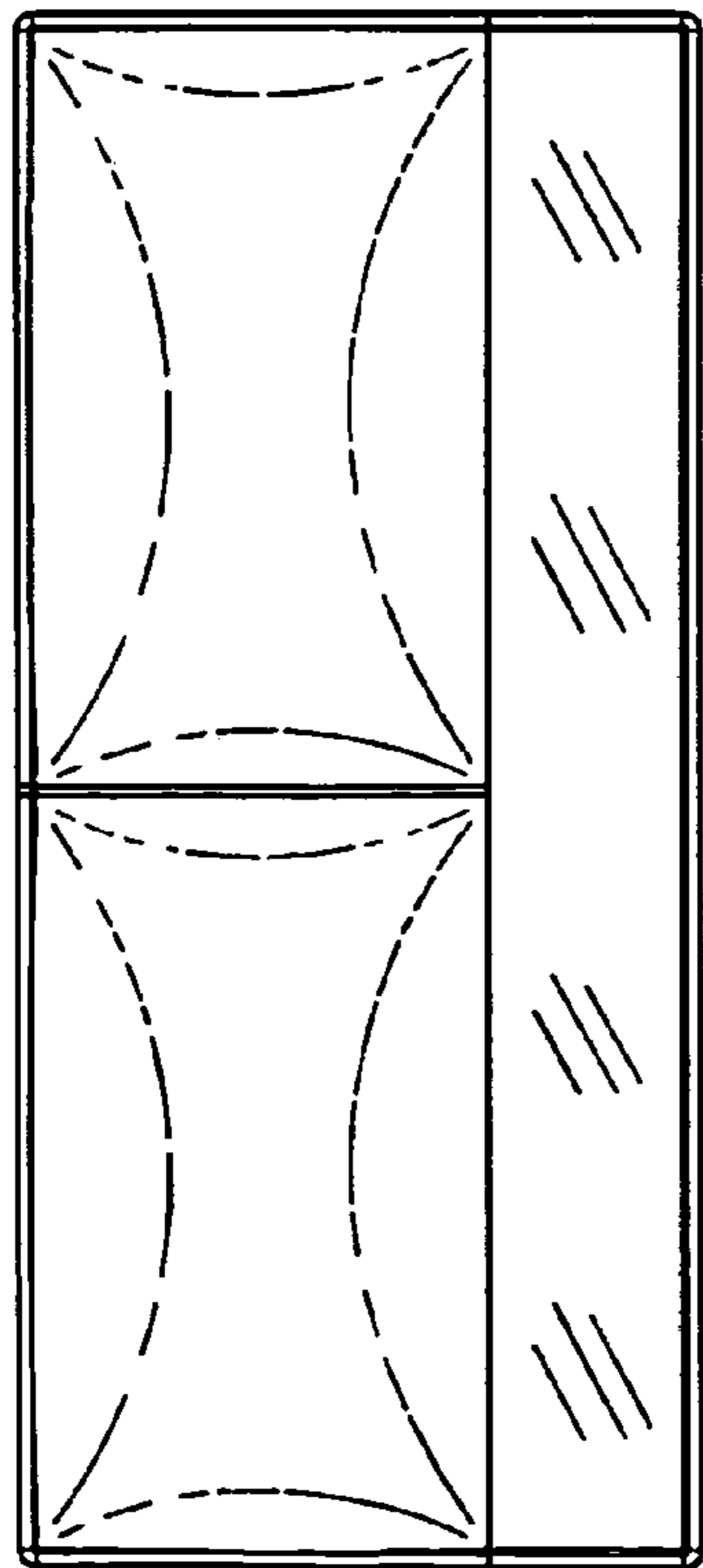


Fig. 8

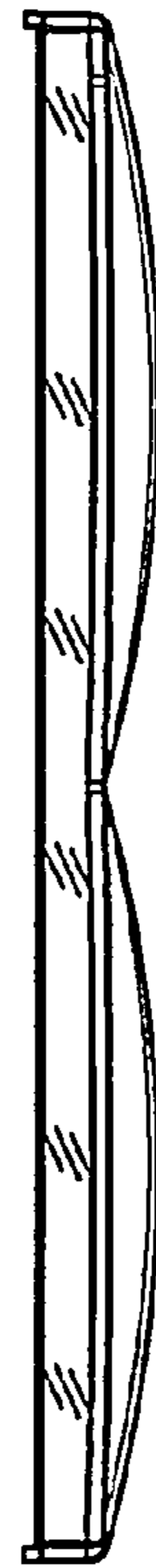


Fig. 9



Fig. 10