

US00D737082S

(12) **United States Design Patent**
Parisi

(10) **Patent No.:** **US D737,082 S**

(45) **Date of Patent:** **** Aug. 25, 2015**

(54) **TABLE**

(71) Applicant: **QubicaAMF Worldwide, LLC**,
Mechanicsville, VA (US)

(72) Inventor: **Tommaso Parisi**, Bologna (IT)

(73) Assignee: **QUBICAAMF WORLDWIDE, LLC**,
Mechanicsville, VA (US)

(**) Term: **14 Years**

(21) Appl. No.: **29/479,354**

(22) Filed: **Jan. 15, 2014**

(51) **LOC (10) Cl.** **06-03**

(52) **U.S. Cl.**
USPC **D6/696.1**

(58) **Field of Classification Search**
USPC D6/693, 693.1, 695, 695.2, 695.4,
D6/696.1, 697, 697.1, 707.22, 354
CPC A47B 7/00; A47B 2021/11; A47B 13/00;
A47B 13/02; A47B 13/04; A47B 13/10;
A47B 2200/0003; A47B 13/023

See application file for complete search history.

(56) **References Cited**

U.S. PATENT DOCUMENTS

D178,425	S	*	7/1956	Pollard	D6/349
3,217,672	A	*	11/1965	Haughey	108/146
6,685,287	B1	*	2/2004	Teel	312/238
D488,647	S	*	4/2004	Ford et al.	D6/489
D543,384	S	*	5/2007	Resterhouse et al.	D6/487
D646,916	S	*	10/2011	Barrett et al.	D6/511

* cited by examiner

Primary Examiner — Janice Seeger

(74) *Attorney, Agent, or Firm* — Andrew M. Calderon;
Roberts Mlotkowski Safran & Cole, P.C.

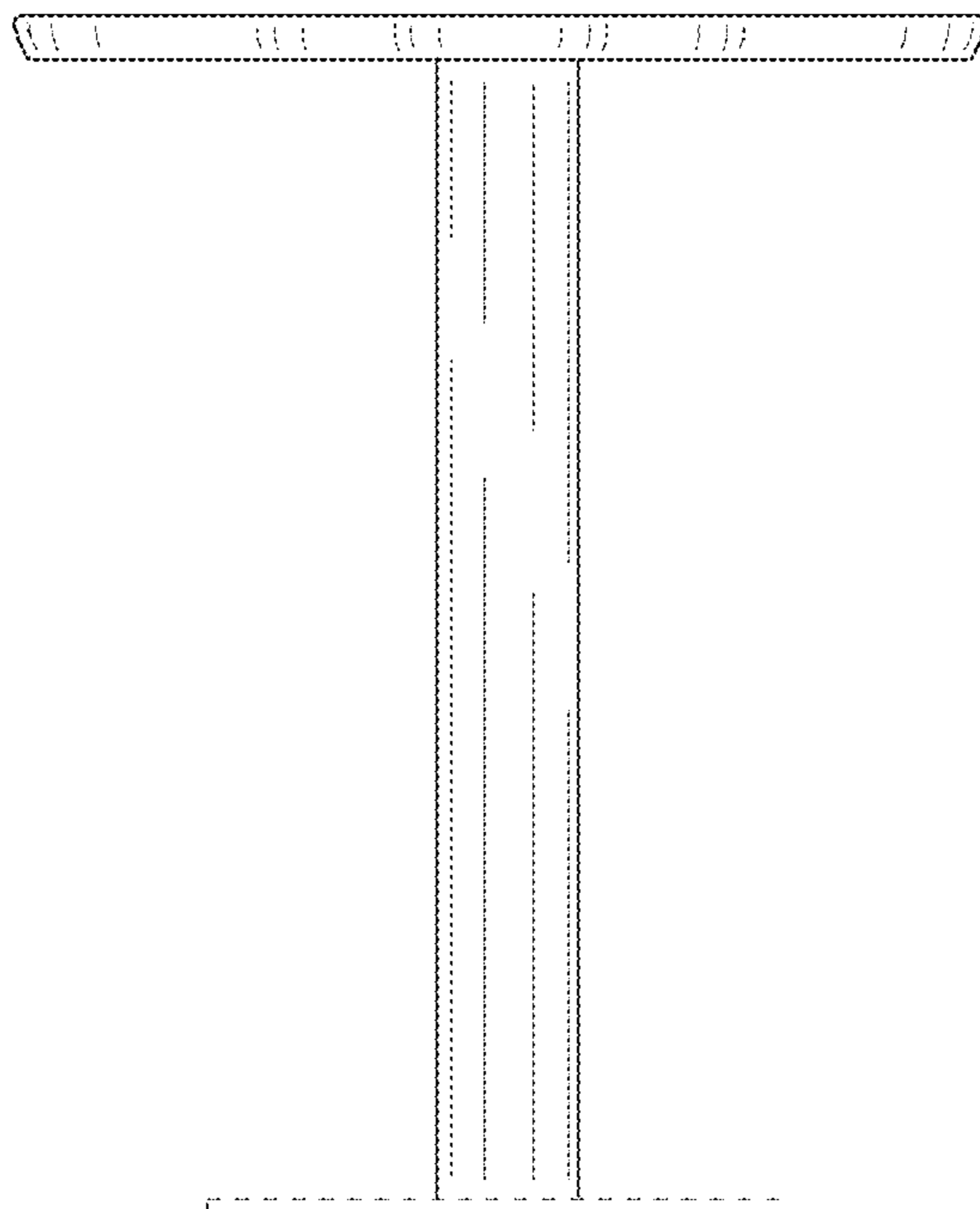
(57) **CLAIM**

I claim the ornamental design for a table, as shown and described.

DESCRIPTION

FIG. 1 is a front view of a table;
FIG. 2 is a rear view of the table;
FIG. 3 is a side view of the table;
FIG. 4 is a top view of the table;
FIG. 5 is a bottom view of the table; and,
FIG. 6 is a perspective view of the table.
Applicant notes that the table as shown in FIG. 3 can be representative of a left or right side view of the table. Any subject matter shown in dashed lines, and any surfaces of the design not shown, including interior surfaces, form no part of the claimed invention.

1 Claim, 6 Drawing Sheets



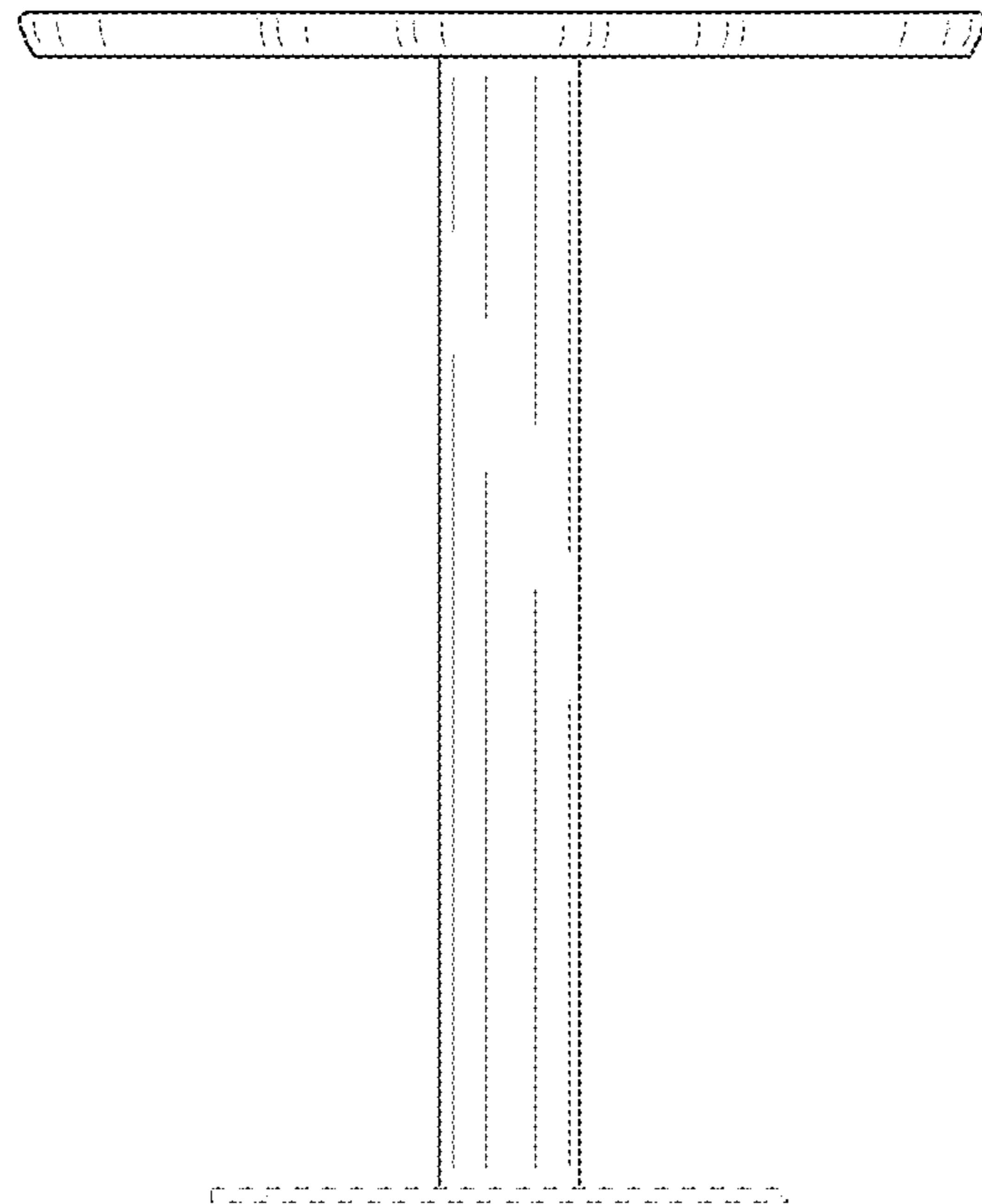


FIG. 1

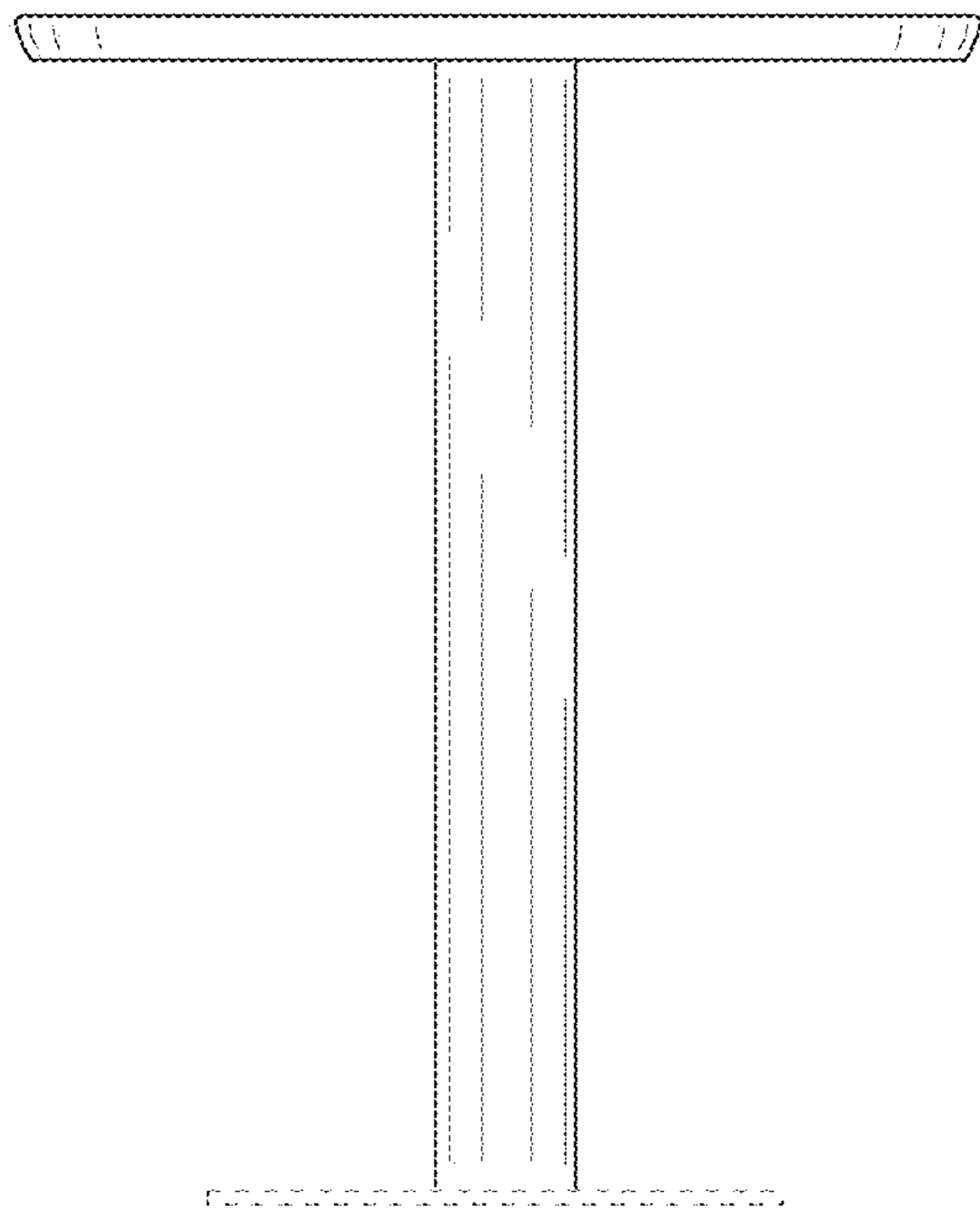


FIG. 2

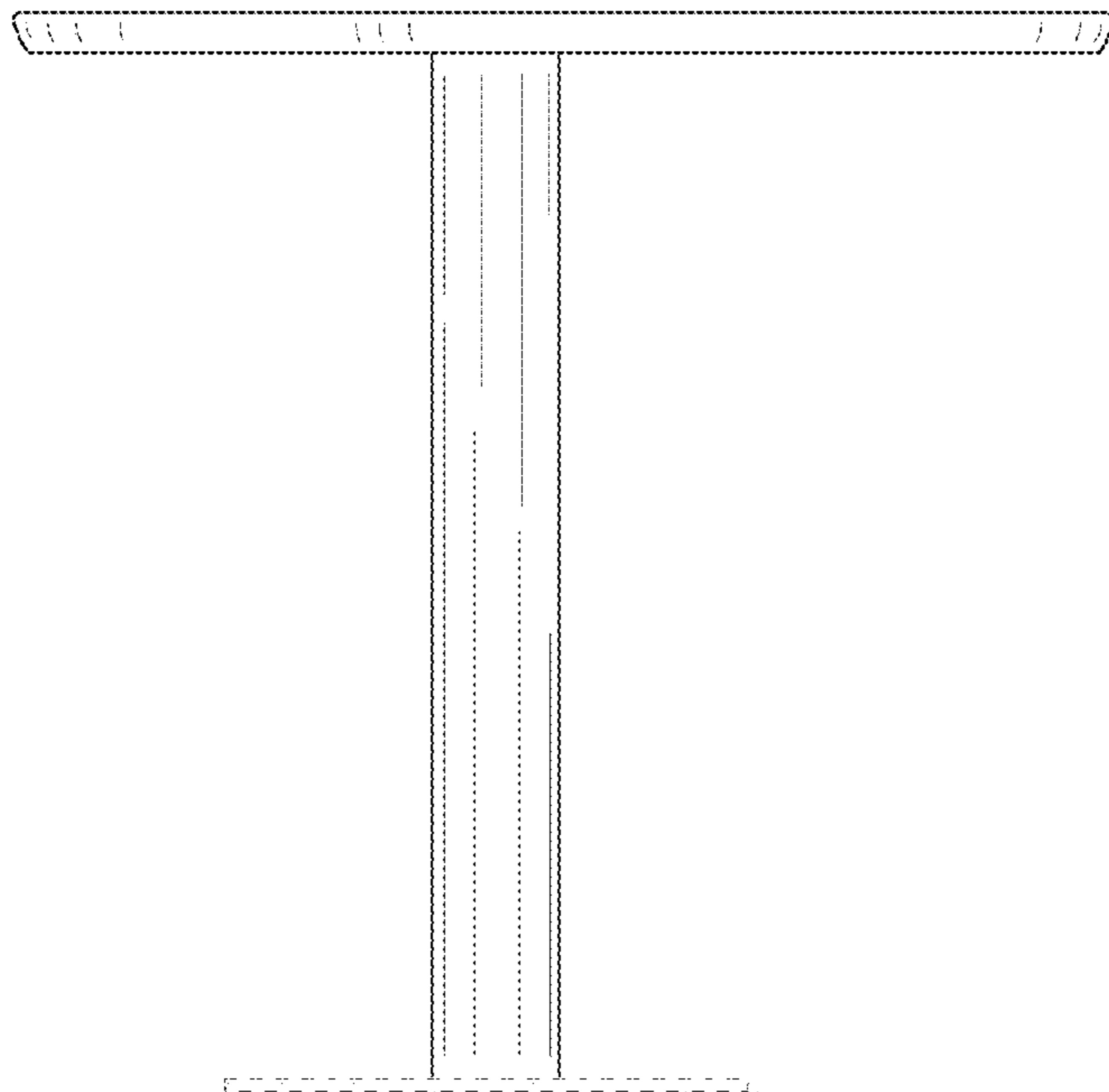


FIG. 3



FIG. 4

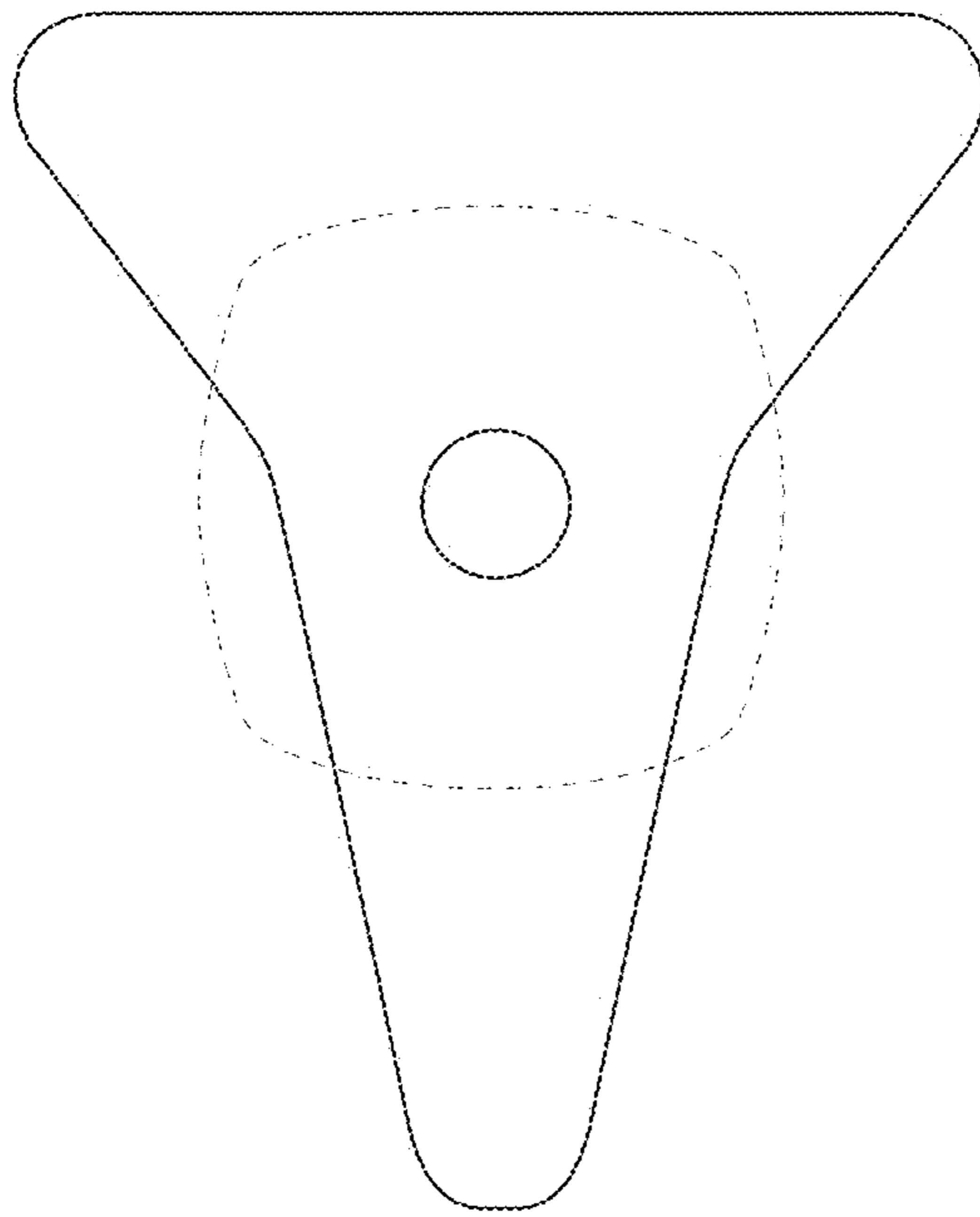


FIG. 5

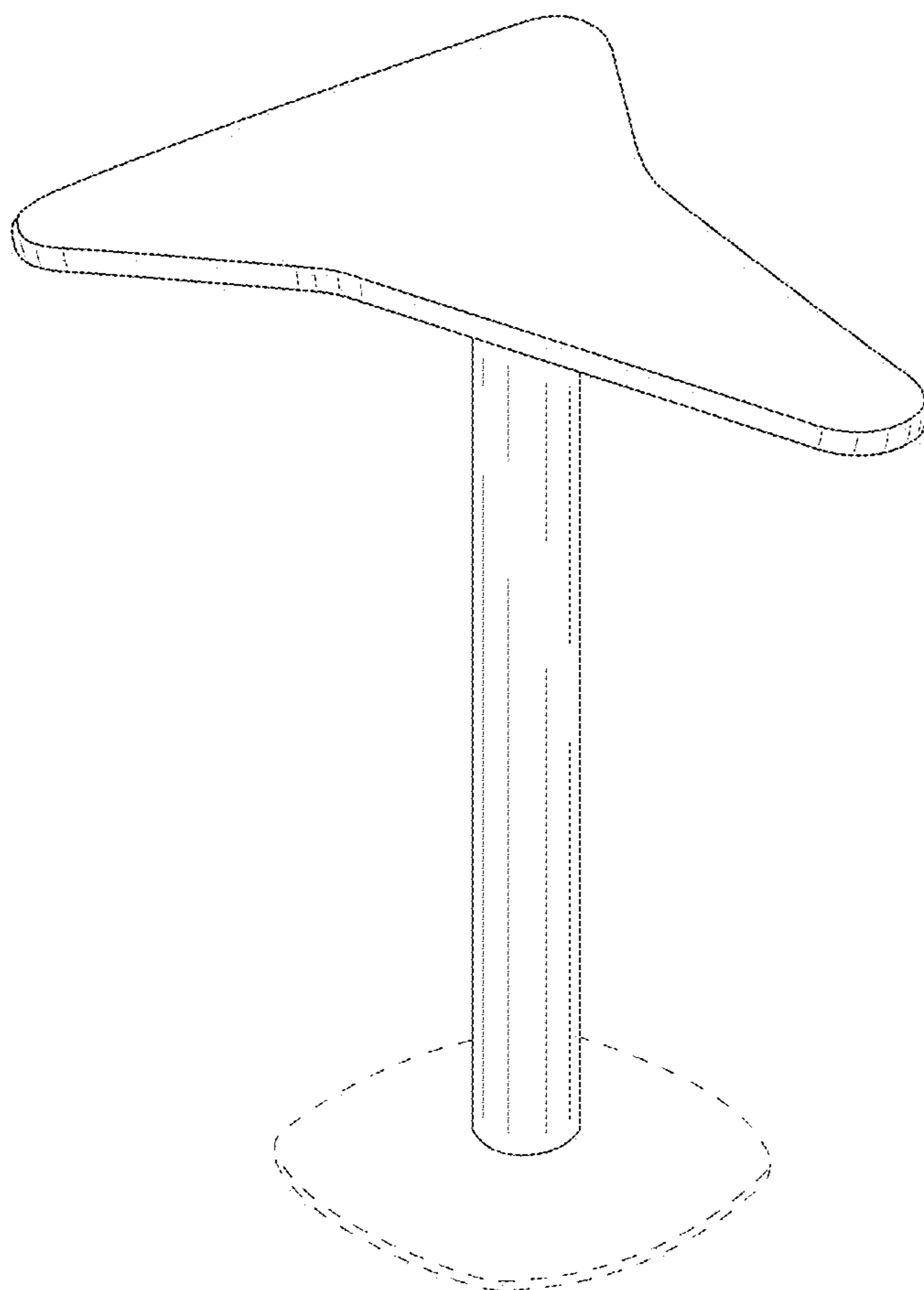


FIG. 6