



US00D737079S

(12) **United States Design Patent**
Tsai

(10) **Patent No.:** **US D737,079 S**
(45) **Date of Patent:** **** Aug. 25, 2015**

- (54) **TIERED SHELF ORGANIZER**
- (71) Applicant: **Pretty Star Store LLC**, Rowland Heights, CA (US)
- (72) Inventor: **Tsung-Yu Tsai**, Changhua (TW)
- (73) Assignee: **PRETTY STAR STORE LLC**, Rowland Heights, CA (US)
- (**) Term: **14 Years**

| | | | |
|--------------|---------|---------------------|----------|
| D518,316 S * | 4/2006 | Gusdorf et al. | D6/675.3 |
| D524,577 S * | 7/2006 | Gusdorf et al. | D6/675.3 |
| D555,936 S * | 11/2007 | King | D6/682.2 |
| D557,936 S * | 12/2007 | Van Es | D6/675.3 |
| D572,944 S * | 7/2008 | Sexton | D6/675.3 |
| D587,040 S * | 2/2009 | Goodman et al. | D6/675.3 |
| D637,016 S * | 5/2011 | Pohl | D6/675.3 |
| D644,043 S * | 8/2011 | Portnoy | D6/675.1 |
| D651,826 S * | 1/2012 | Tseng et al. | D6/675.1 |
| D666,029 S * | 8/2012 | Chen | D6/708 |
| D671,337 S * | 11/2012 | Sexton | D6/675.3 |
| D702,063 S * | 4/2014 | Helser | D6/678.2 |
| D716,590 S * | 11/2014 | Hsu et al. | D6/675.3 |
| D719,375 S * | 12/2014 | Cox | D6/552 |

- (21) Appl. No.: **29/495,084**
- (22) Filed: **Jun. 26, 2014**
- (51) **LOC (10) Cl.** **06-06**
- (52) **U.S. Cl.**
USPC **D6/675.3**
- (58) **Field of Classification Search**
USPC D6/672, 675, 675.1, 675.3; 108/11, 59, 108/65, 91-92, 96, 137; 211/42, 85, 87.01, 211/90.01, 119.003, 134
CPC A47B 63/00; A47B 73/00; A47B 73/002
See application file for complete search history.

* cited by examiner

Primary Examiner — Kelley Donnelly

(74) *Attorney, Agent, or Firm* — Muncy, Geissler, Olds & Lowe, P.C.

(57) **CLAIM**

The ornamental design for a tiered shelf organizer, as shown and described.

DESCRIPTION

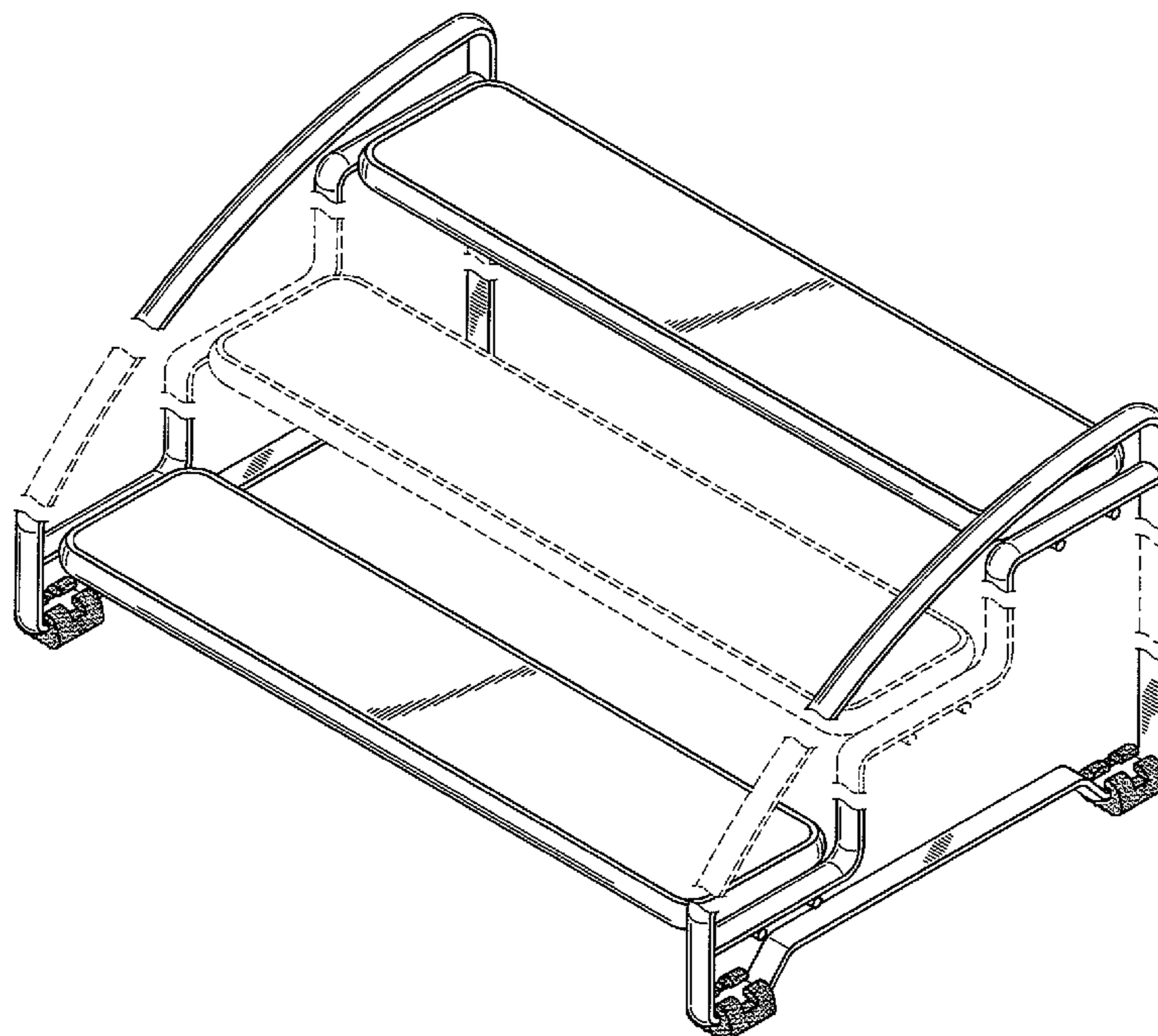
FIG. 1 is a perspective view of the present design.
 FIG. 2 is a left side view of the present design, the right view of the present design being a mirror image thereof.
 FIG. 3 is a front view of the present design.
 FIG. 4 is a rear view of the present design.
 FIG. 5 is a top view of the present design; and,
 FIG. 6 is a bottom view of the present design.
 The broken lines showing structural features are for illustrative purposes only and form no part of the claimed design.

(56) **References Cited**

U.S. PATENT DOCUMENTS

| | | | |
|---------------|---------|----------------------|----------|
| D273,919 S * | 5/1984 | Pasinski | D6/350 |
| D319,356 S * | 8/1991 | Vukelich, Sr. | D6/405 |
| D351,072 S * | 10/1994 | Emalfarb et al. | D6/405 |
| 5,357,876 A * | 10/1994 | Kniefel et al. | 108/92 |
| D471,033 S * | 3/2003 | Yamaguchi | D6/675.2 |
| D488,003 S * | 4/2004 | Malik | D6/675.1 |
| D507,431 S * | 7/2005 | Goth | D6/675.3 |

1 Claim, 6 Drawing Sheets



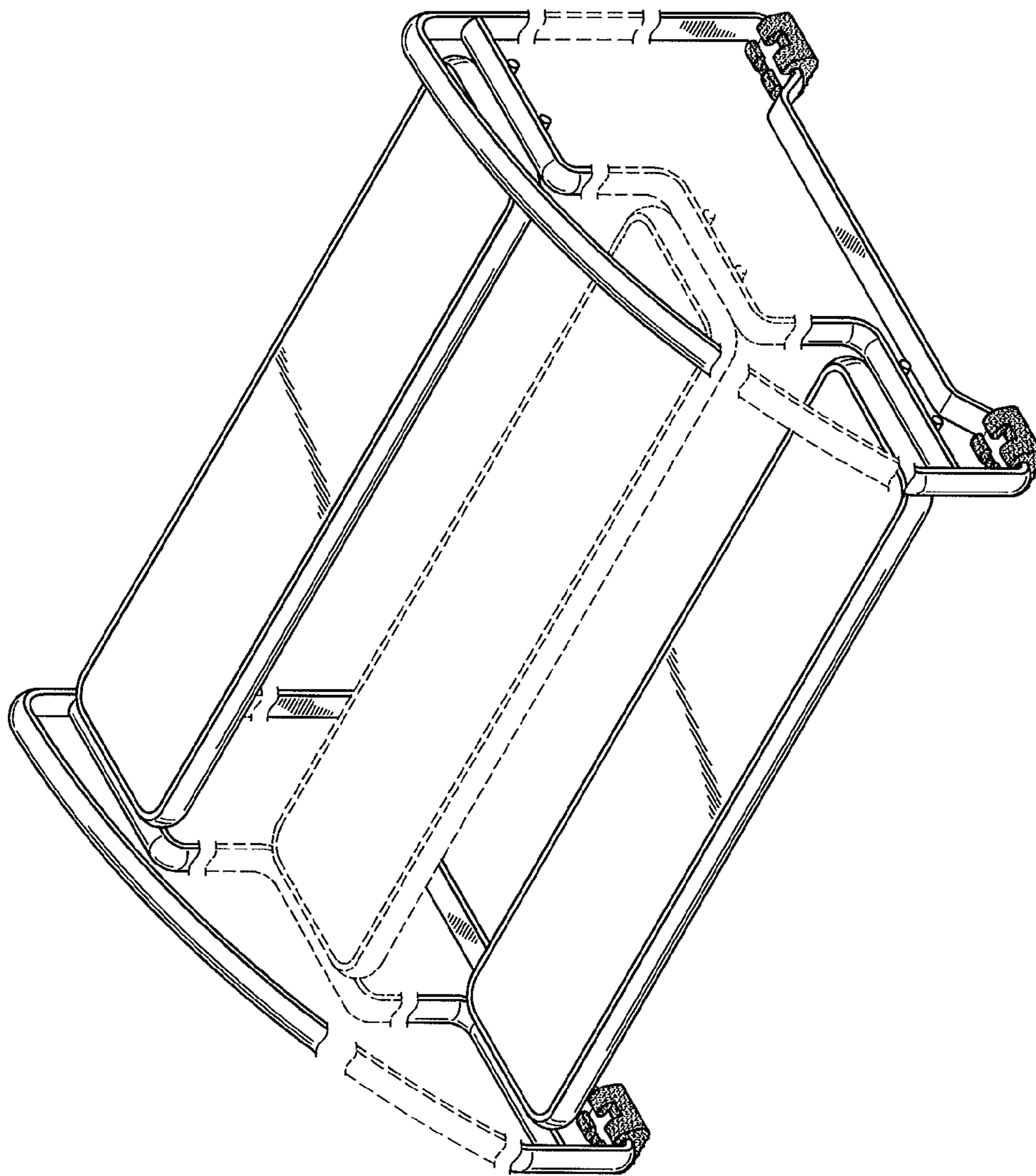


FIG. 1

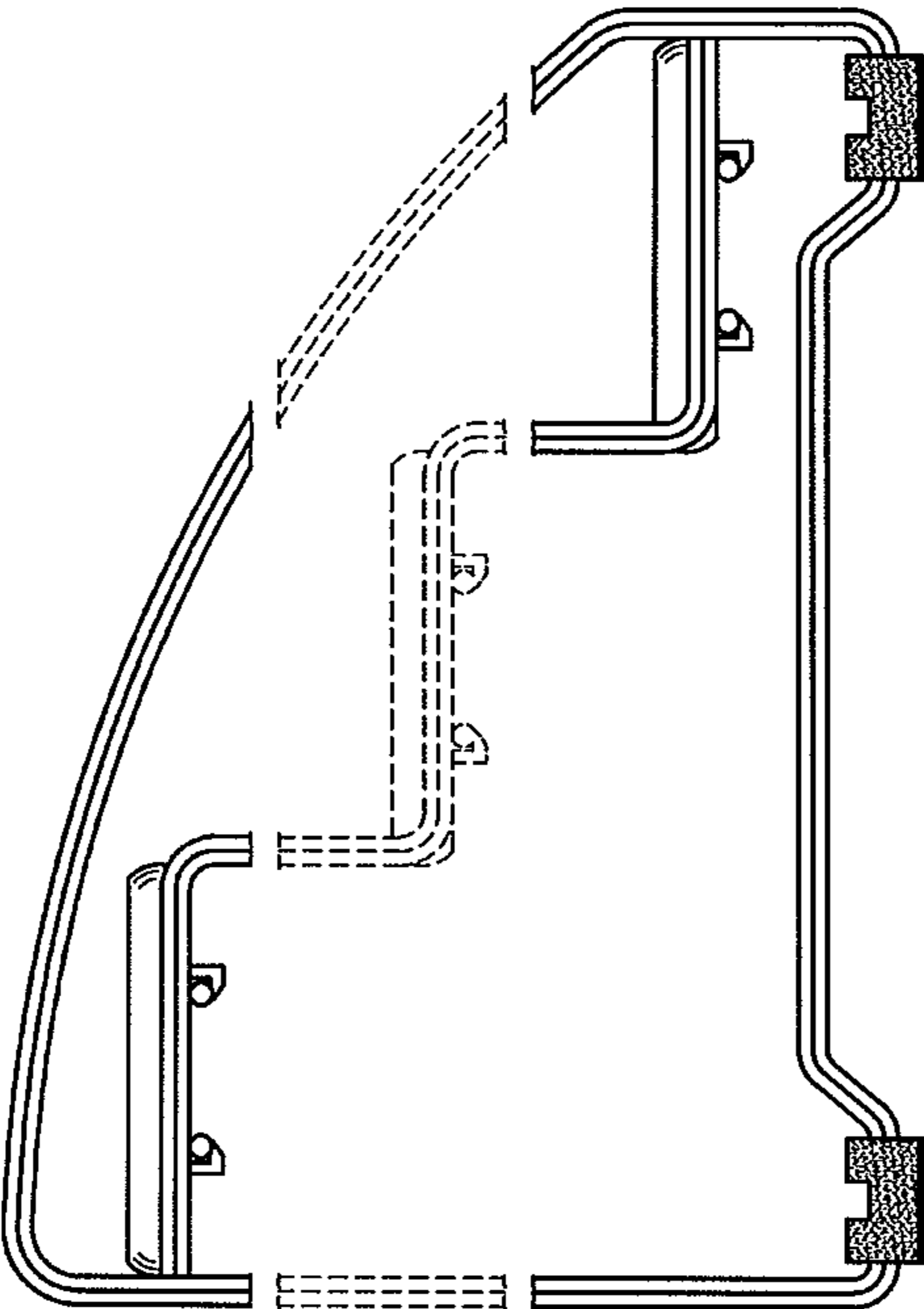


FIG. 2

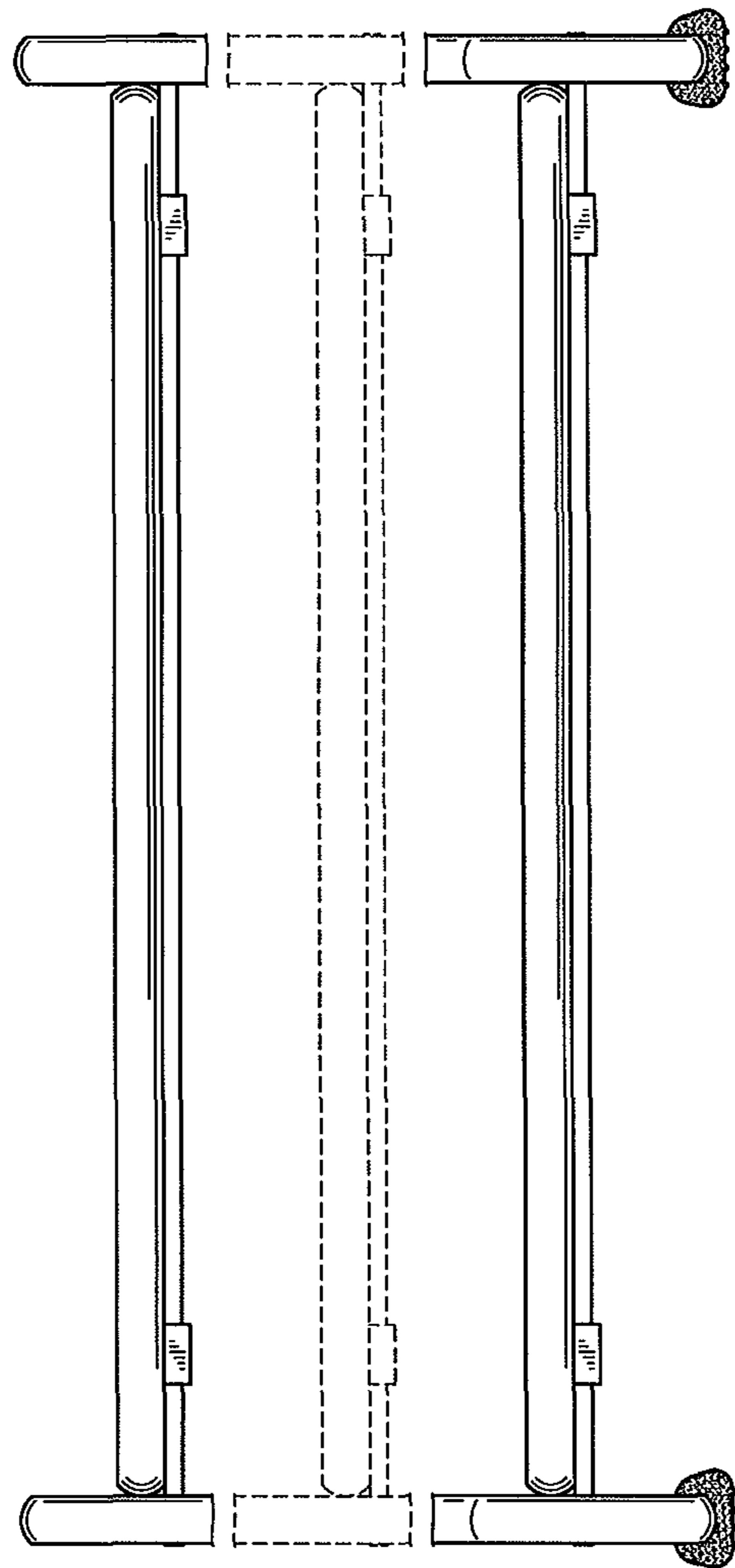


FIG. 3

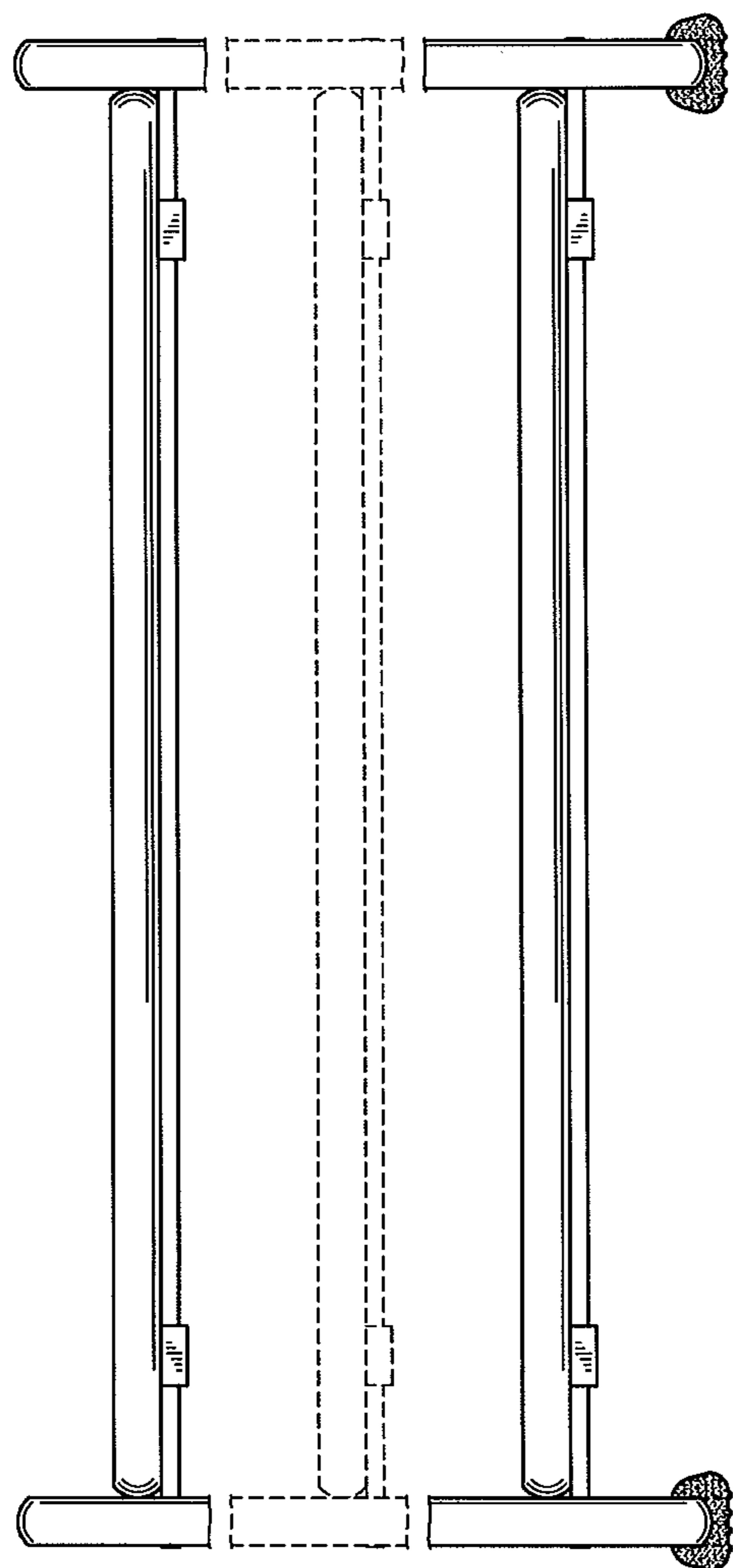


FIG. 4

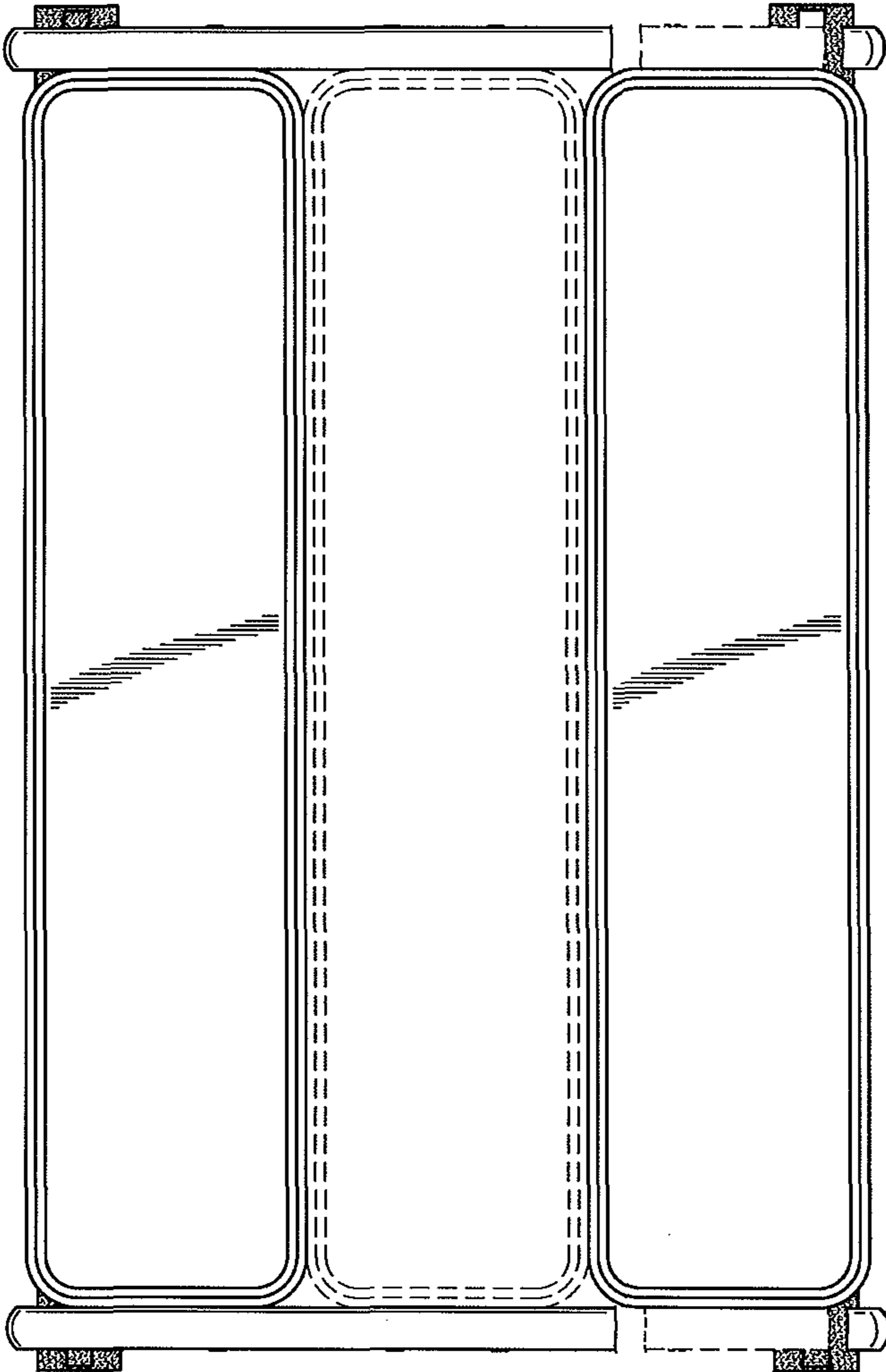


FIG. 5

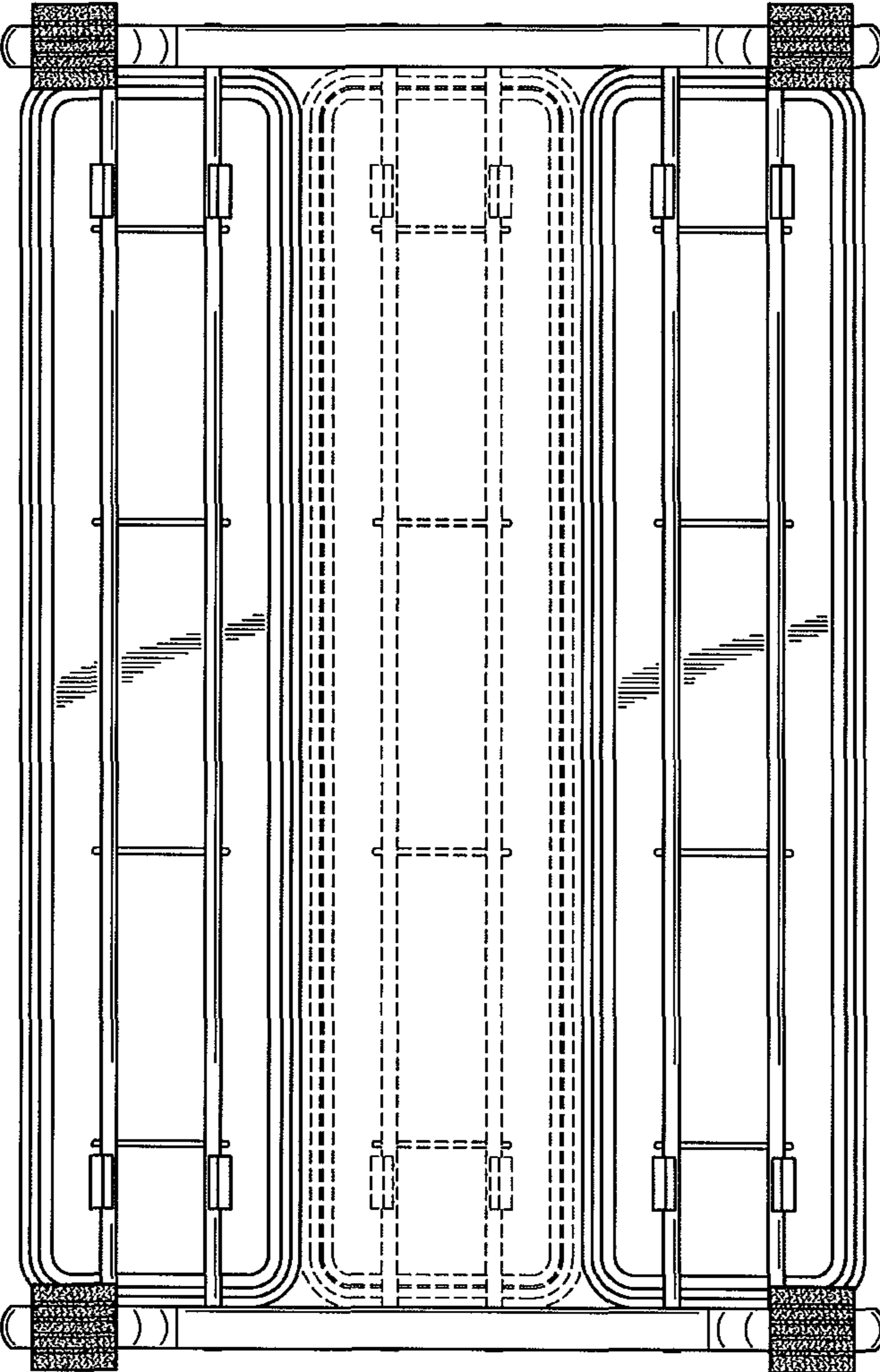


FIG. 6